

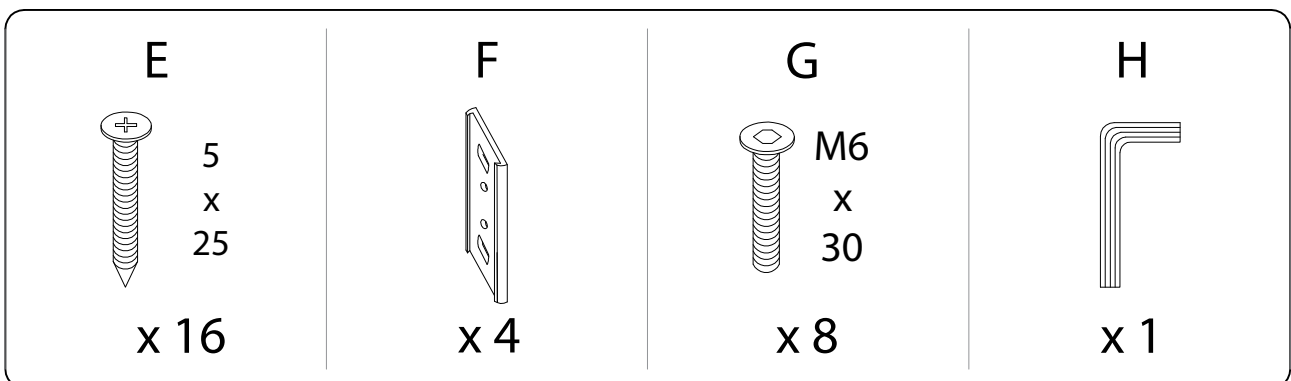
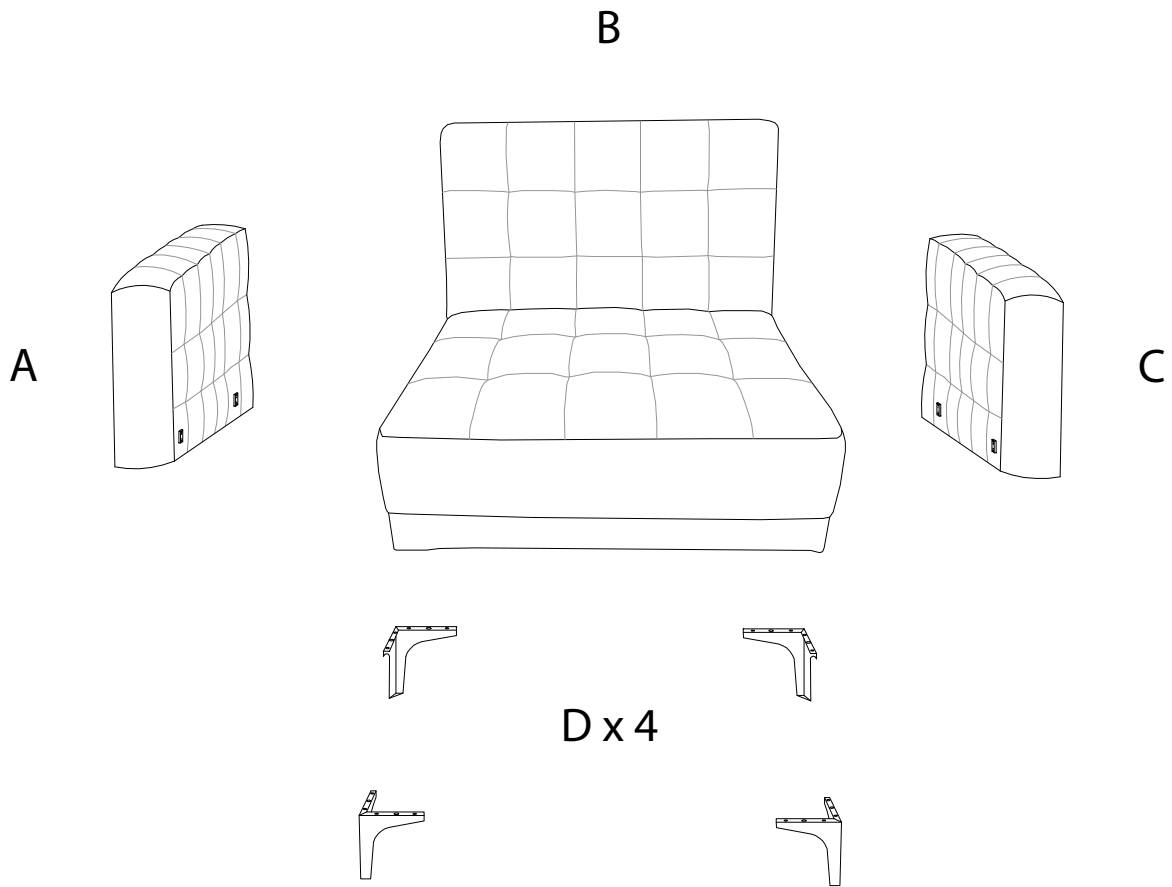
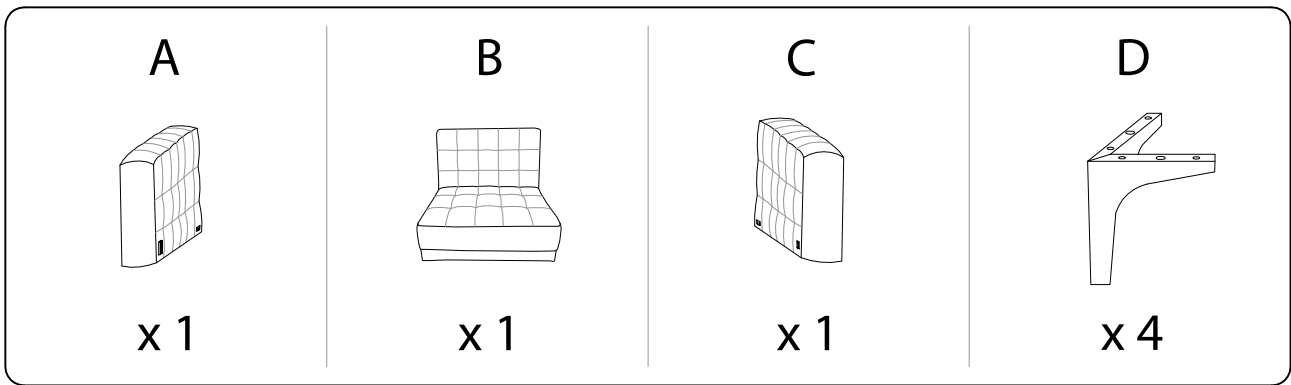
Assembly instructions for the armchair, including tool requirements, safety warnings, and personnel needs.

Tools: An icon in a circle shows an Allen key and a screwdriver. A power drill is shown with a diagonal line through it, indicating it is not required.

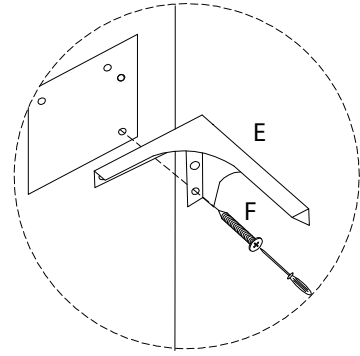
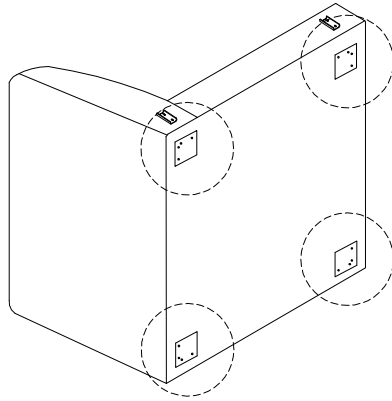
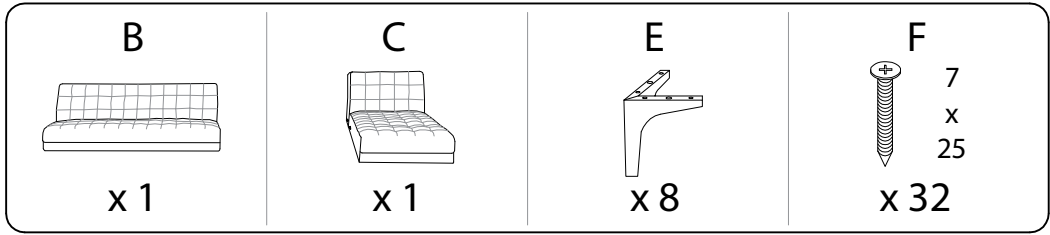
Warnings: A warning triangle with an exclamation mark is shown. A second warning triangle with an exclamation mark is also present.

Time: A clock icon indicates an estimated assembly time of **30'**.

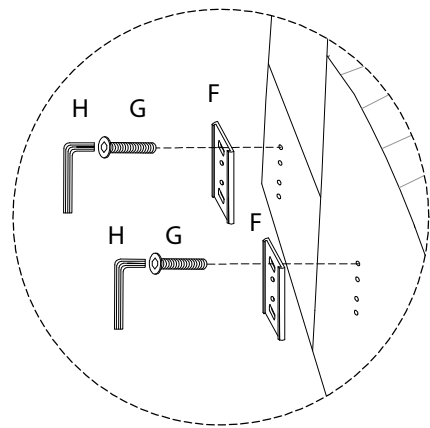
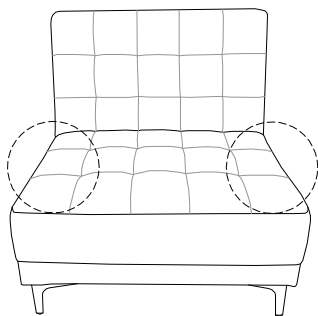
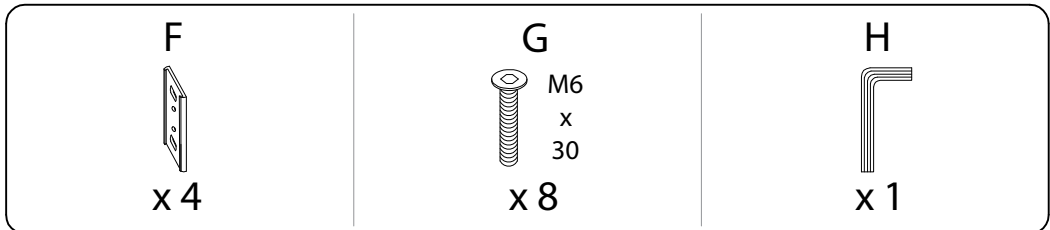
Personnel: An icon of a person and the number **2** indicate that two people are required for assembly.



1



2



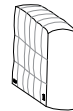
3

A



x 1

B



x 1

