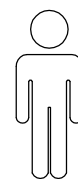
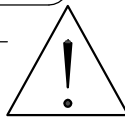
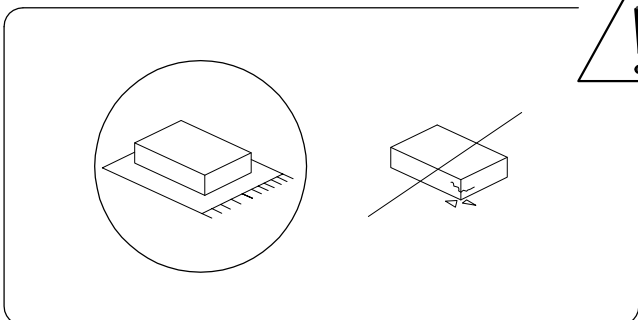
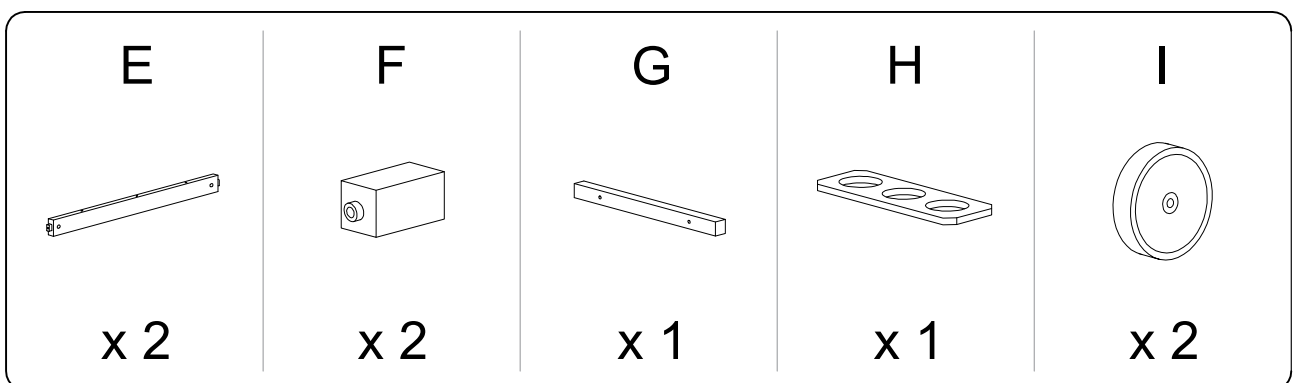
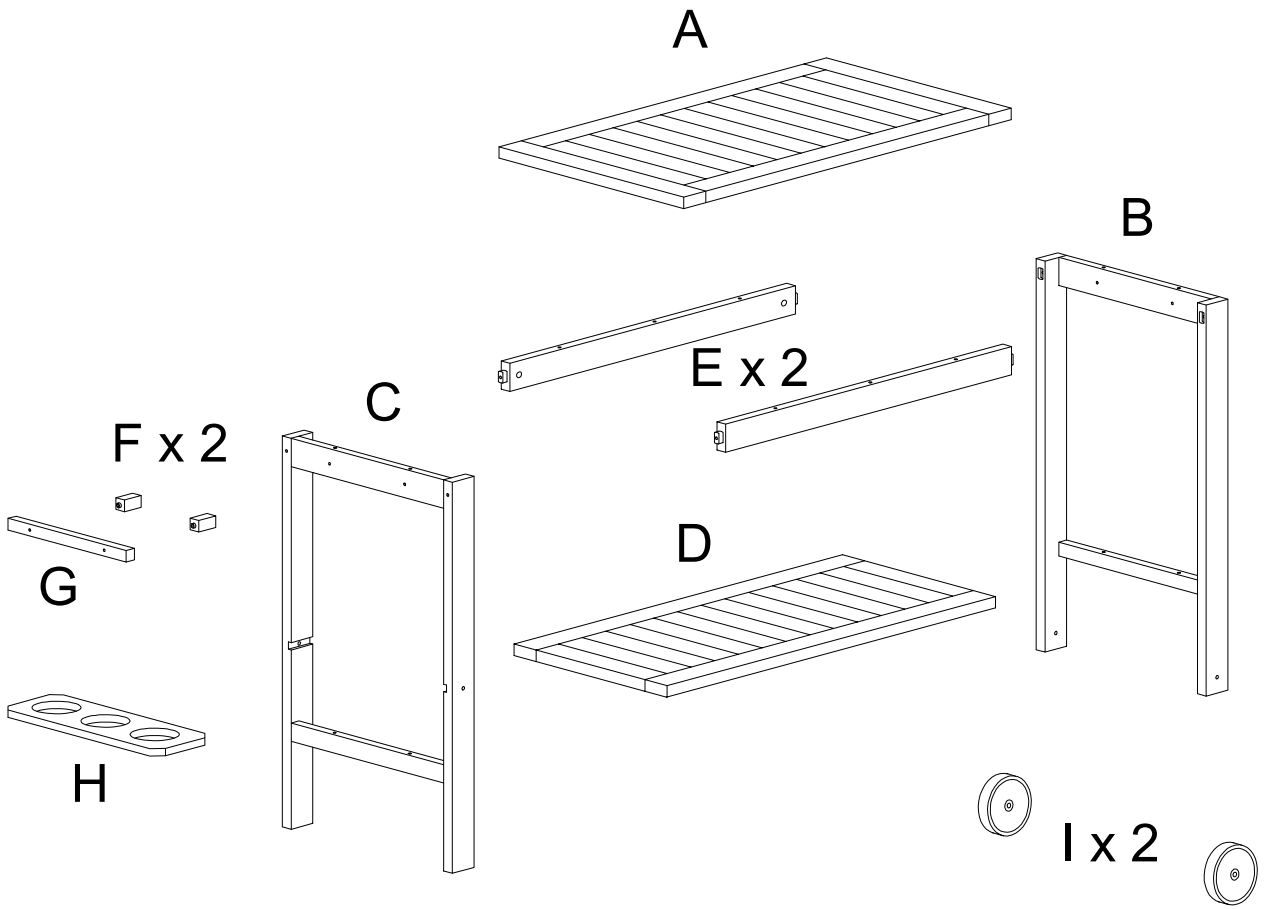
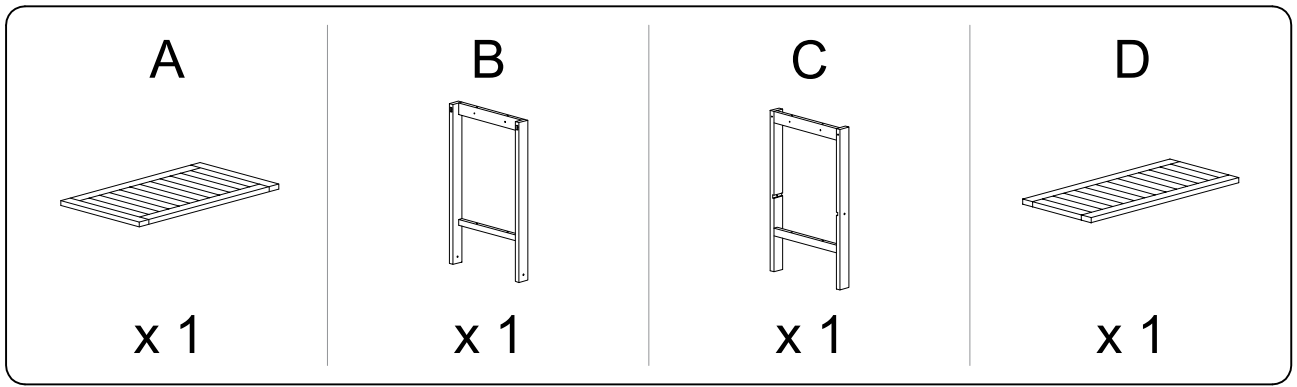


40'

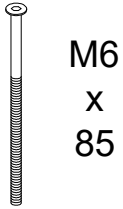


1

1/6



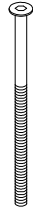
J



M6  
x  
85

x 4

K



M6  
x  
75

x 2

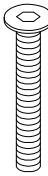
L



M6  
x  
60

x 12

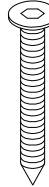
M



M6  
x  
40

x 4

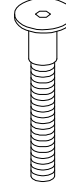
N



6  
x  
40

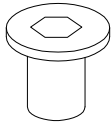
x 2

O



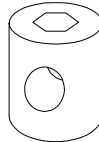
x 2

P



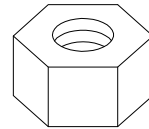
x 2

Q



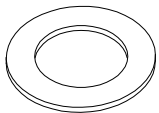
x 4

R



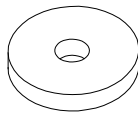
x 2

S



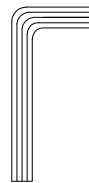
x 2

T



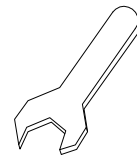
x 2

U



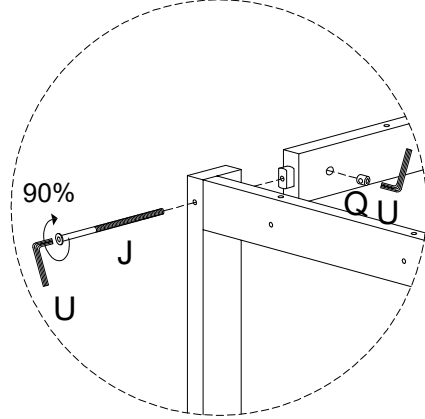
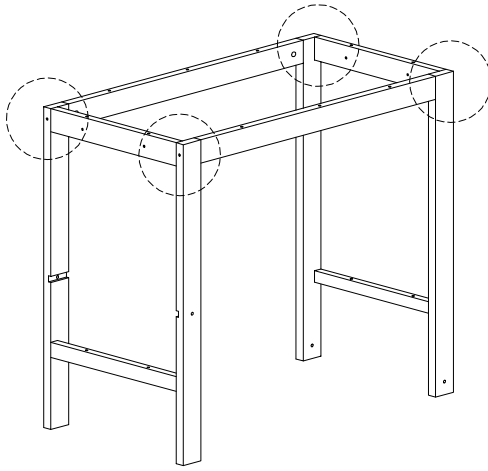
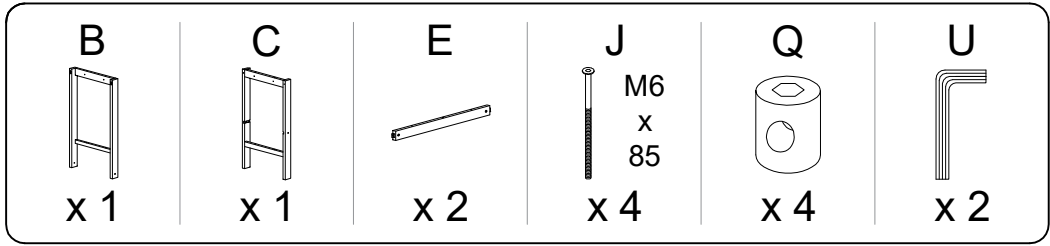
x 2

V

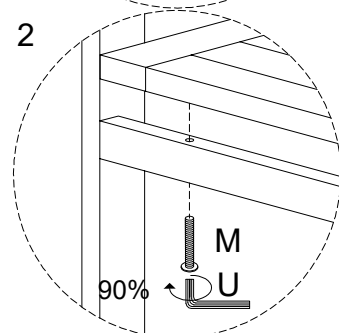
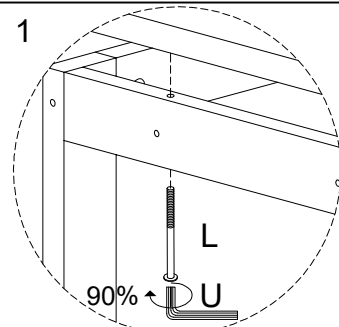
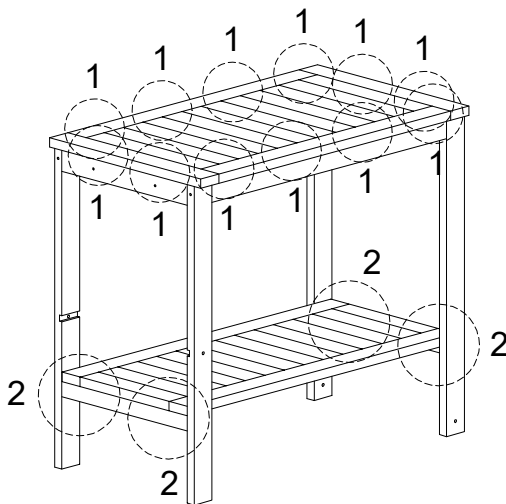
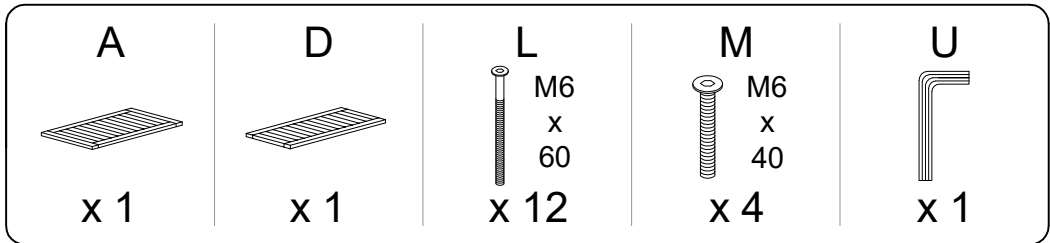


x 1

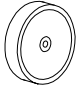
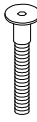
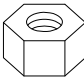



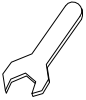
1

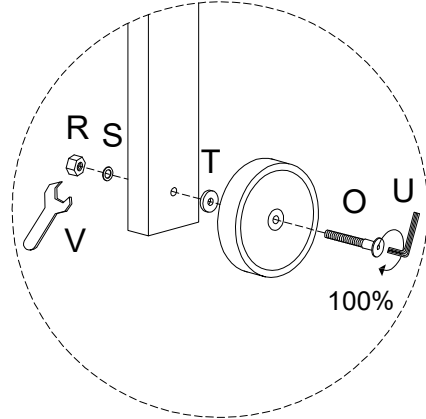
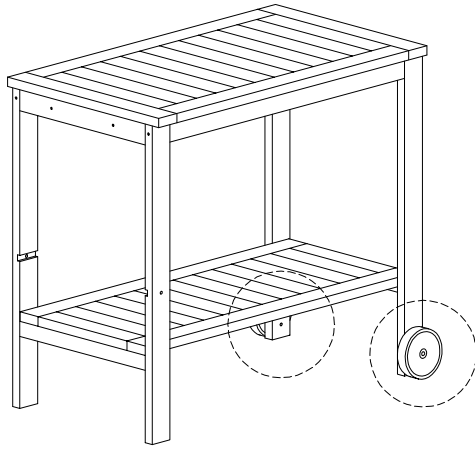


2

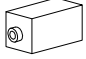
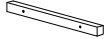


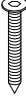
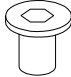



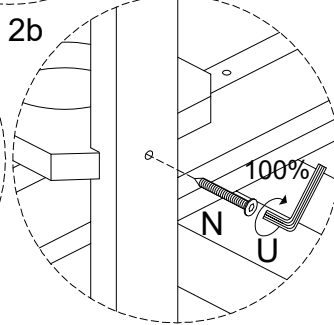
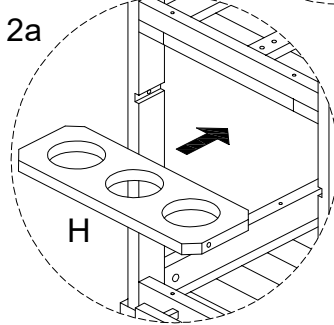
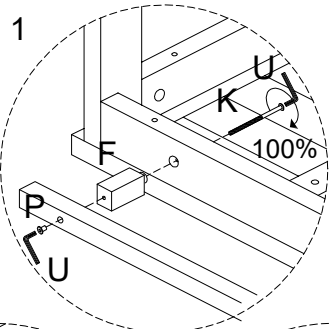
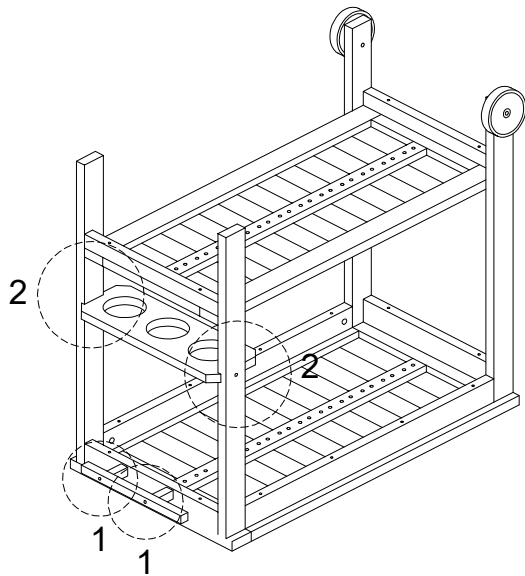
3

I	O	R	S	T	U	V
						
x 2	x 2	x 2	x 2	x 2	x 1	x 1



4

F	G	H	K	N	P	U
			 M6 x 75	 6 x 40		
x 2	x 1	x 1	x 2	x 2	x 2	x 2



5

U  
x 2

