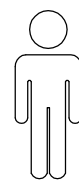
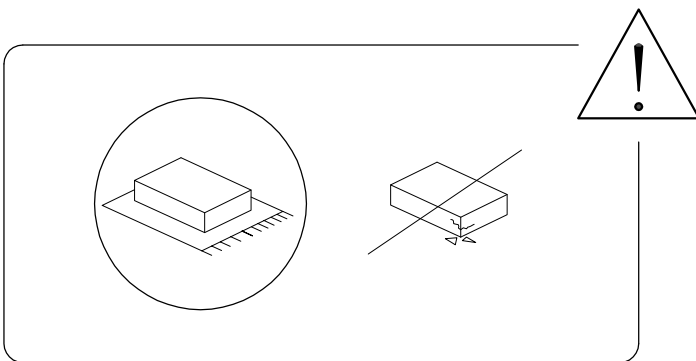
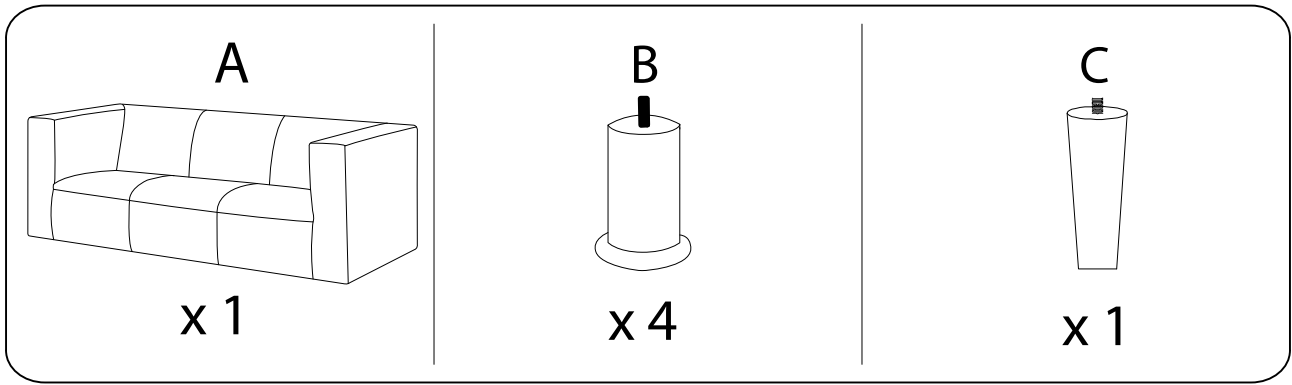


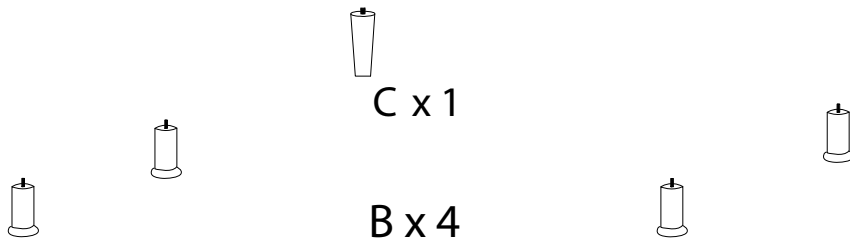
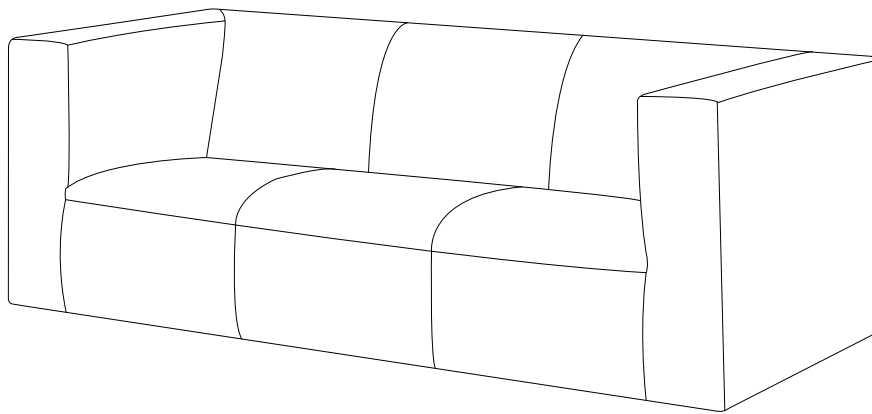
10'



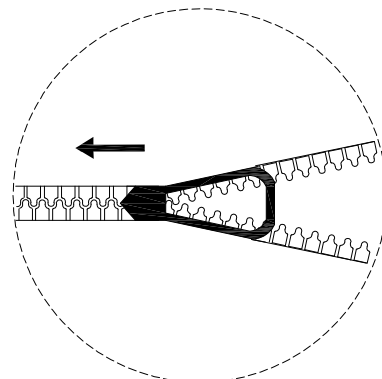
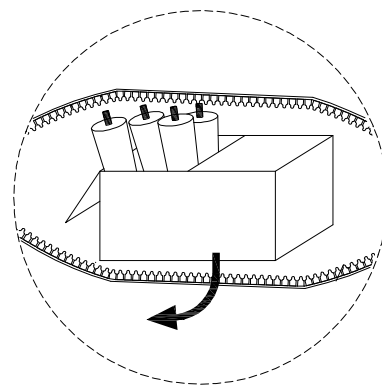
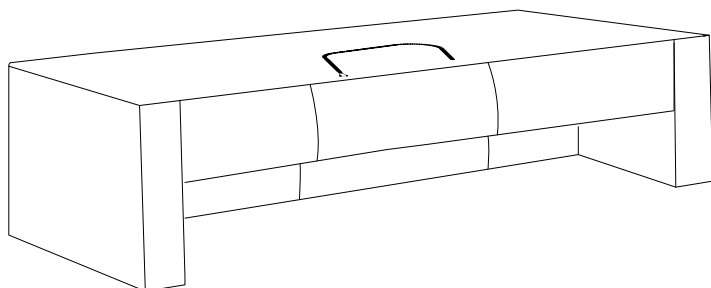
1



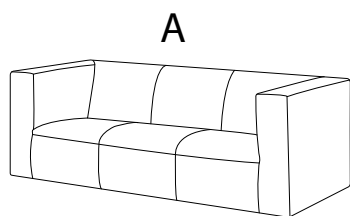
**A**



!

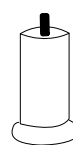


1

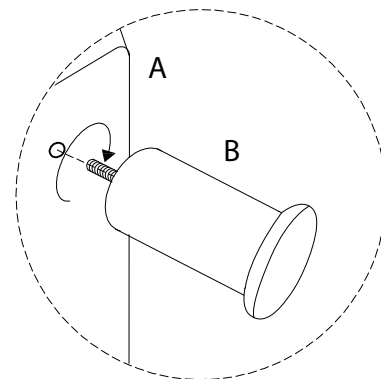
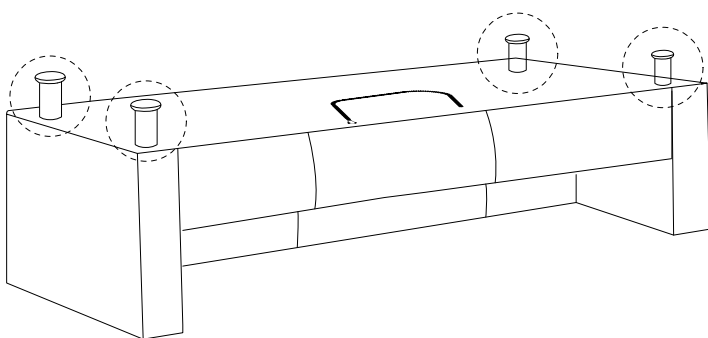


x 1

B



x 4



2

C



x 1

