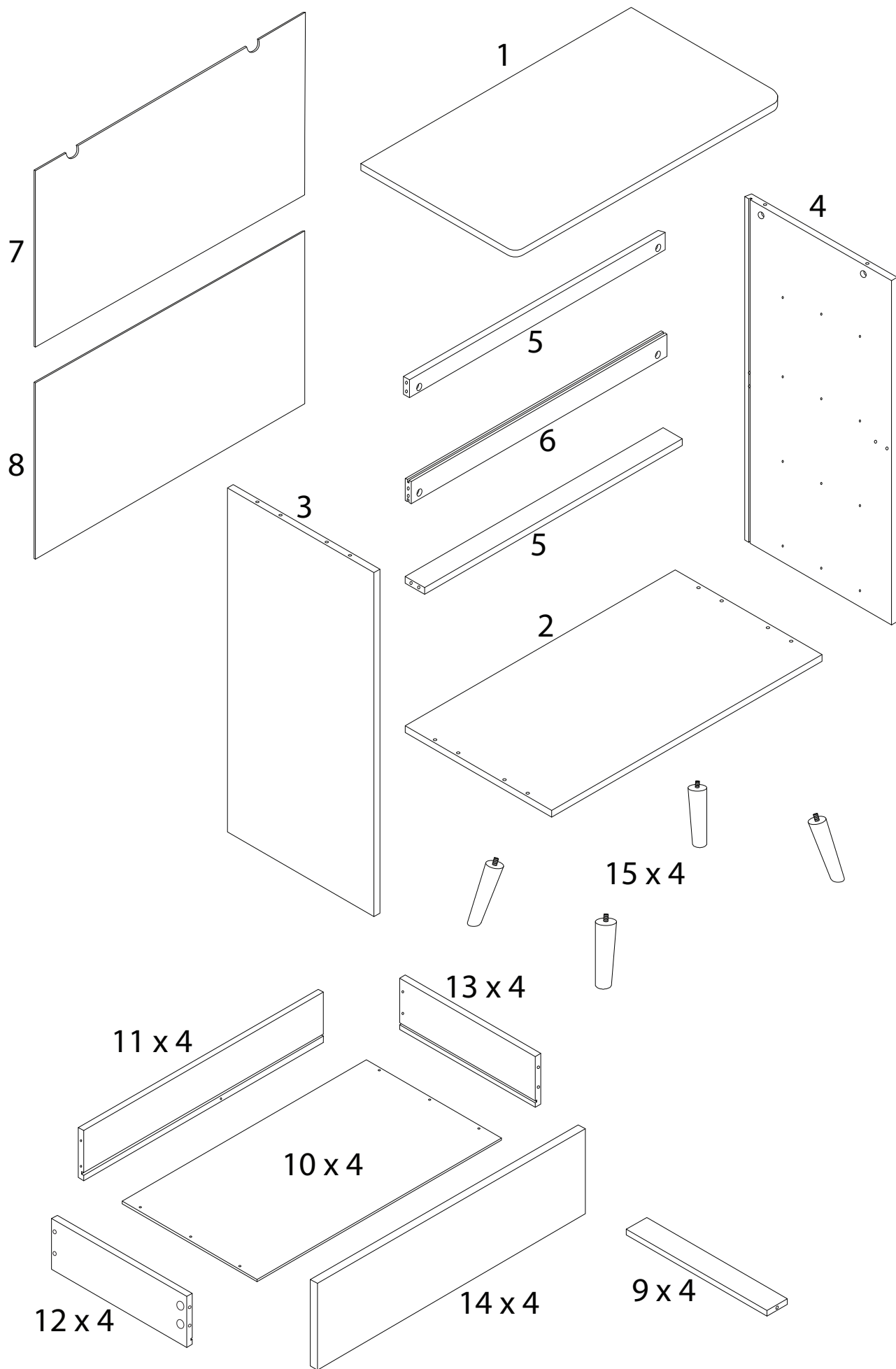
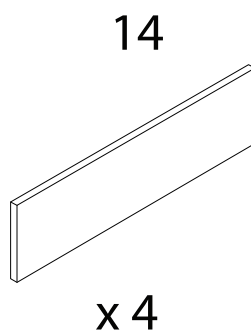
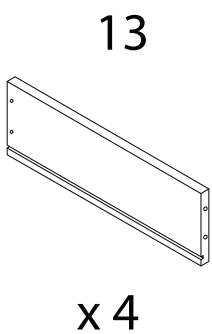
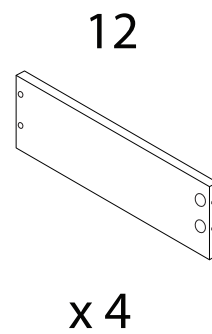
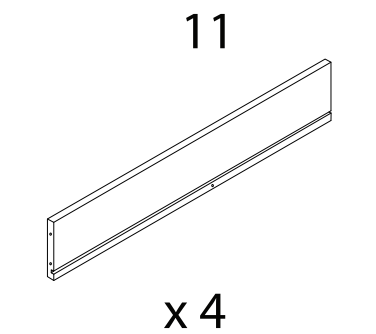
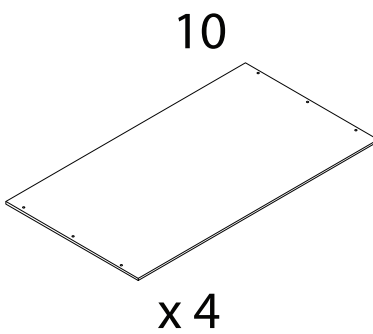
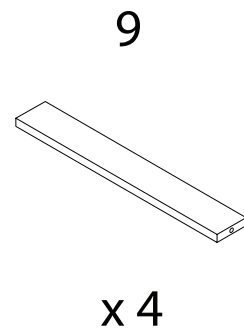
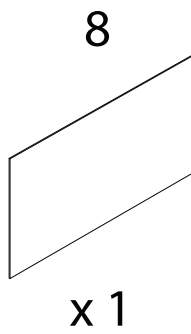
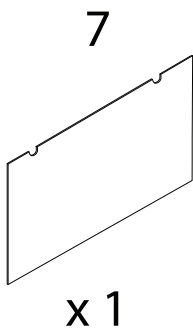
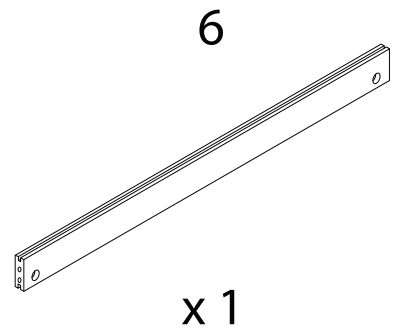
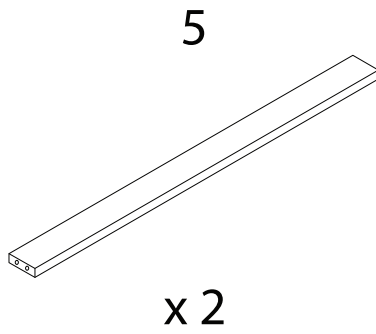
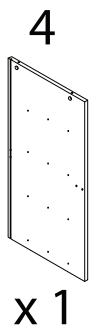
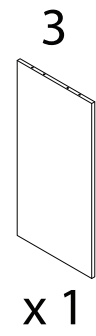
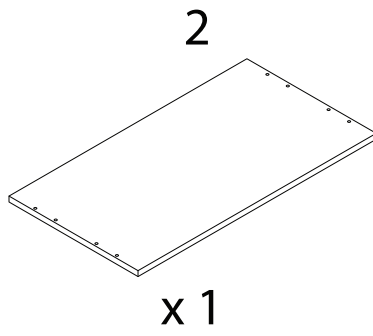
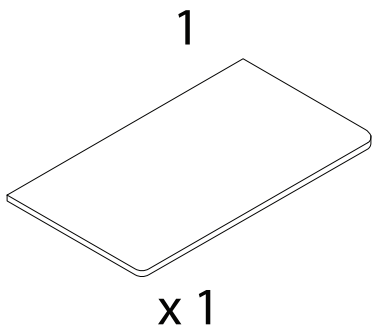



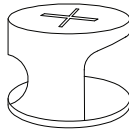

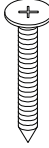

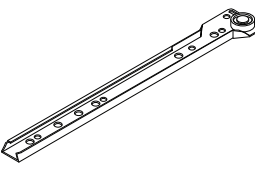
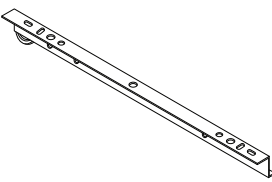
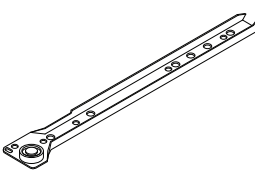
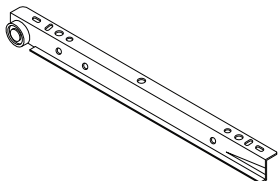
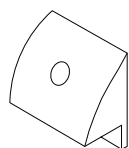
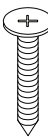
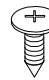
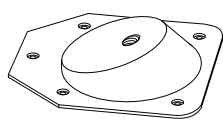

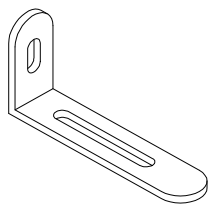
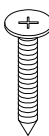
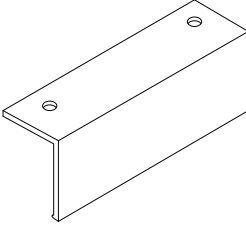
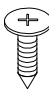


Assembly instructions for the dresser:

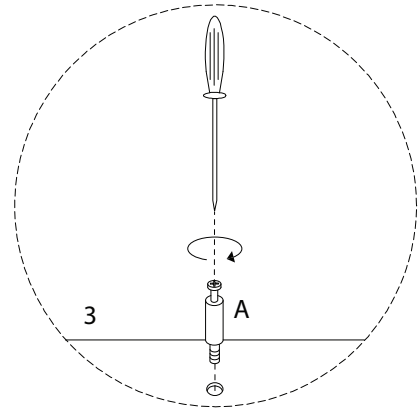
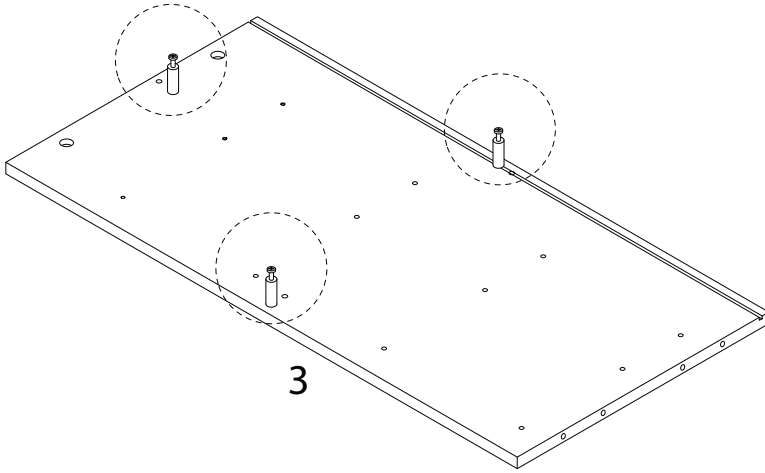
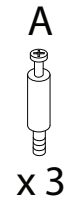
- Tools:** A circle containing a screwdriver, a hammer, and a power drill. A warning triangle with an exclamation mark is positioned to the right.
- Time:** A clock icon with the text "90'" below it, indicating the estimated assembly time.
- Personnel:** A person icon with the number "2" below it, indicating that two people are required for assembly.
- Warning:** A second warning triangle with an exclamation mark is positioned above the person icon.
- Diagram:** A circle containing a diagram of a drawer being placed on a surface, with a second diagram showing a screw being inserted into the drawer's base.



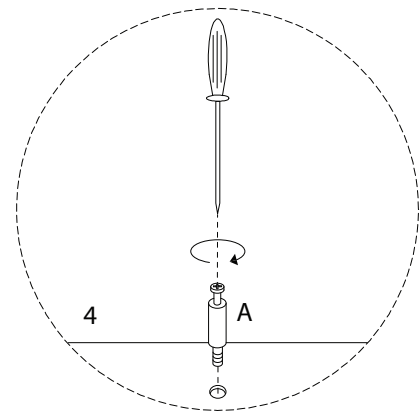
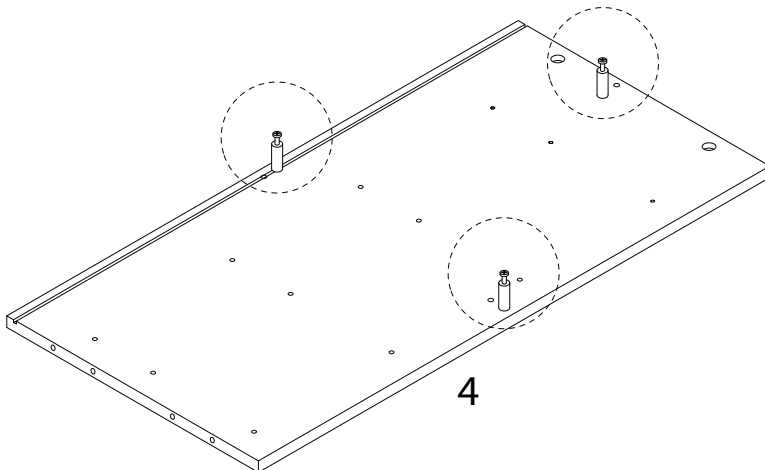
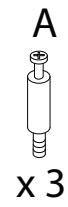
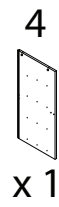


<p>A</p>  <p>x 30</p>	<p>B</p>  <p>x 30</p>	<p>C</p>  <p>x 14</p>	<p>D</p>  <p>M4 x 40</p> <p>x 26</p>
<p>E</p>  <p>M3.5 x 12</p> <p>x 48</p>	<p>F1</p>  <p>x 4</p>	<p>F2</p>  <p>x 4</p>	<p>G1</p>  <p>x 4</p>
<p>G2</p>  <p>x 4</p>	<p>H1</p>  <p>x 8</p>	<p>H2</p>  <p>M6 x 35</p> <p>x 8</p>	<p>I</p>  <p>M4 x 12</p> <p>x 20</p>
<p>J</p>  <p>x 4</p>	<p>K1</p>  <p>x 2</p>	<p>K2</p>  <p>x 2</p>	<p>K3</p>  <p>M4 x 35</p> <p>x 2</p>
<p>L</p>  <p>x 4</p>		<p>M</p>  <p>M3 x 12</p> <p>x 8</p>	

1



2

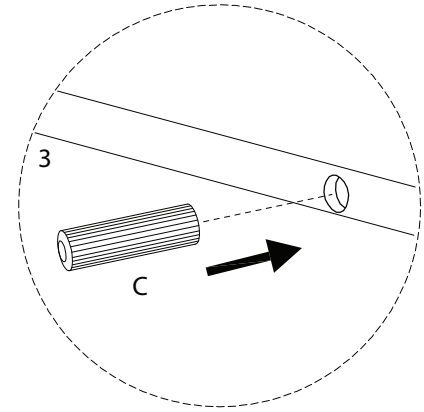
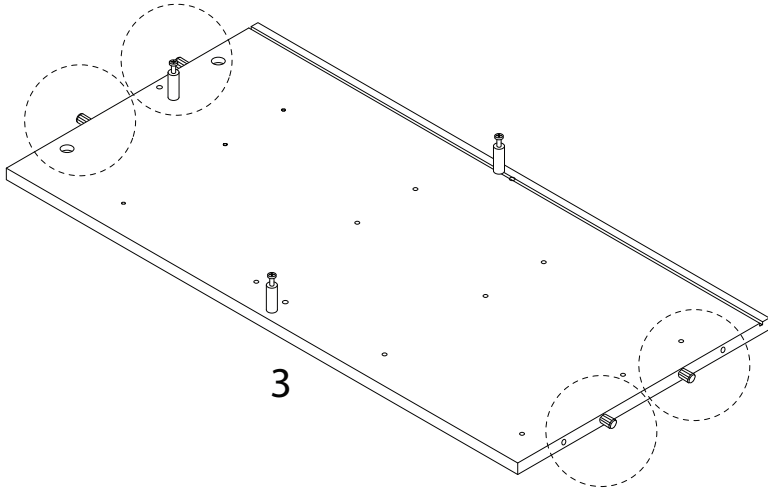


3

C



x 4

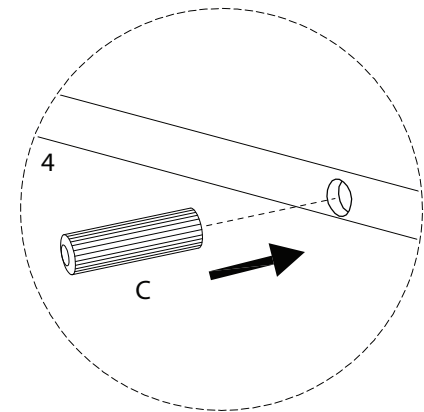
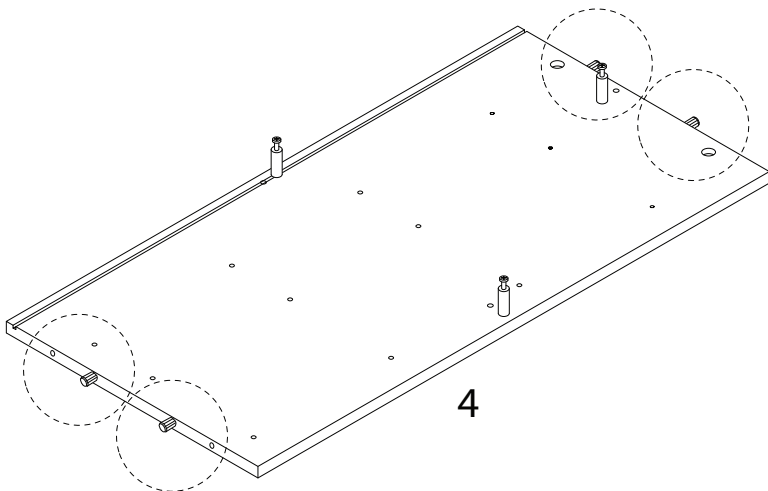


4

C

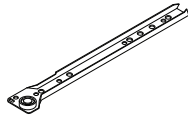


x 4



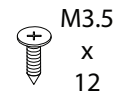
5

G1

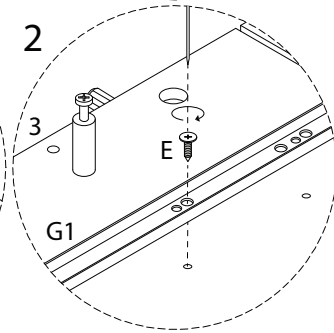
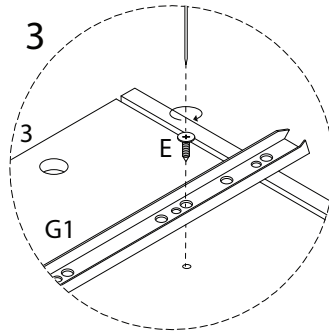
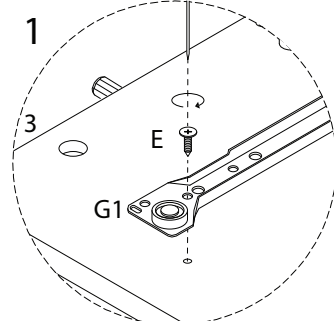
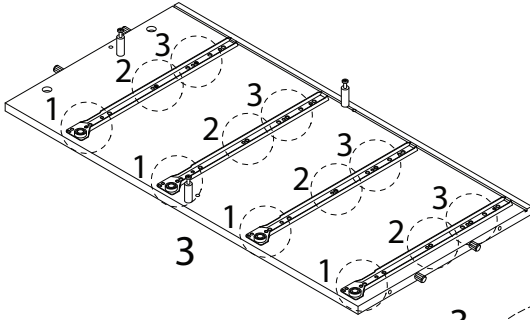


x 4

E

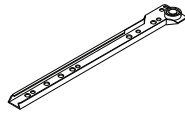


x 12



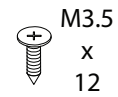
6

F1

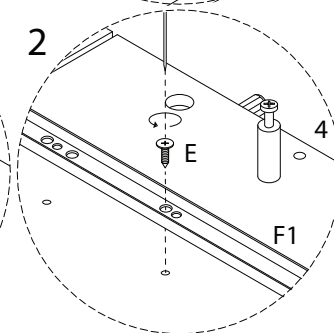
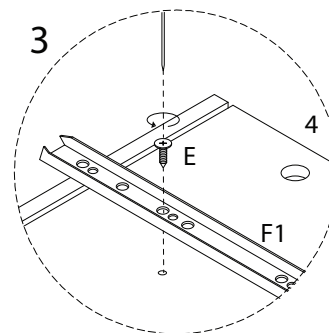
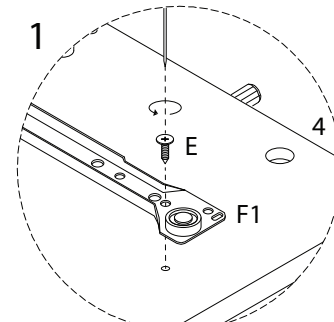
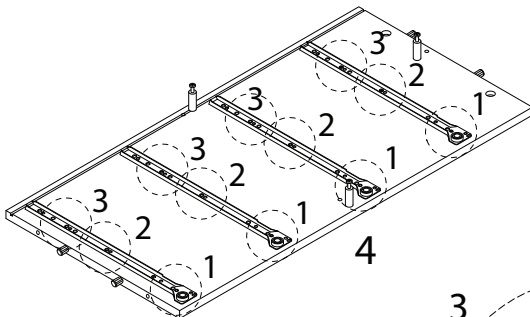


x 4

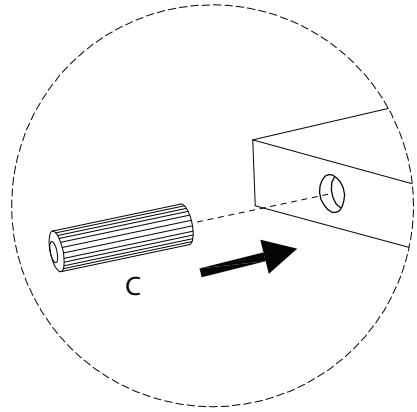
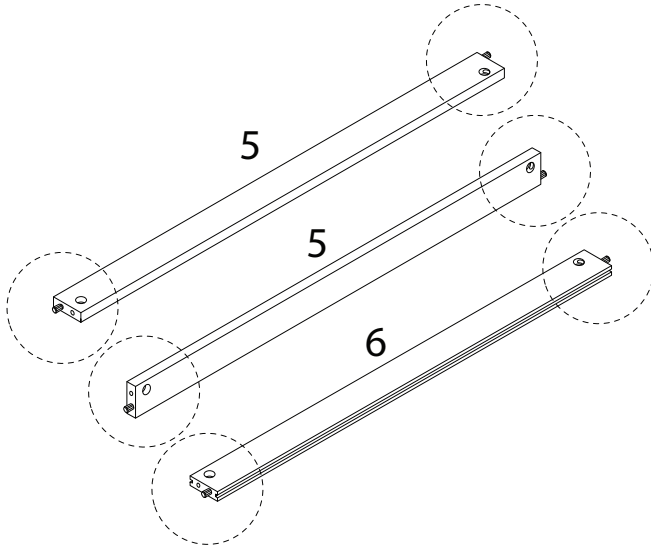
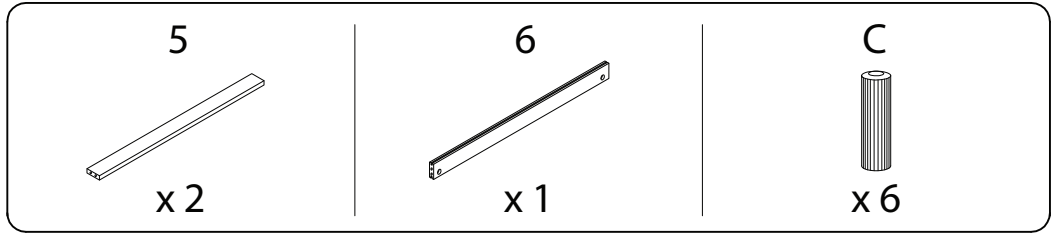
E



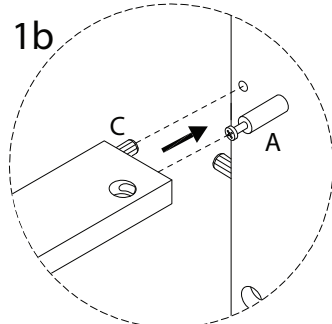
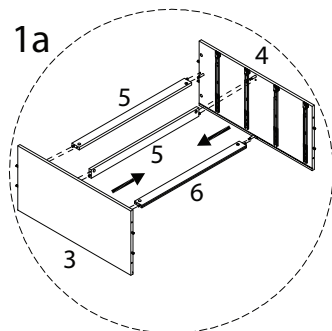
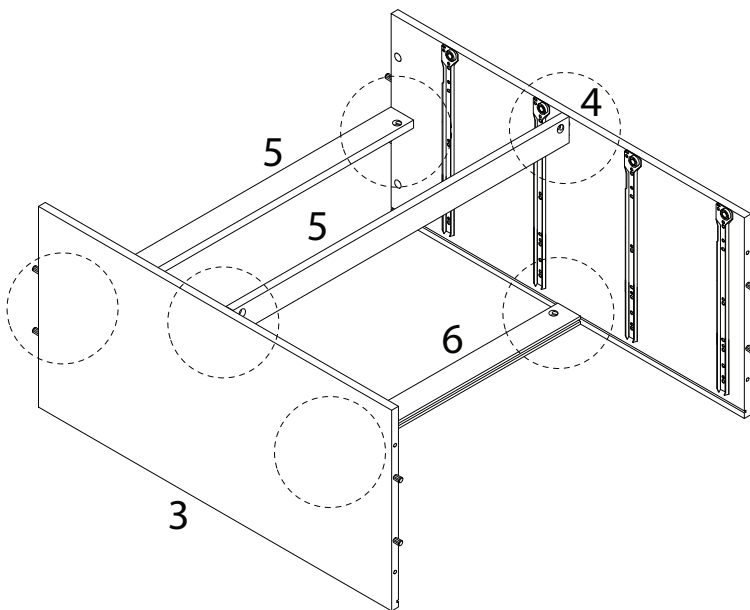
x 12



7



8

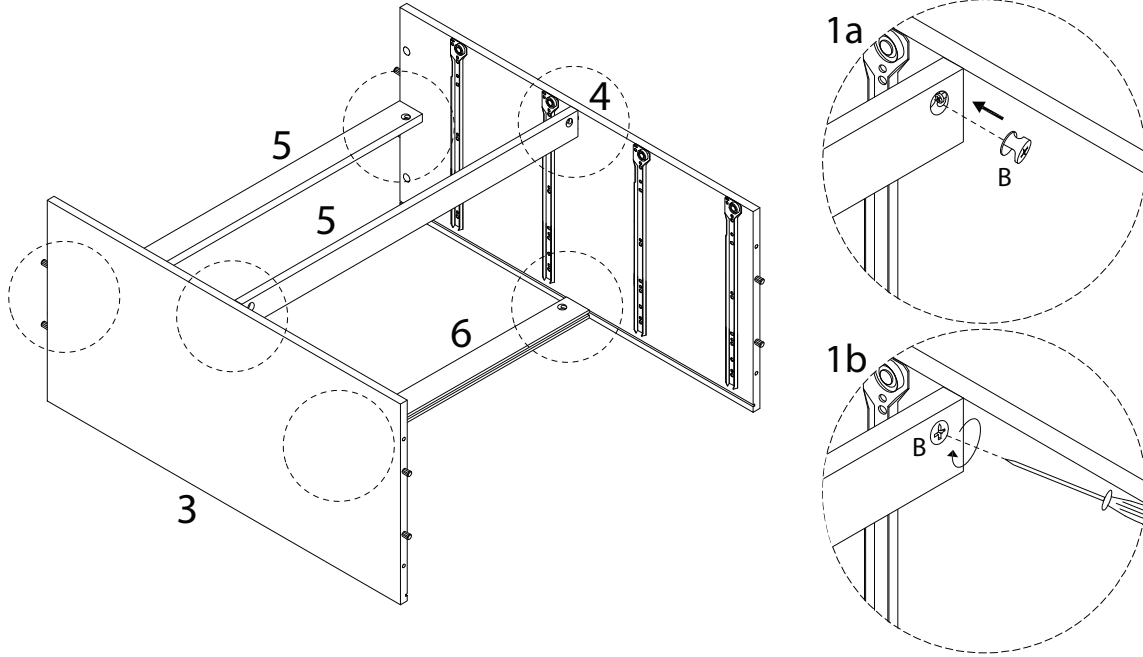


9

B

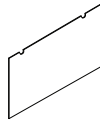


x 6



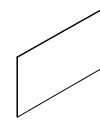
10

7

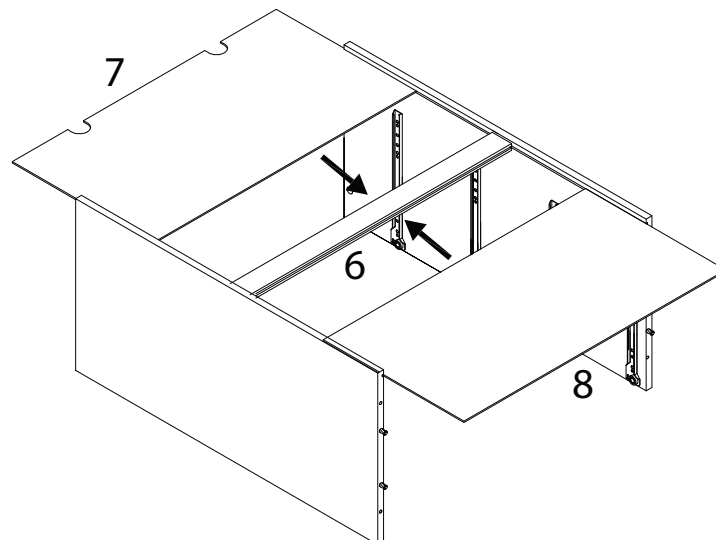


x 1

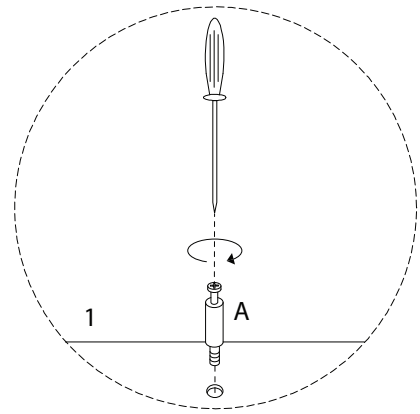
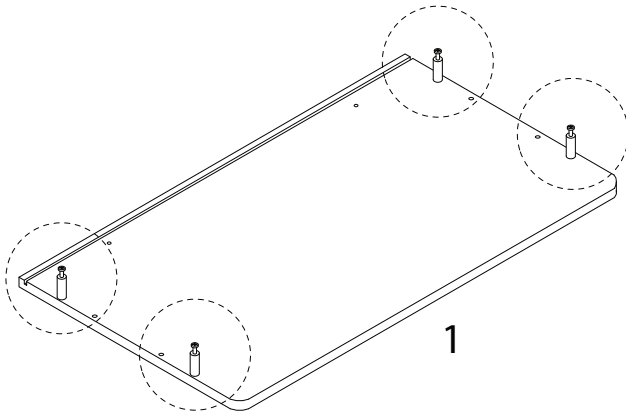
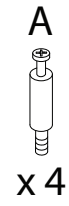
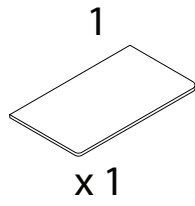
8



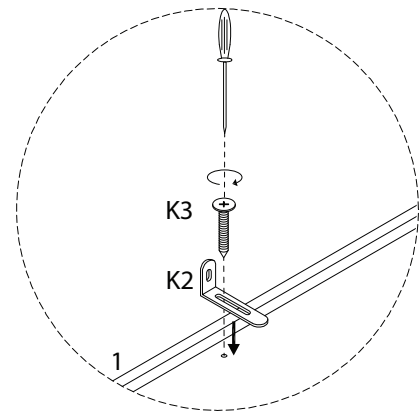
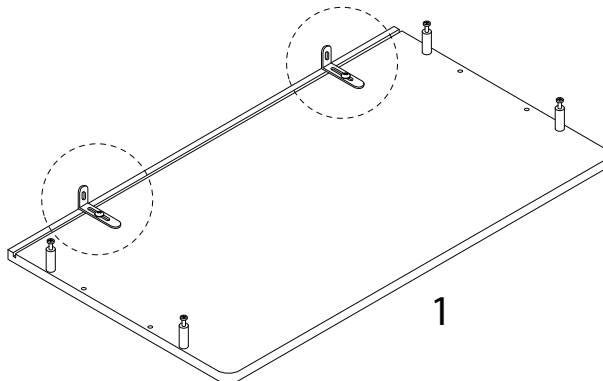
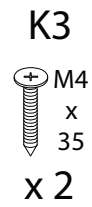
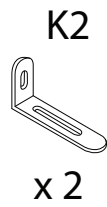
x 1



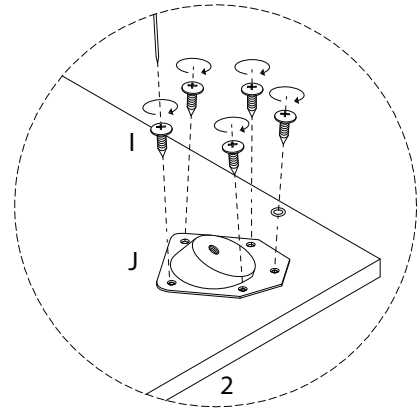
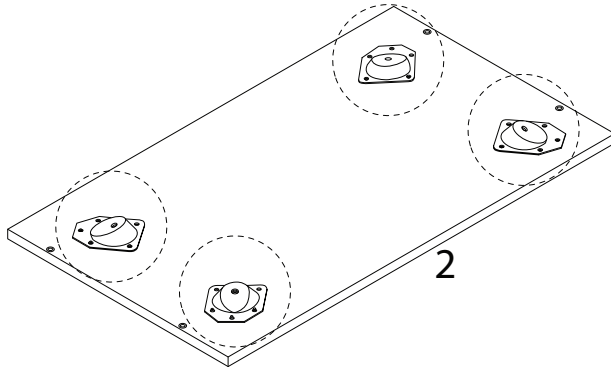
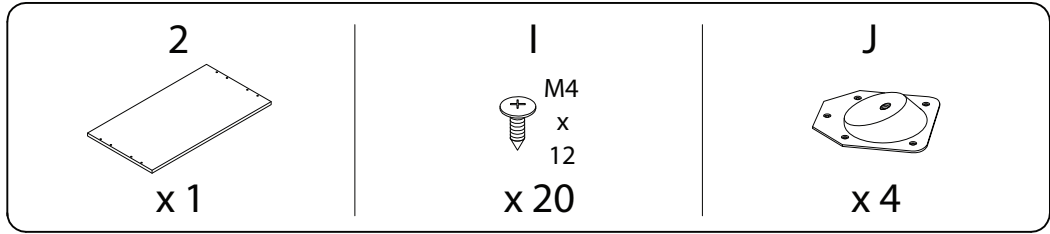
11



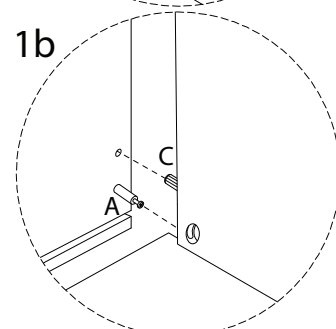
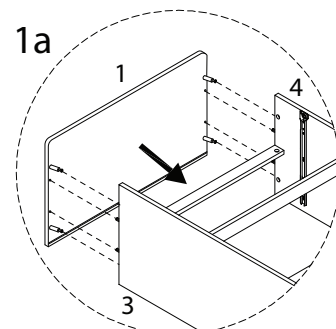
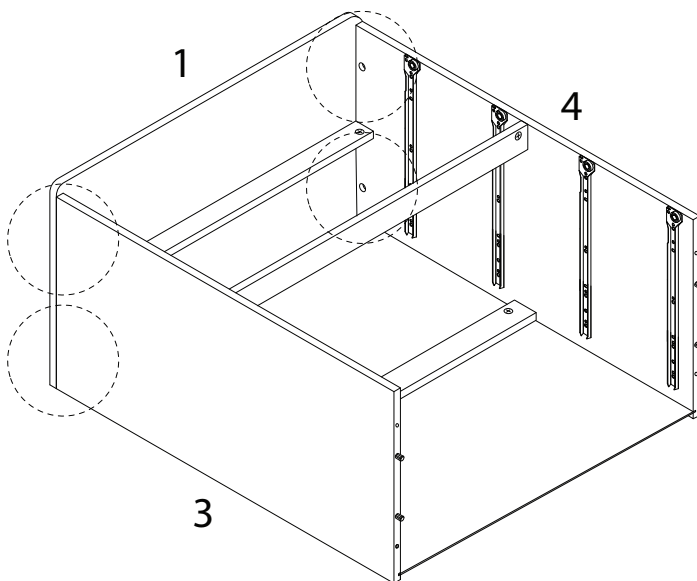
12



13



14

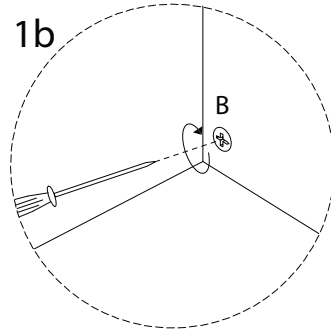
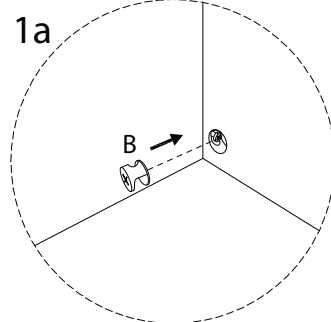
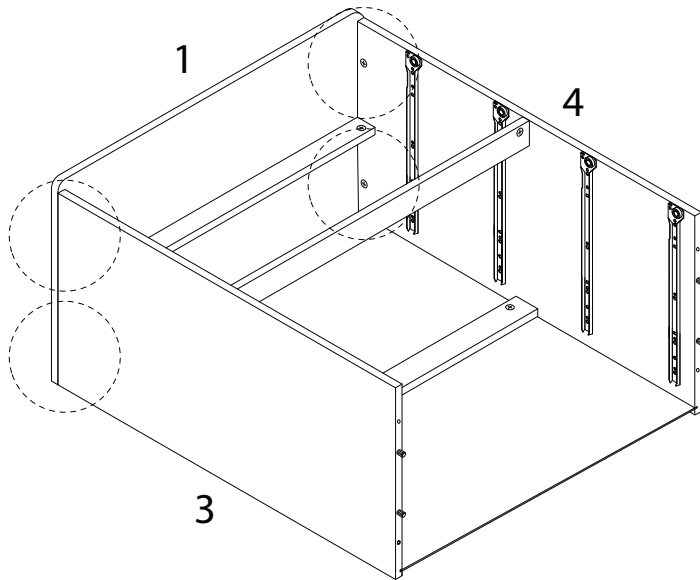


15

B

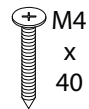


x 4

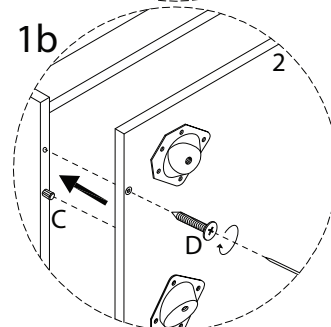
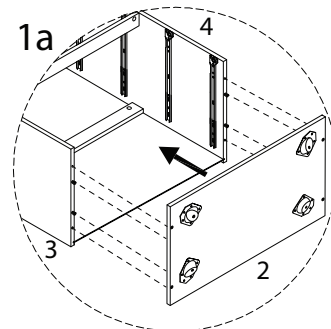
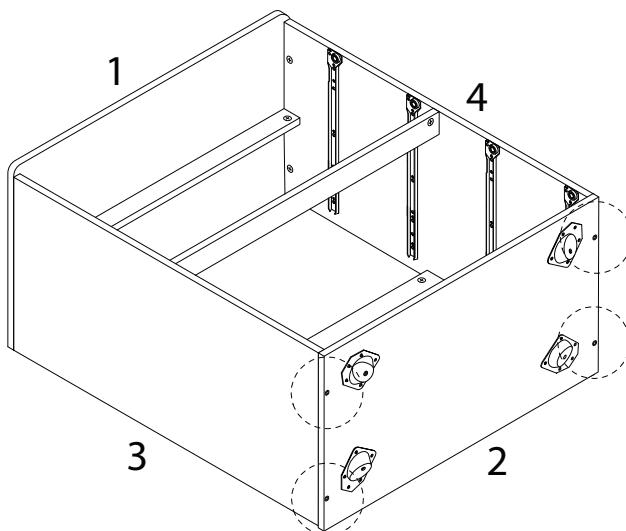


16

D



x 4

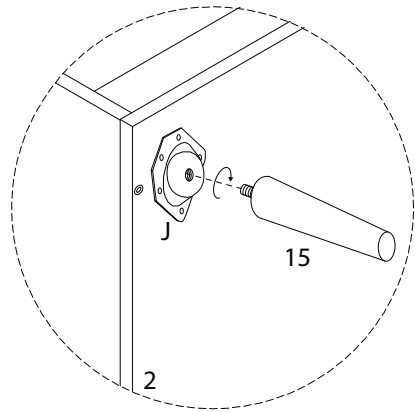
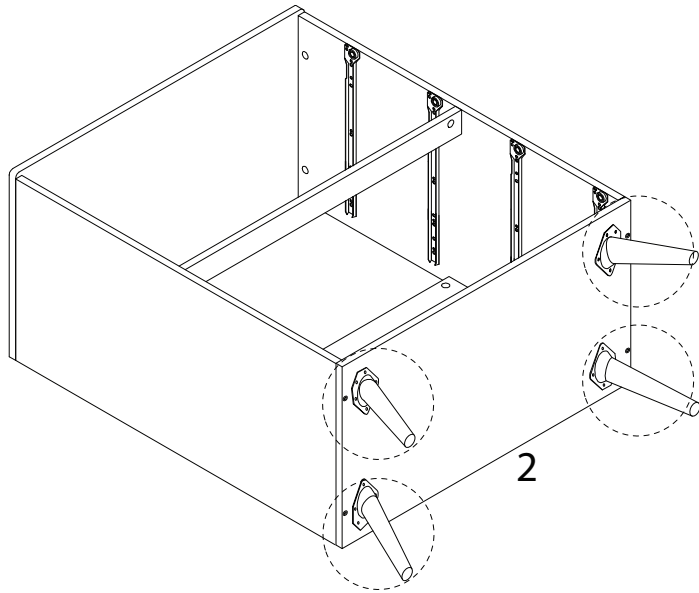


17

15

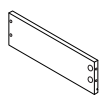


x 4



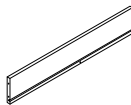
18 x 4

11



x 1

12



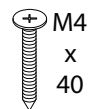
x 1

13

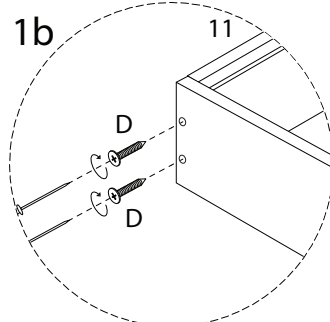
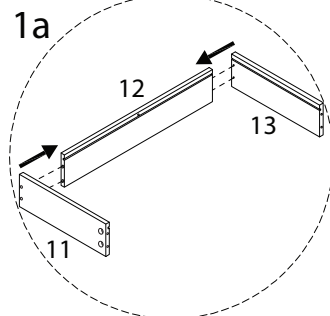
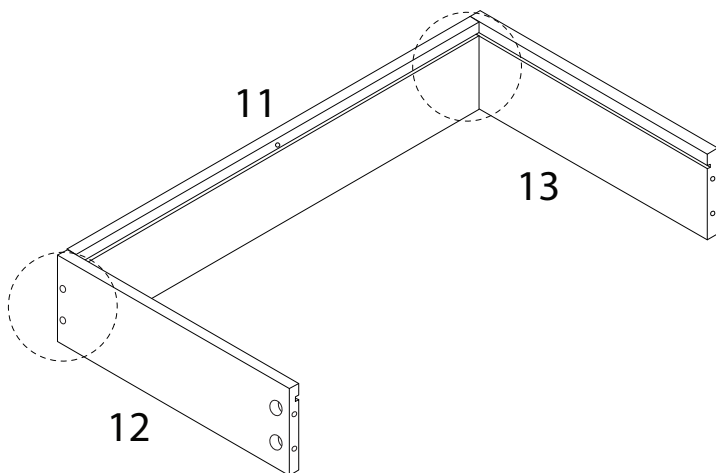


x 1

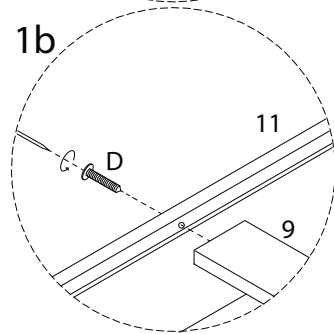
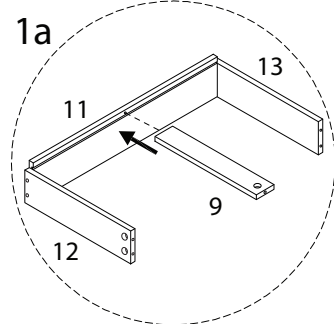
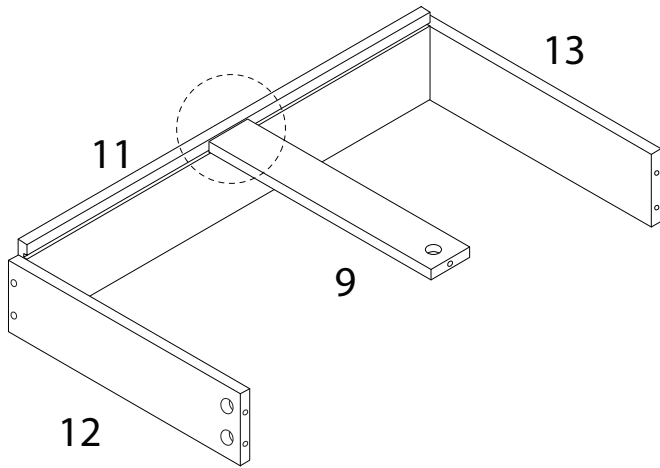
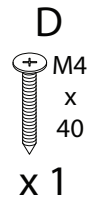
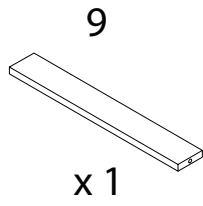
D



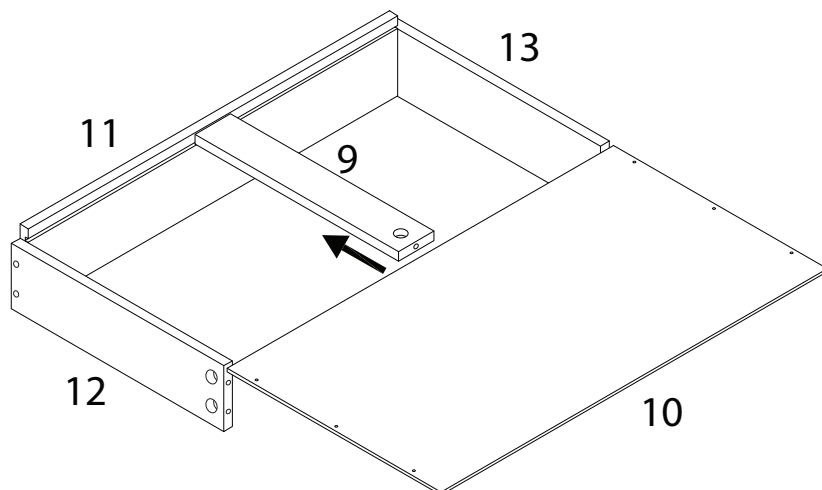
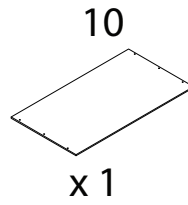
x 4



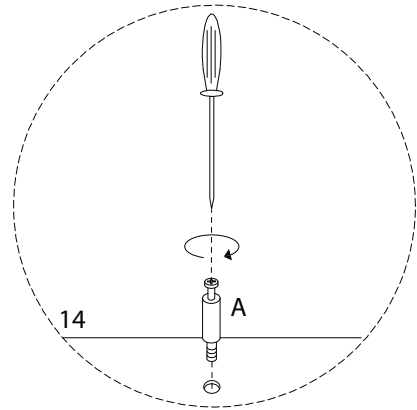
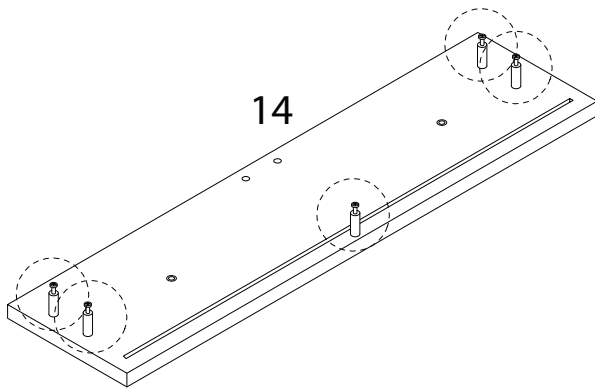
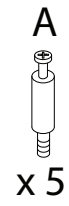
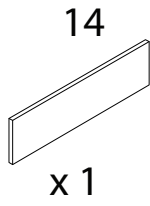
19 x 4



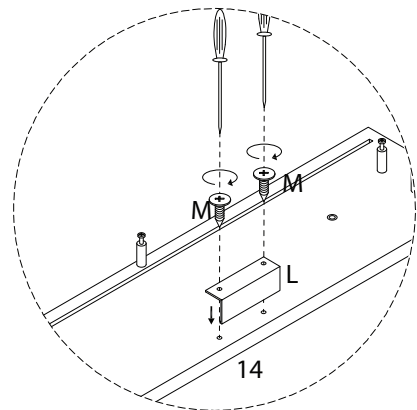
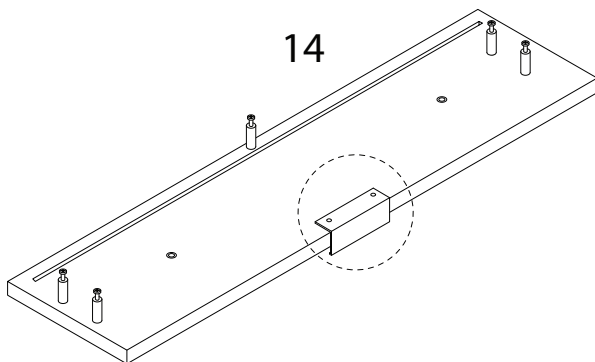
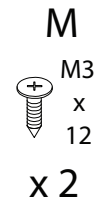
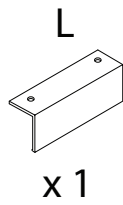
20 x 4



21 x 4



22 x 4

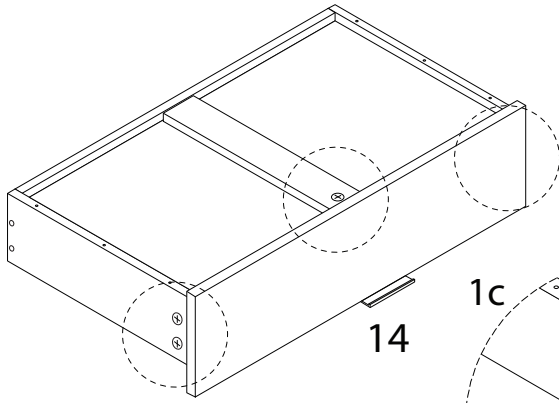


23 x 4

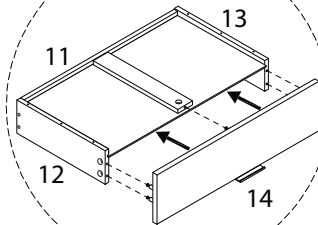
B



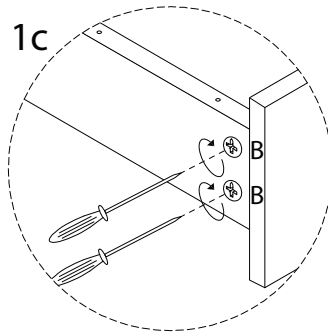
x 5



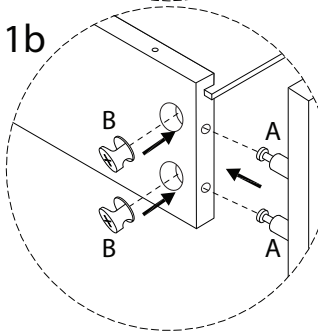
1a



1c

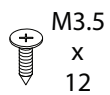


1b



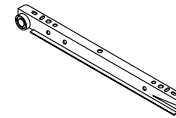
24 x 4

E

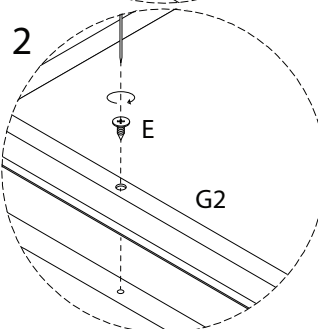
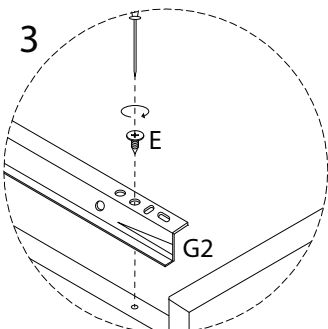
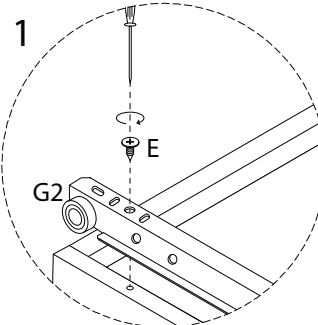
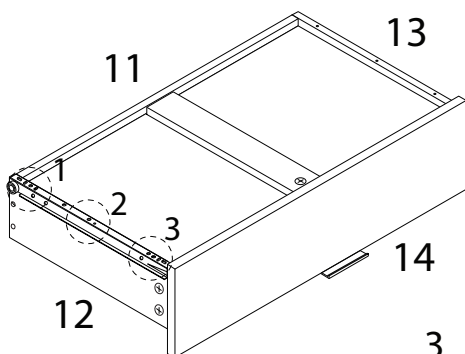


x 3

G2

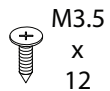


x 1



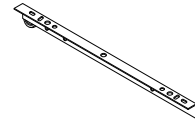
25 x 4

E

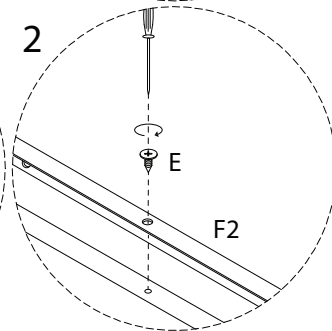
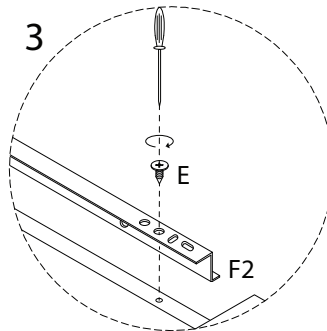
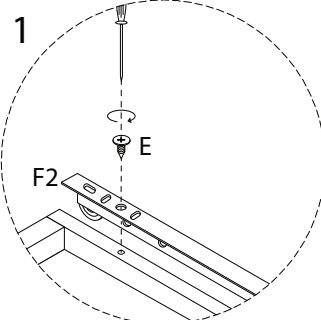
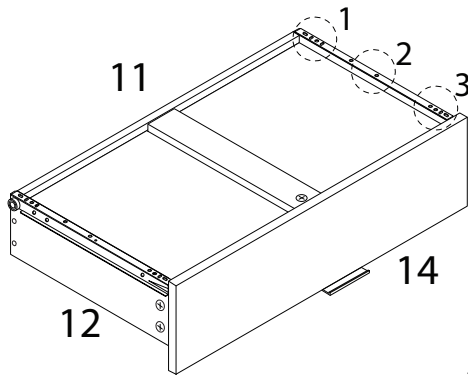


x 6

F2

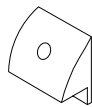


x 1



26

H1

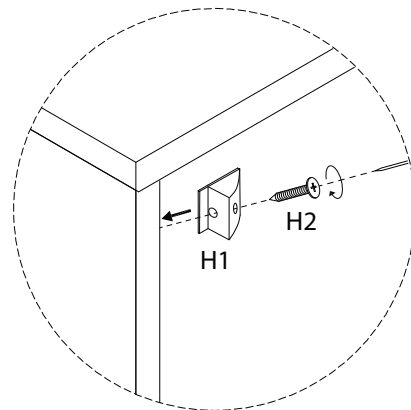
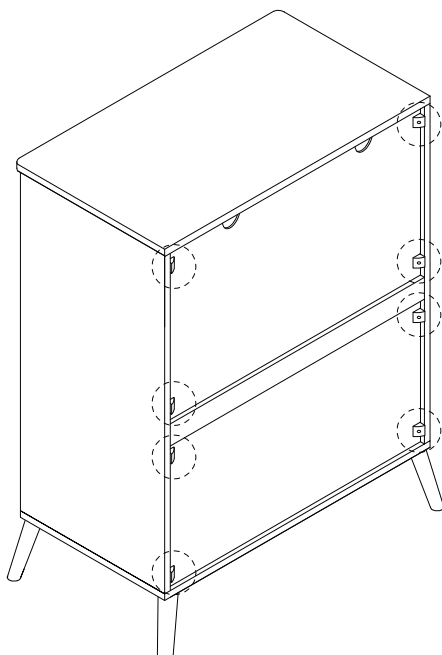


x 8

H2



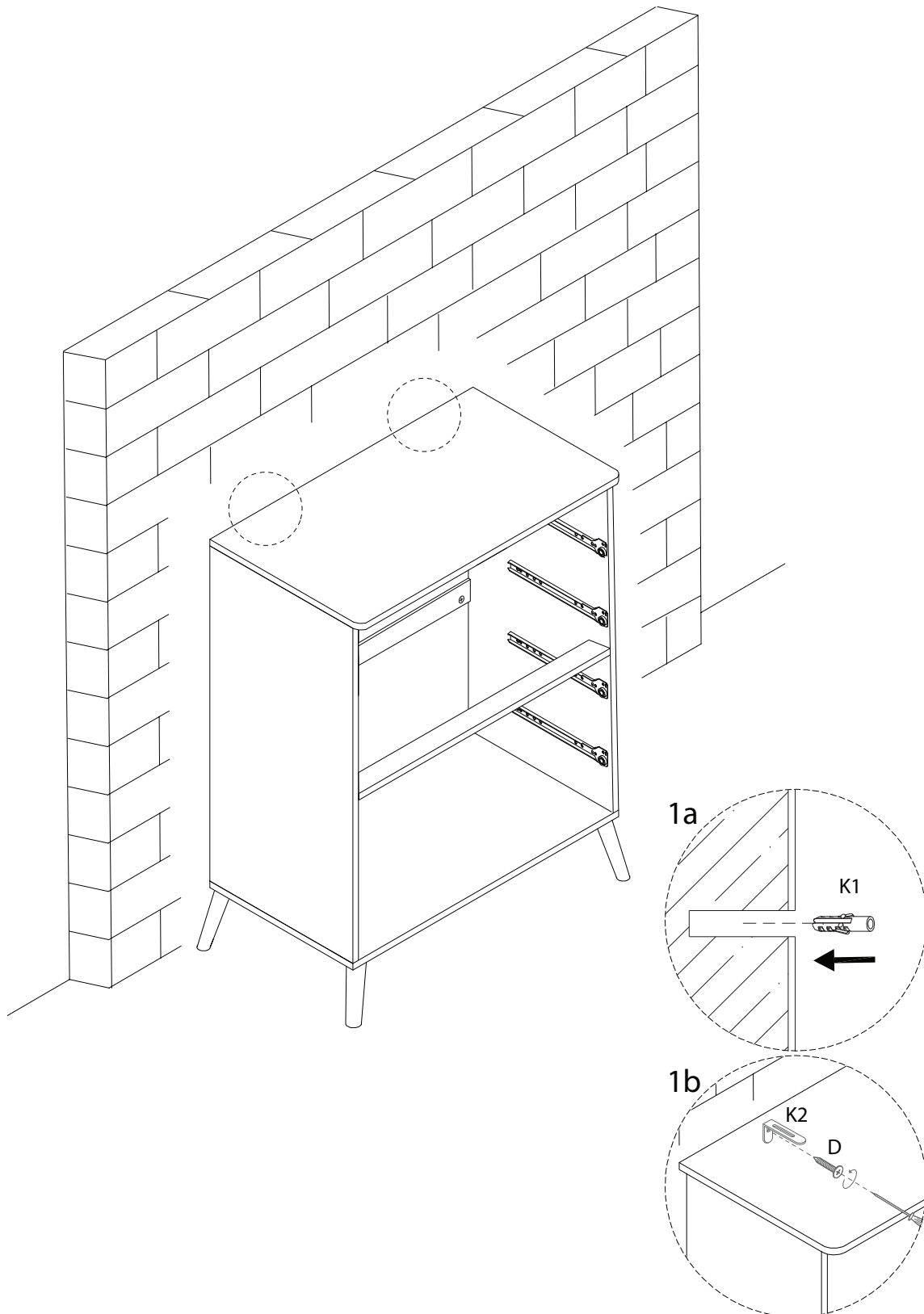
x 8



27

D
M4
x
40
x 2

K1
x 2



28

