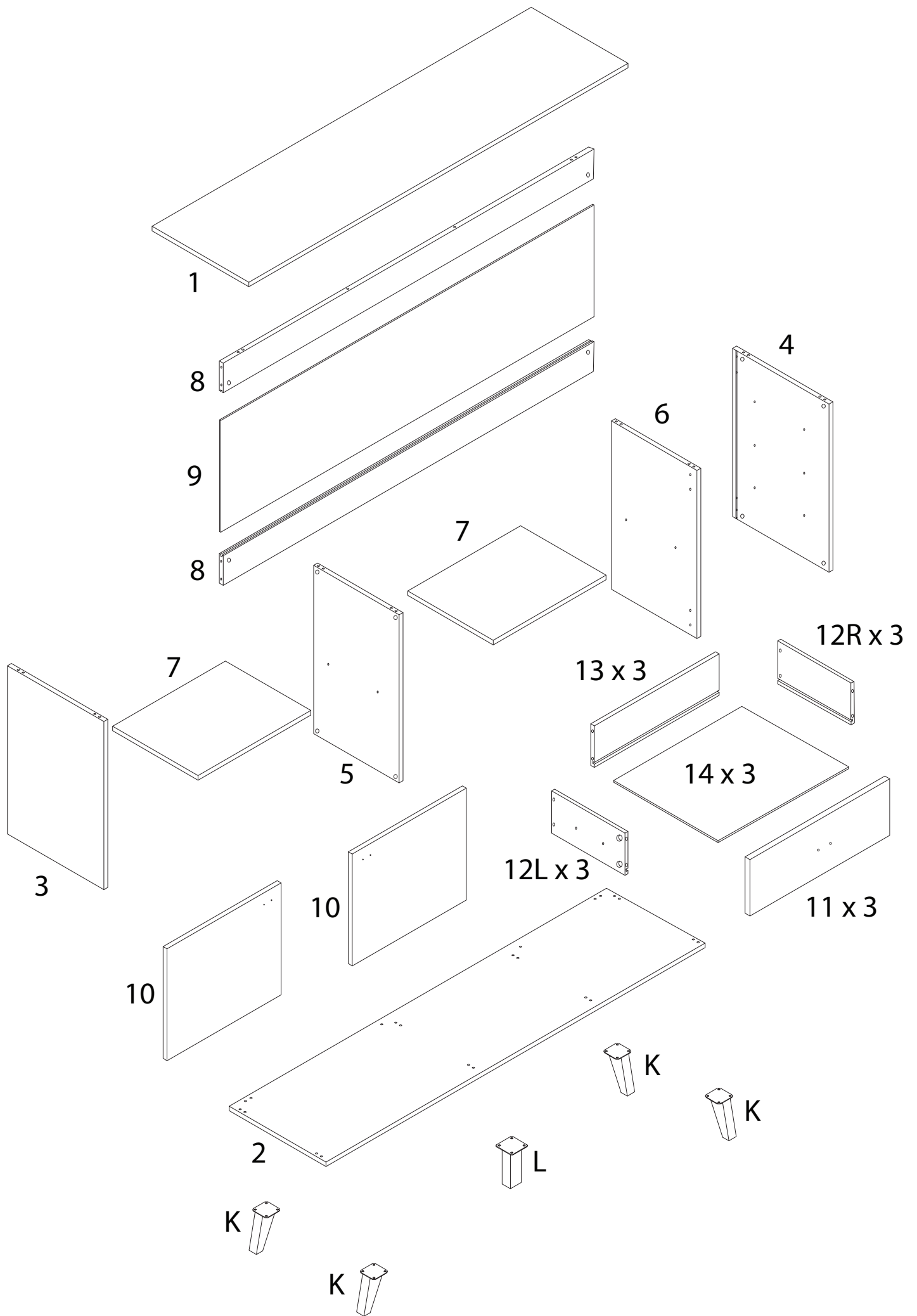
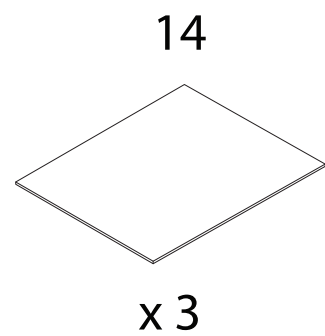
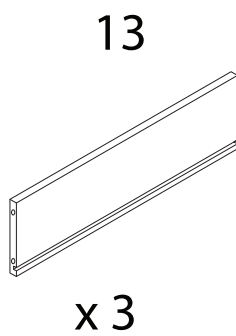
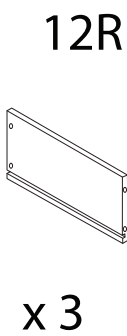
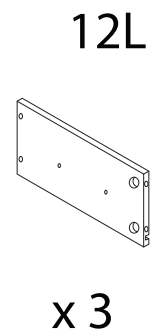
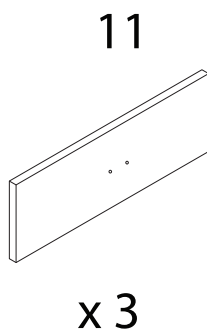
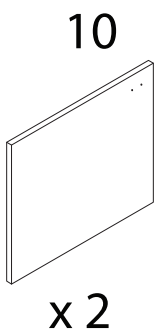
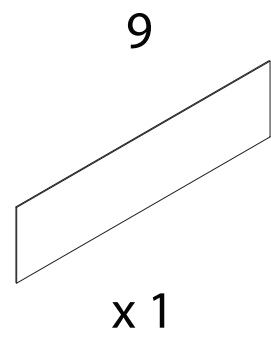
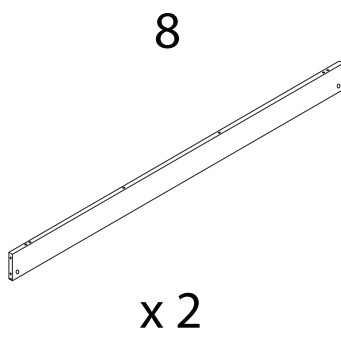
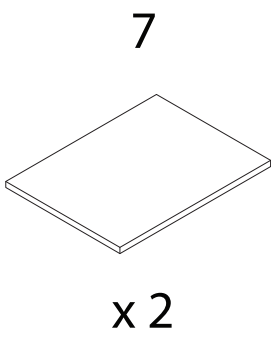
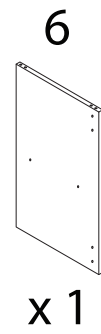
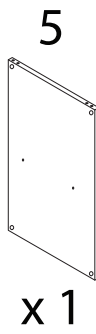
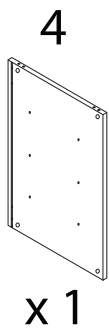
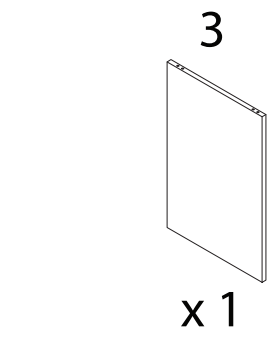
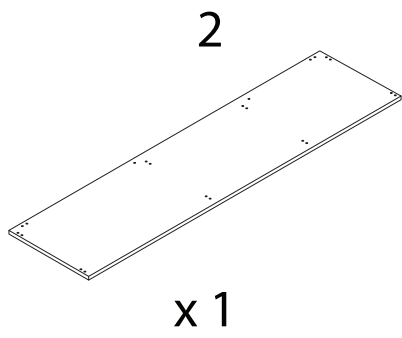
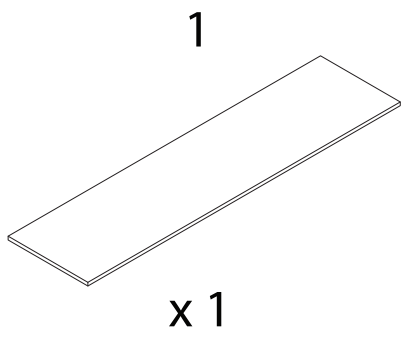


120'



2



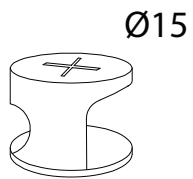


A



x 28

B



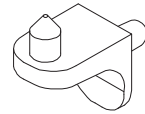
x 28

C



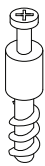
x 24

D



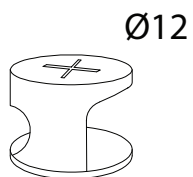
x 8

E1



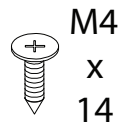
x 12

E2



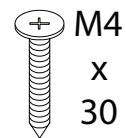
x 12

F



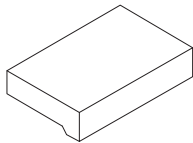
x 36

G



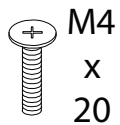
x 12

H



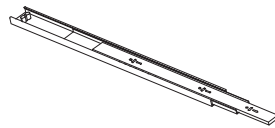
x 5

I



x 10

J



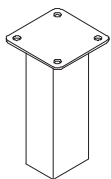
x 6

K



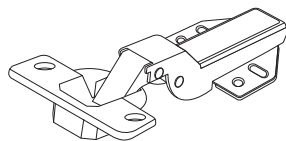
x 4

L



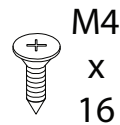
x 1

M1



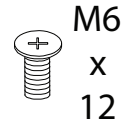
x 4

M2



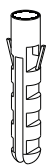
x 16

N



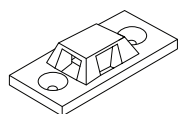
x 20

P1



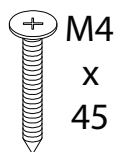
x 4

P2



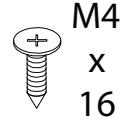
x 4

P3



x 4

P4



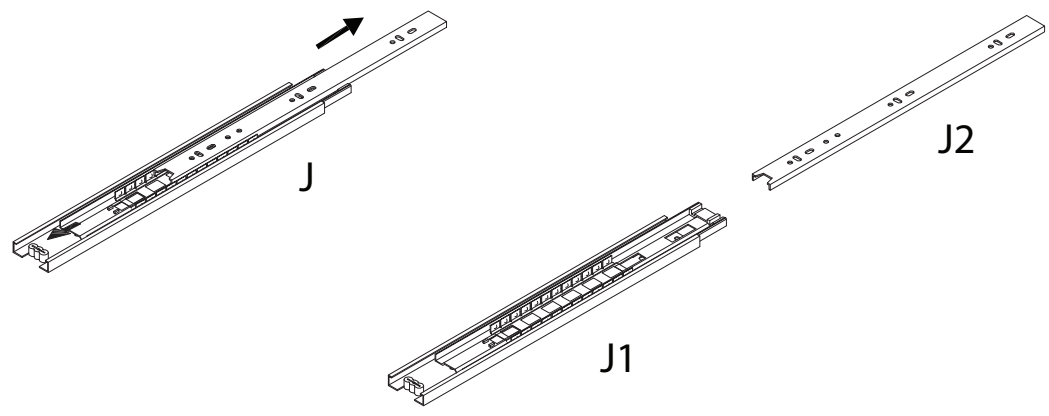
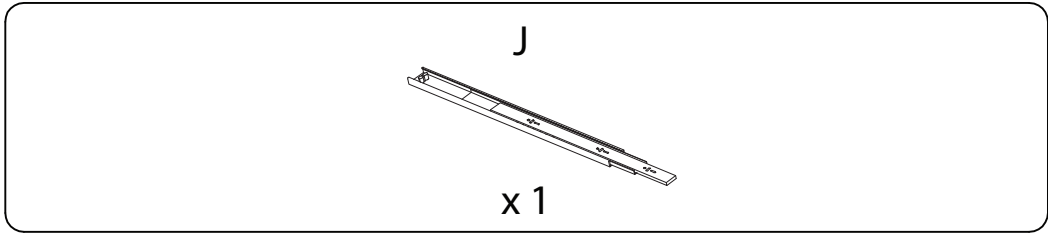
x 4

P5

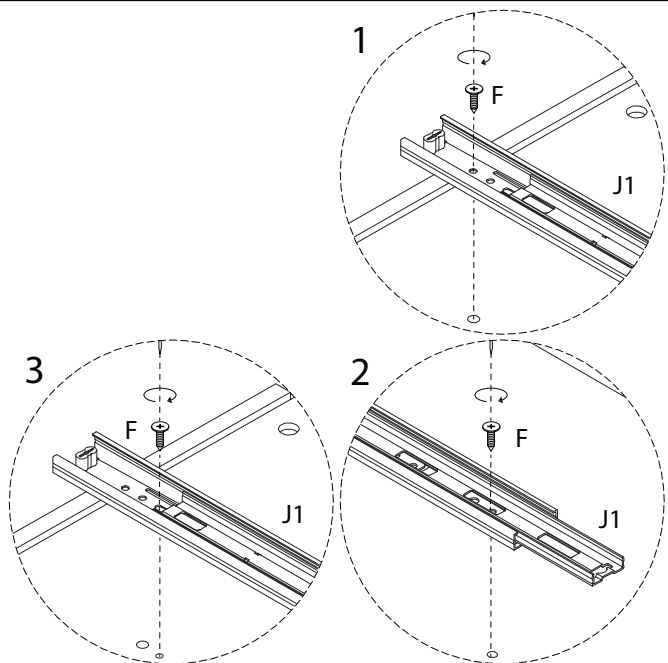
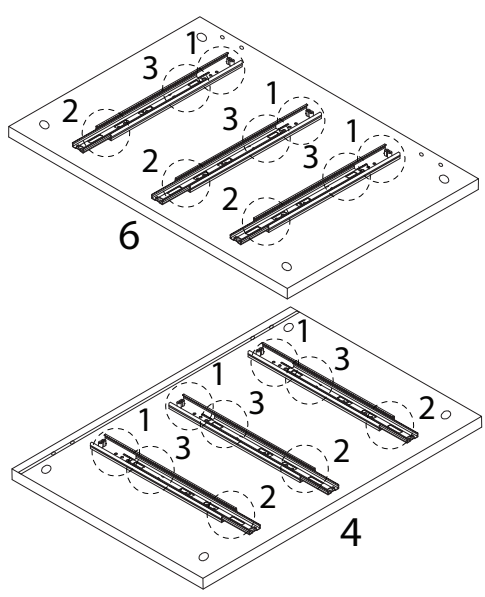
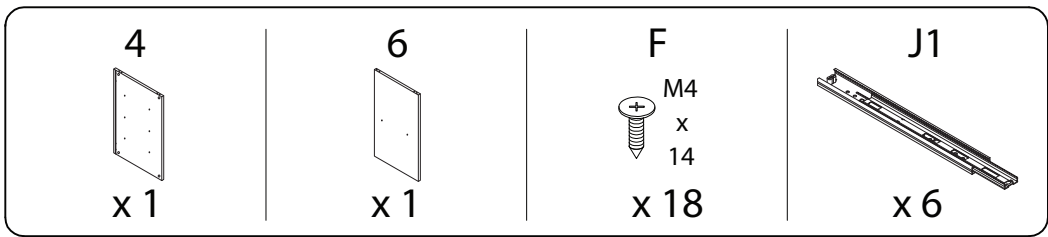


x 2

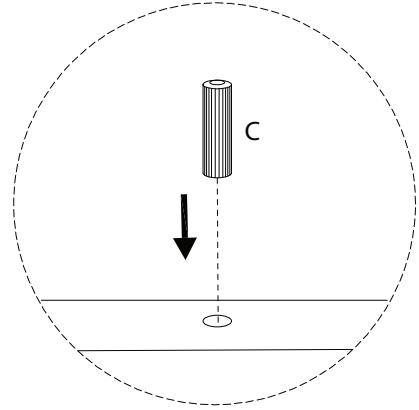
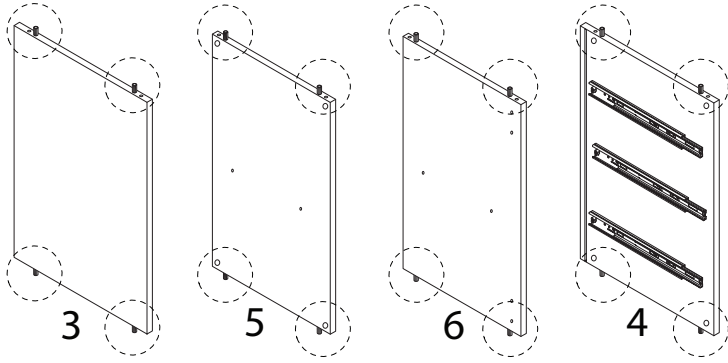
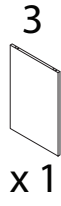
1 x 6



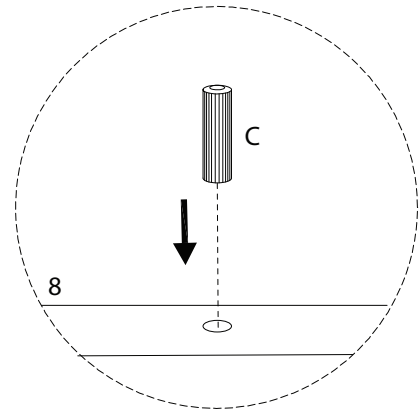
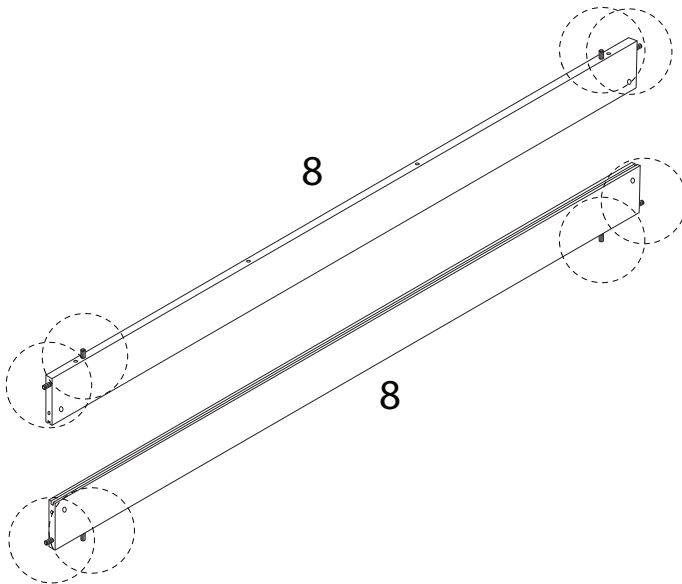
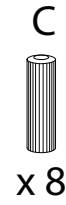
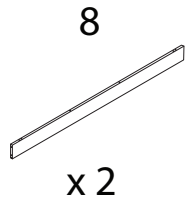
2



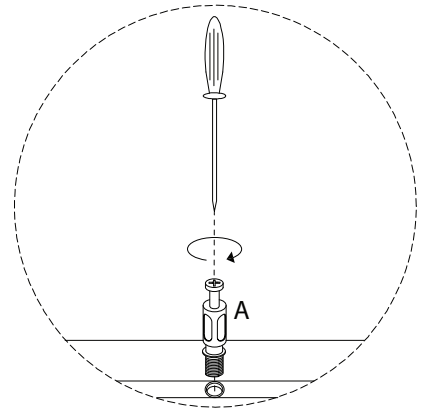
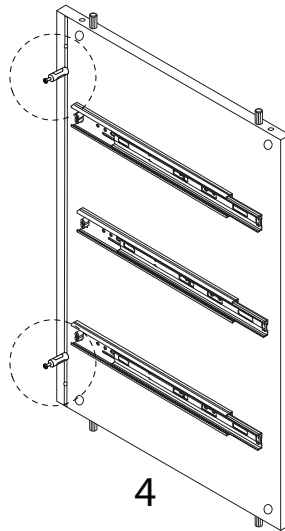
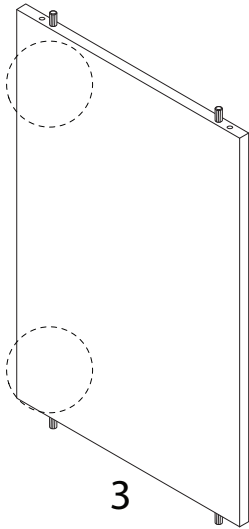
3



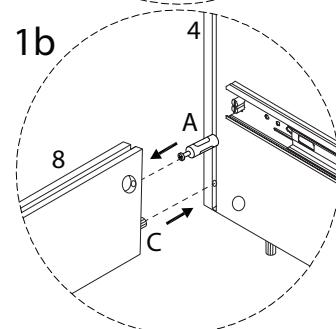
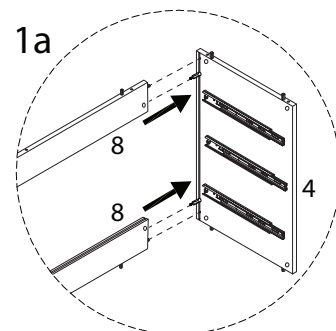
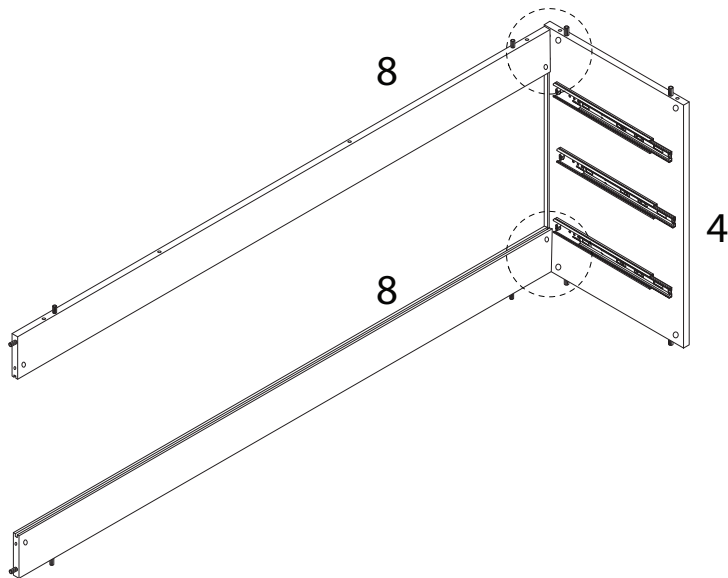
4



5



6



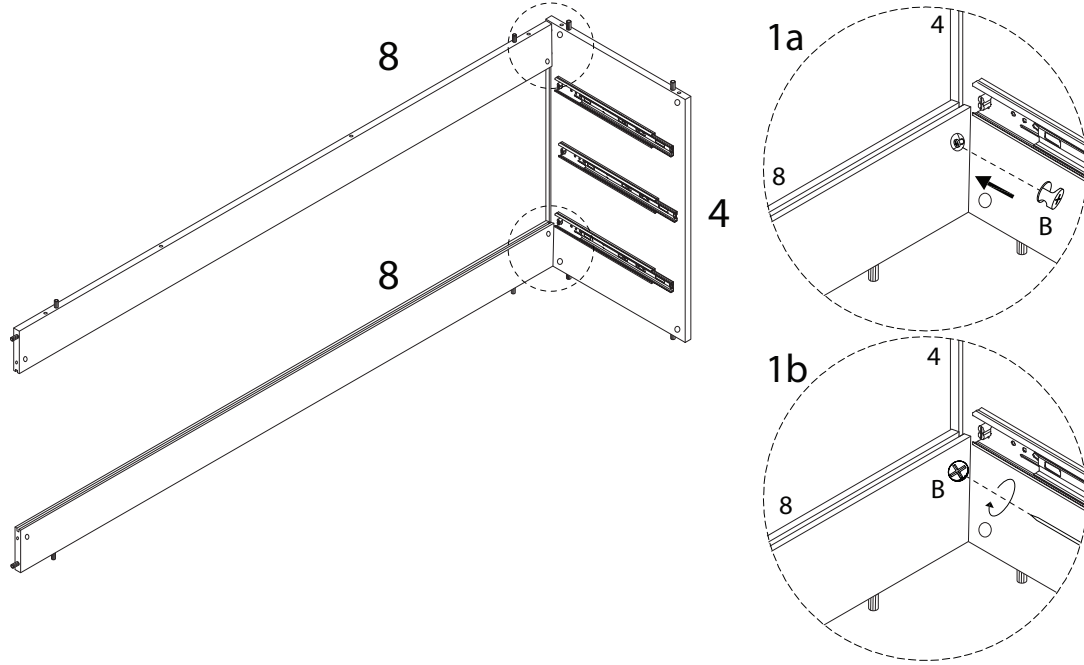
7

B

Ø15

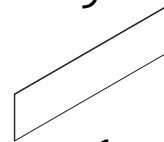


x 2

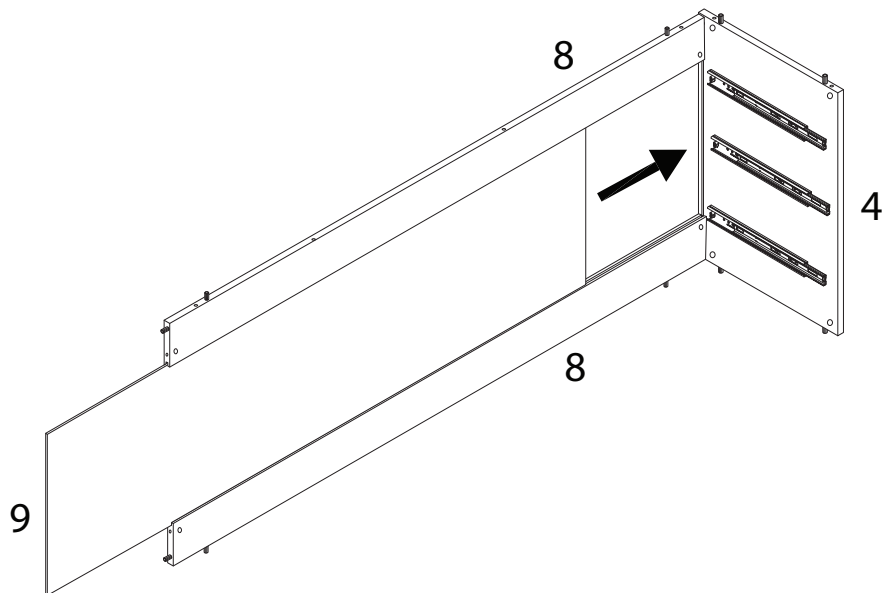


8

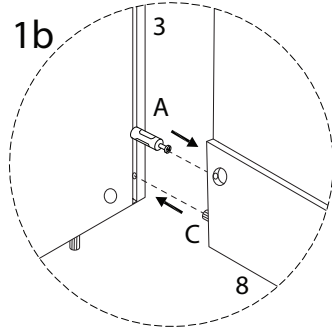
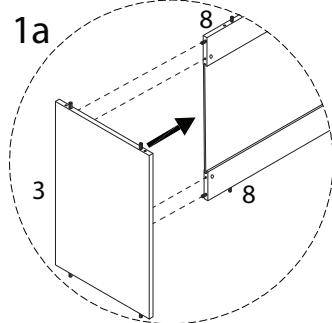
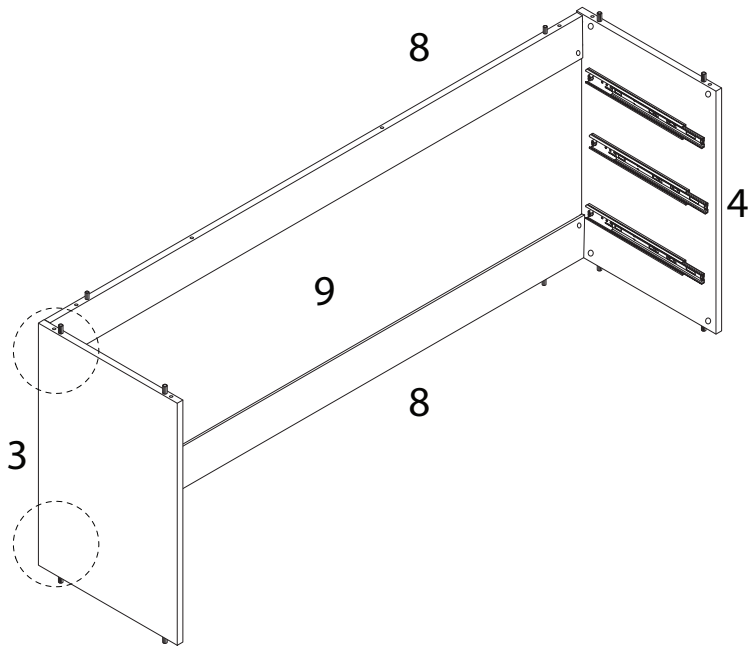
9



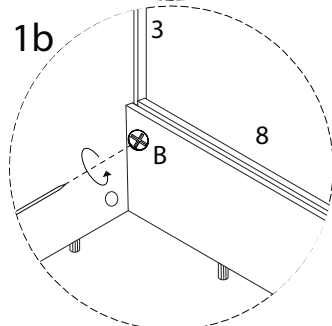
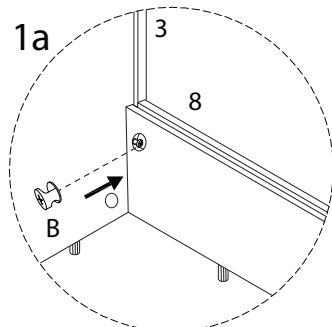
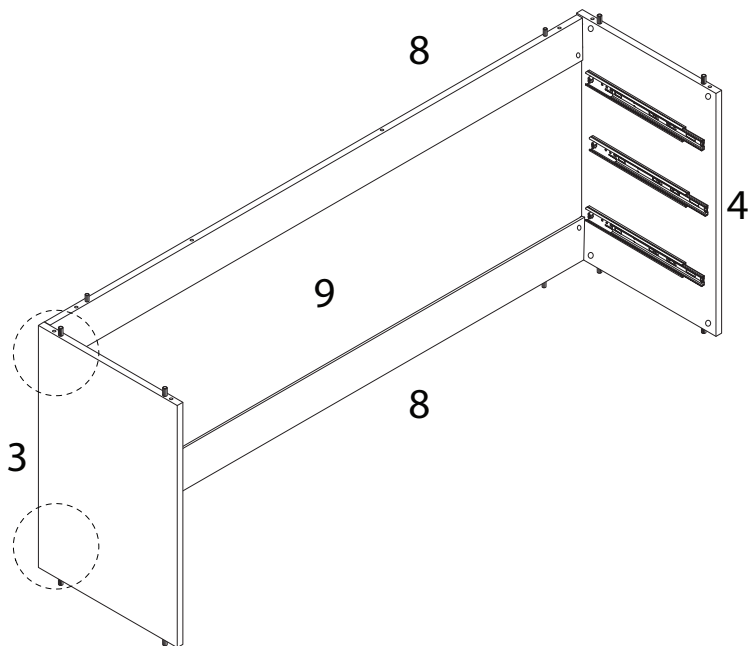
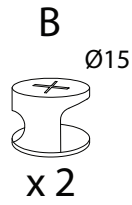
x 1



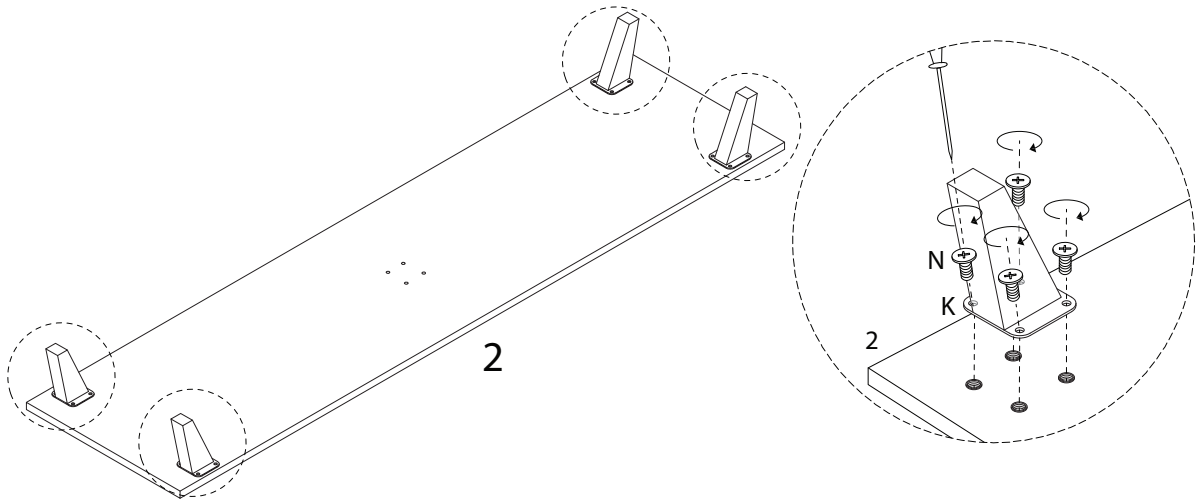
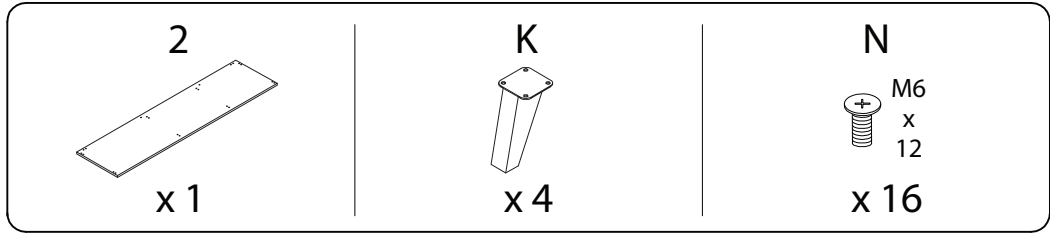
9



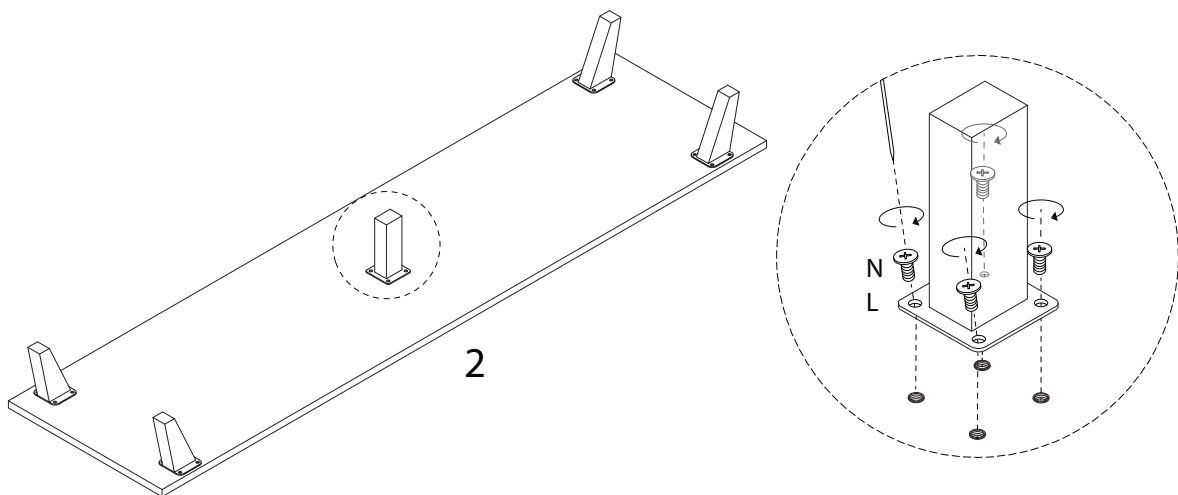
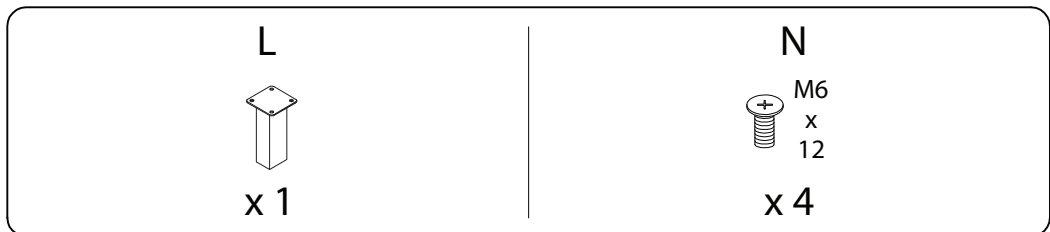
10



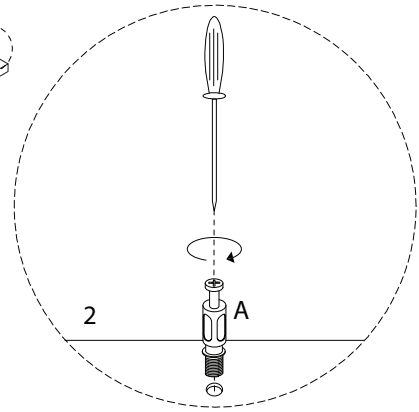
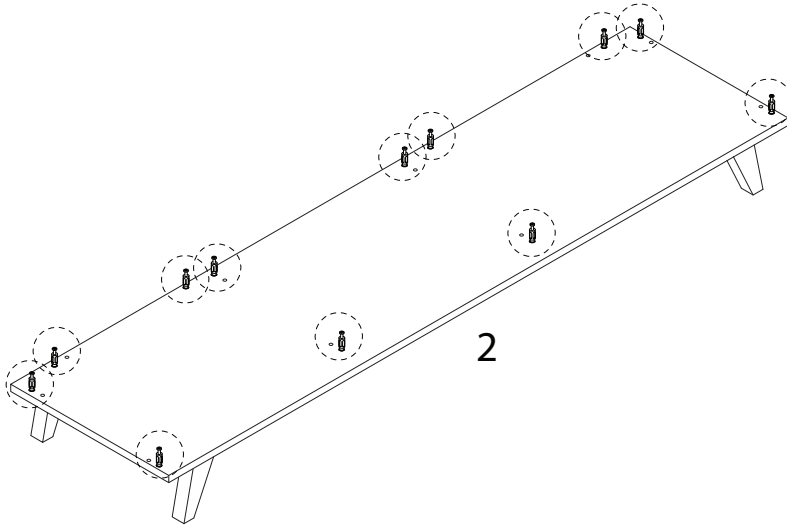
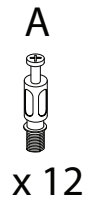
11



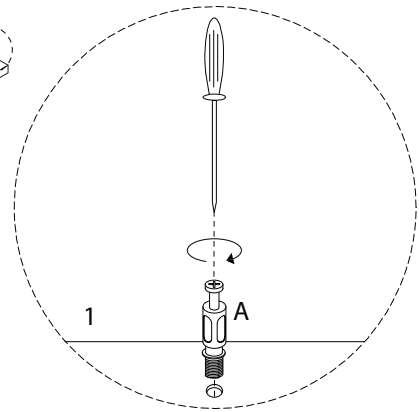
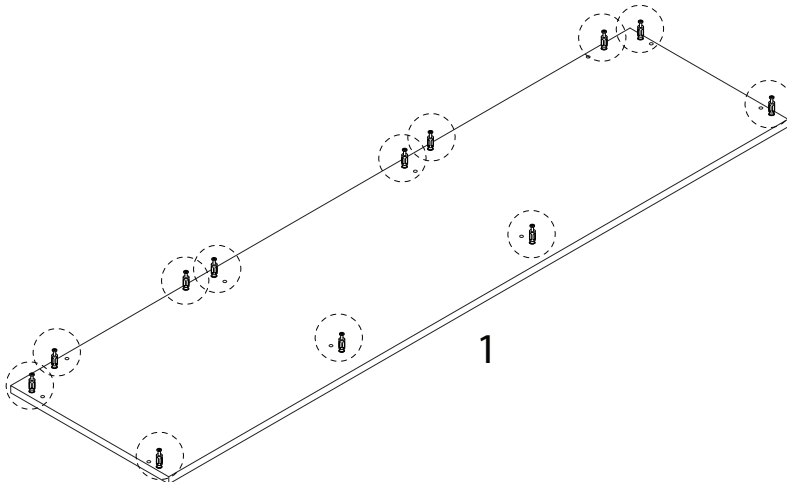
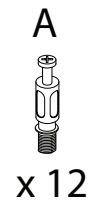
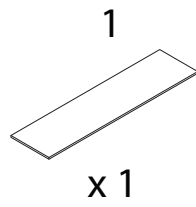
12



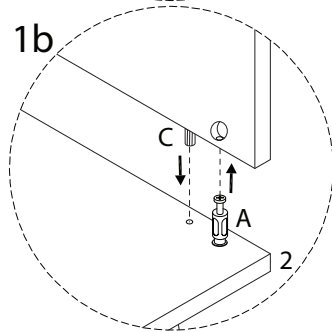
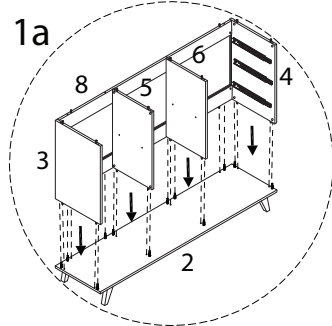
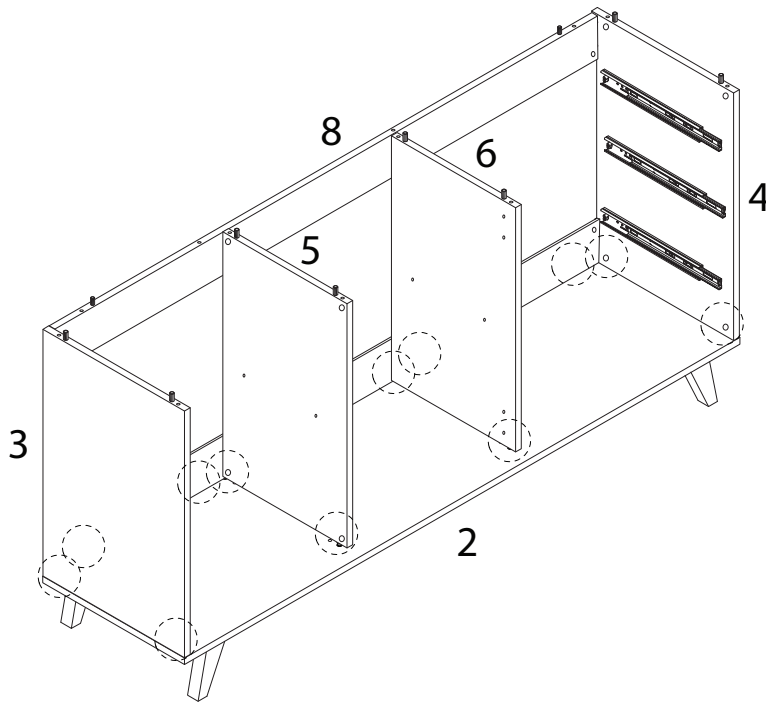
13



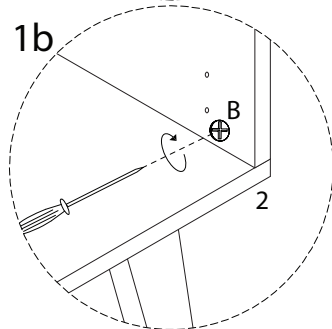
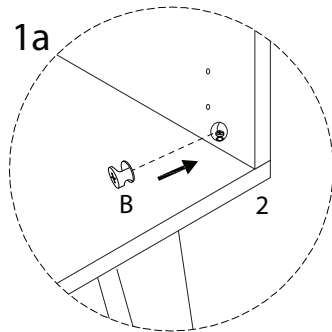
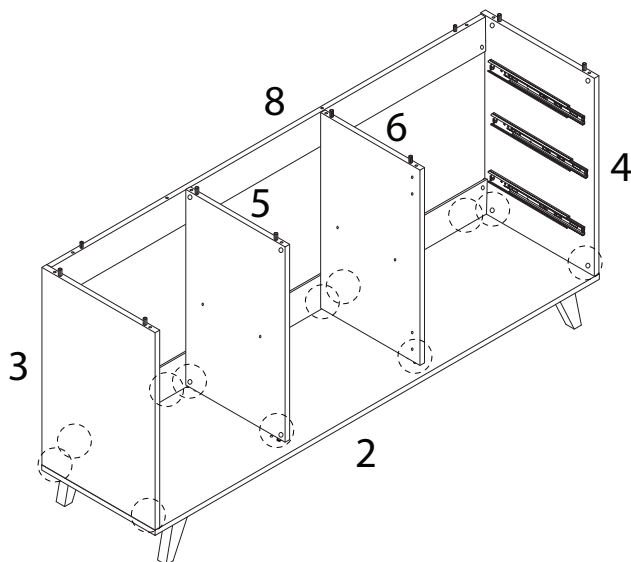
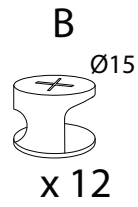
14



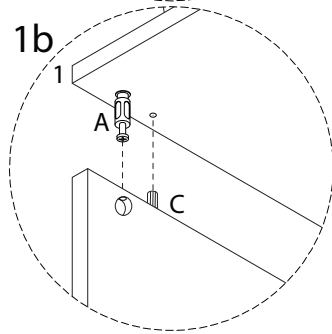
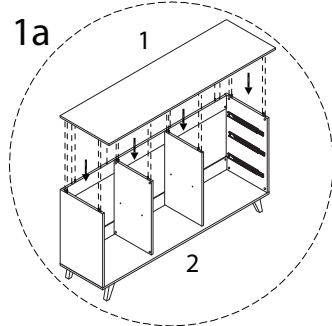
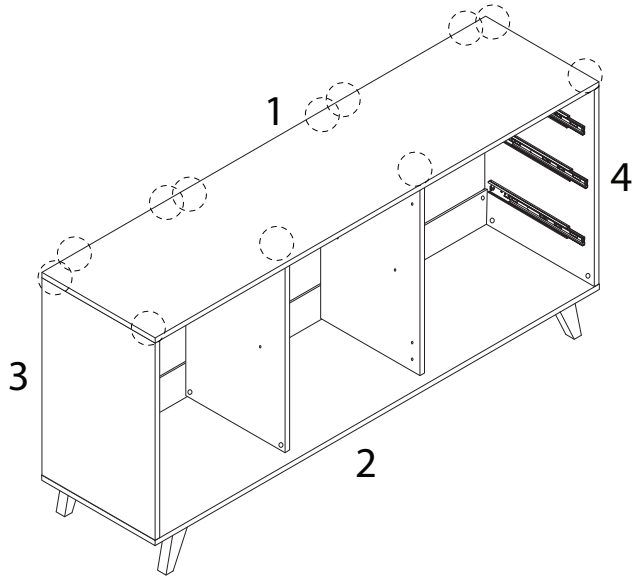
15



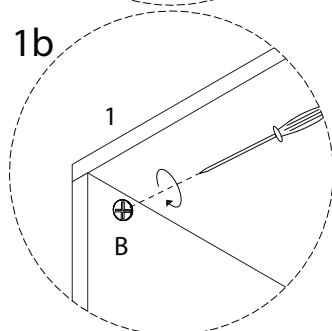
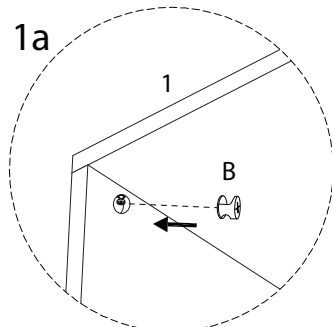
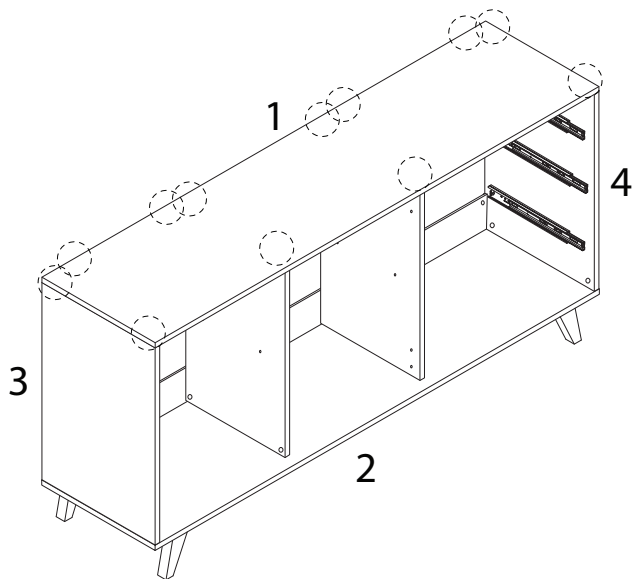
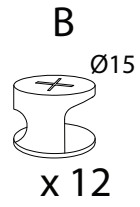
16



17

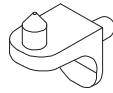


18

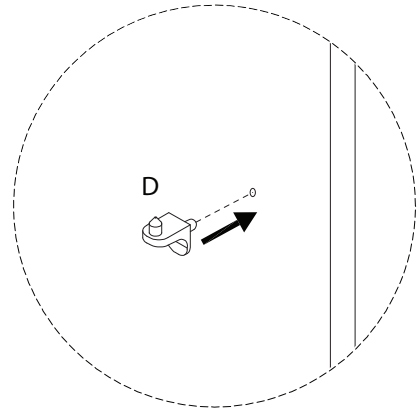
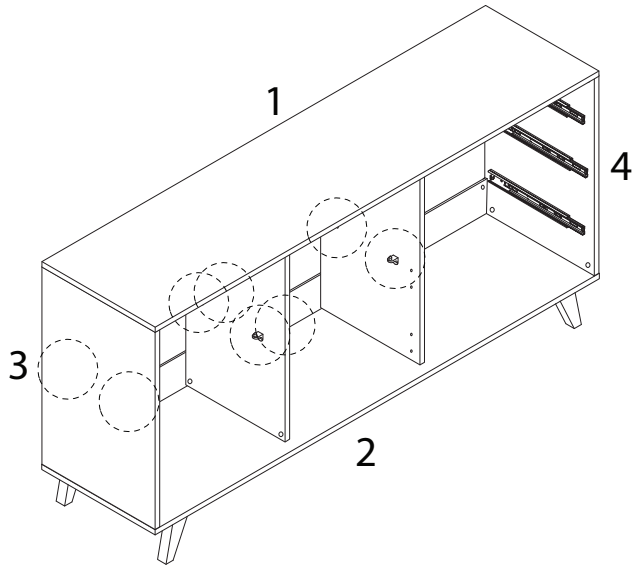


19

D

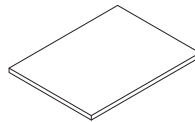


x 8

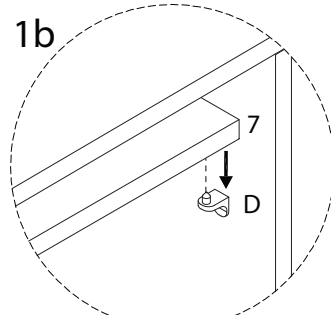
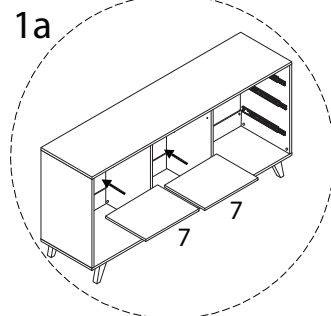
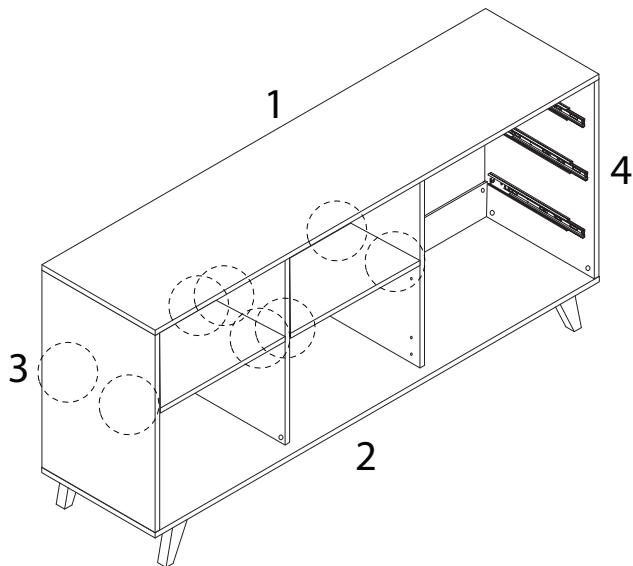


20

7



x 2

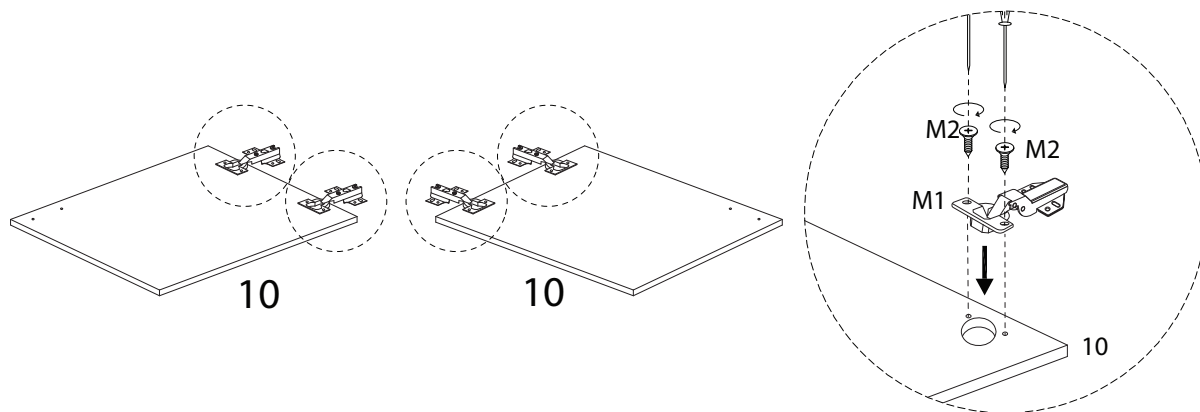


21

10
x 2

M1
x 4

M2
M4
x
16
x 8

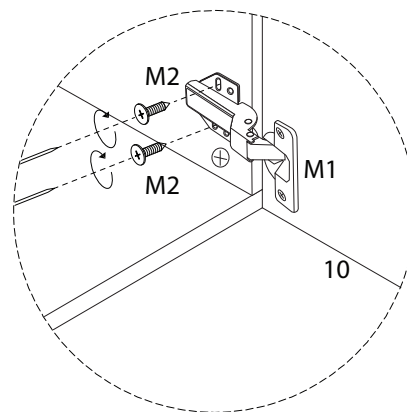
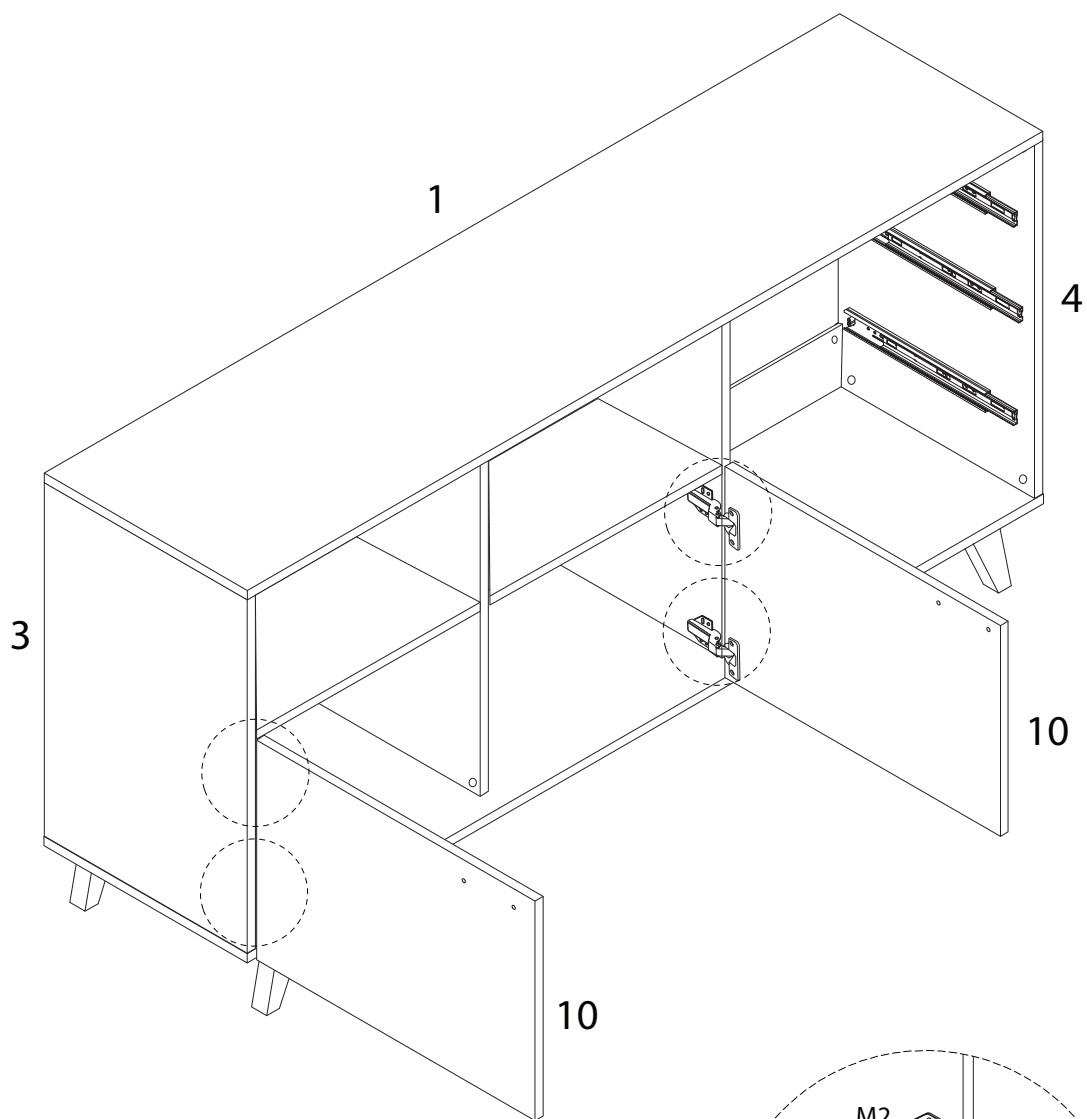


22

M2

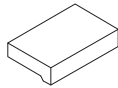


x 8



23

H

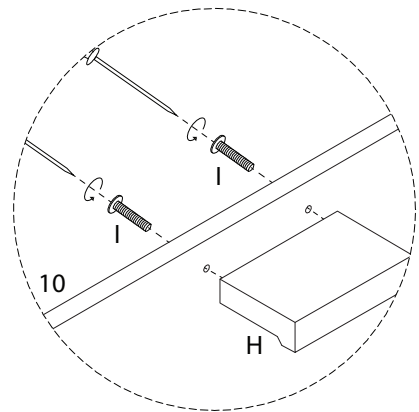
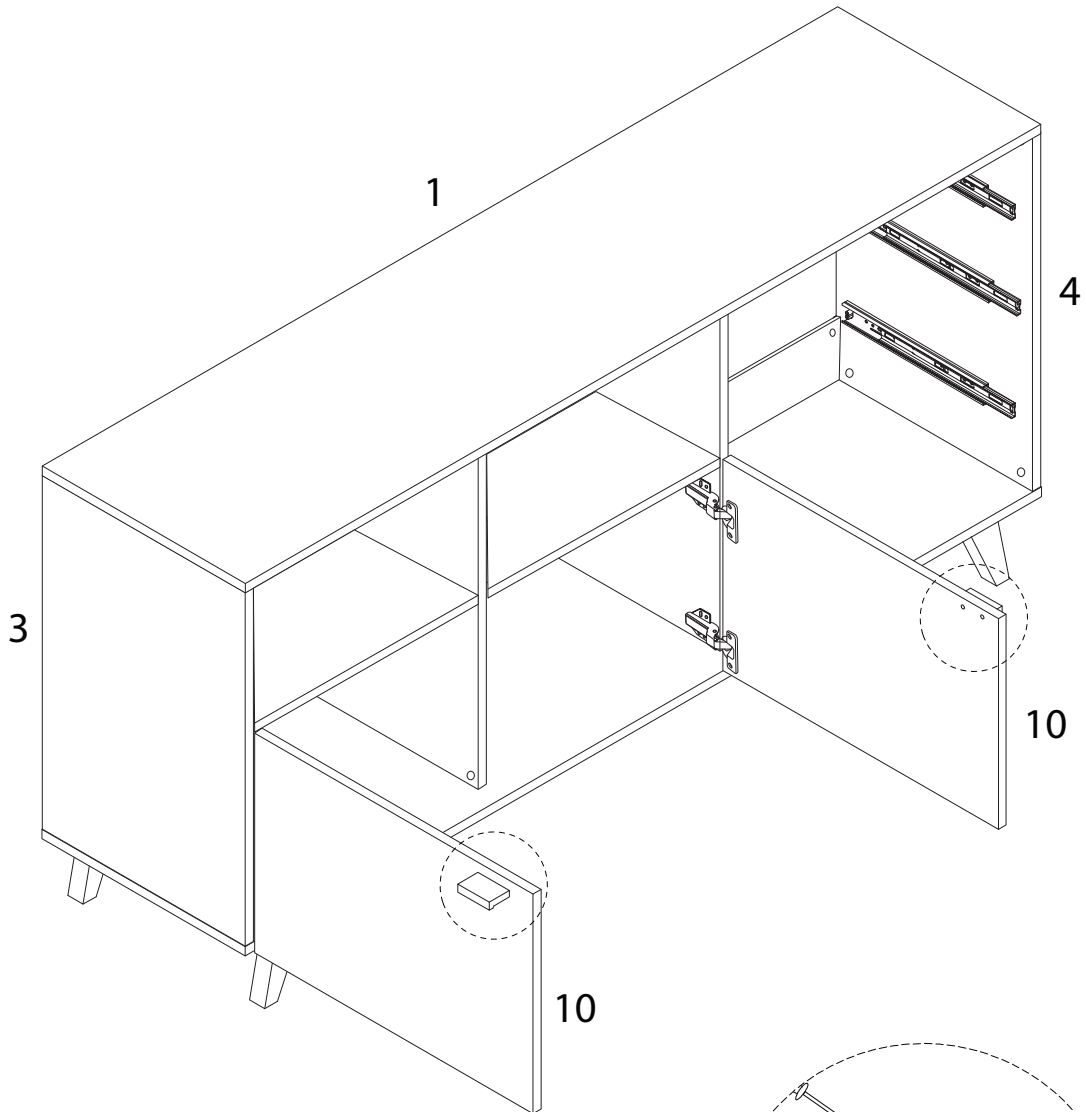


x 2

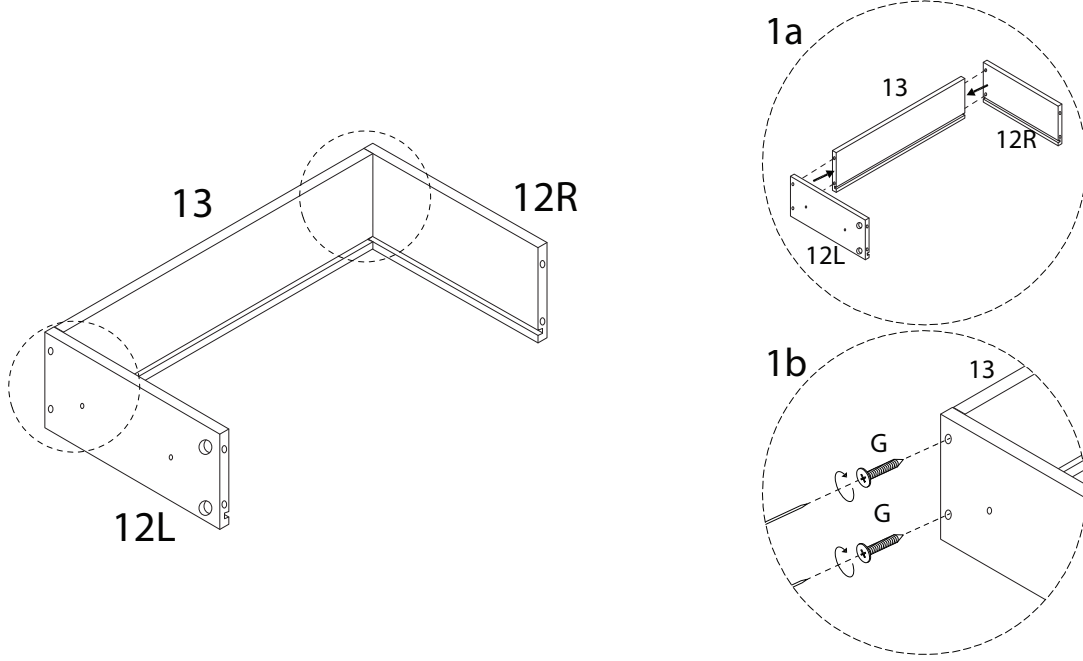
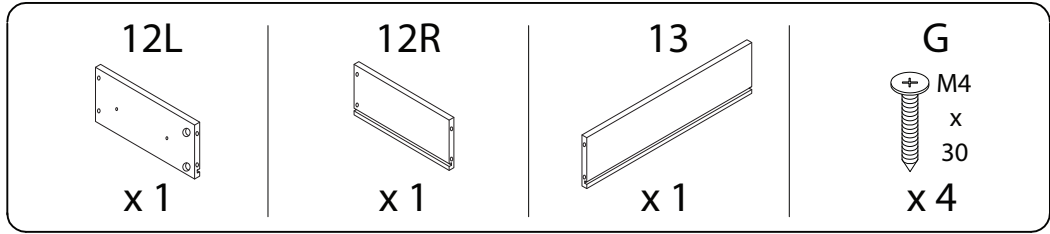
I



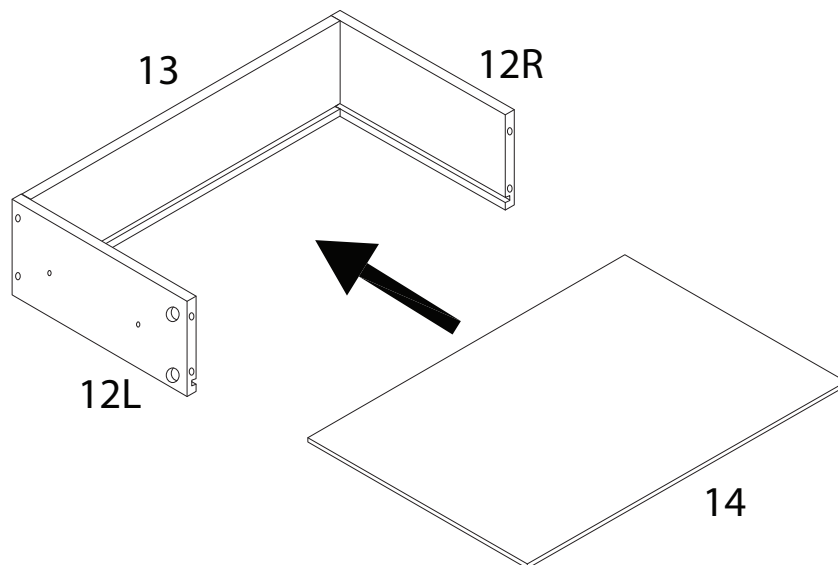
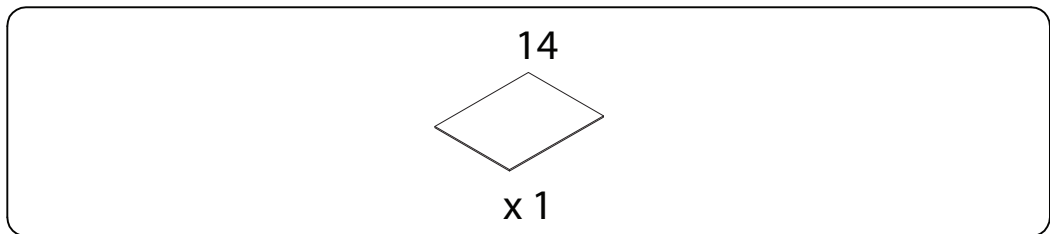
x 4



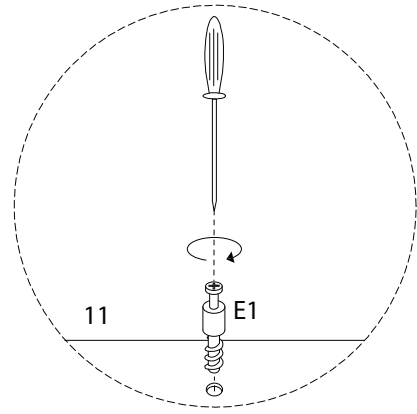
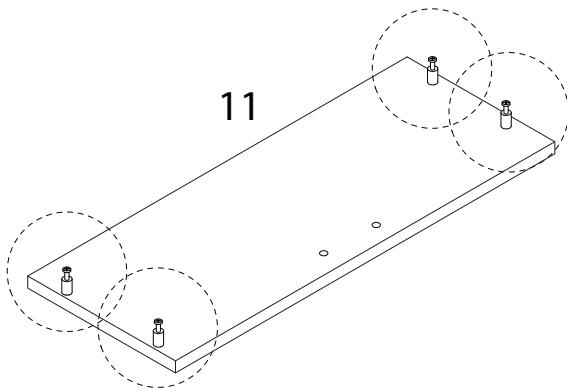
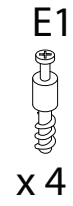
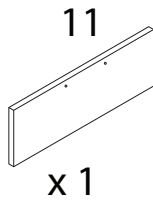
24 x 3



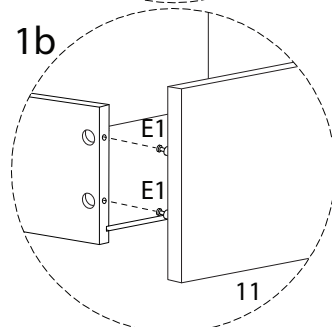
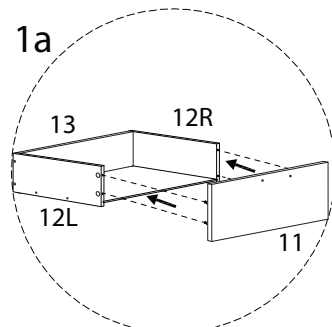
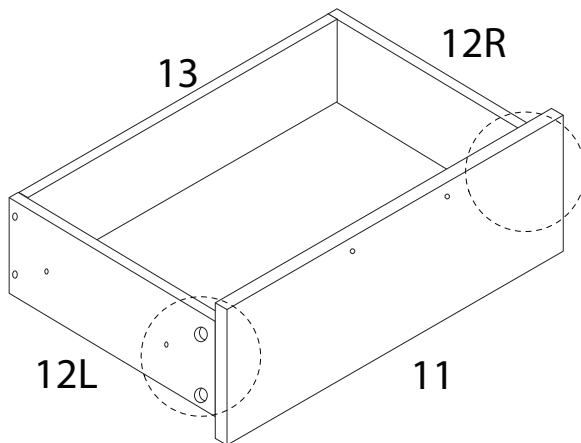
25 x 3



26 x 3



27 x 3



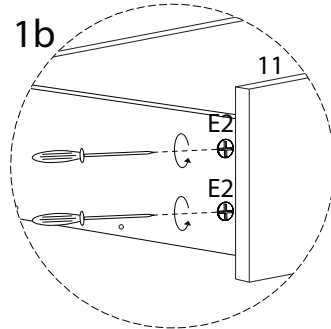
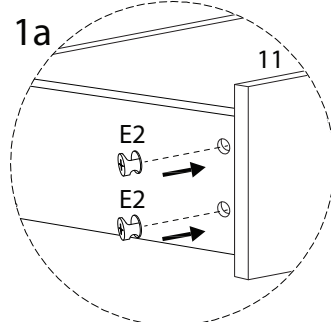
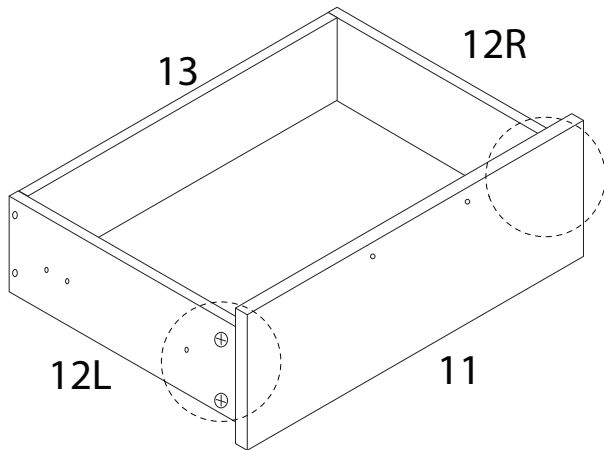
28 x 3

E2

Ø12

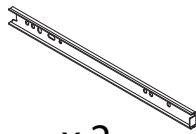


x 4



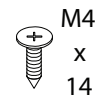
29 x 3

J2

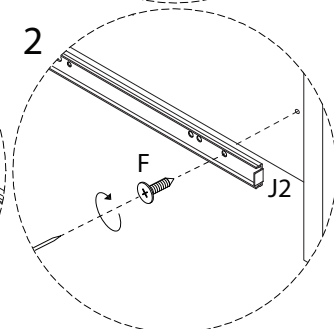
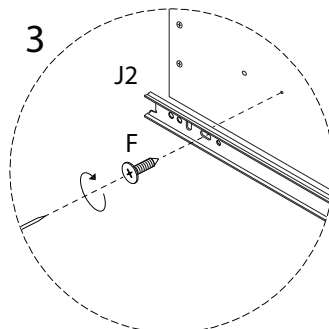
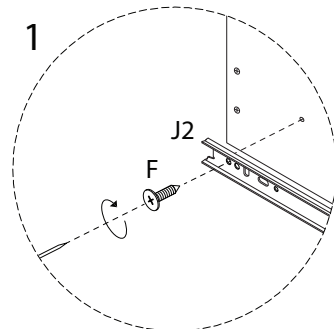
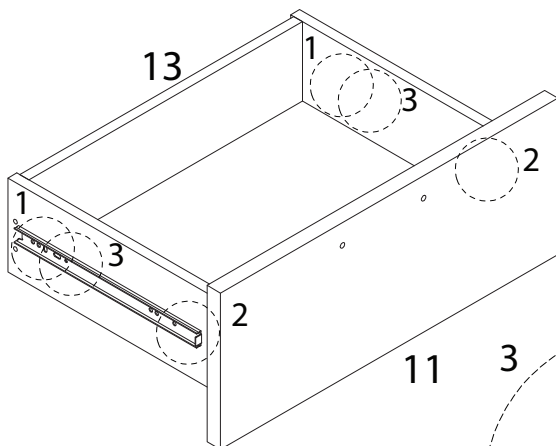


x 2

F

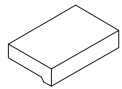


x 6



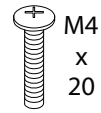
30 x 3

H

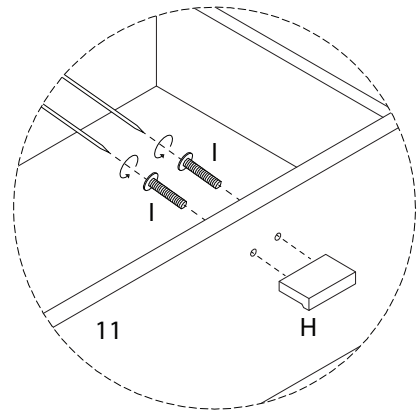
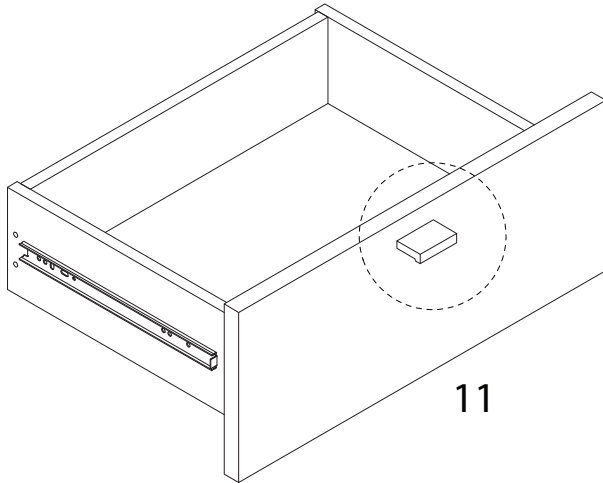


x 1

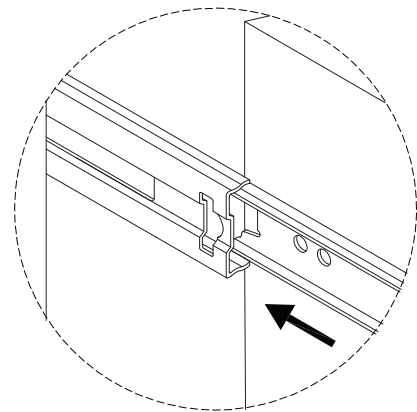
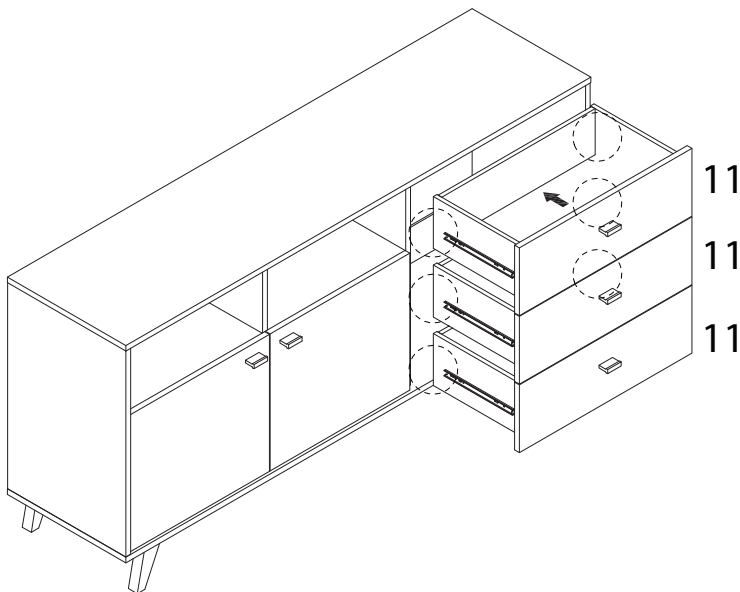
I



x 2

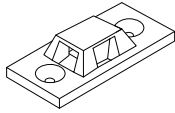


31



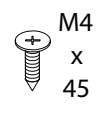
32

P2

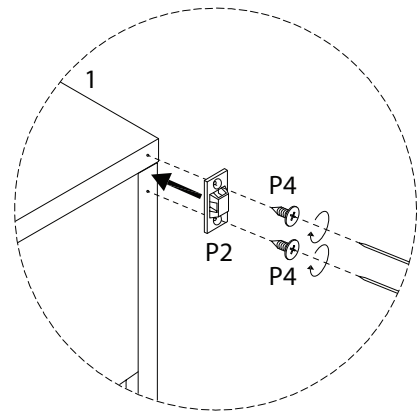
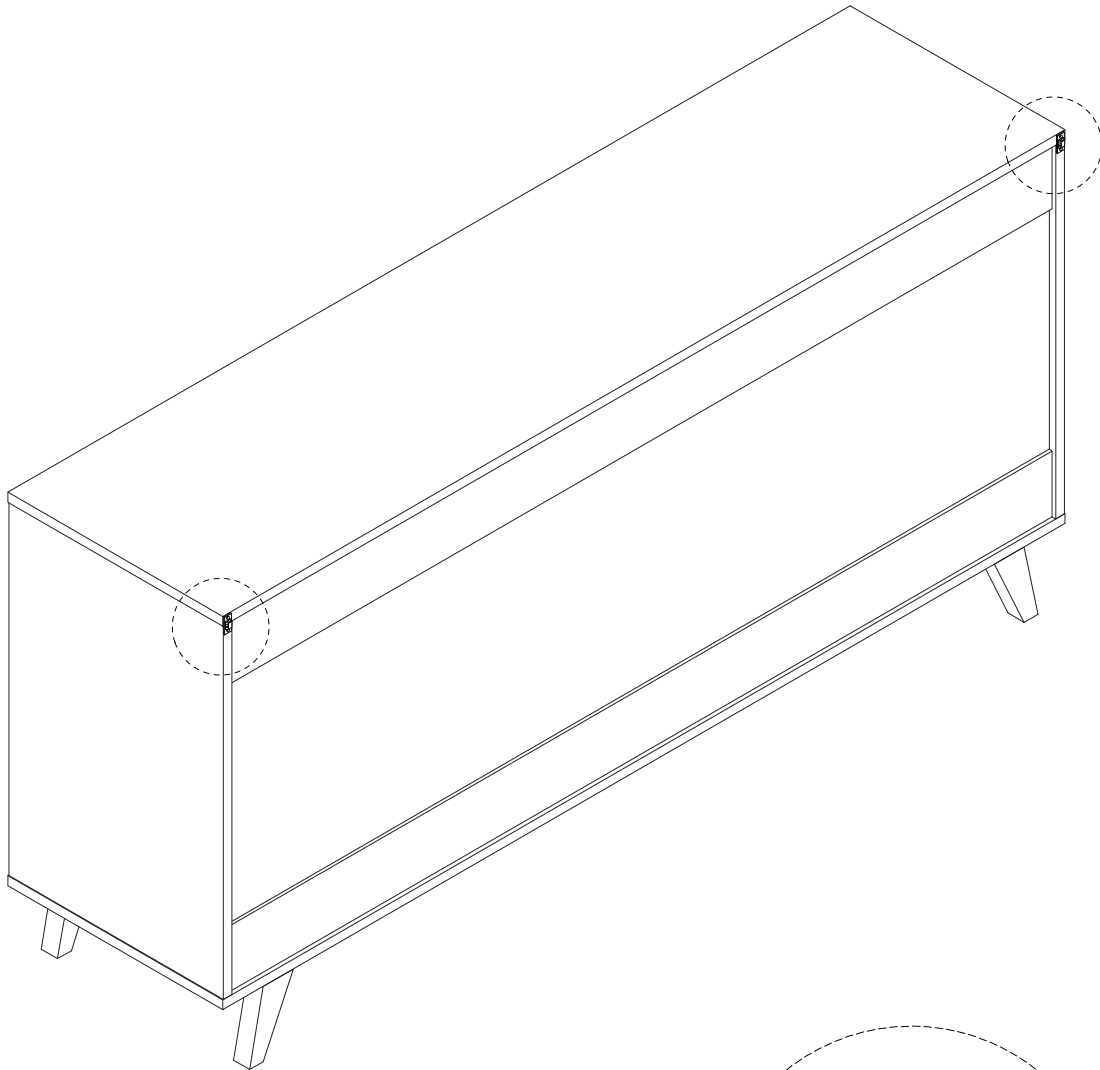


x 2

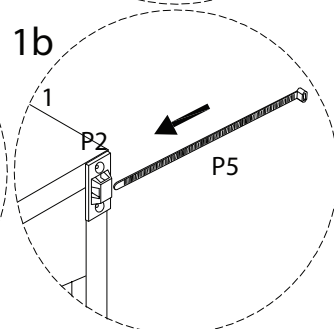
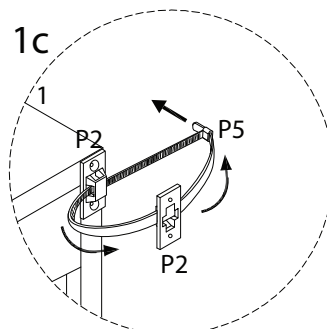
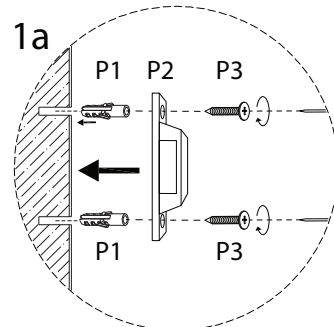
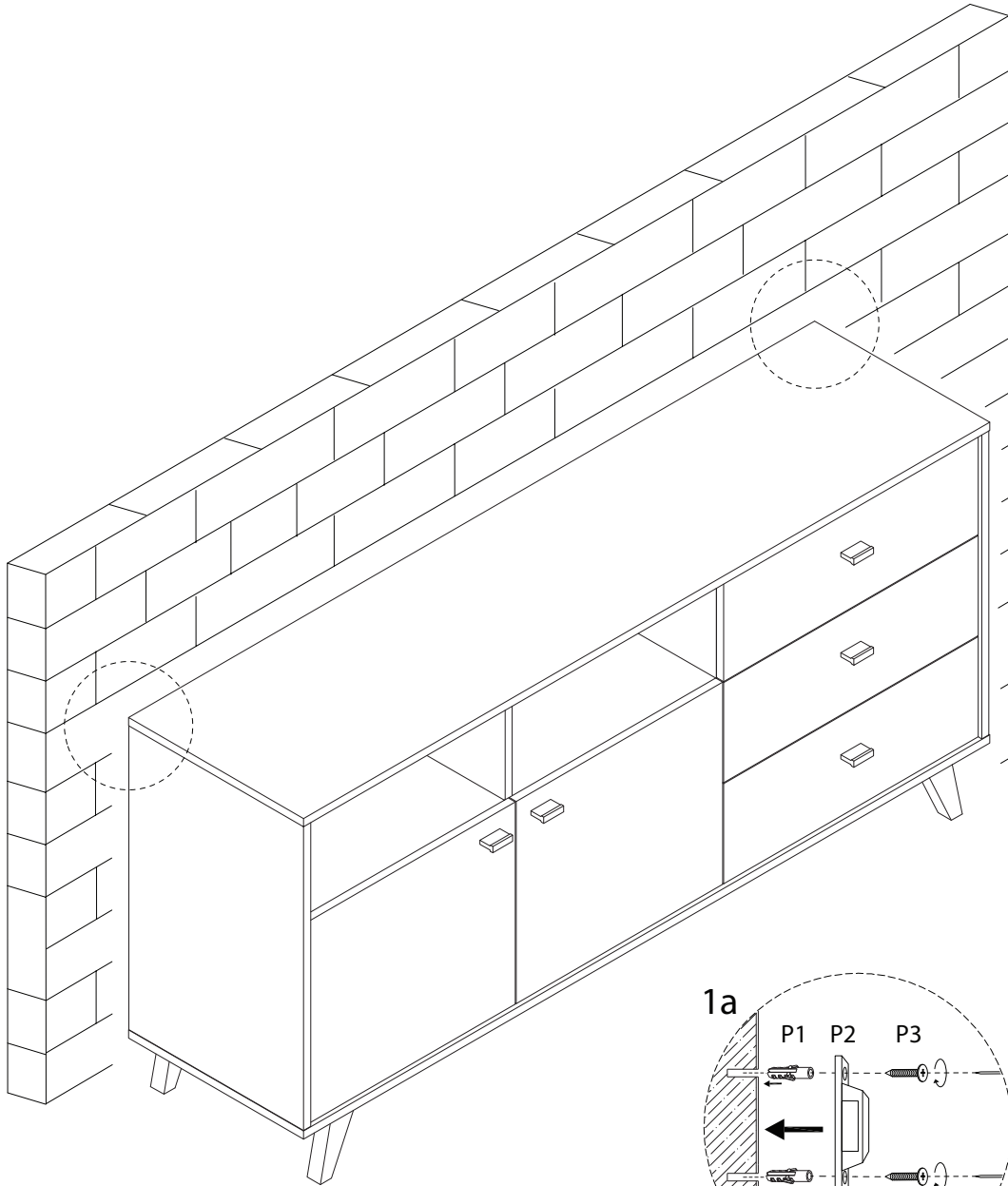
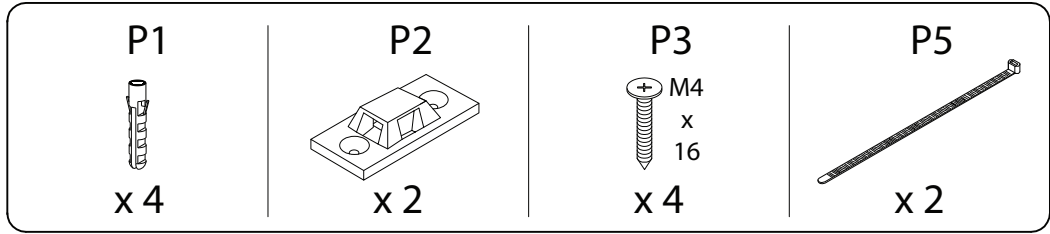
P4



x 4



33



!

