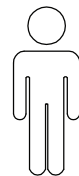
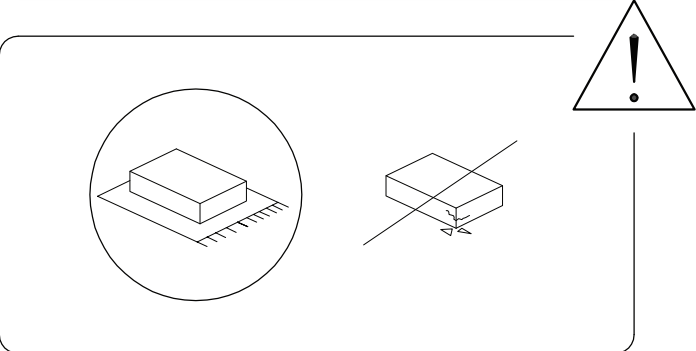
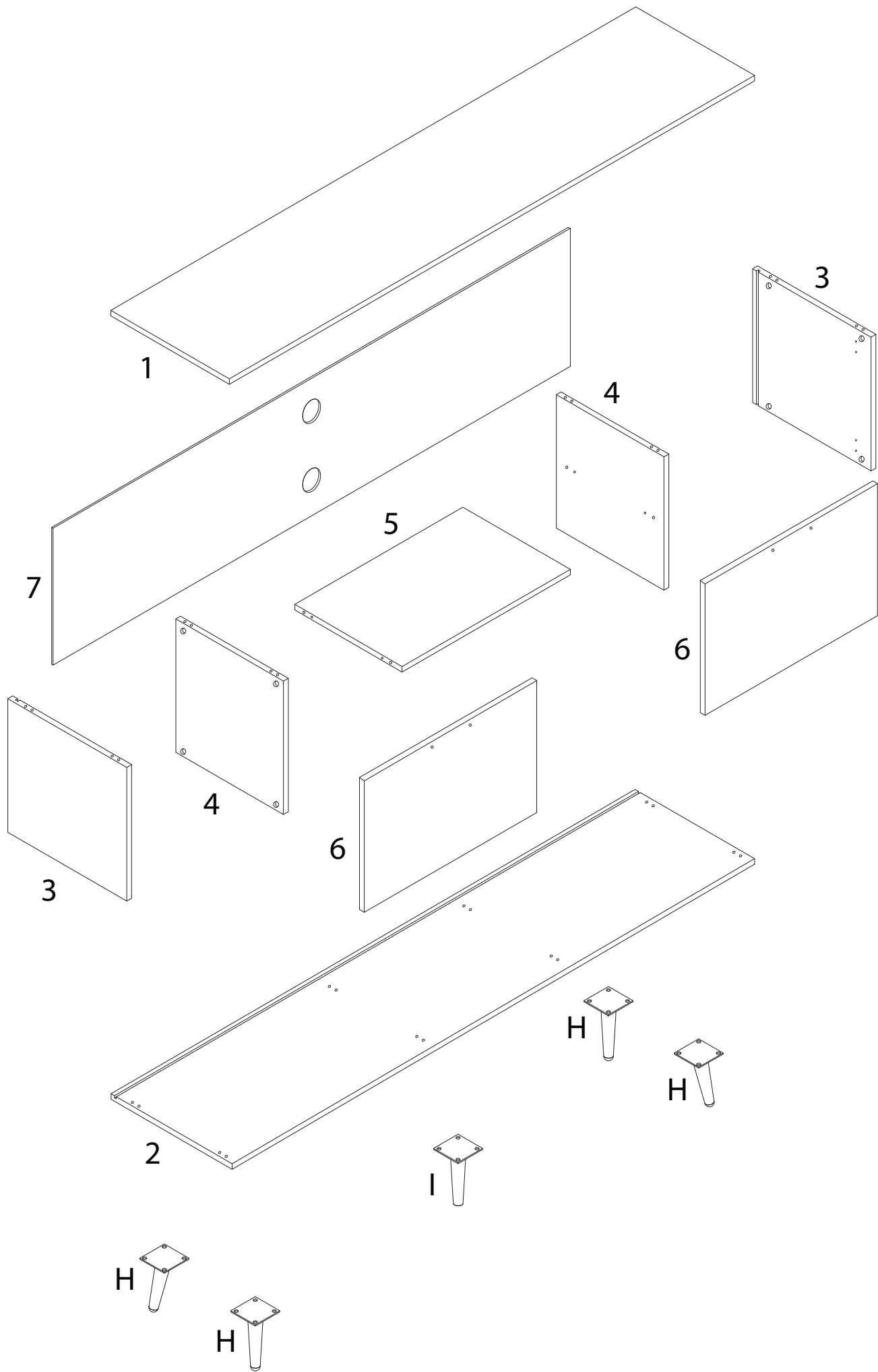


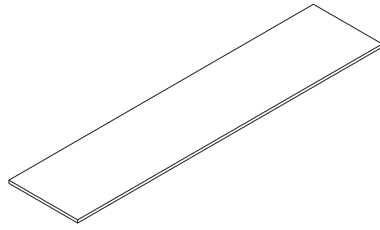
60'



2

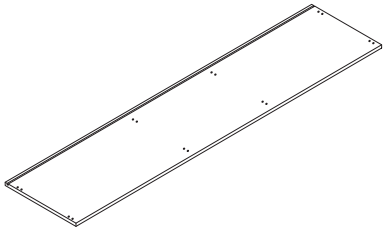


1



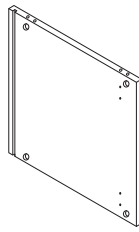
x 1

2



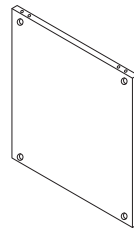
x 1

3



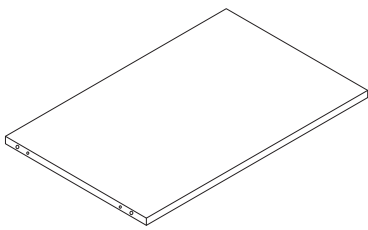
x 2

4



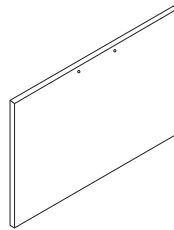
x 2

5



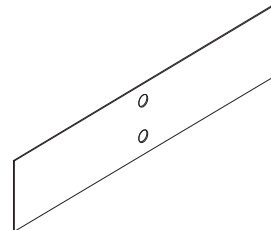
x 1

6



x 2

7



x 1

A



x 20

B



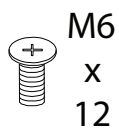
x 20

C



x 20

E



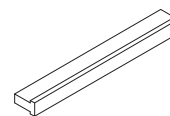
x 20

F



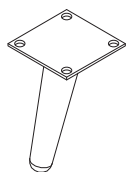
x 4

G



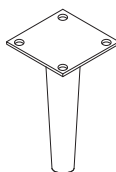
x 2

H



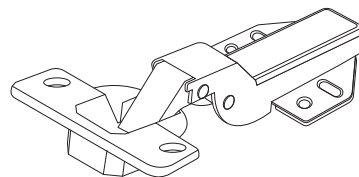
x 4

I



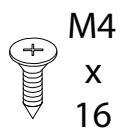
x 1

J1



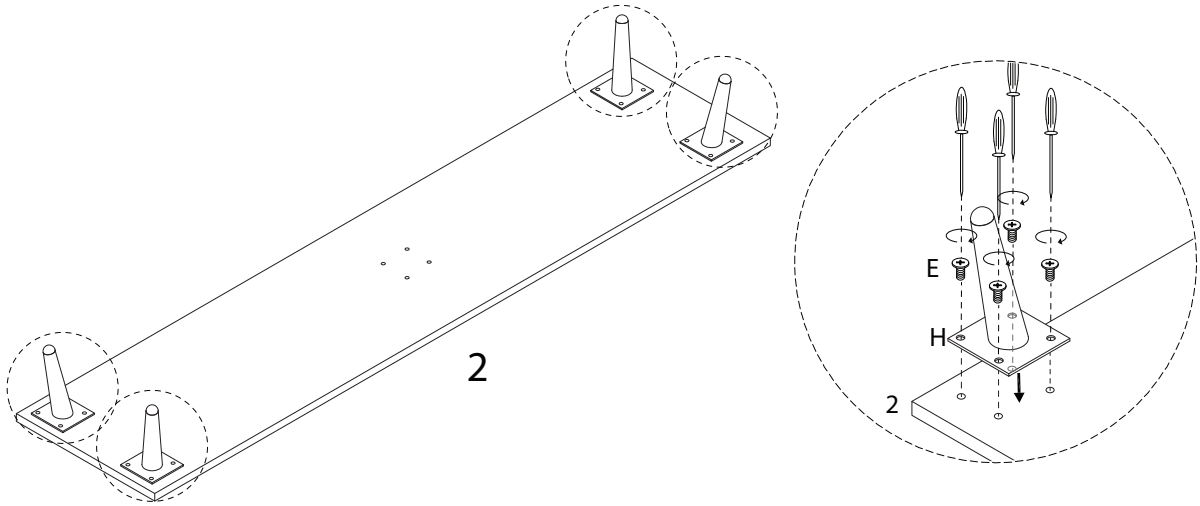
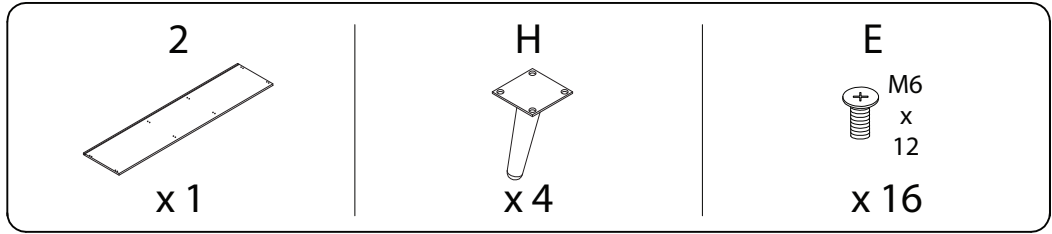
x 4

J2

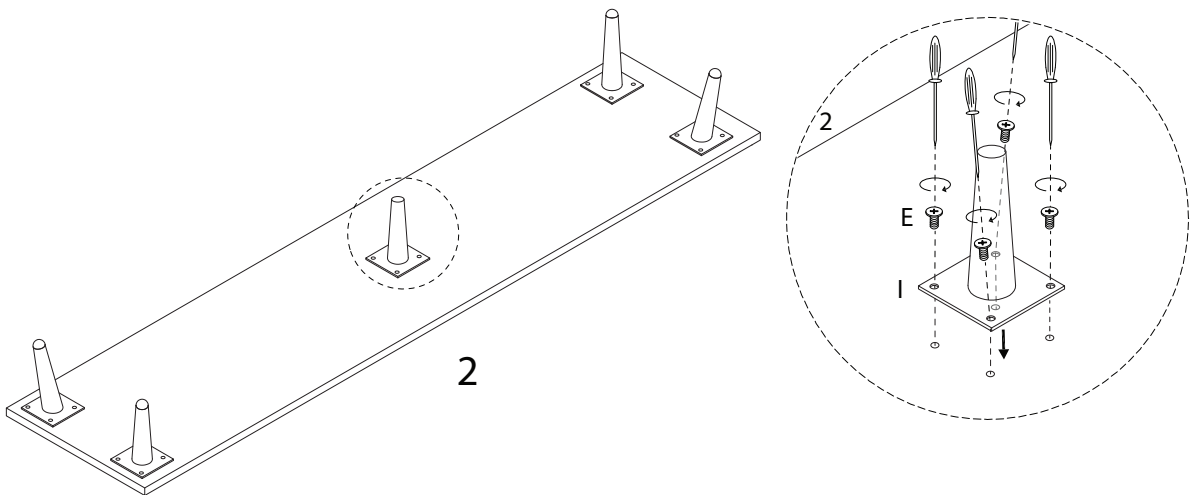
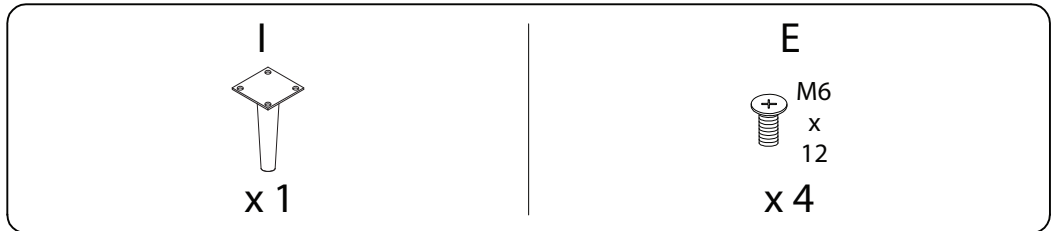


x 16

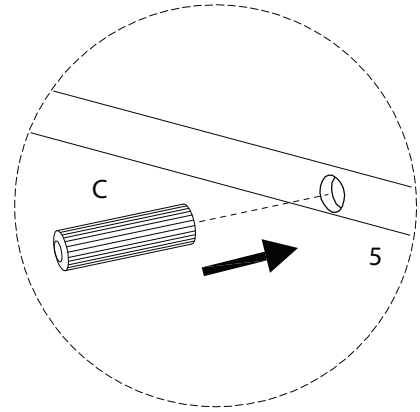
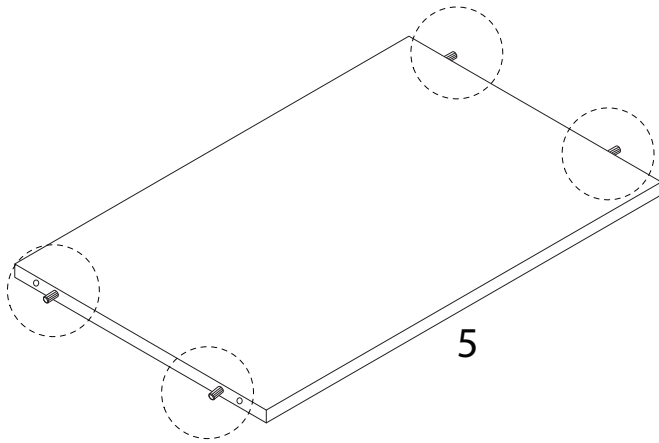
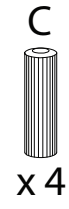
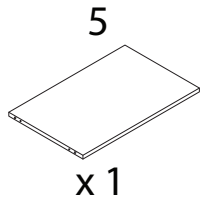
1



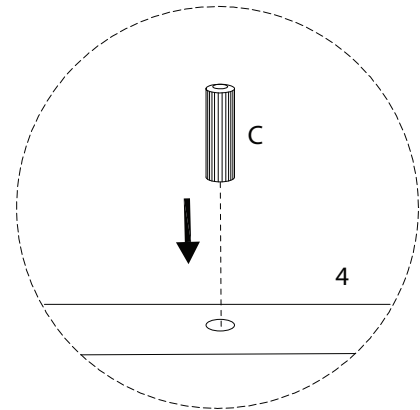
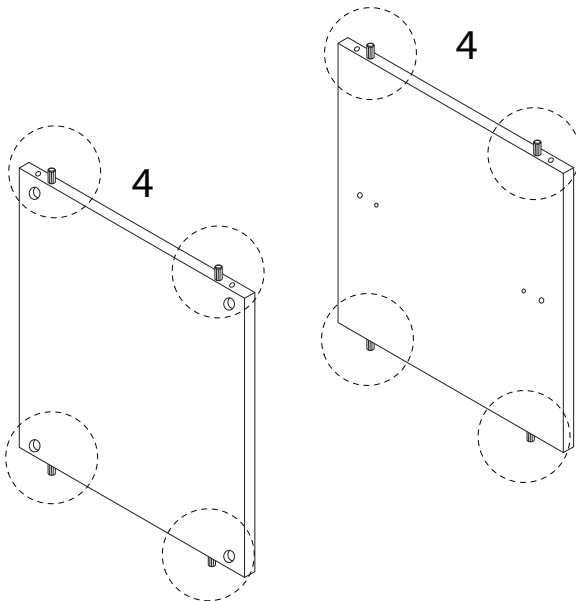
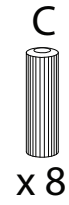
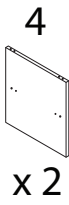
2



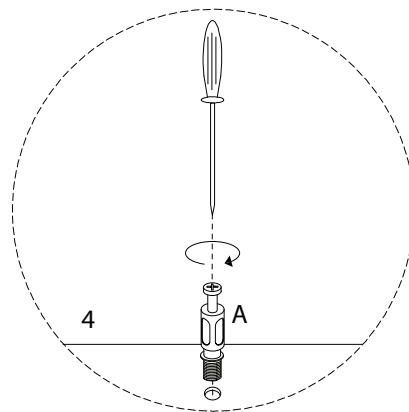
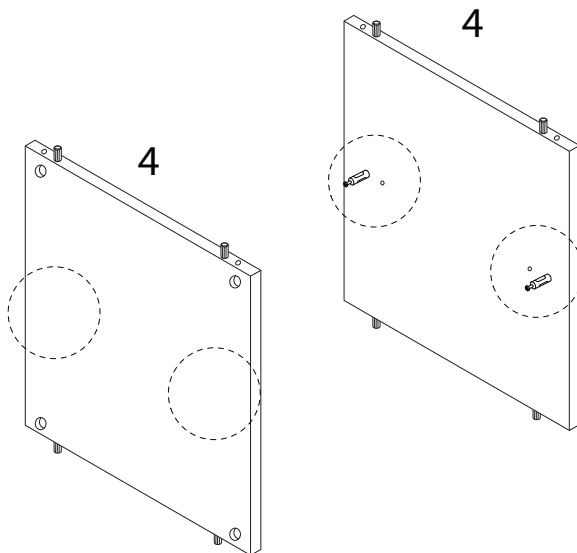
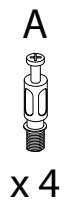
3



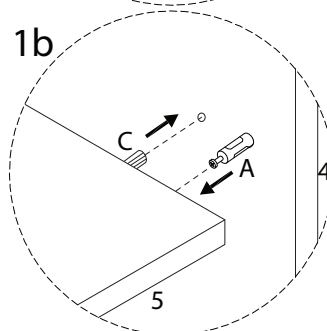
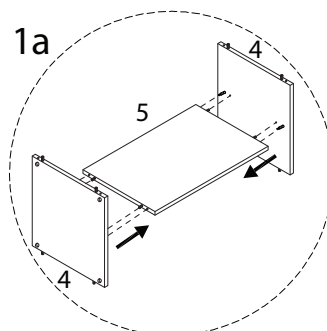
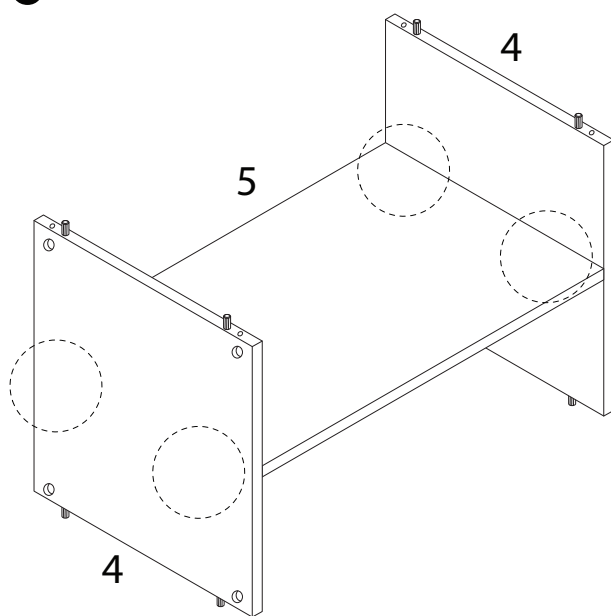
4



5



6

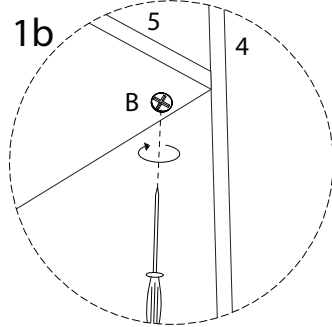
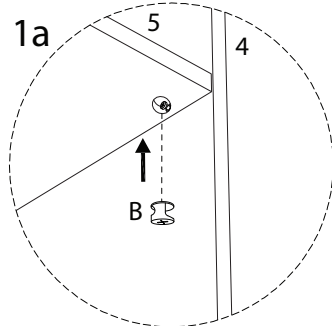
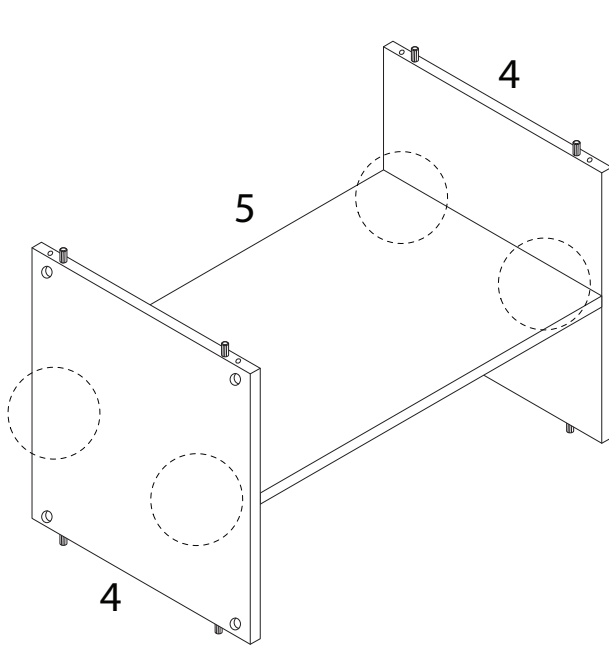


7

B

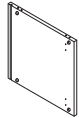


x 4



8

3

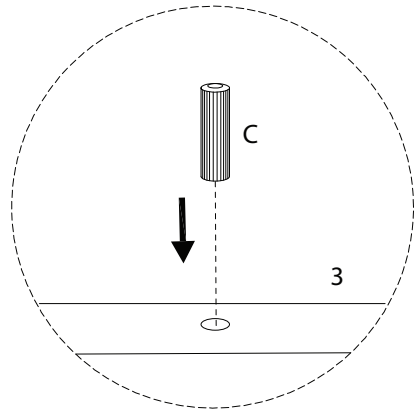
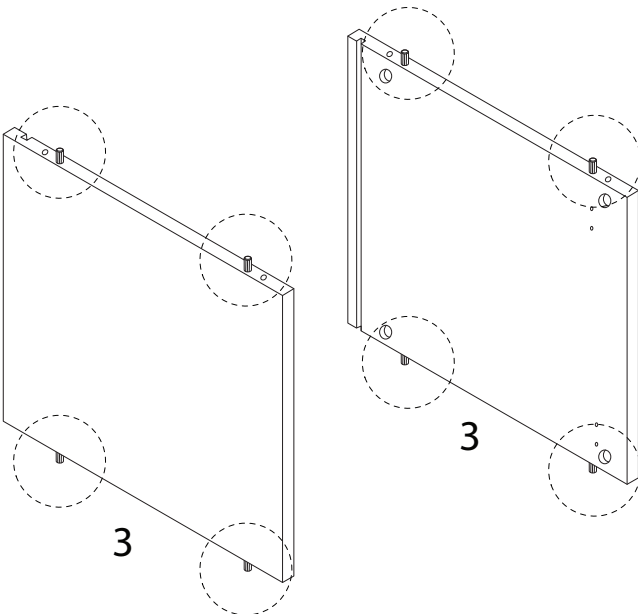


x 2

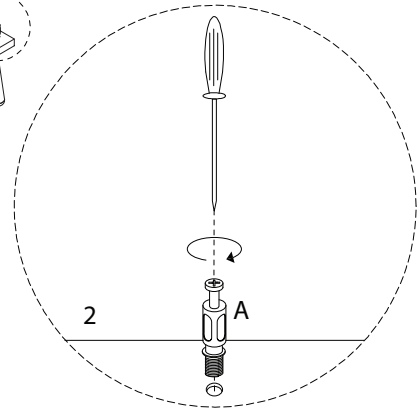
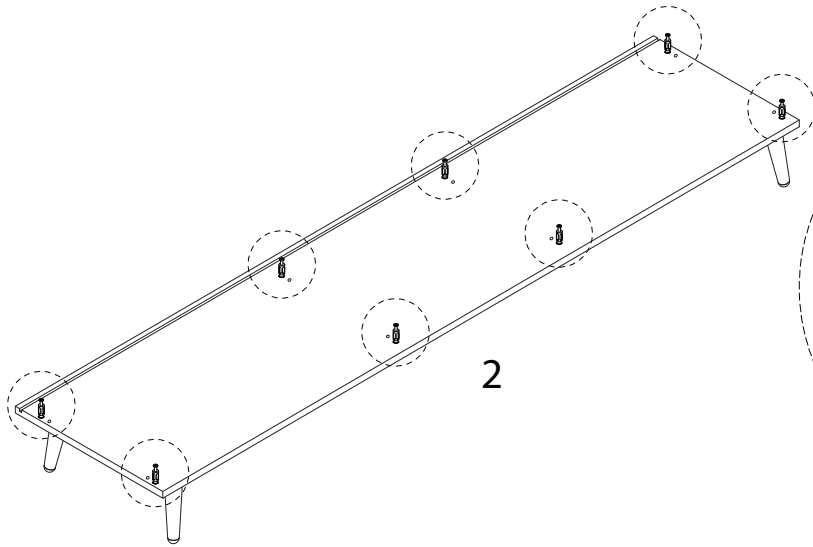
C



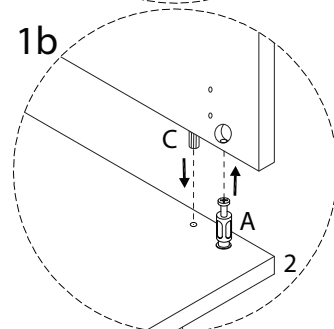
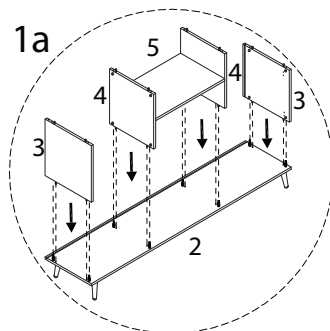
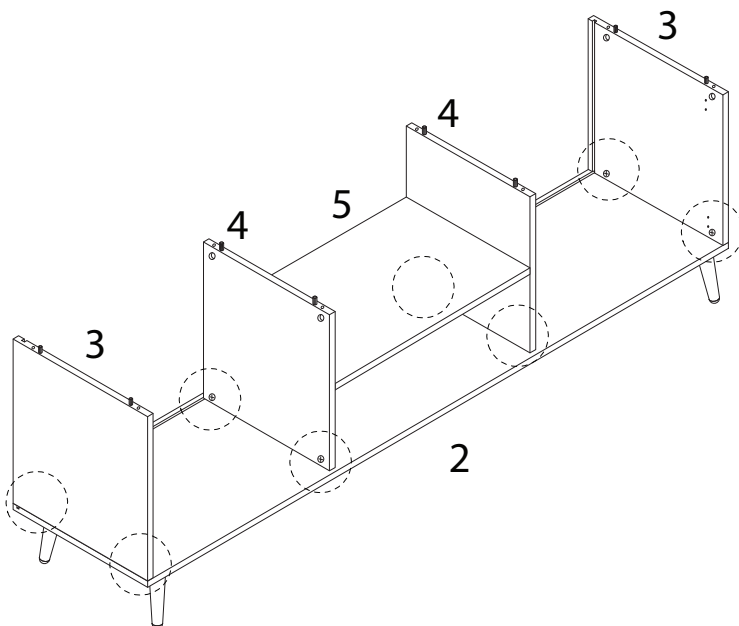
x 8



9



10

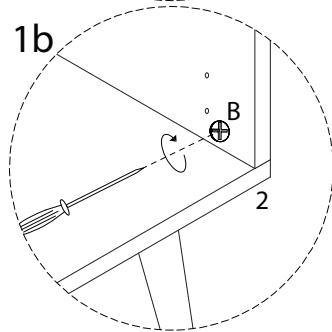
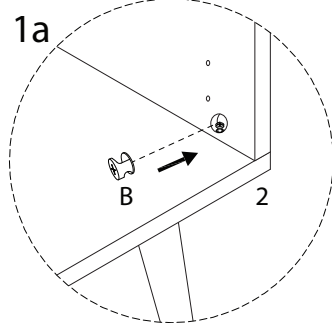
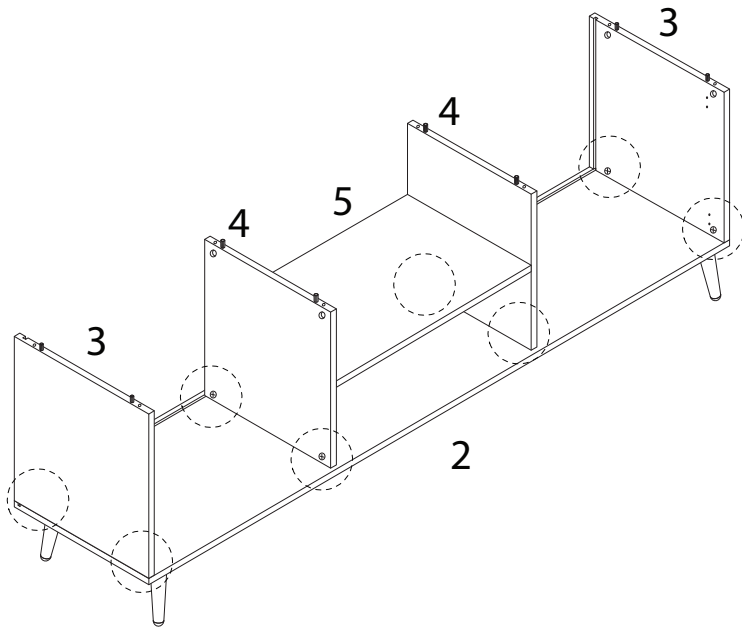


11

B

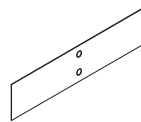


x 8

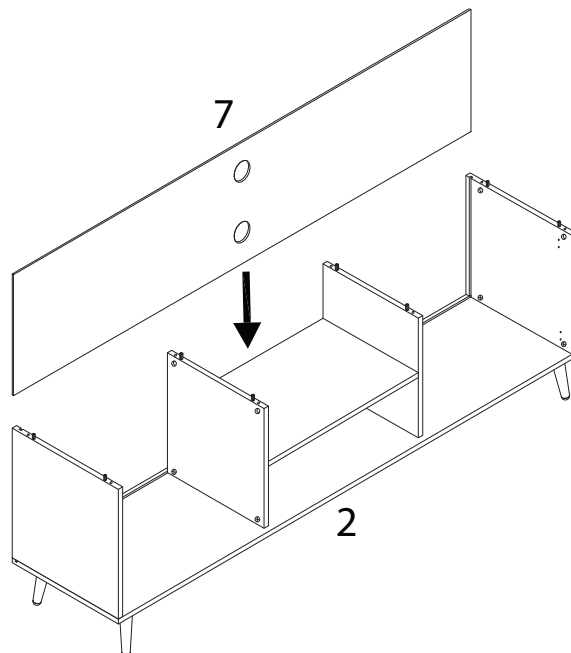


12

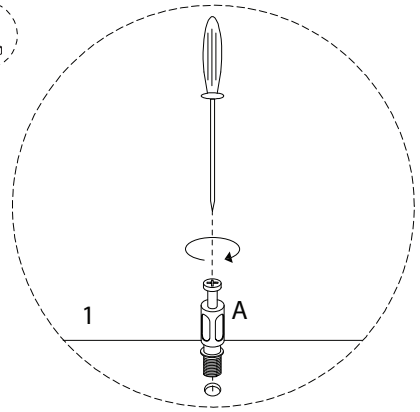
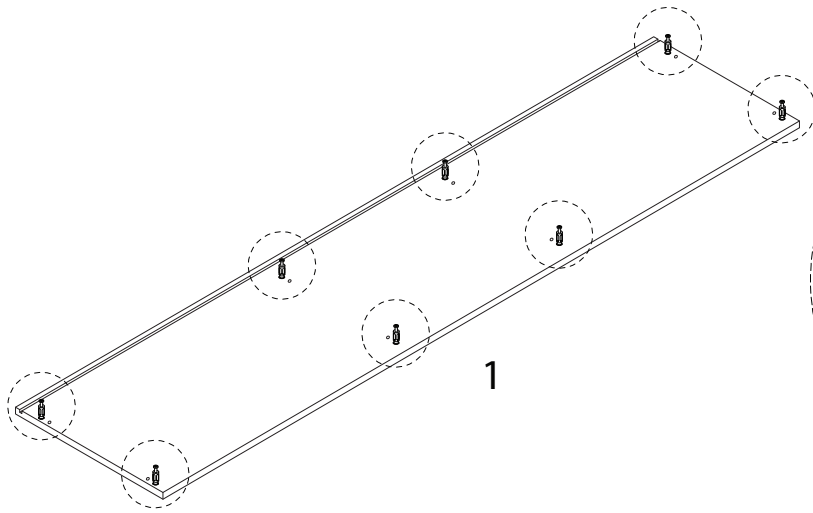
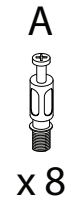
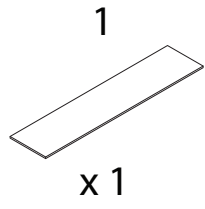
7



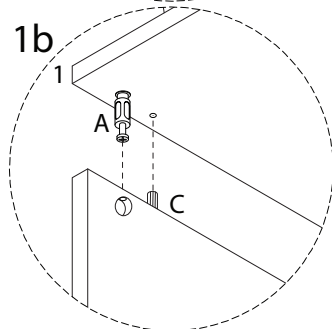
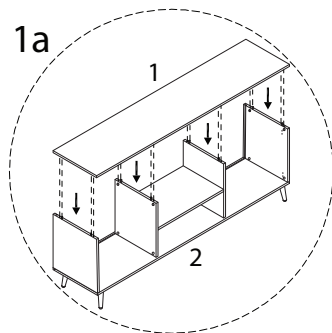
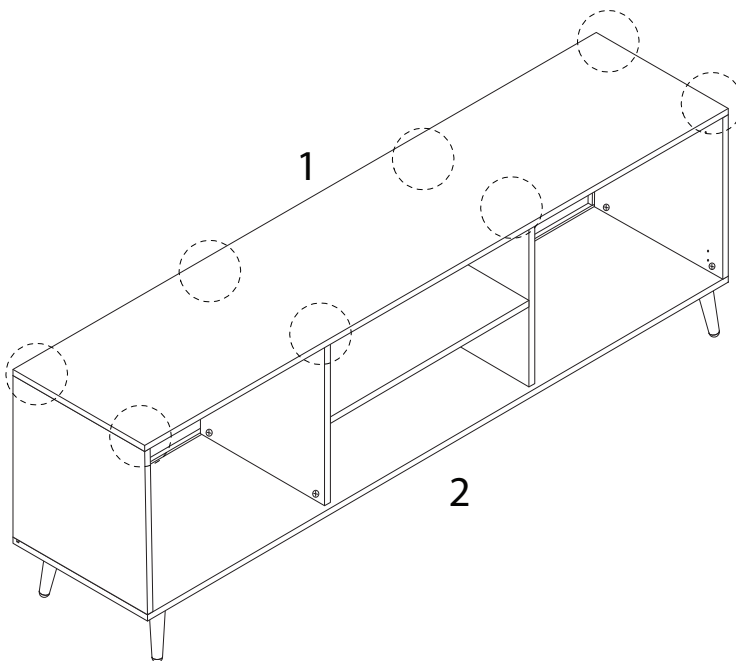
x 1



13



14



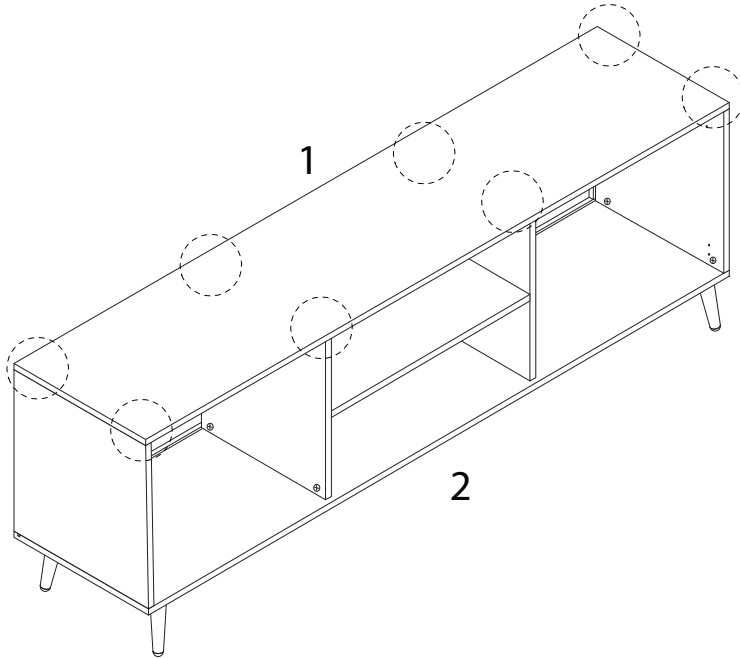
15

B

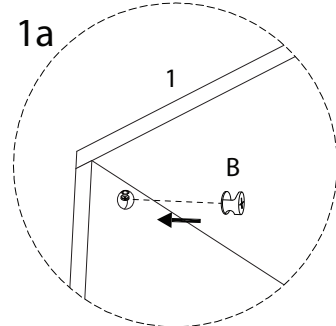
Ø15



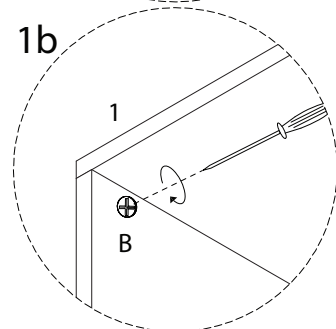
x 8



1a

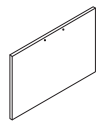


1b



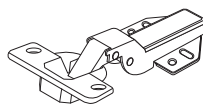
16

6



x 2

J1

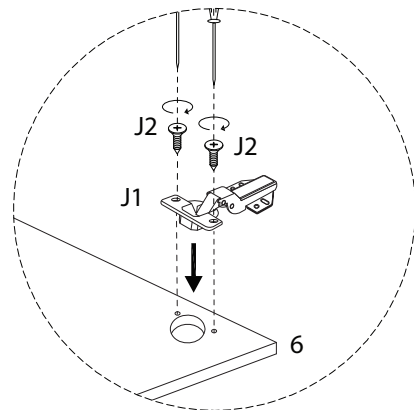
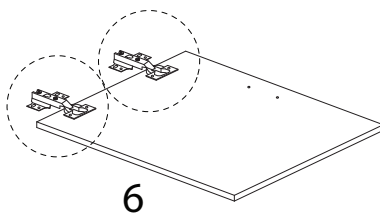
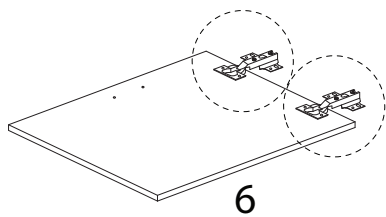


x 4

J2



x 8

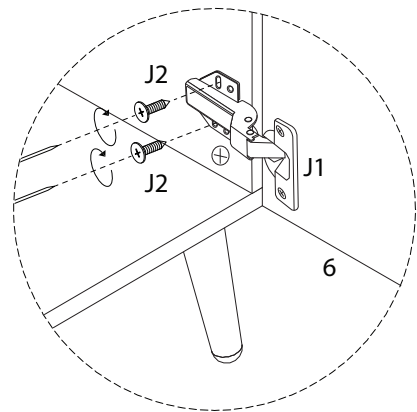
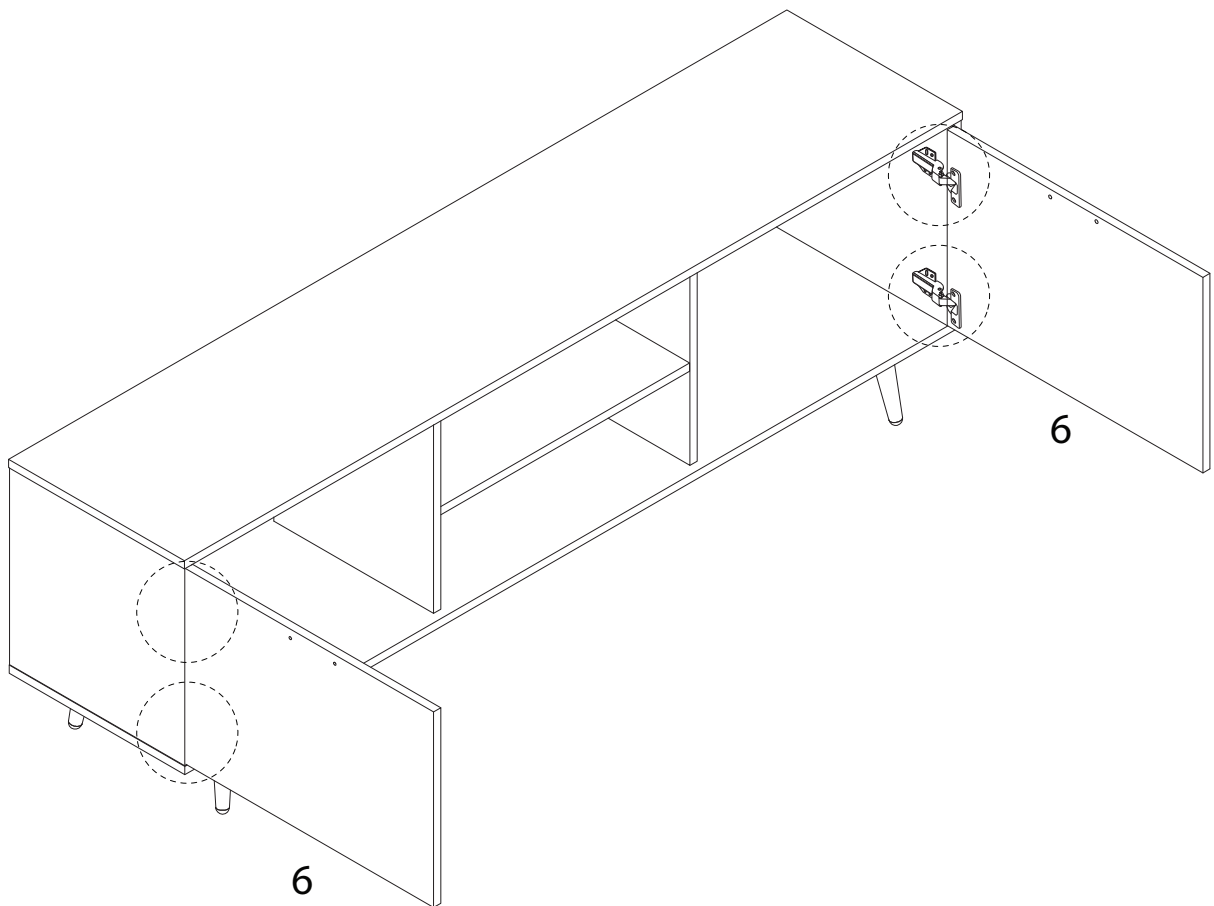


17

J2

M4
x
16

x 8



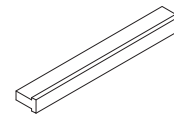
18

F

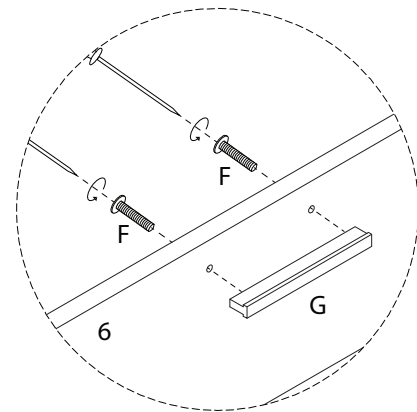
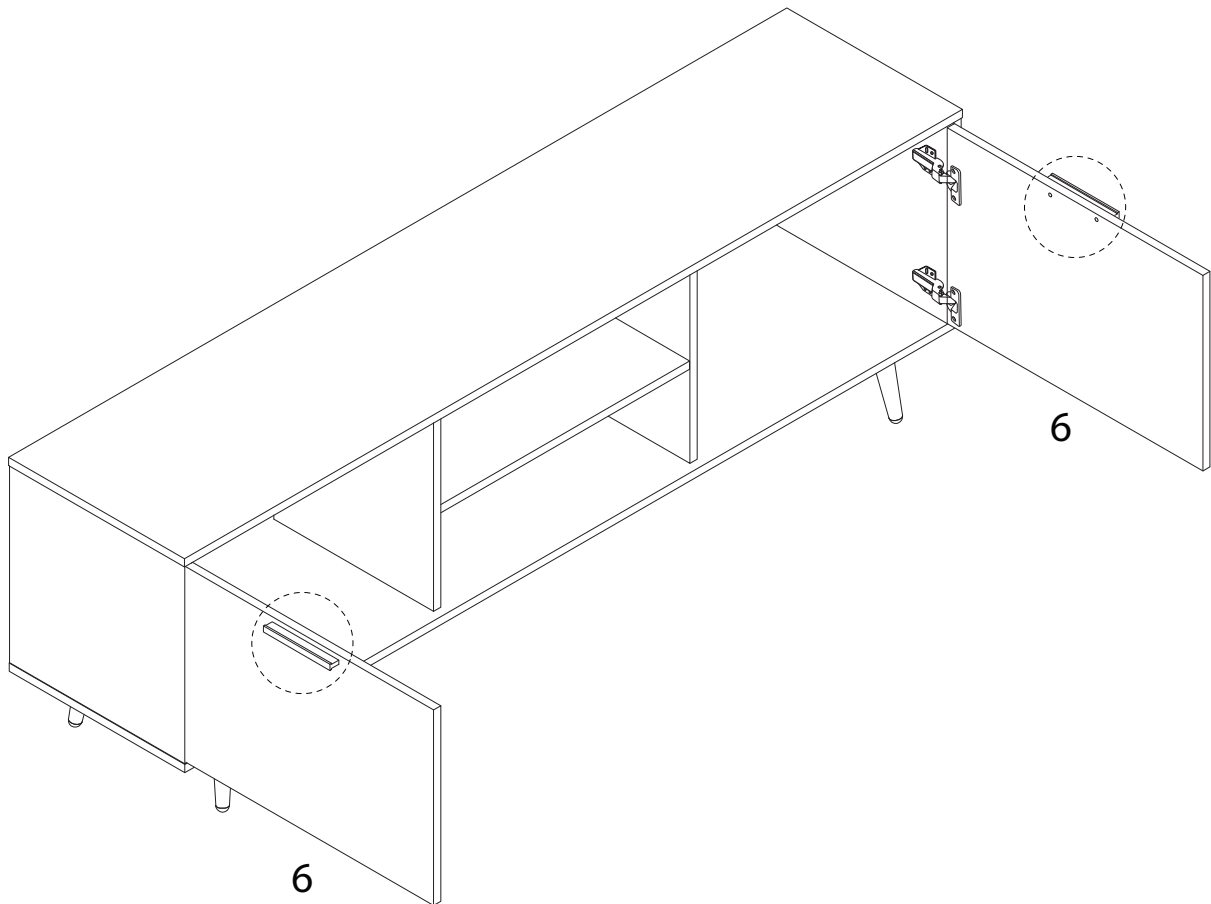


x 4

G



x 2



!

