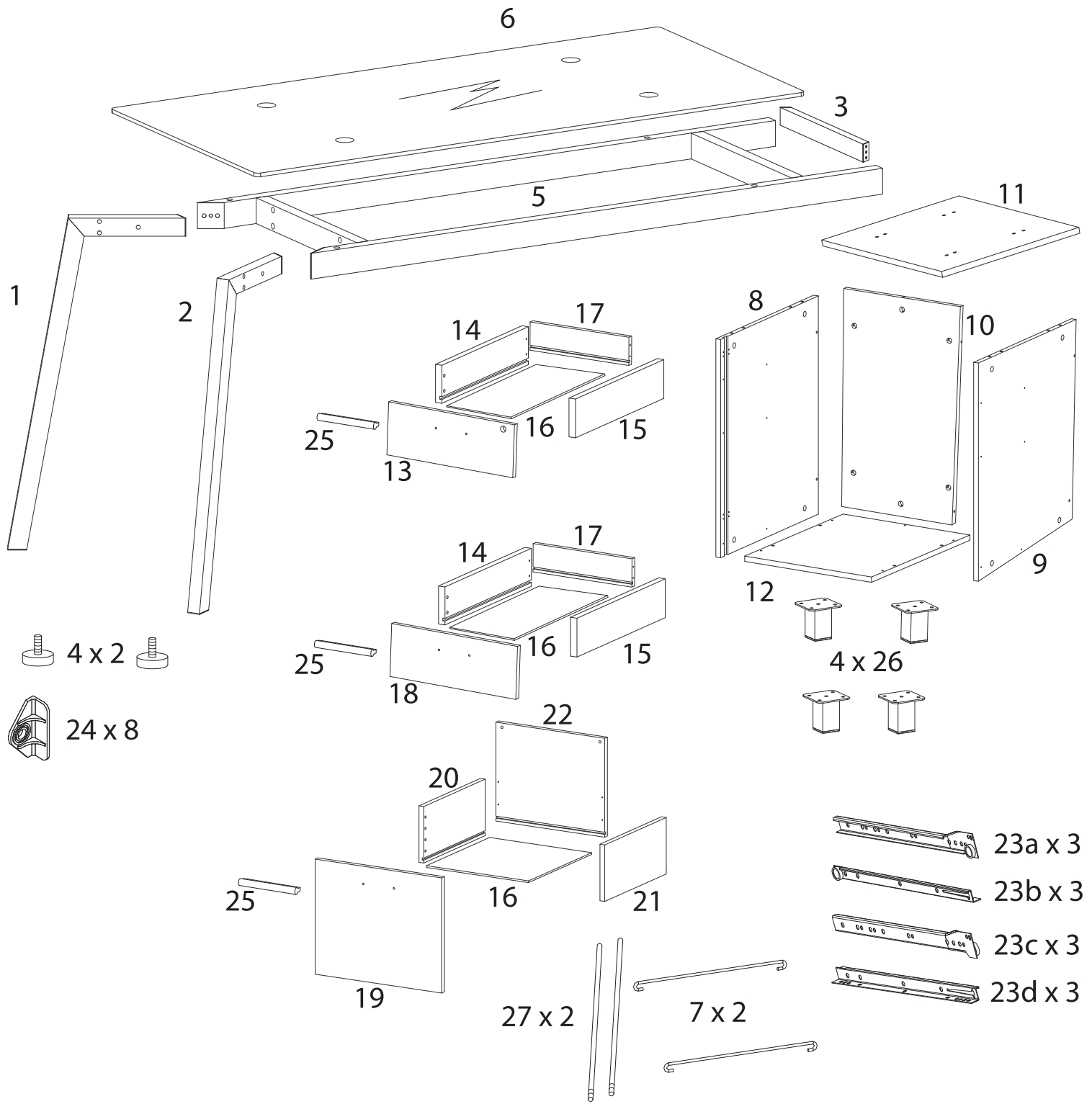
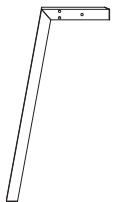

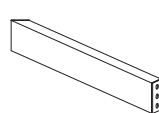
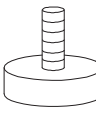
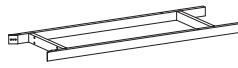
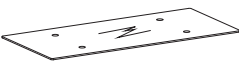




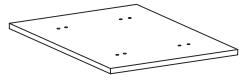
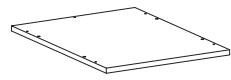
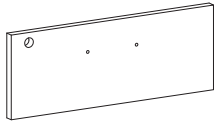
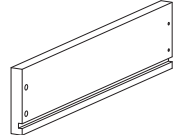
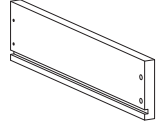
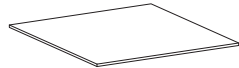
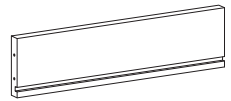
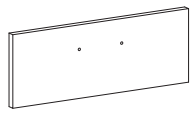
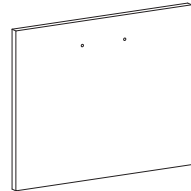
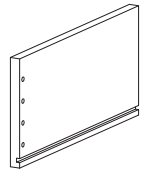
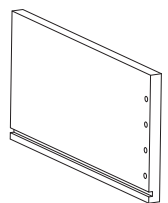
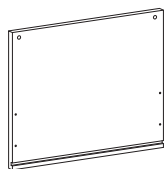
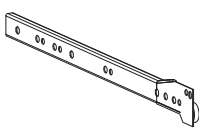
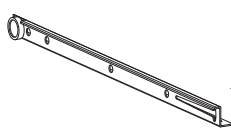
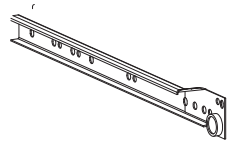
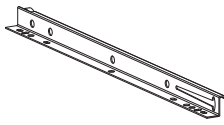
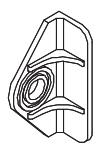

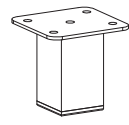
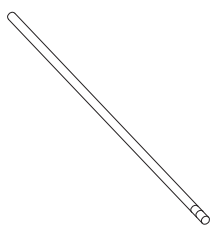
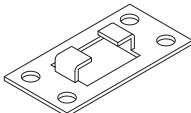
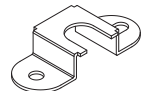
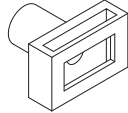
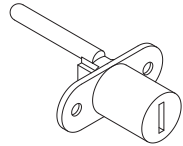
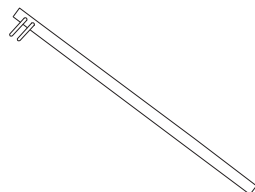
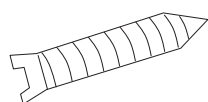



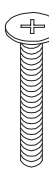
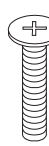
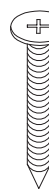
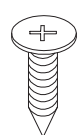
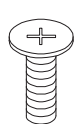
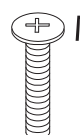
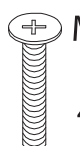
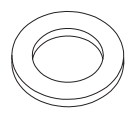

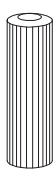




A rectangular box containing two circular icons. The left icon shows a screwdriver. The right icon shows a power drill with a diagonal line through it, indicating it should not be used. To the right of the box is a warning triangle with an exclamation mark.	A circular clock icon with tick marks around the perimeter and a vertical line for the hour hand.
30'	
A rectangular box containing two circular icons. The left icon shows a rectangular cushion on a textured mat. The right icon shows a sharp object (like a knife) with a diagonal line through it, indicating it should not be used. To the right of the box is a warning triangle with an exclamation mark.	An icon of two stylized human figures standing side-by-side.
2	

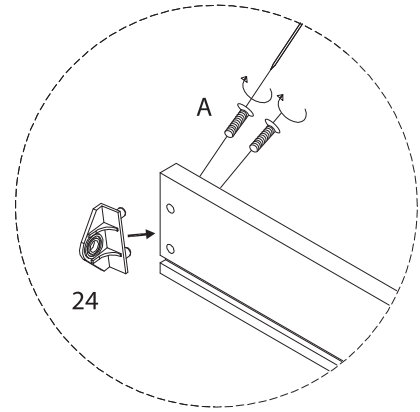
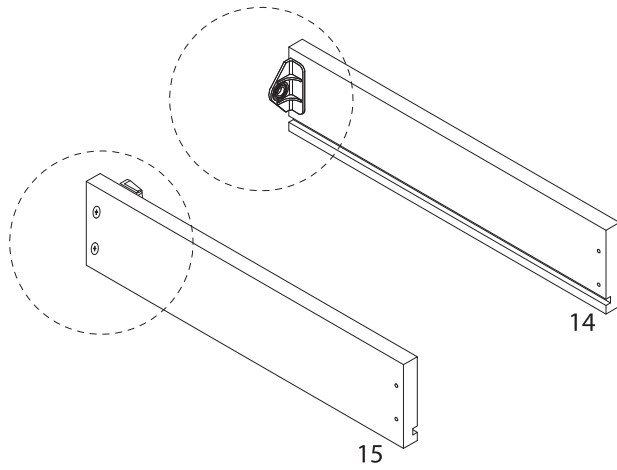
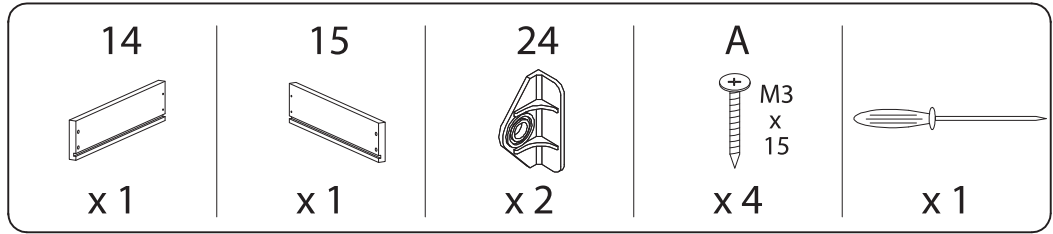


1  x 1	2  x 1	3  x 1	4  x 2	5  x 1
---	---	---	---	---

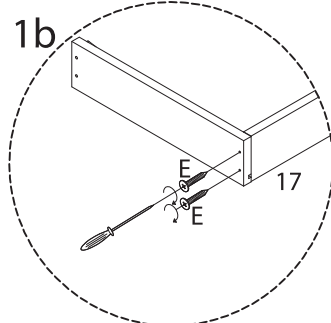
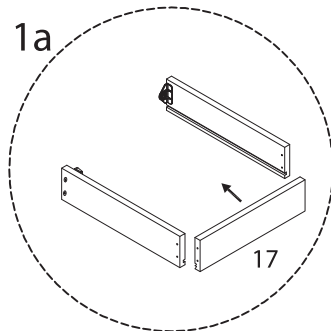
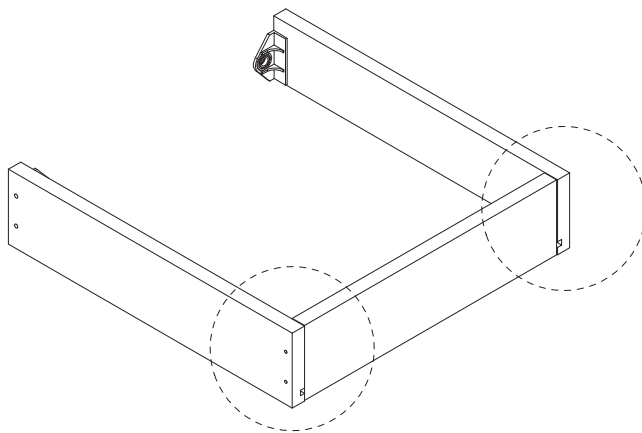
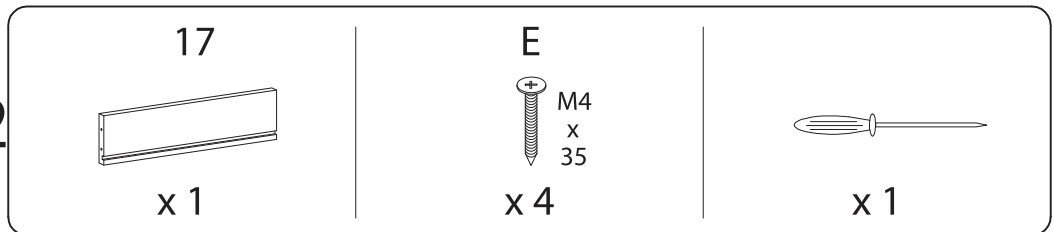
<p>6</p>  <p>x 1</p>	<p>7</p>  <p>x 2</p>	<p>8</p>  <p>x 1</p>	<p>9</p>  <p>x 1</p>	<p>10</p>  <p>x 1</p>
<p>11</p>  <p>x 1</p>	<p>12</p>  <p>x 1</p>	<p>13</p>  <p>x 1</p>	<p>14</p>  <p>x 2</p>	<p>15</p>  <p>x 2</p>
<p>16</p>  <p>x 3</p>	<p>17</p>  <p>x 2</p>	<p>18</p>  <p>x 1</p>	<p>19</p>  <p>x 1</p>	<p>20</p>  <p>x 1</p>
<p>21</p>  <p>x 1</p>	<p>22</p>  <p>x 1</p>	<p>23a</p>  <p>x 3</p>	<p>23b</p>  <p>x 3</p>	<p>23c</p>  <p>x 3</p>
<p>23d</p>  <p>x 3</p>	<p>24</p>  <p>x 8</p>	<p>25</p>  <p>x 3</p>	<p>26</p>  <p>x 4</p>	<p>27</p>  <p>x 2</p>

<p>28a</p>  <p>x 2</p>	<p>28b</p>  <p>x 3</p>	<p>28c</p>  <p>x 3</p>	<p>28d</p>  <p>x 1</p>	
<p>28e</p>  <p>x 1</p>	<p>28f</p>  <p>x 3</p>	<p>28g</p>  <p>x 1</p>	<p>A</p>  <p>M3 x 15</p> <p>x 56</p>	
<p>B</p>  <p>M6 x 40</p> <p>x 14</p>	<p>C</p>  <p>M6 x 60</p> <p>x 2</p>	<p>D</p>  <p>M6 x 40</p> <p>x 6</p>	<p>E</p>  <p>M4 x 35</p> <p>x 12</p>	
<p>F</p>  <p>M4 x 14</p> <p>x 16</p>	<p>G</p>  <p>M6 x 15</p> <p>x 8</p>	<p>H</p>  <p>M6 x 30</p> <p>x 8</p>	<p>I</p>  <p>M6 x 45</p> <p>x 2</p>	
<p>J</p>  <p>x 6</p>	<p>K</p>  <p>M4 x 20</p> <p>x 6</p>	<p>L</p>  <p>x 8</p>	<p>M</p>  <p>x 14</p>	 <p>x 1</p>

1x2

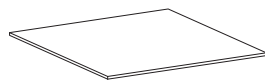


2x2

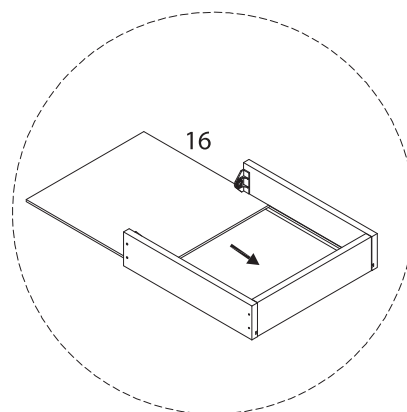
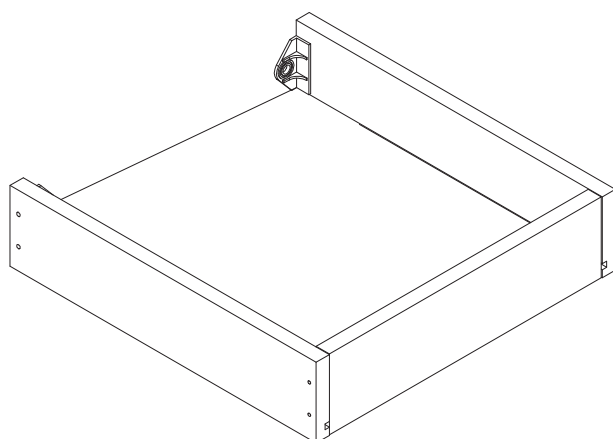


3x2

16

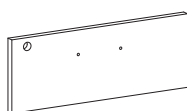


x 1



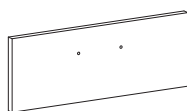
4

13



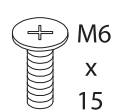
x 1

18



x 1

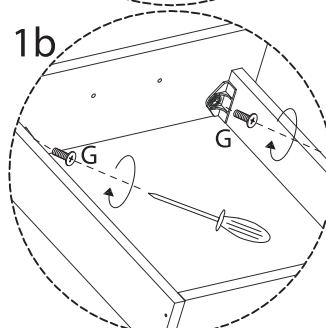
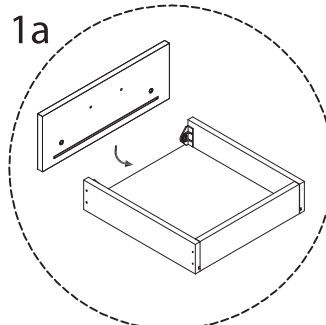
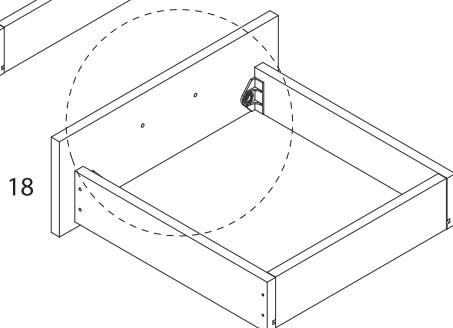
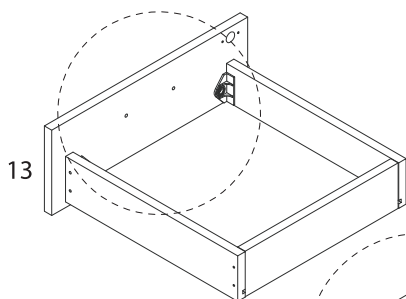
G



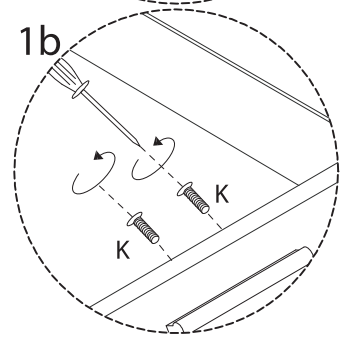
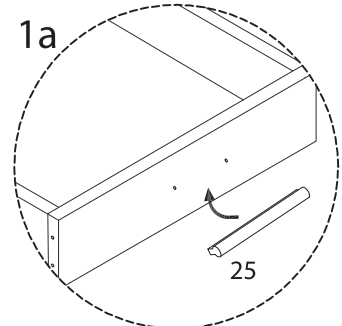
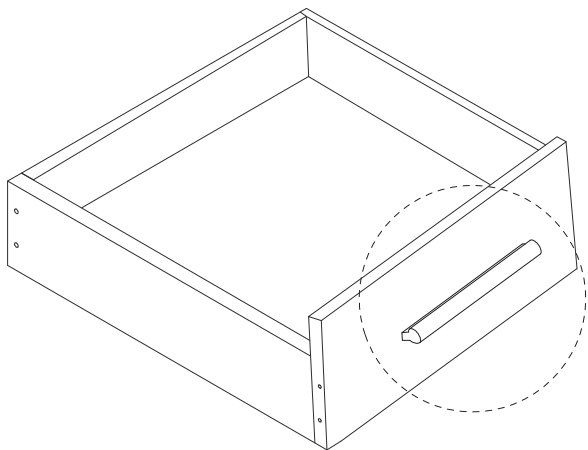
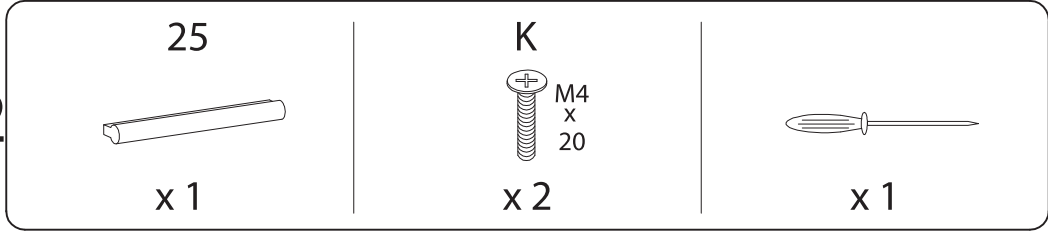
x 4



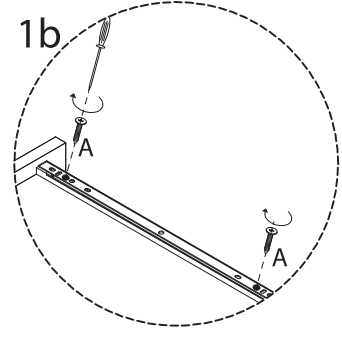
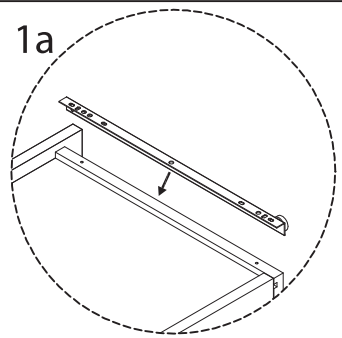
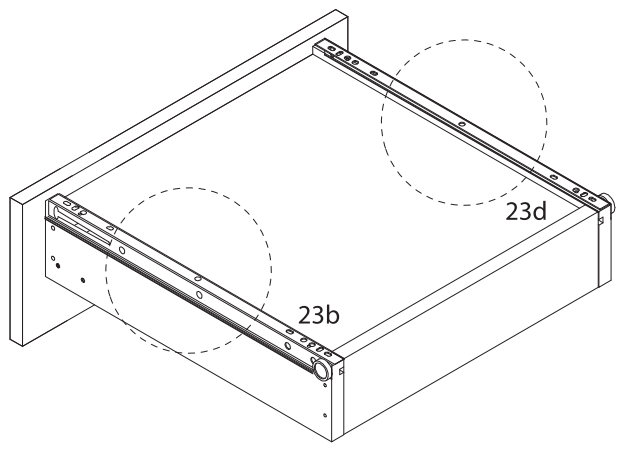
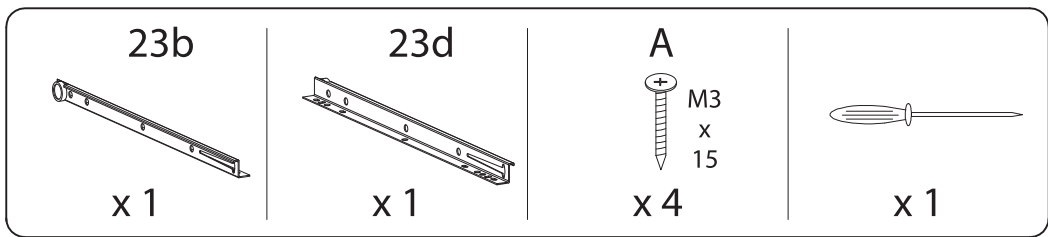
x 1



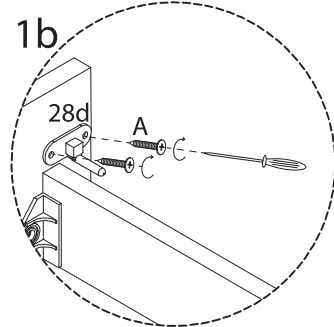
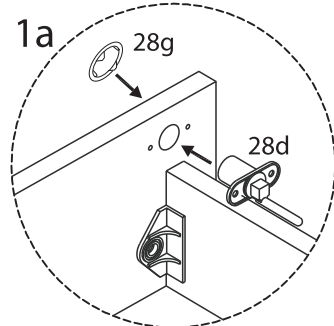
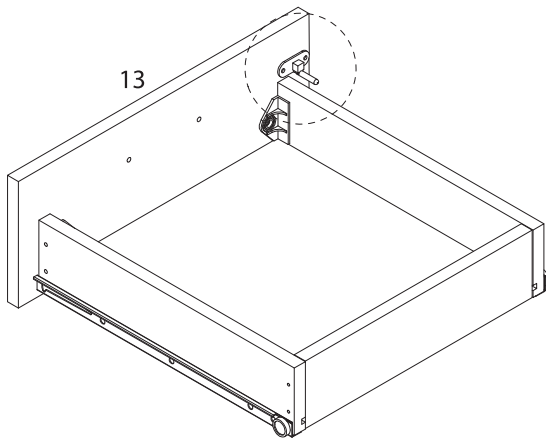
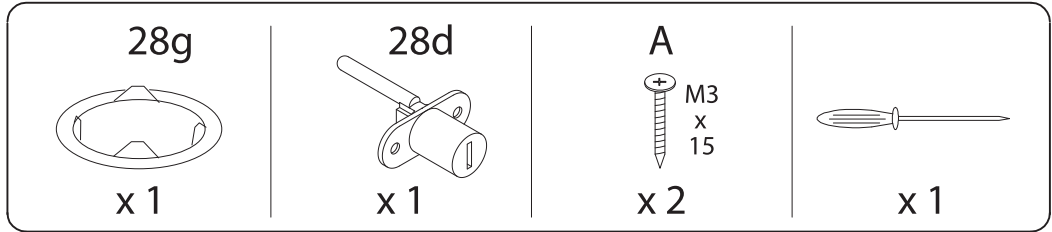
5x2



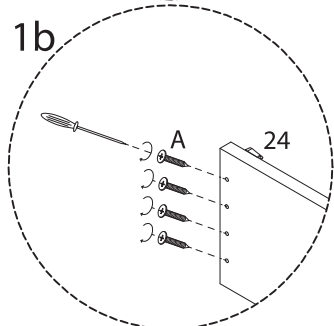
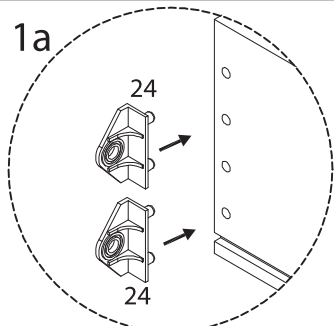
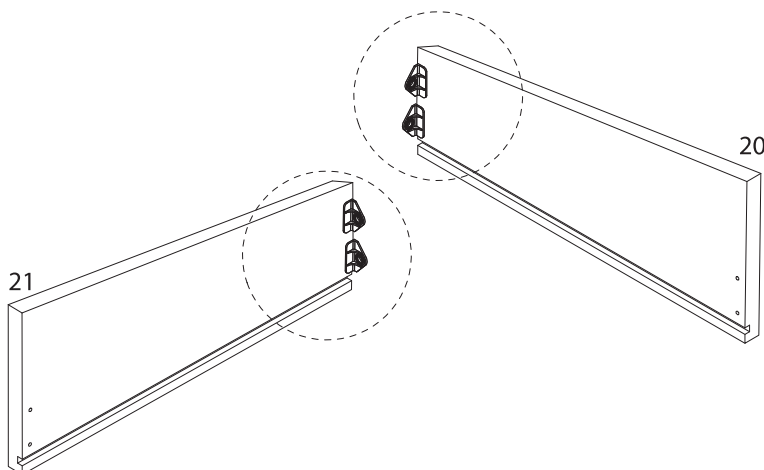
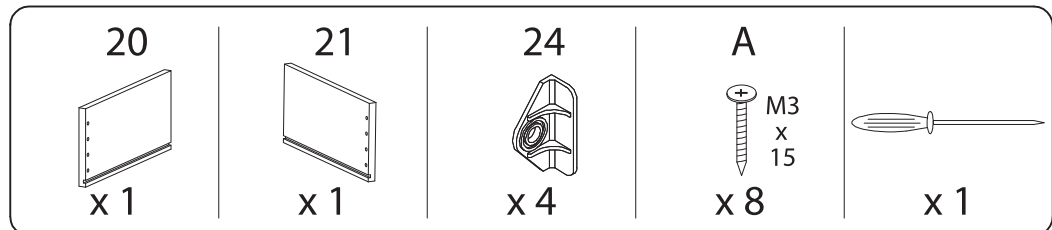
6x2



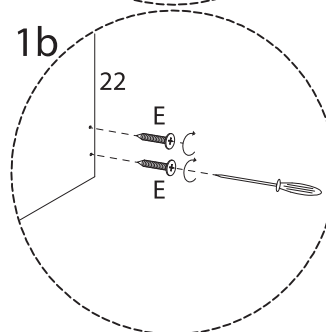
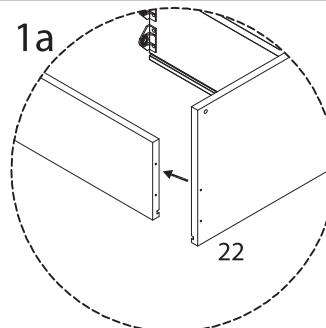
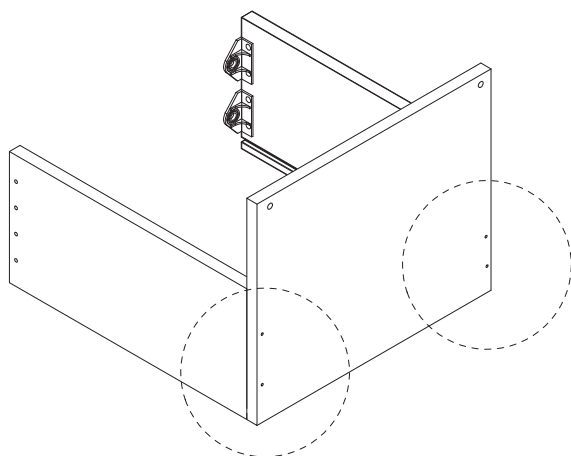
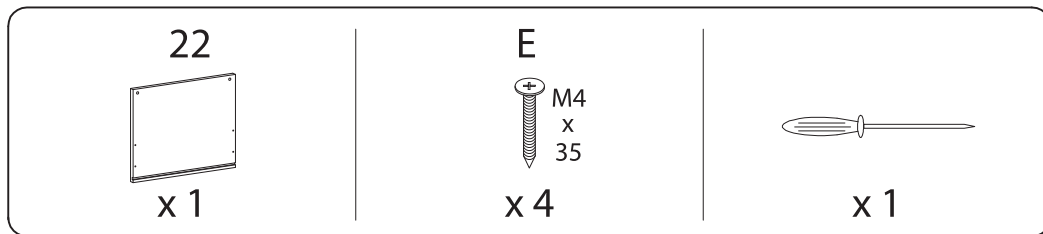
7



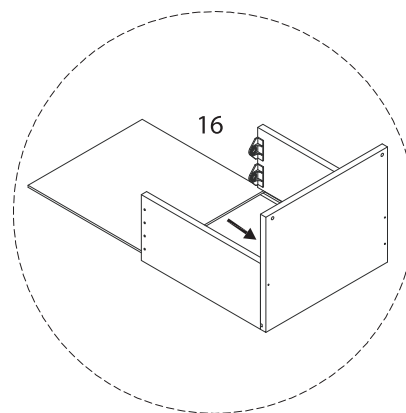
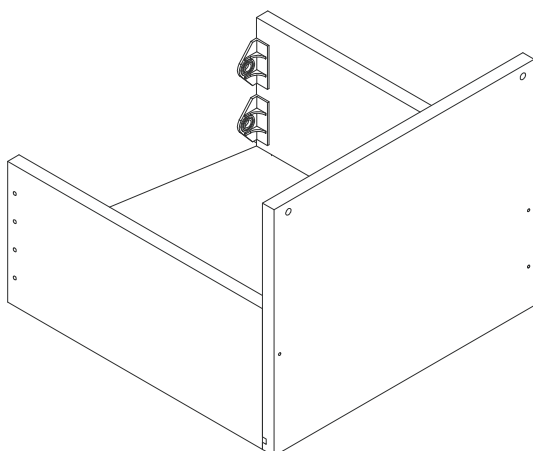
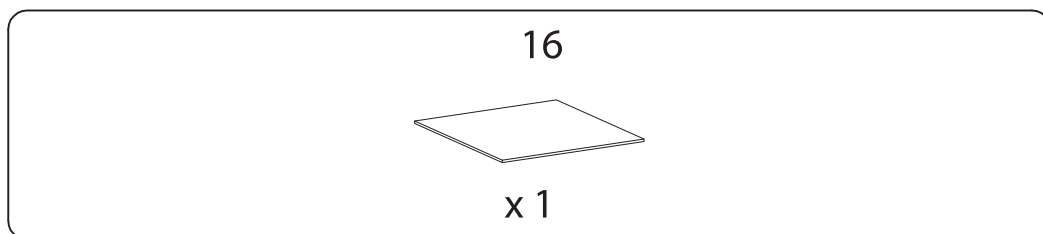
8



9

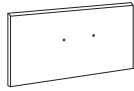


10



11

19



x 1

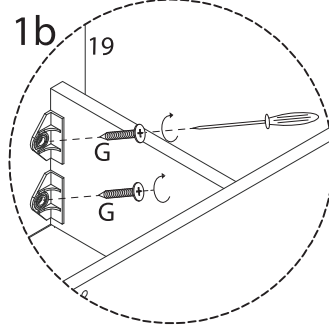
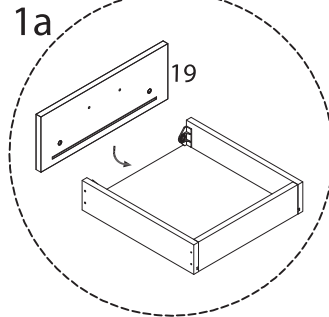
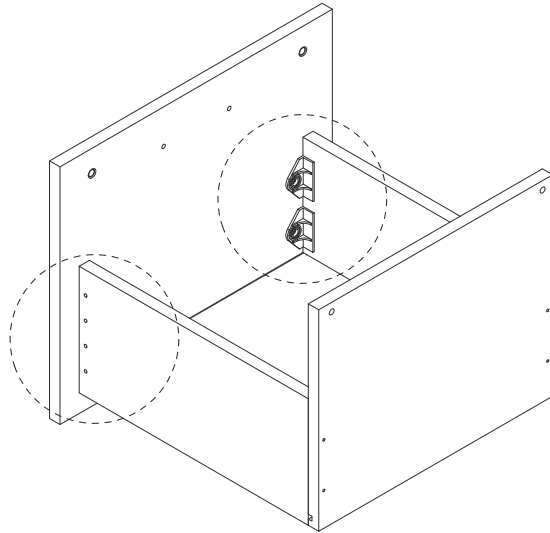
G



x 4



x 1



12

25



x 1

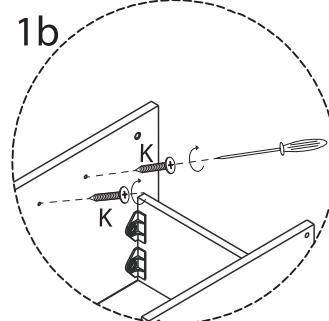
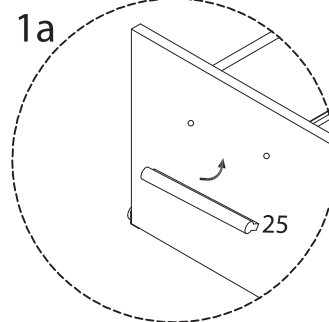
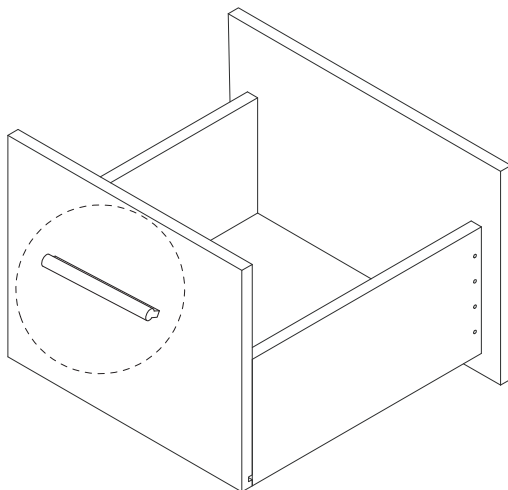
K



x 2



x 1



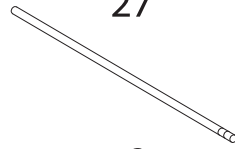
13

7

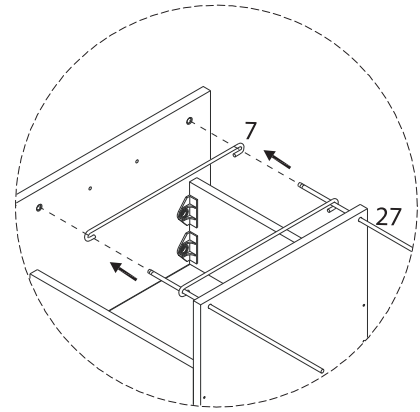
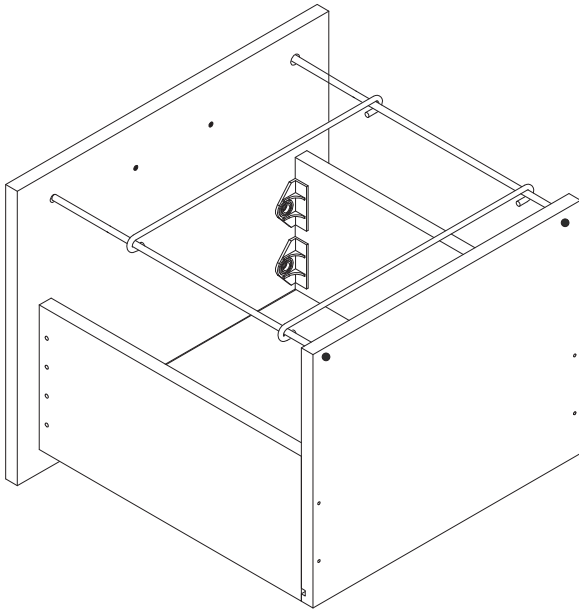


x 2

27

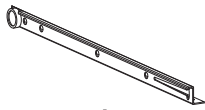


x 2



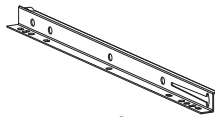
14

23b



x 1

23d

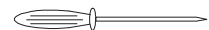


x 1

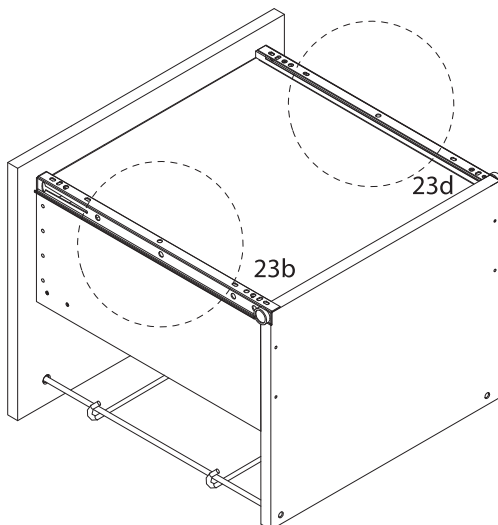
A



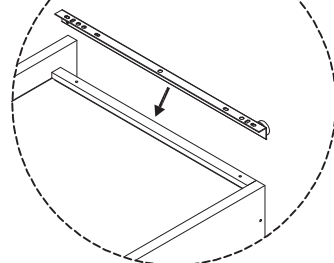
x 4



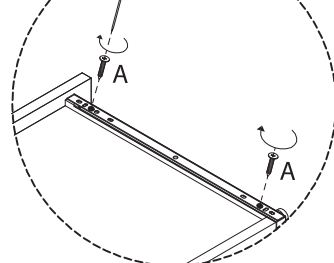
x 1



1a

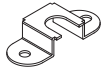


1b



15

28b



x 3

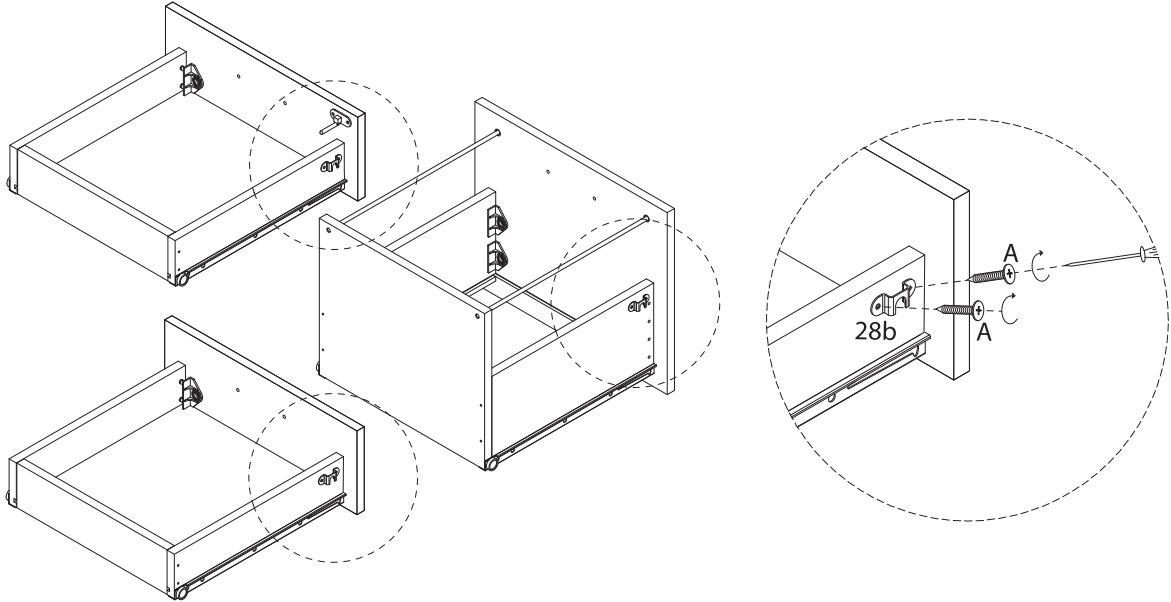
A



x 6

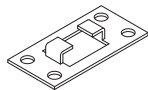


x 1



16

28a



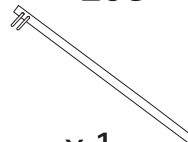
x 2

28c



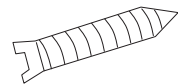
x 3

28e

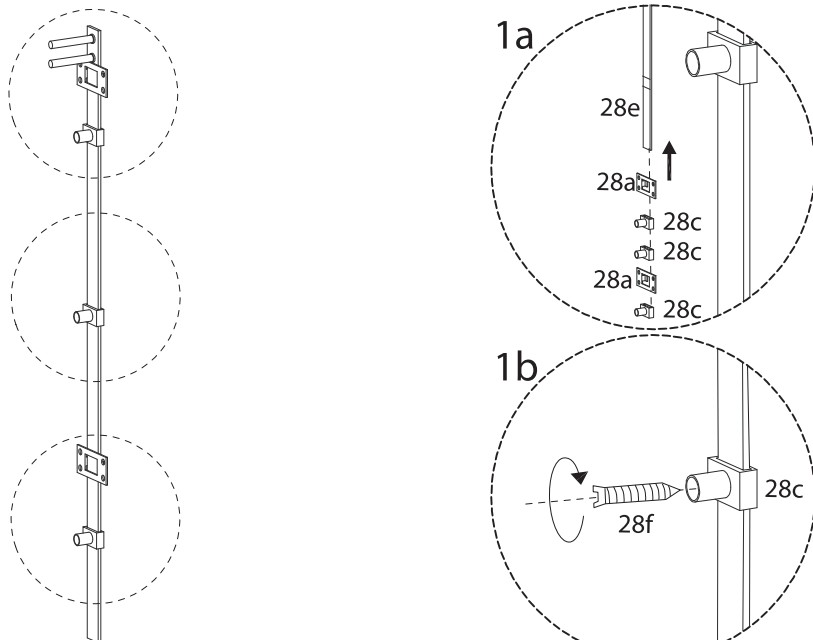


x 1

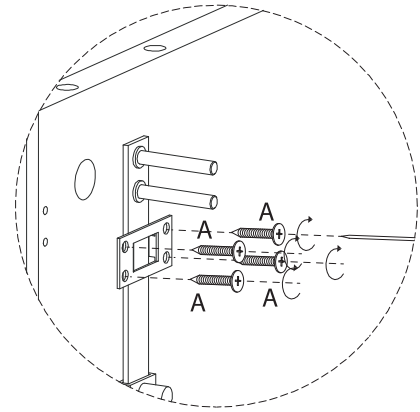
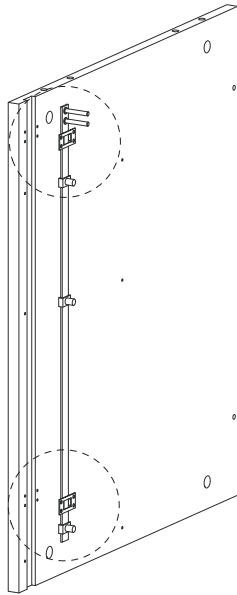
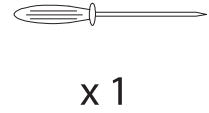
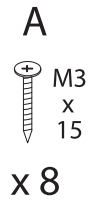
28f



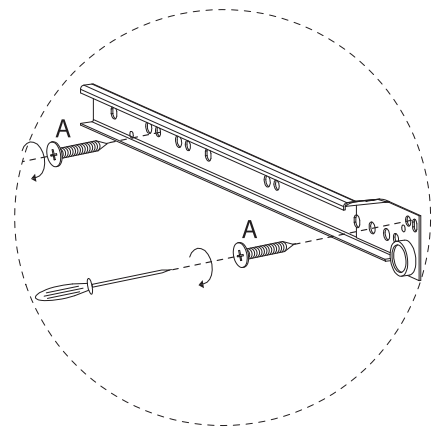
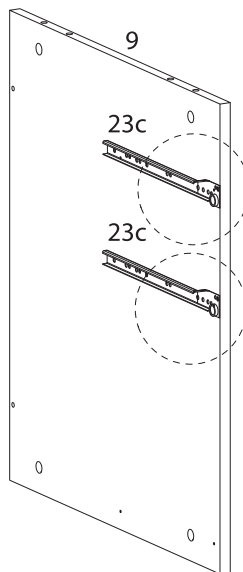
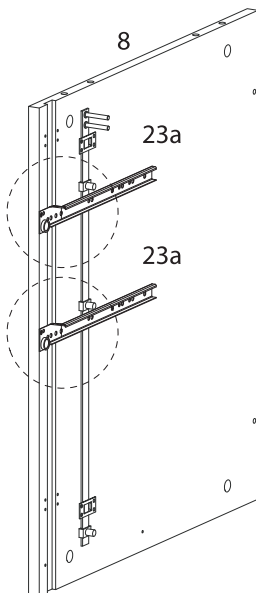
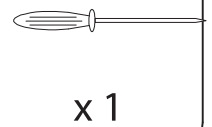
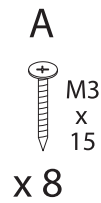
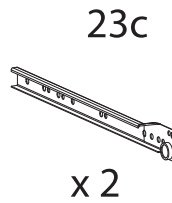
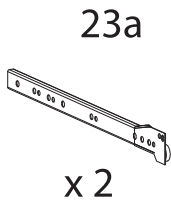
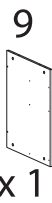
x 3



17



18

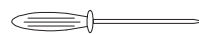


19

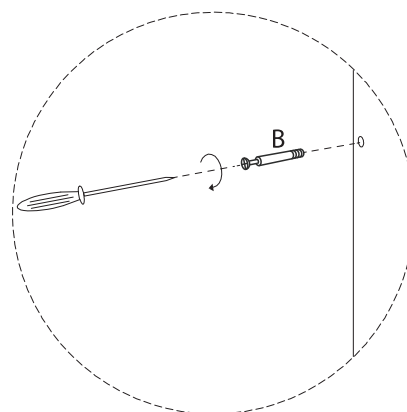
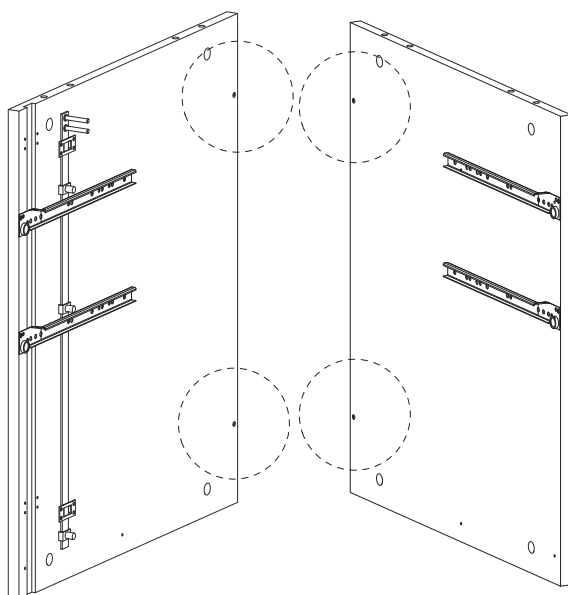
B

M6
x
40

x 4

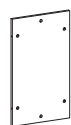


x 1



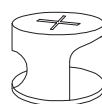
20

10



x 1

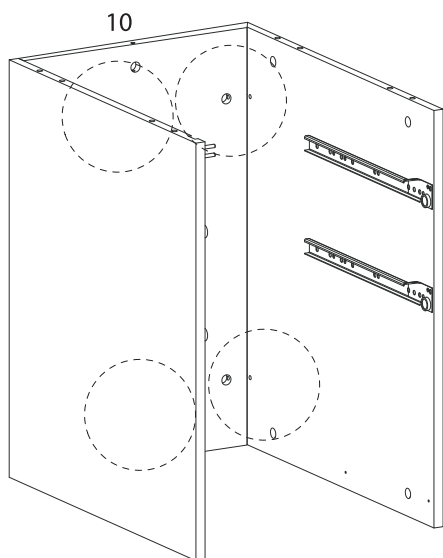
M



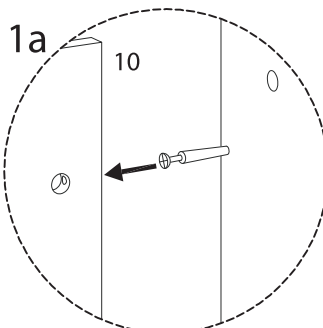
x 4



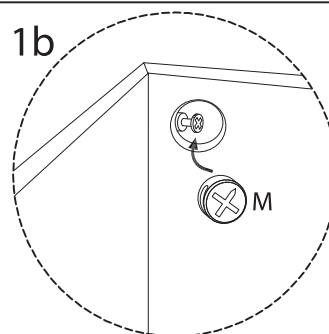
x 1



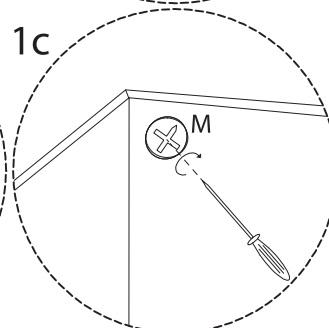
1a



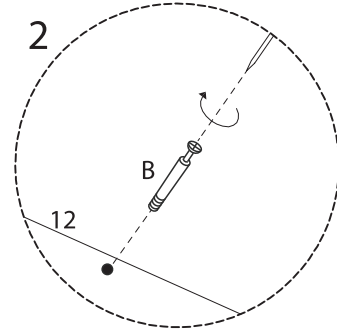
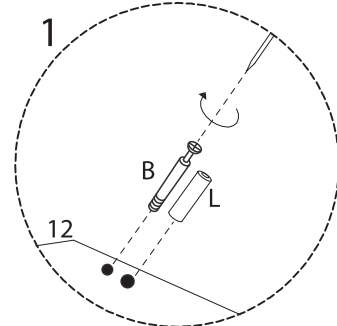
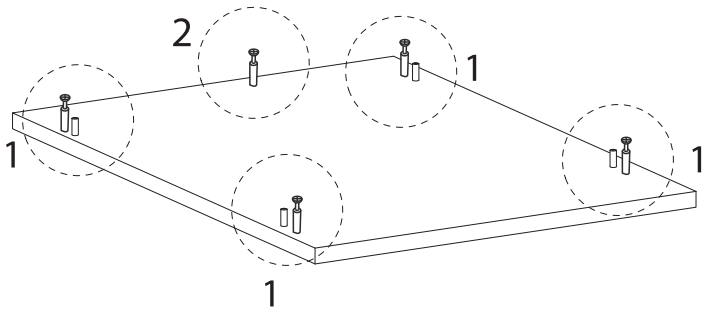
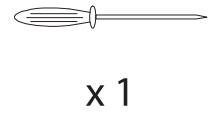
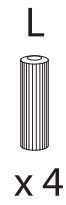
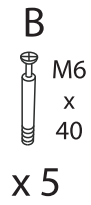
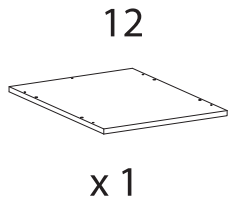
1b



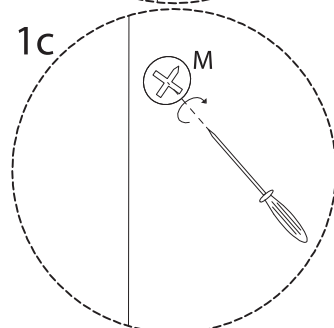
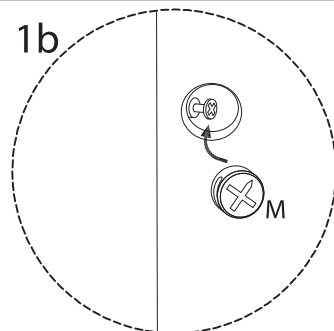
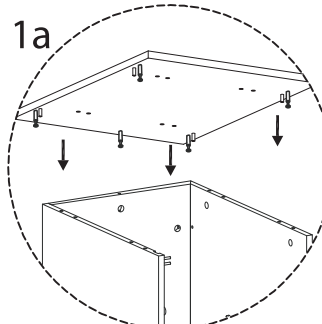
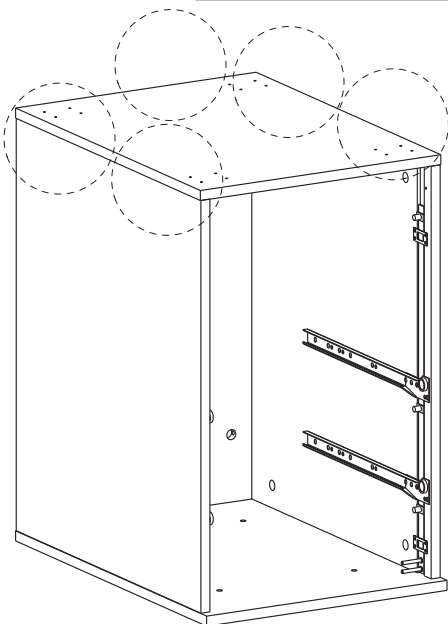
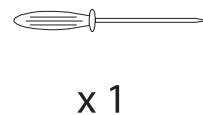
1c



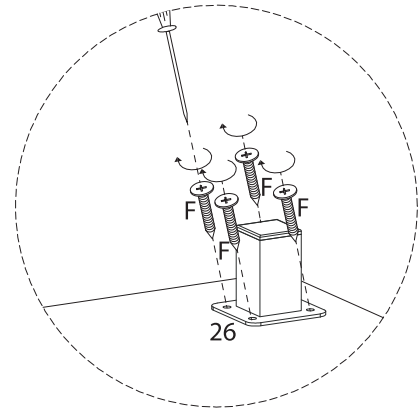
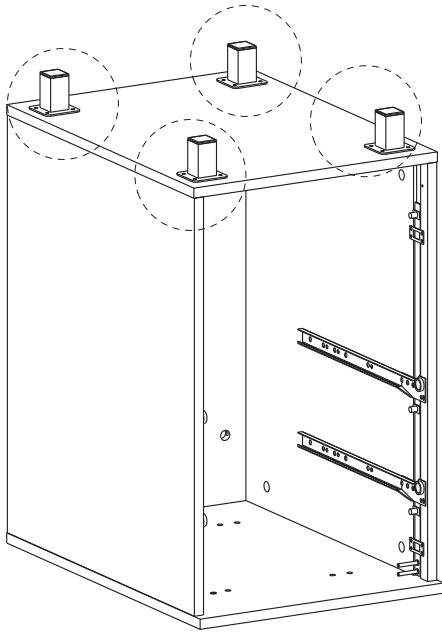
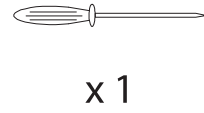
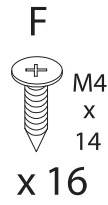
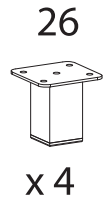
23



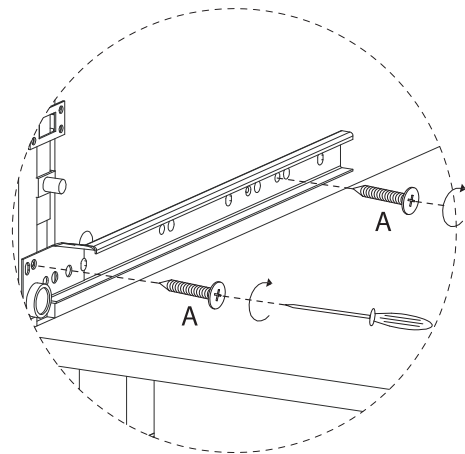
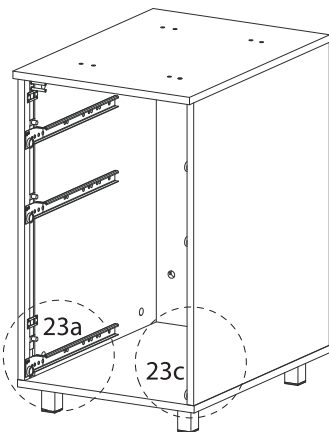
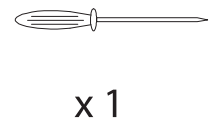
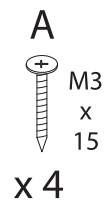
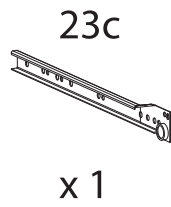
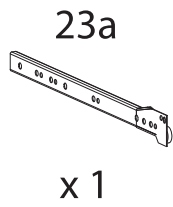
24



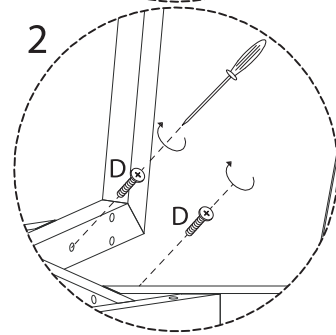
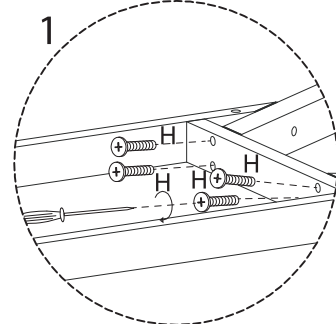
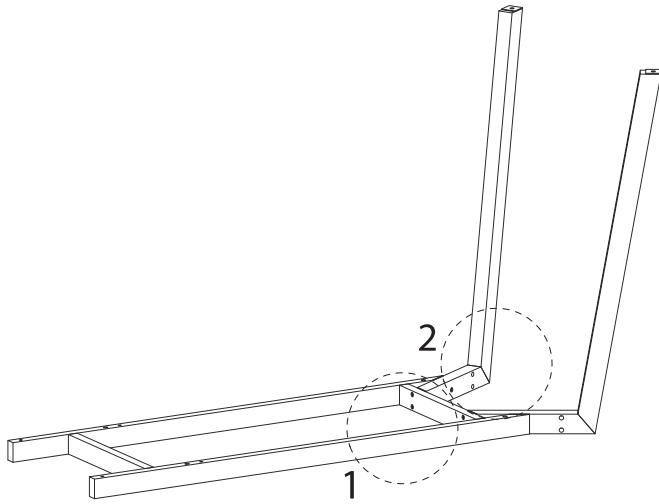
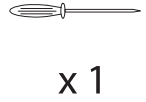
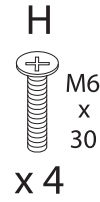
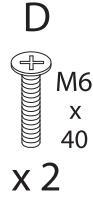
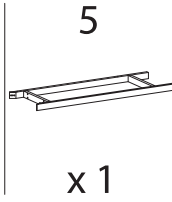
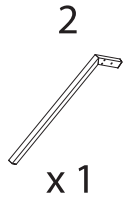
25



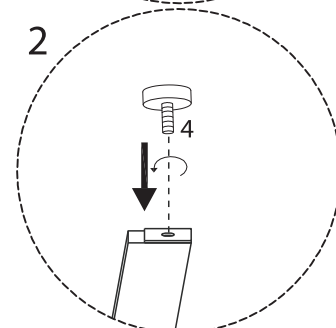
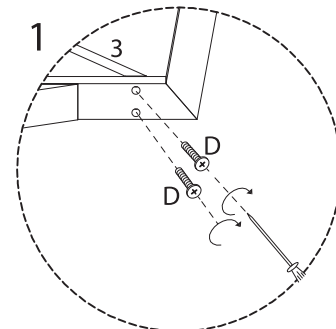
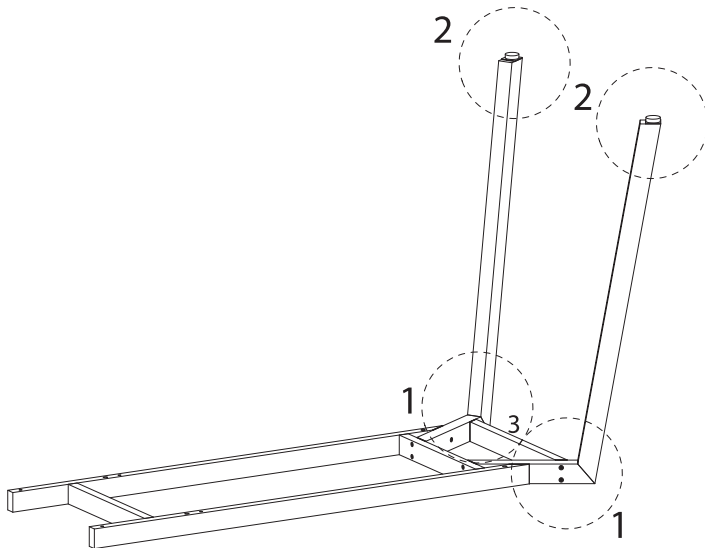
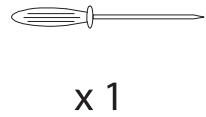
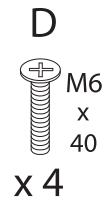
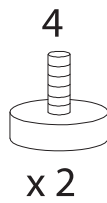
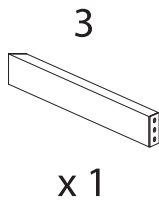
26



27

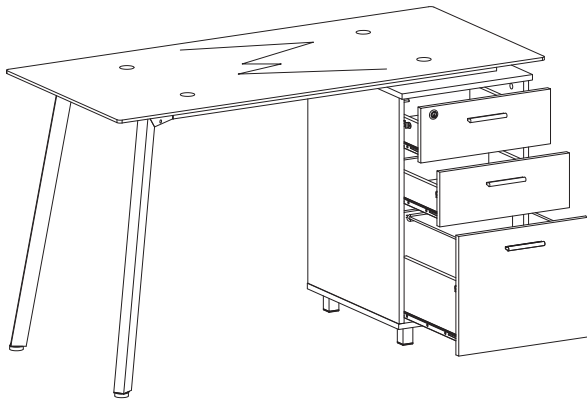


28

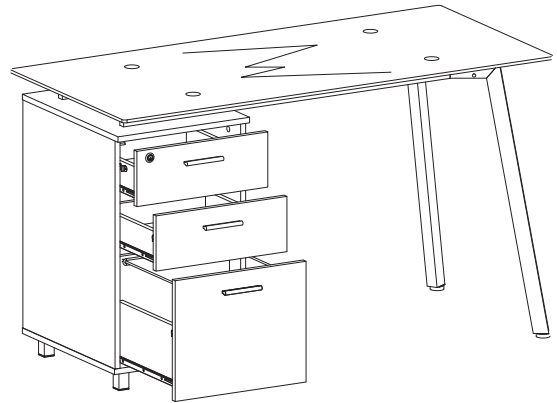


!

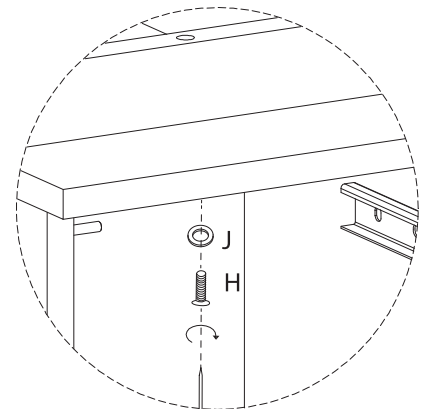
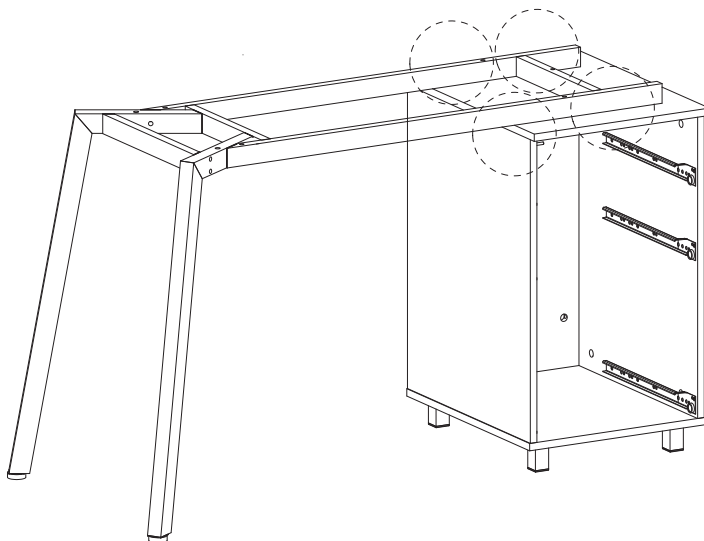
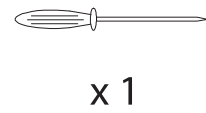
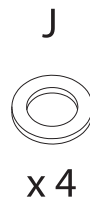
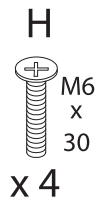
A



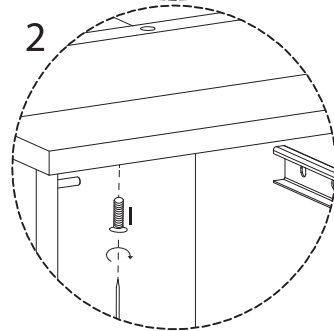
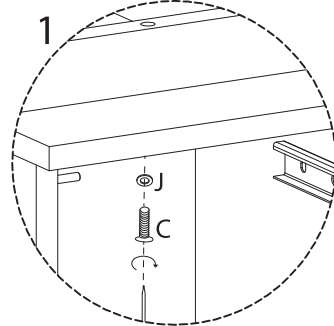
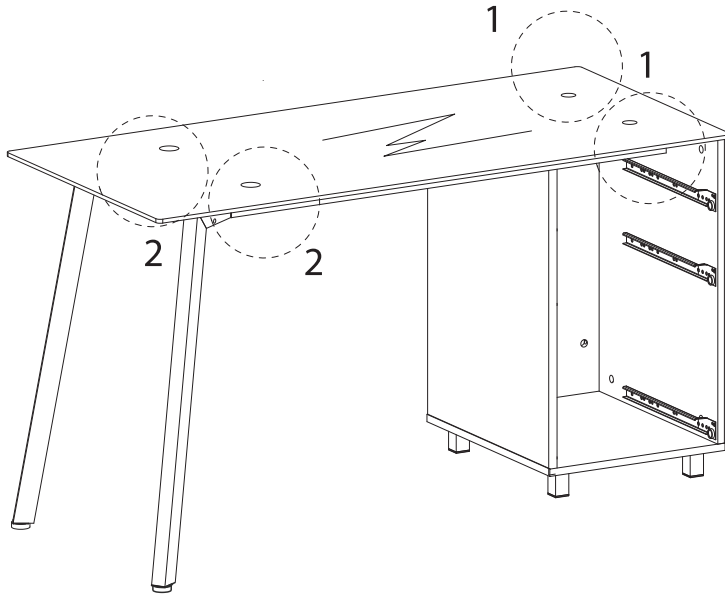
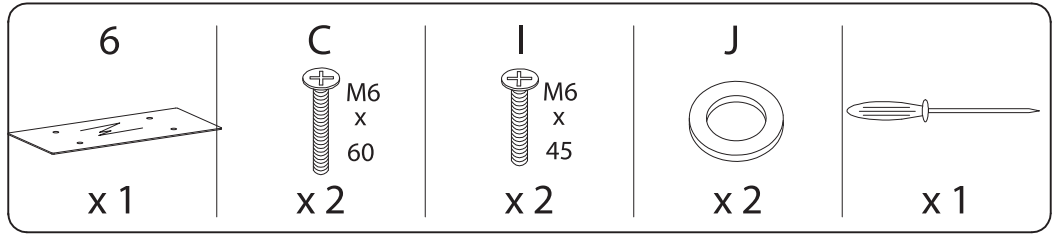
B



29



30



31

