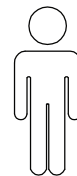
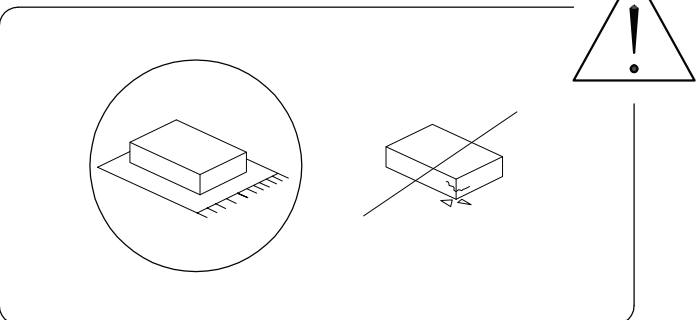
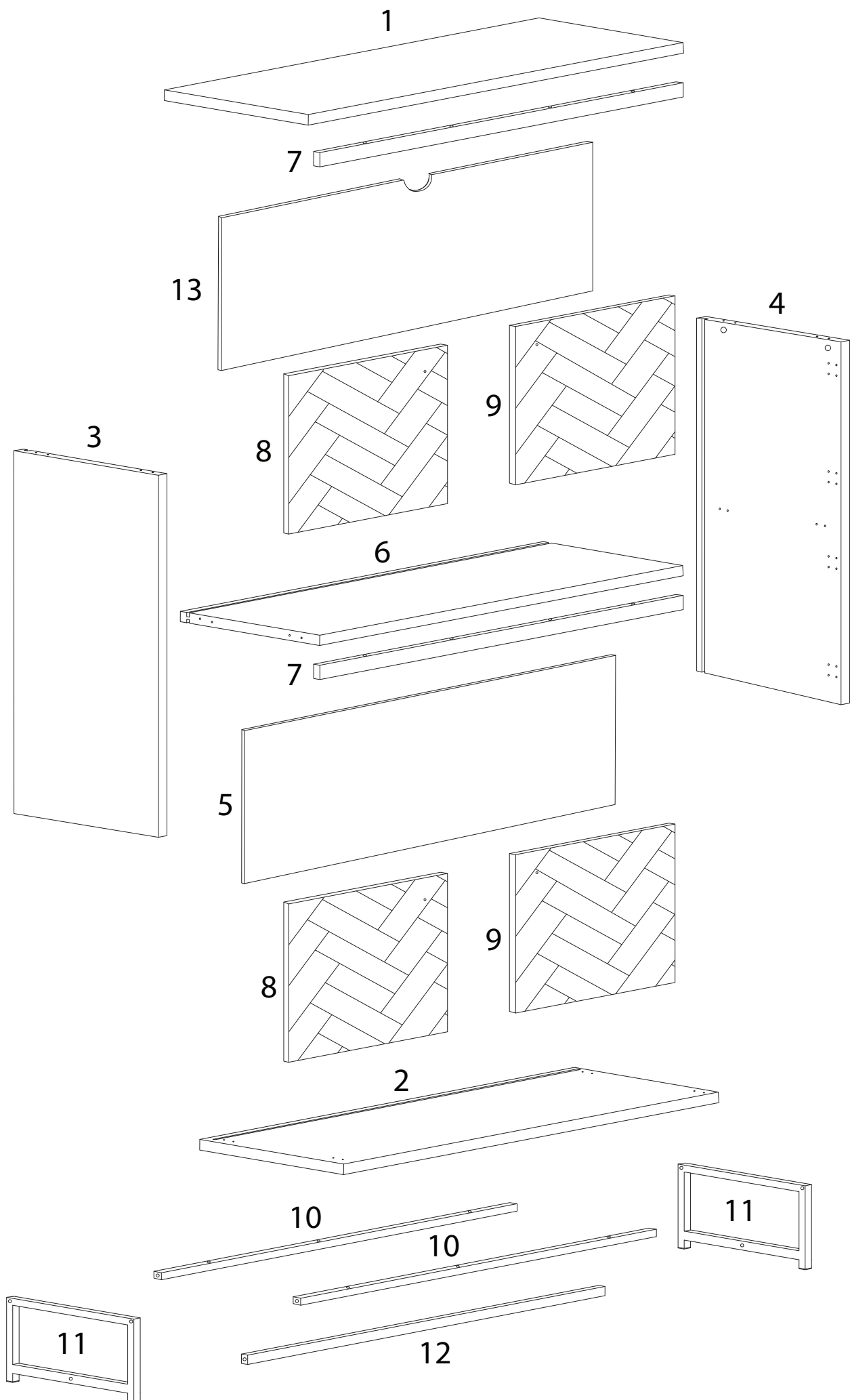


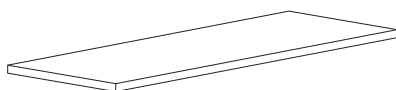
70'



2



1



x 1

2



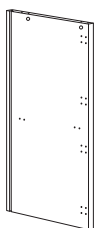
x 1

3



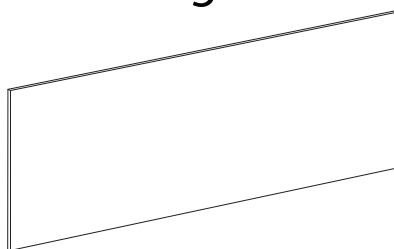
x 1

4



x 1

5



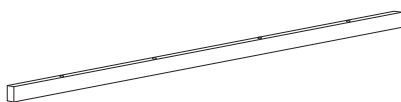
x 1

6



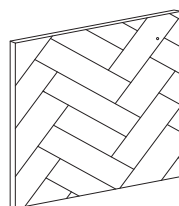
x 1

7



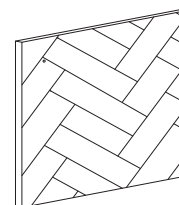
x 2

8



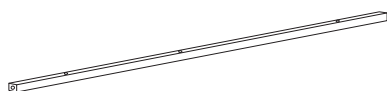
x 2

9



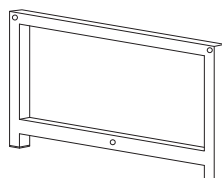
x 2

10



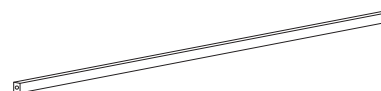
x 2

11



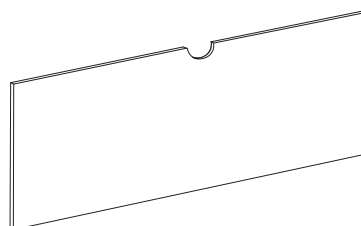
x 2

12



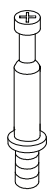
x 1

13



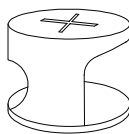
x 1

A



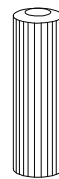
x 8

B



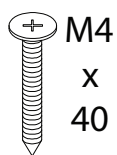
x 8

C



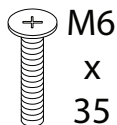
x 12

D



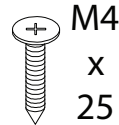
x 12

I



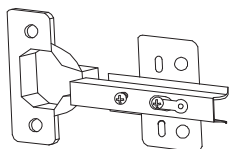
x 6

J



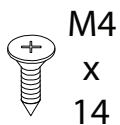
x 6

K



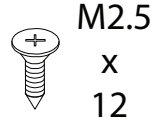
x 8

L



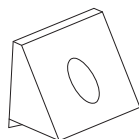
x 48

N



x 10

O



x 10

P1



x 4

P2



x 4

P3



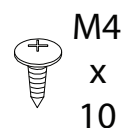
x 4

W



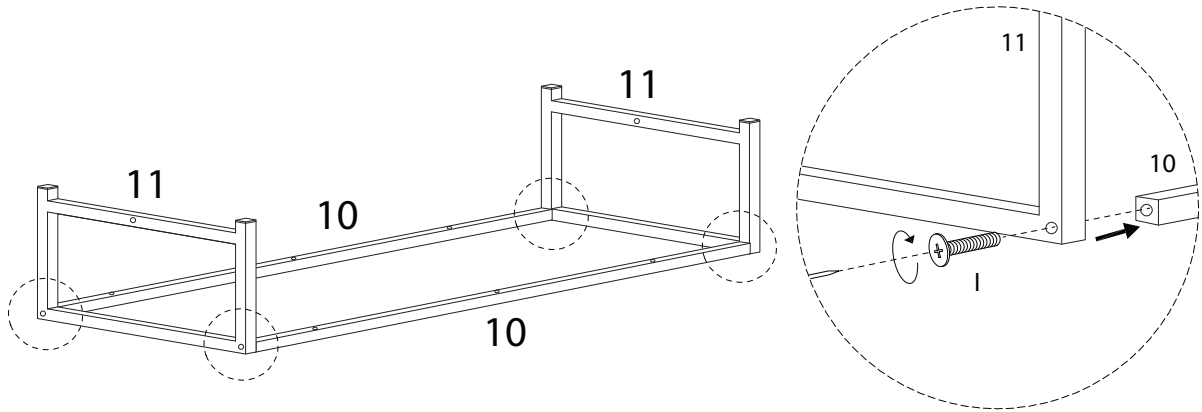
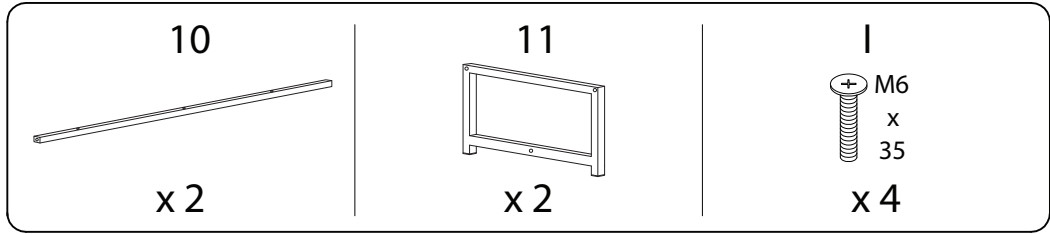
x 1

Y

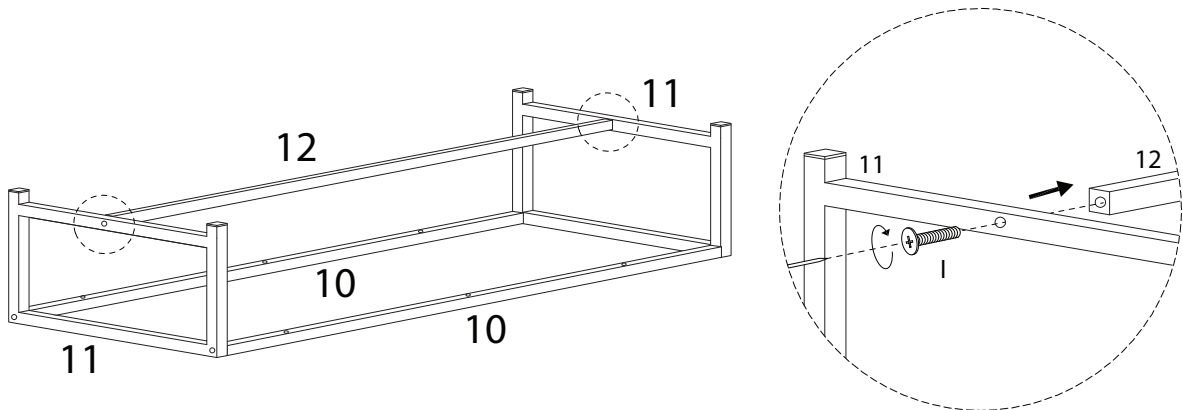
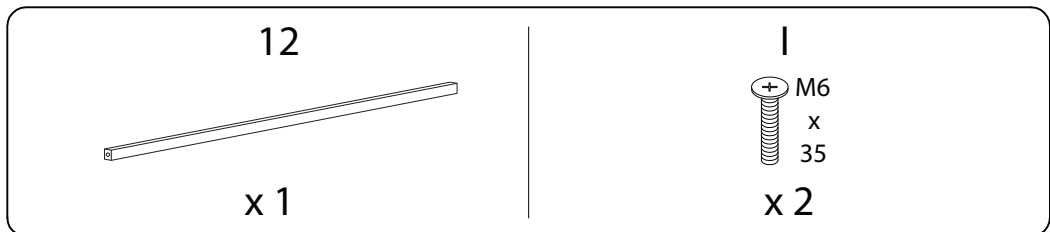


x 1

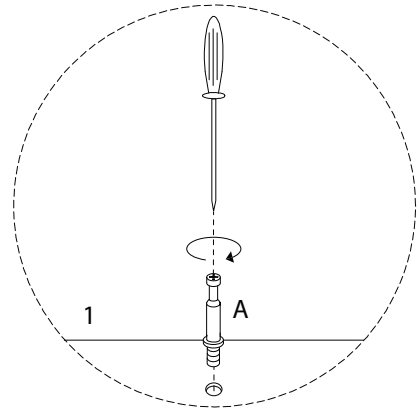
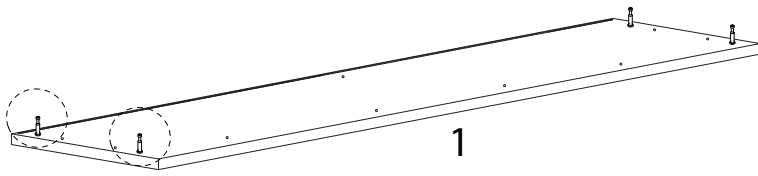
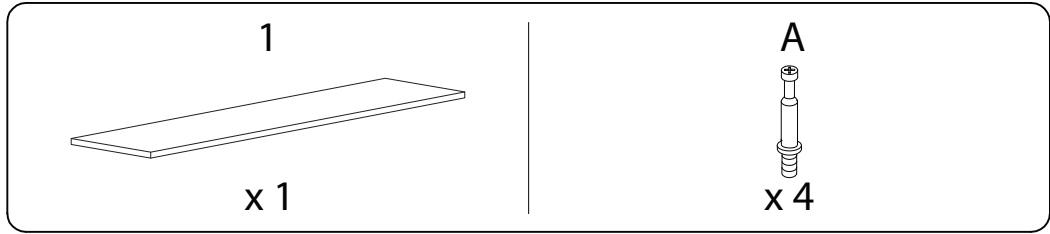
1



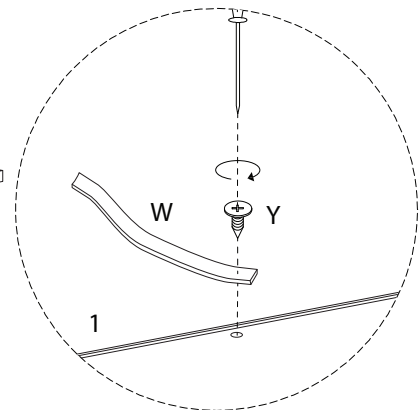
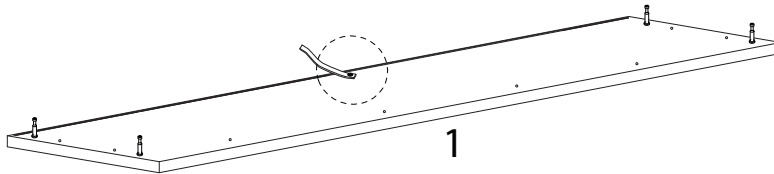
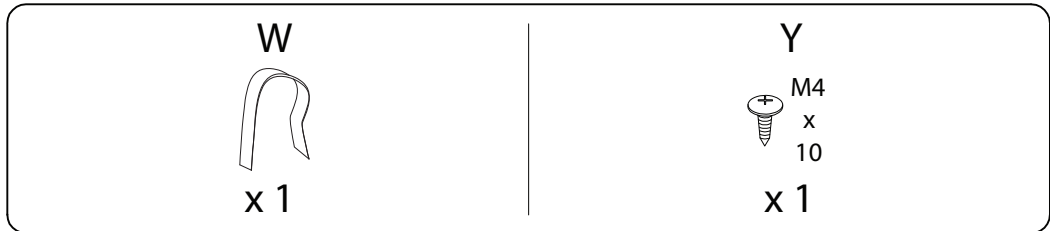
2



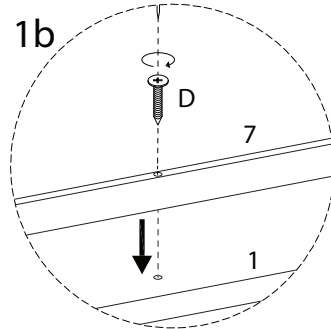
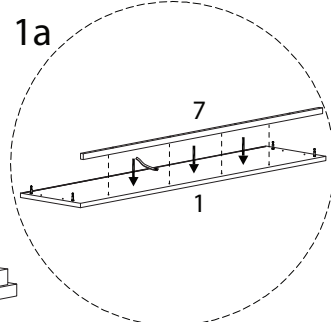
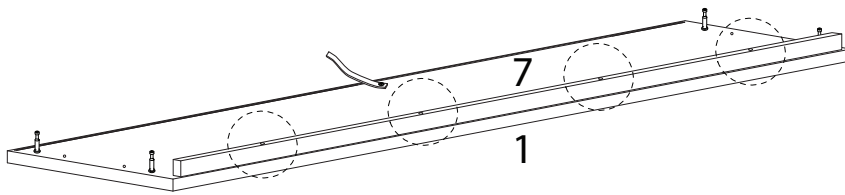
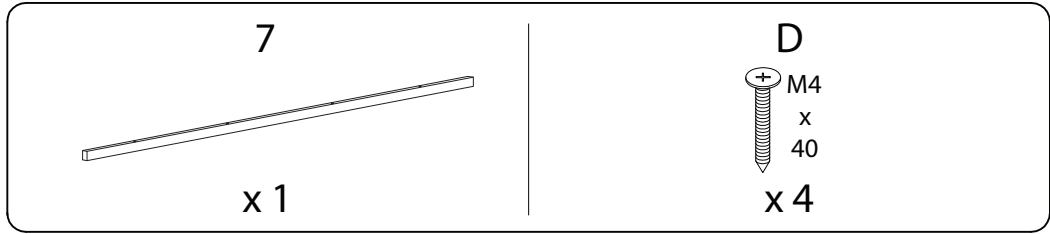
3



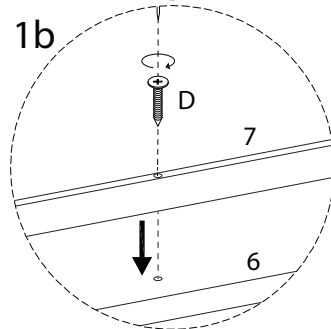
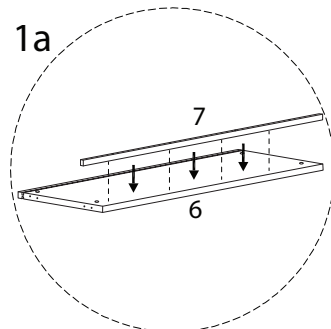
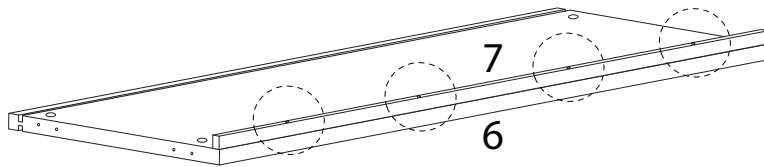
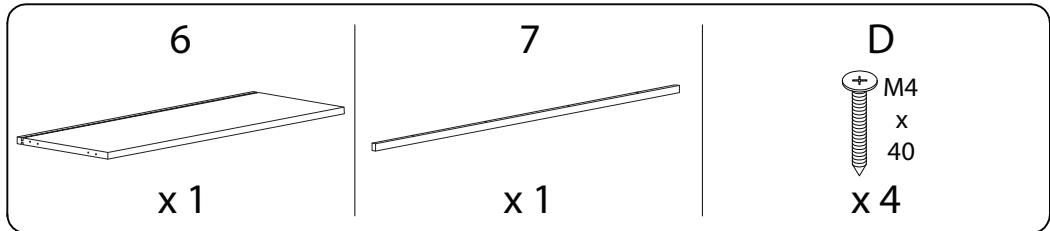
4



5



6

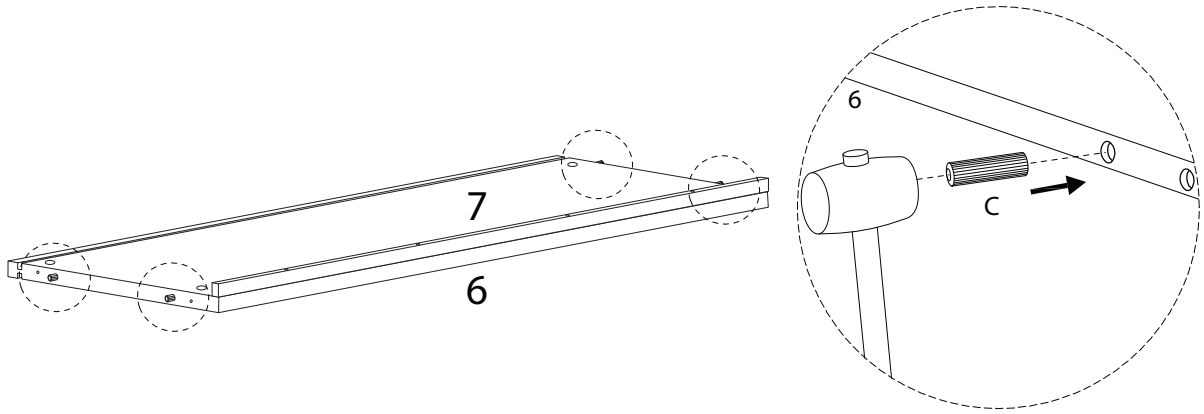


7

C



x 4



8

3



x 1

4

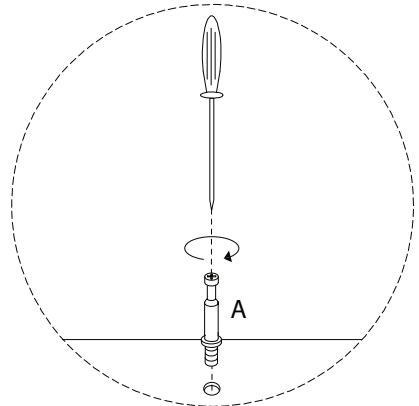
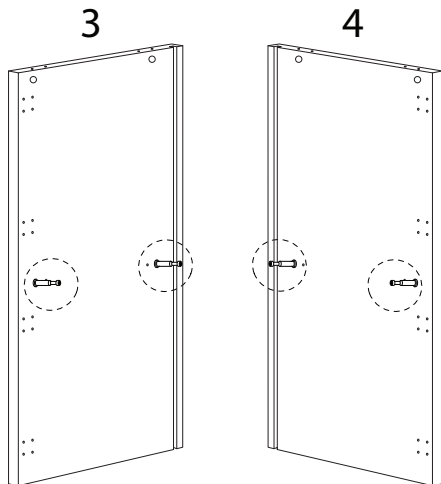


x 1

A

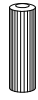


x 4

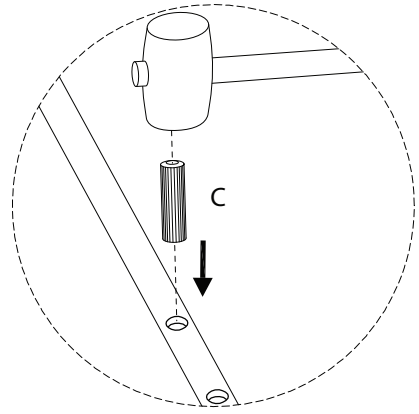
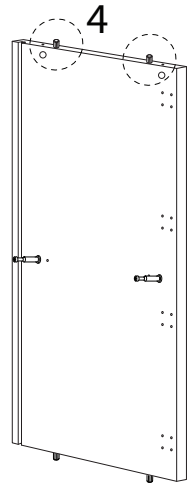
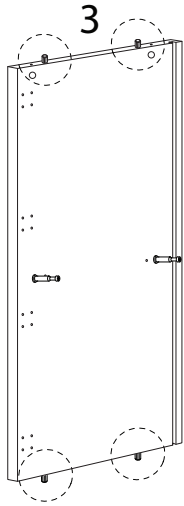


9

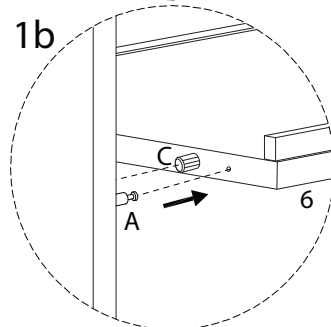
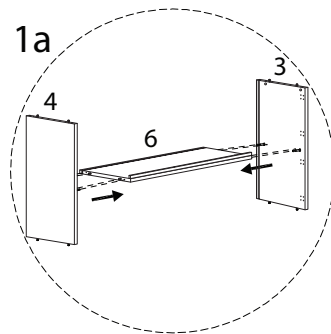
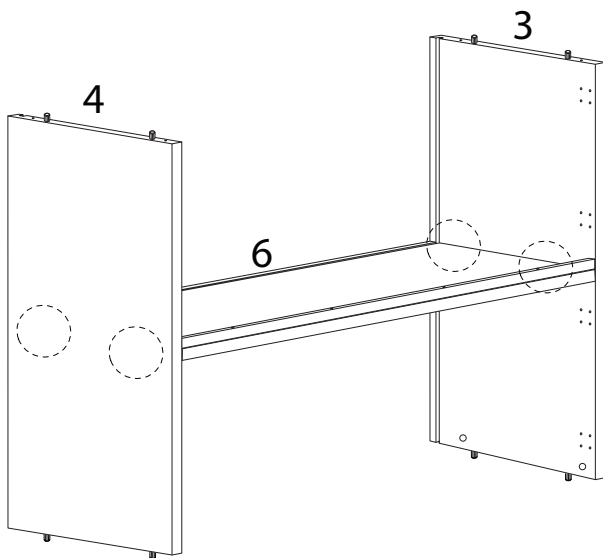
C



x 8



10

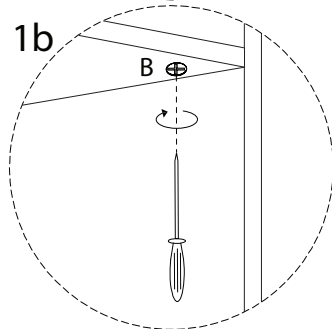
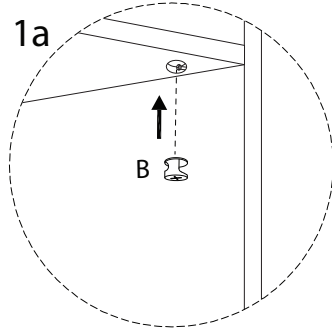
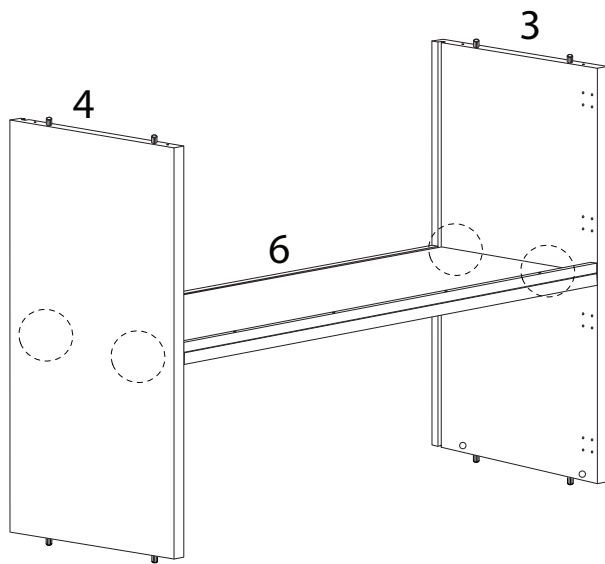


11

B

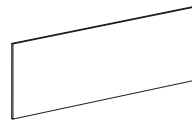


x 4

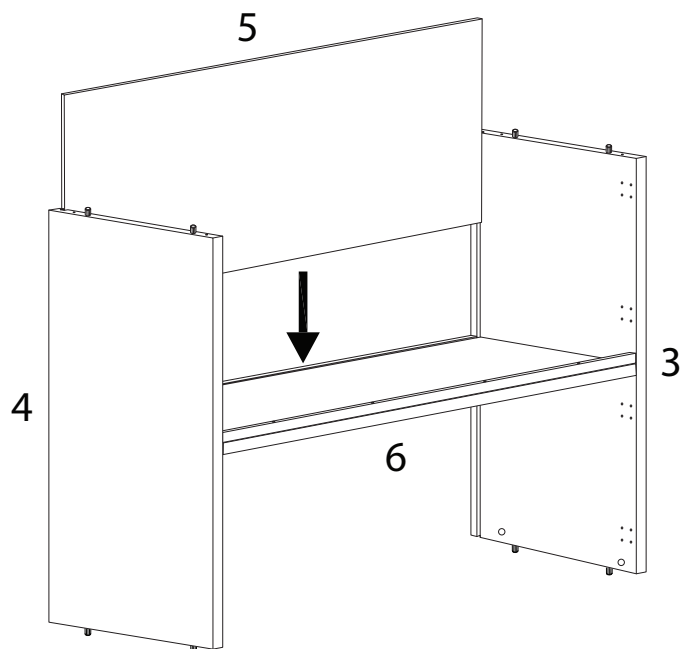


12

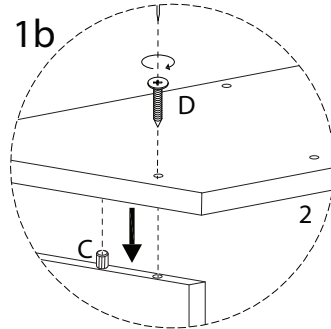
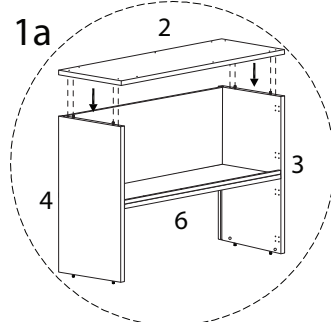
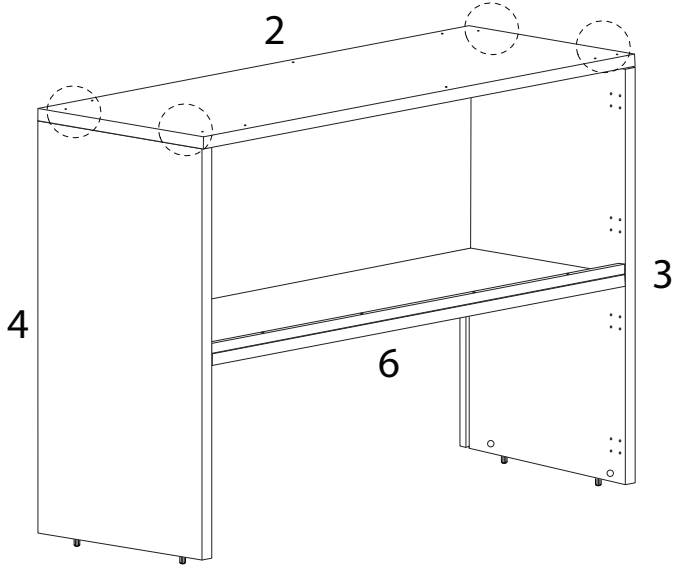
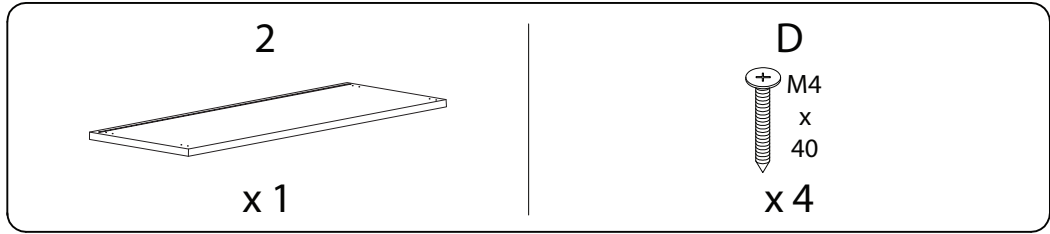
5



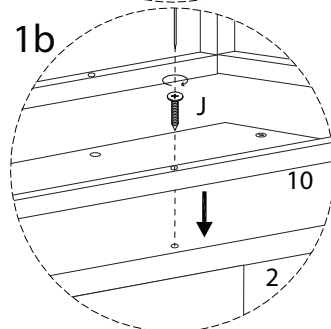
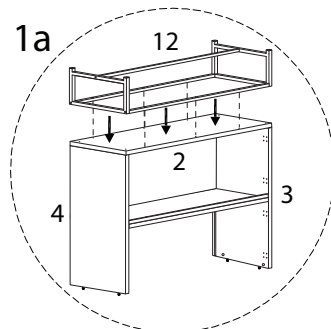
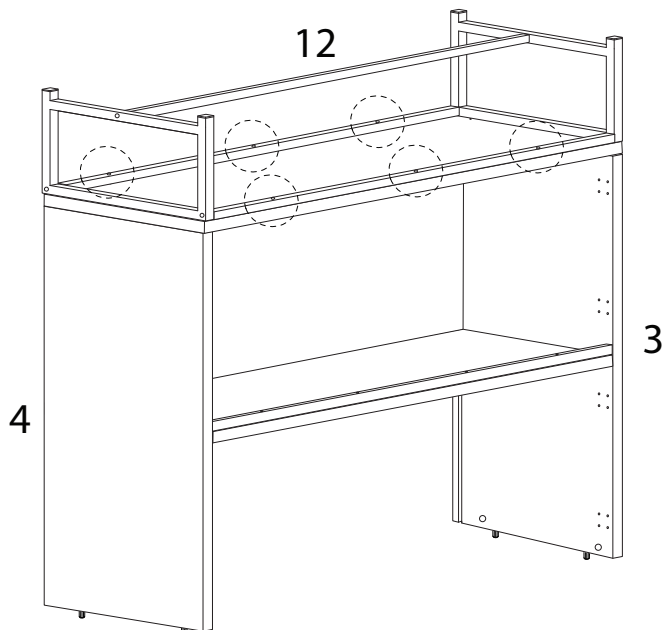
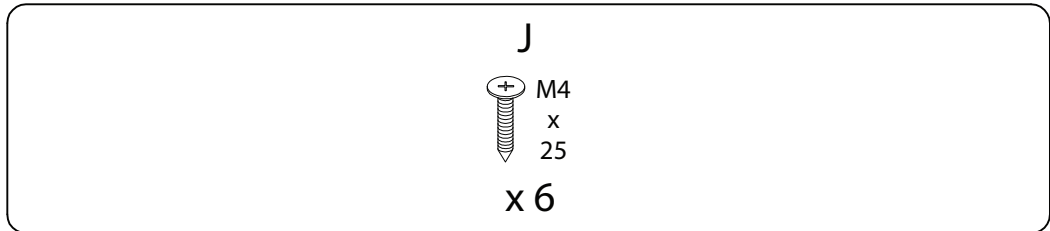
x 1



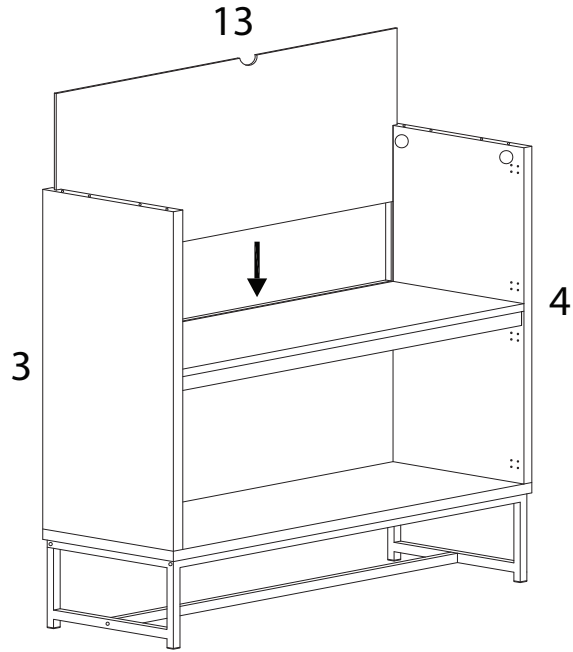
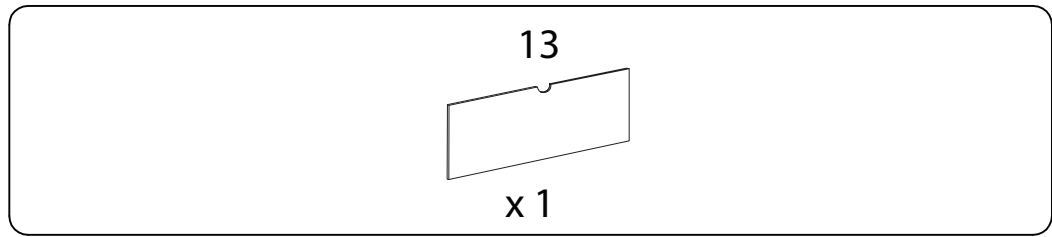
13



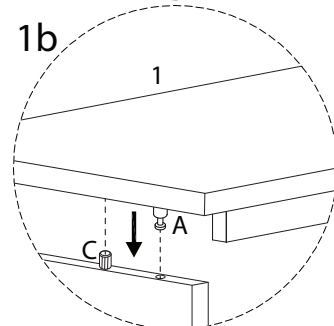
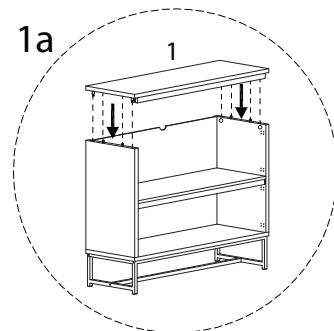
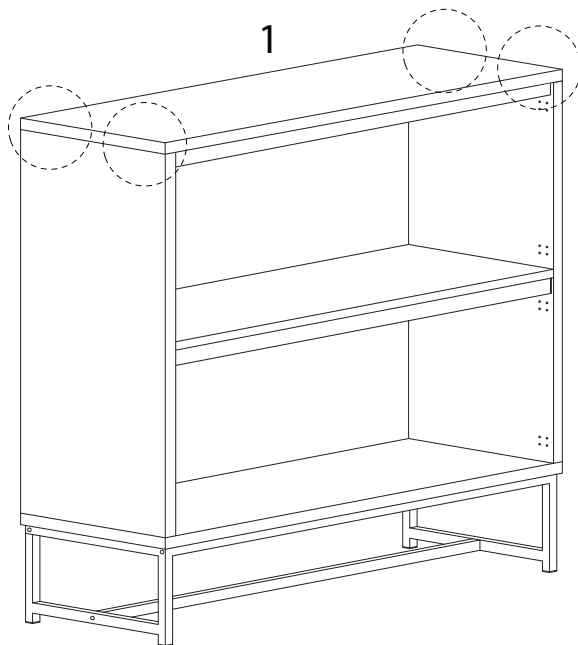
14



15



16

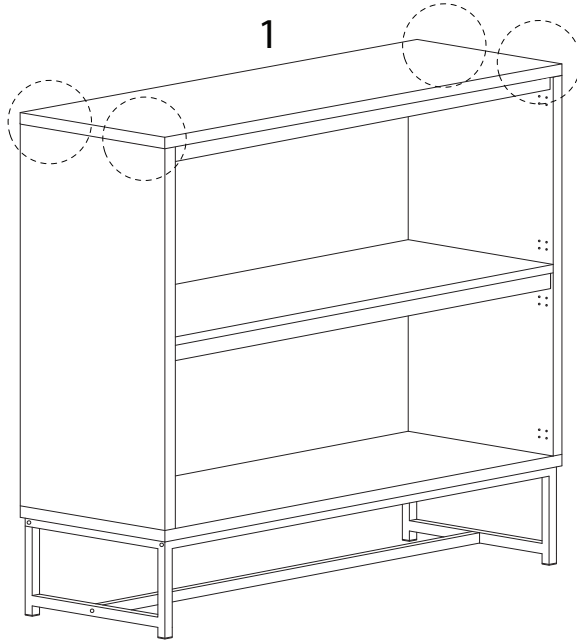


17

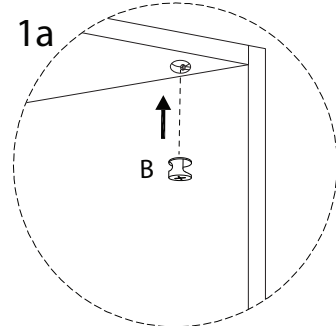
B



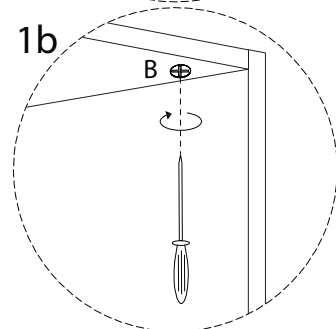
x 4



1a

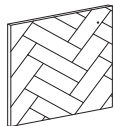


1b



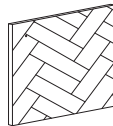
18 x 2

8



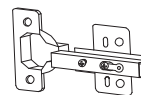
x 1

9



x 1

K



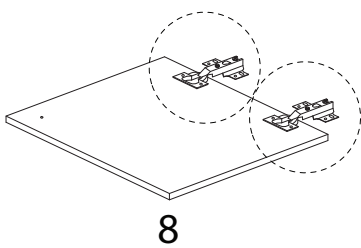
x 4

L

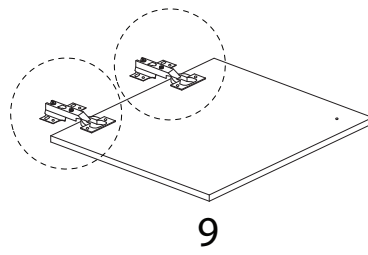


M4
x
14

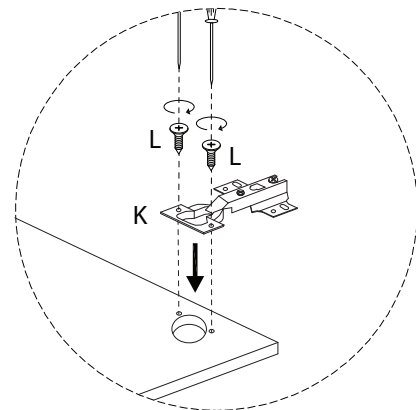
x 8



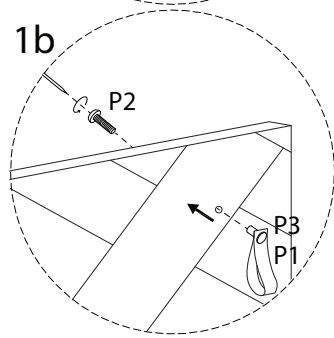
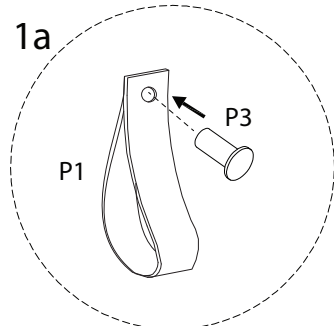
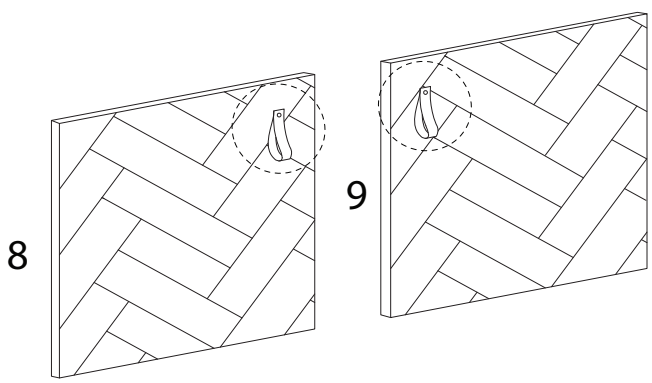
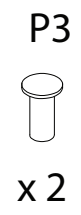
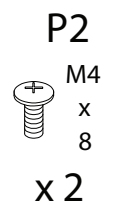
8



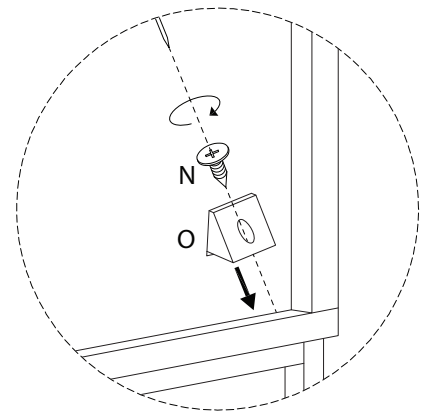
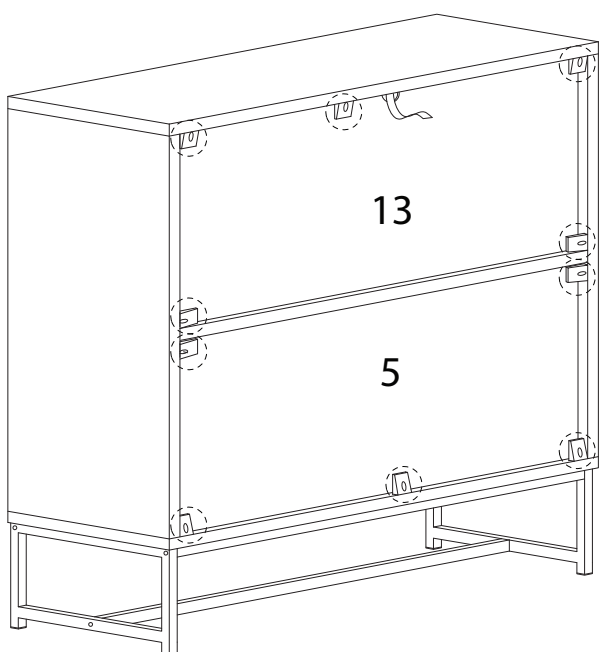
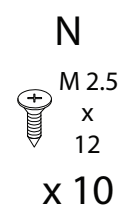
9



19 x 2



20

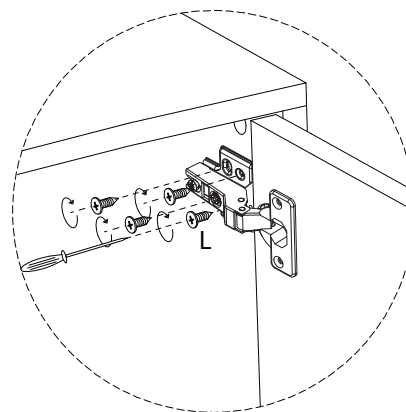
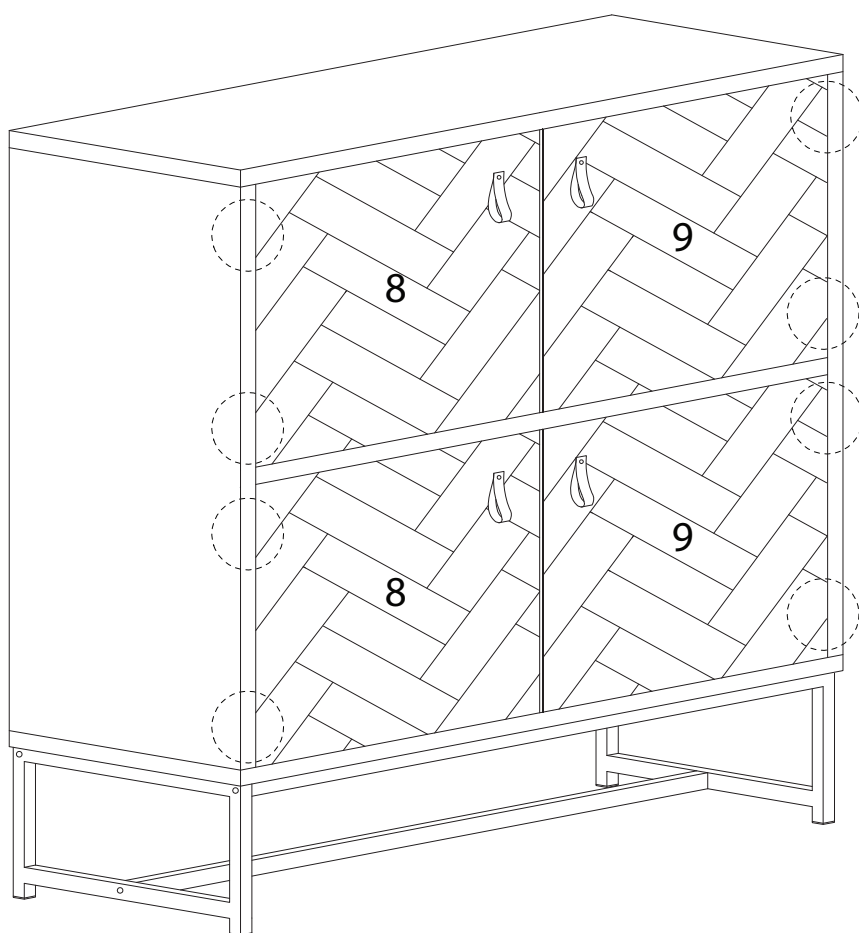


21

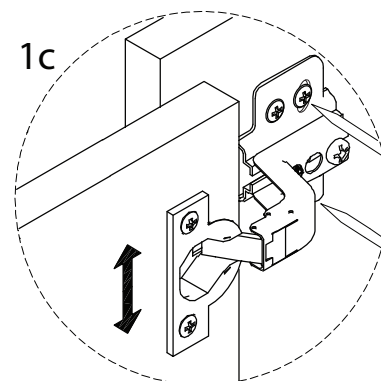
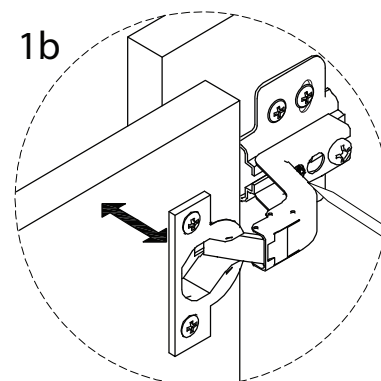
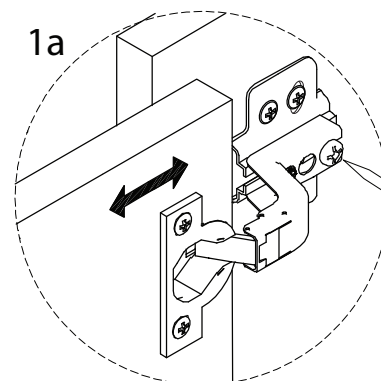
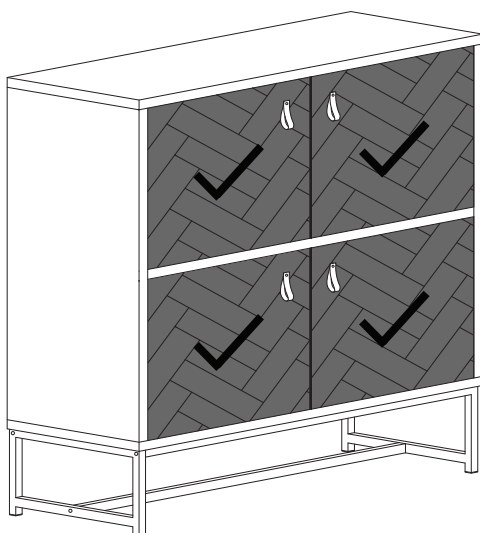
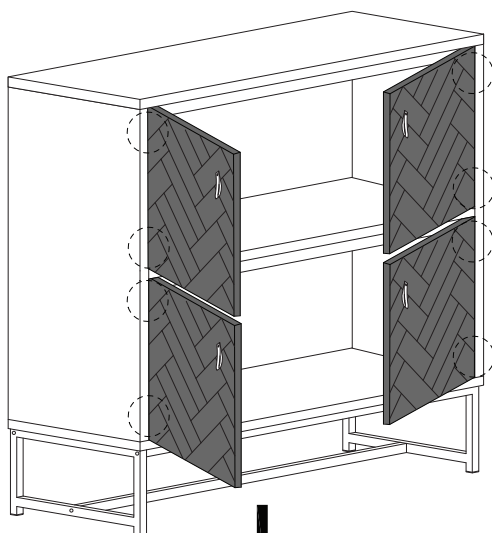
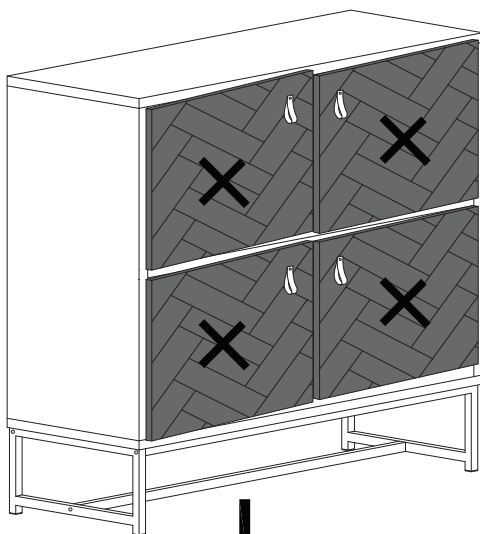
L



x 32



22



!

