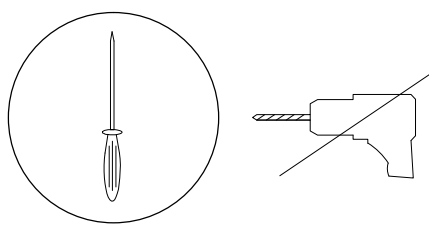
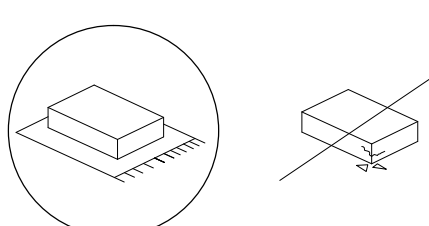
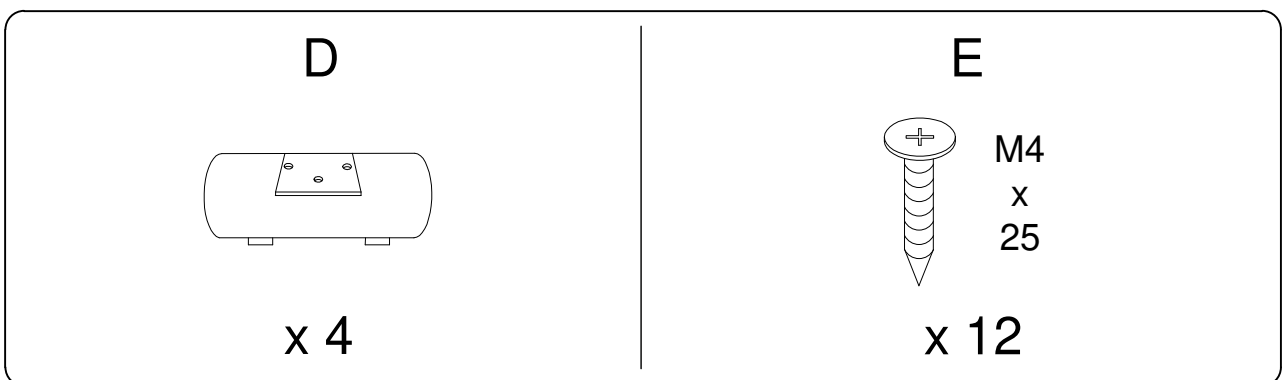
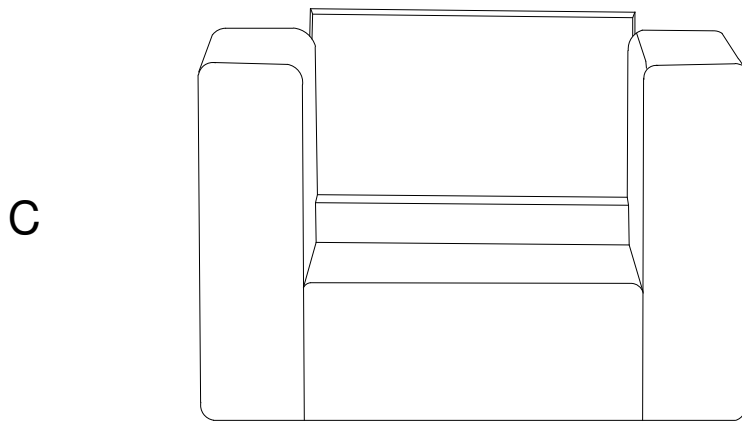
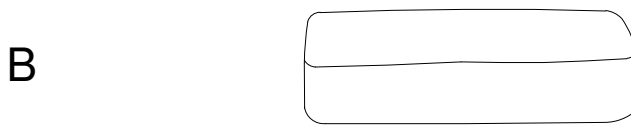
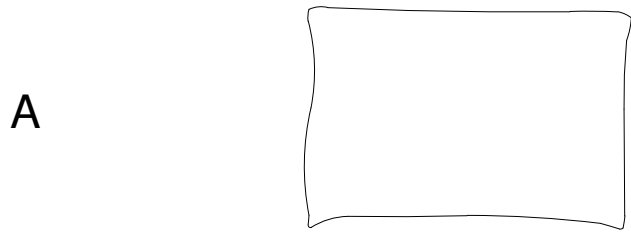
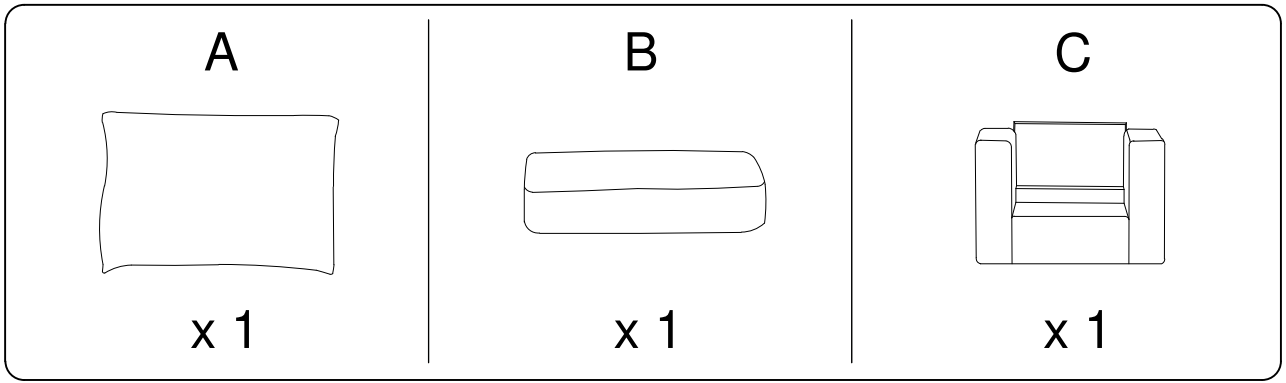


!  15'

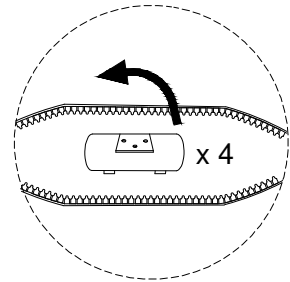
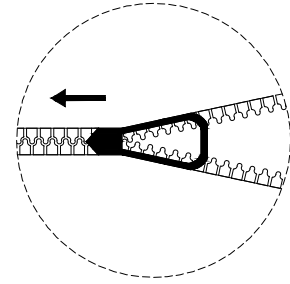
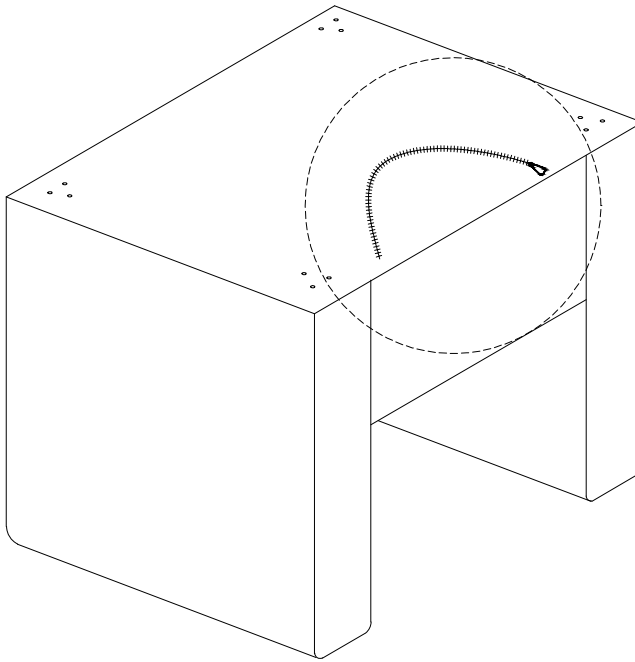
This section contains a warning triangle with an exclamation mark. To its left is a rounded rectangle containing two icons: a screwdriver inside a circle and a power drill with a diagonal line through it. To the right of the warning triangle is a clock icon with the number '15'' below it.

!  1

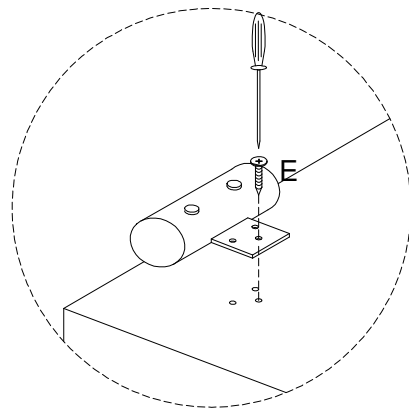
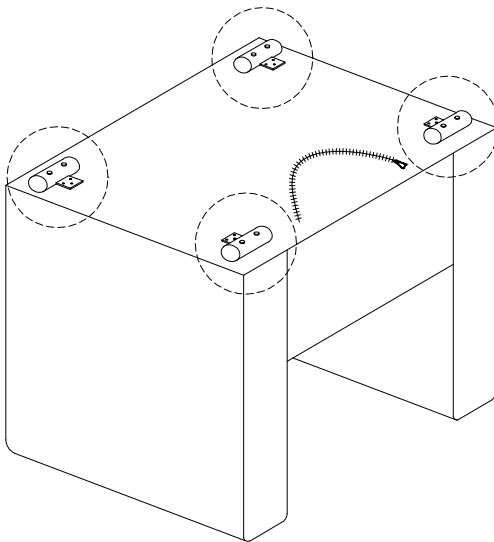
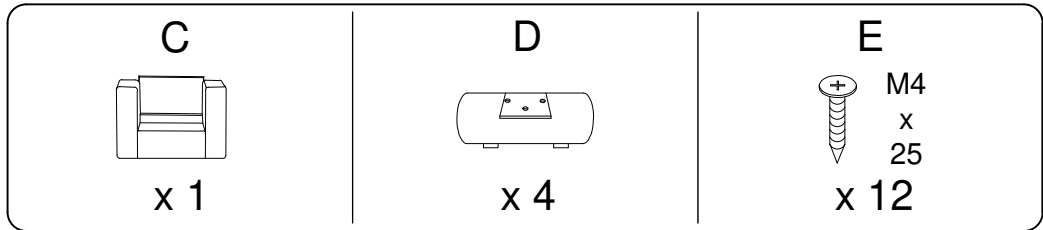
This section contains a warning triangle with an exclamation mark. To its left is a rounded rectangle containing two icons: a cushion on a base inside a circle and a cushion with a diagonal line through it. To the right of the warning triangle is a person icon with the number '1' below it.



1



2



3

