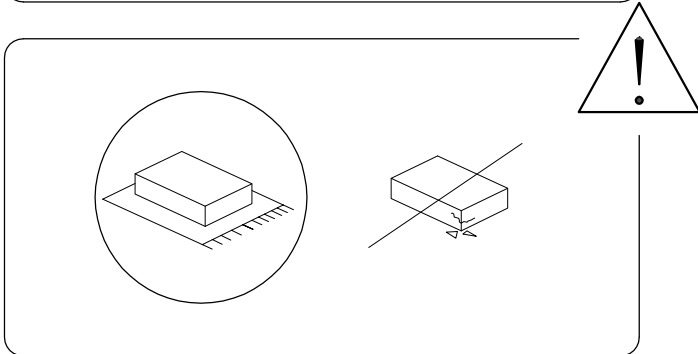
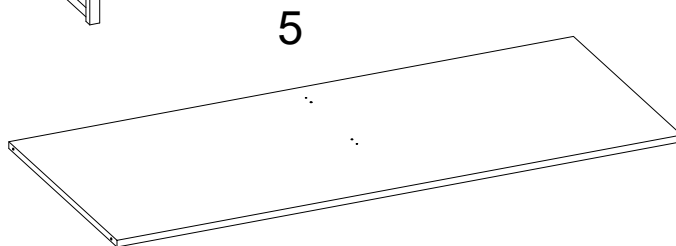
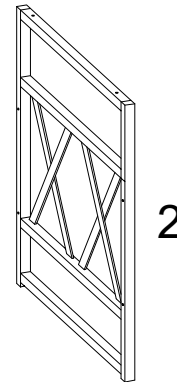
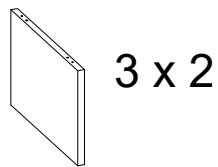
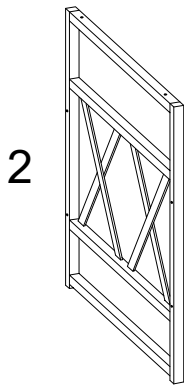
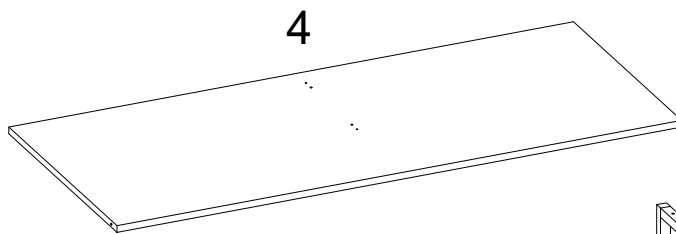
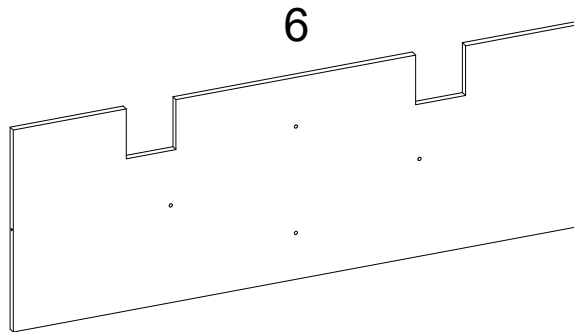
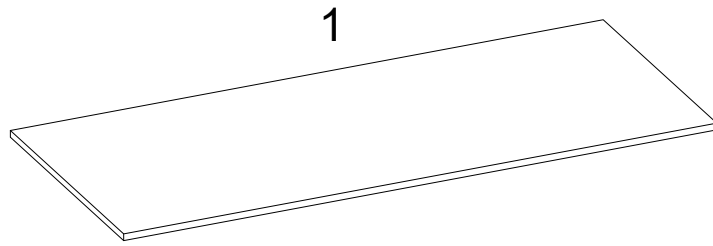


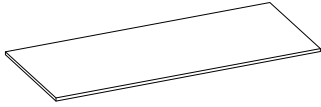
45'



1

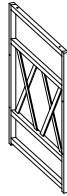


1



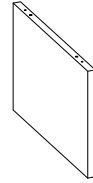
x 1

2



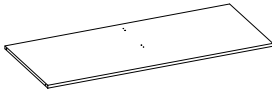
x 2

3



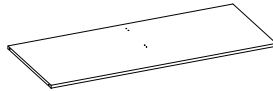
x 2

4



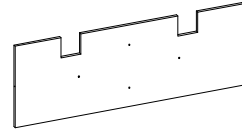
x 1

5



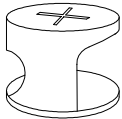
x 1

6



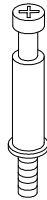
x 1

A



x 4

B



x 4

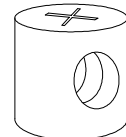
C



Ø6  
x  
30

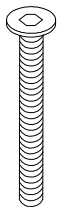
x 8

D



x 8

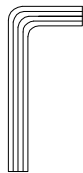
E



M 6  
x  
55

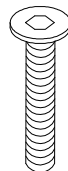
x 8

F



x 1

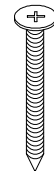
G



M 6  
x  
30

x 4

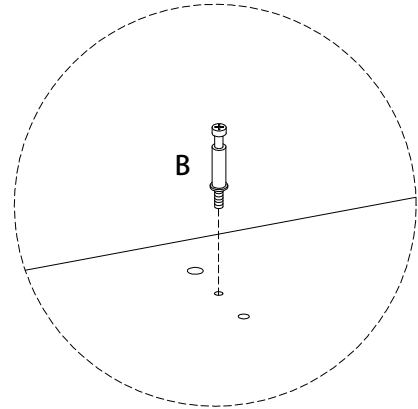
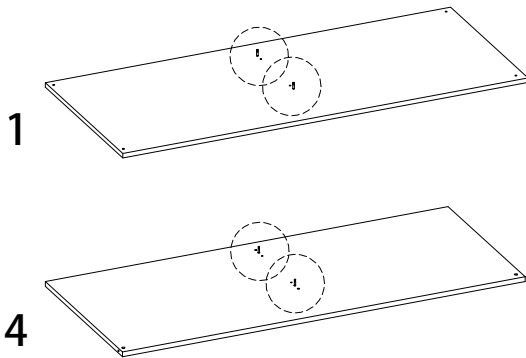
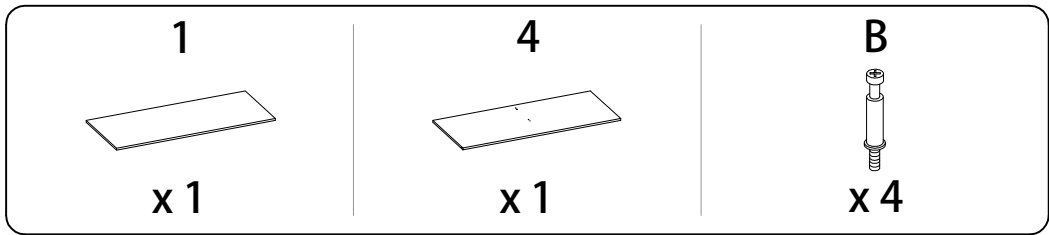
H



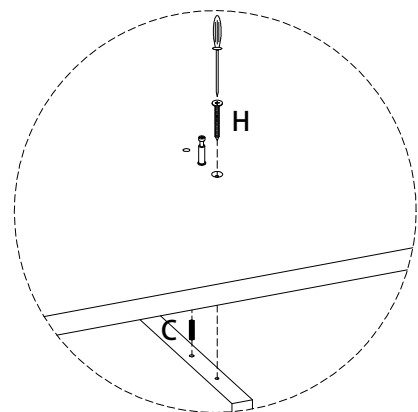
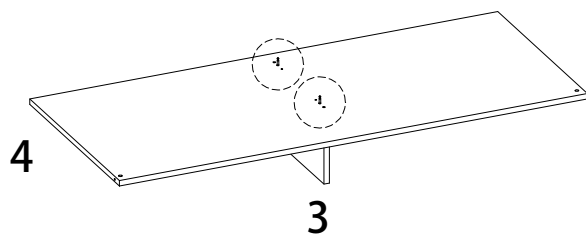
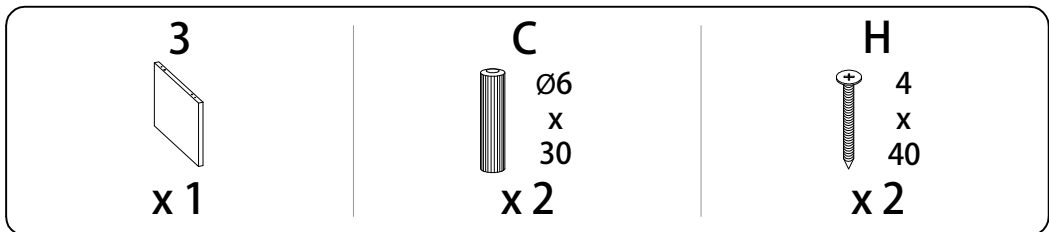
4  
x  
40

x 8

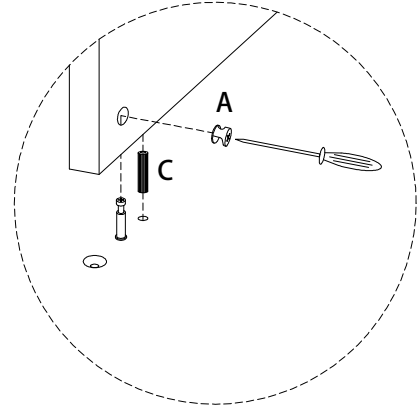
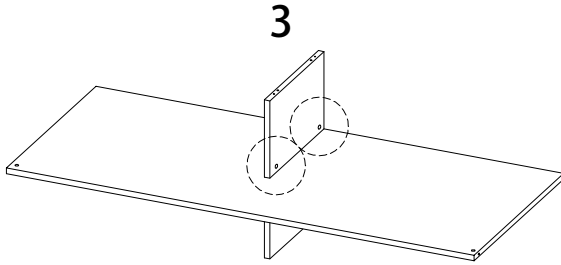
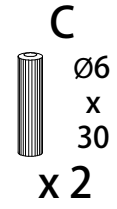
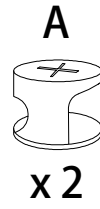
1



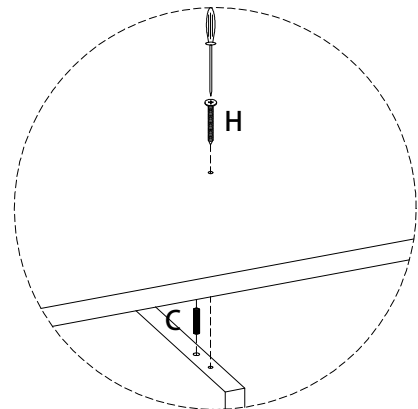
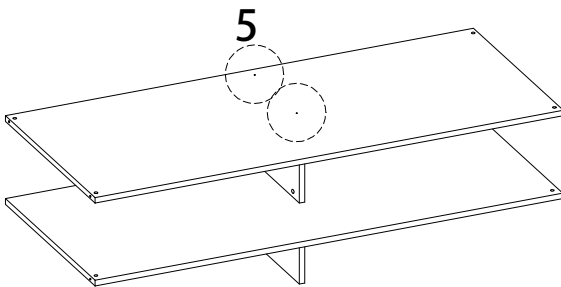
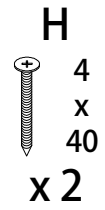
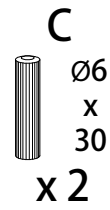
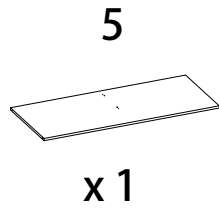
2



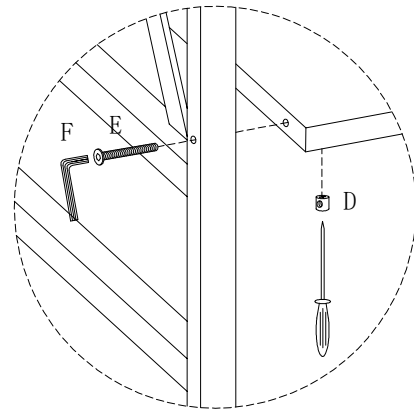
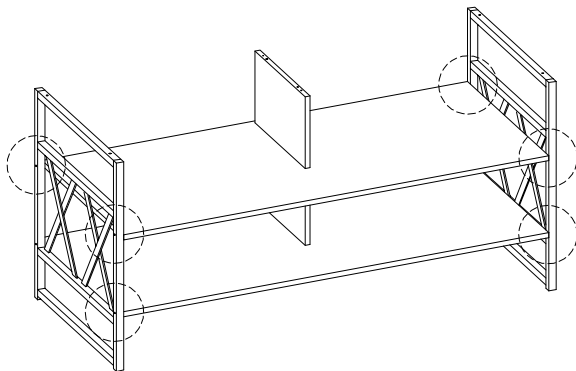
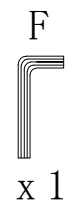
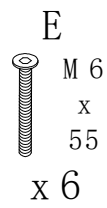
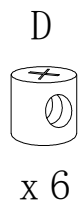
3



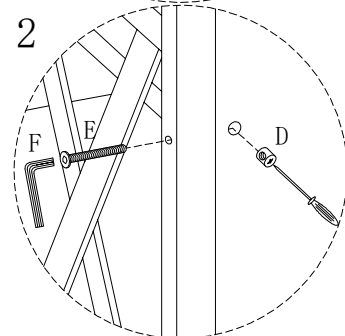
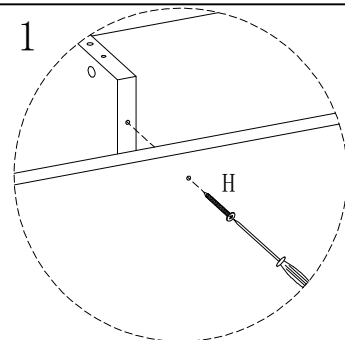
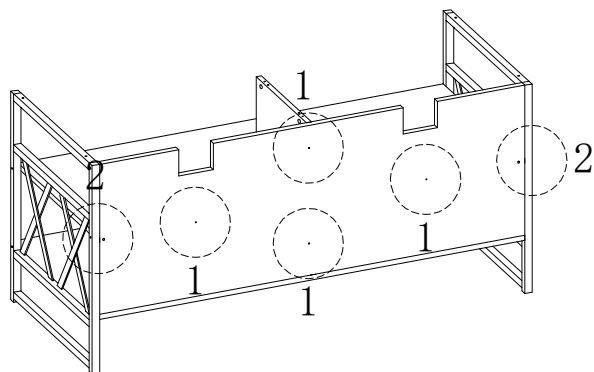
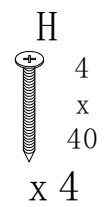
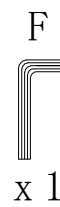
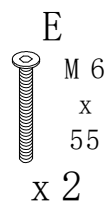
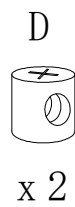
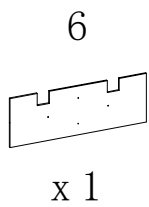
4



5



6



7

