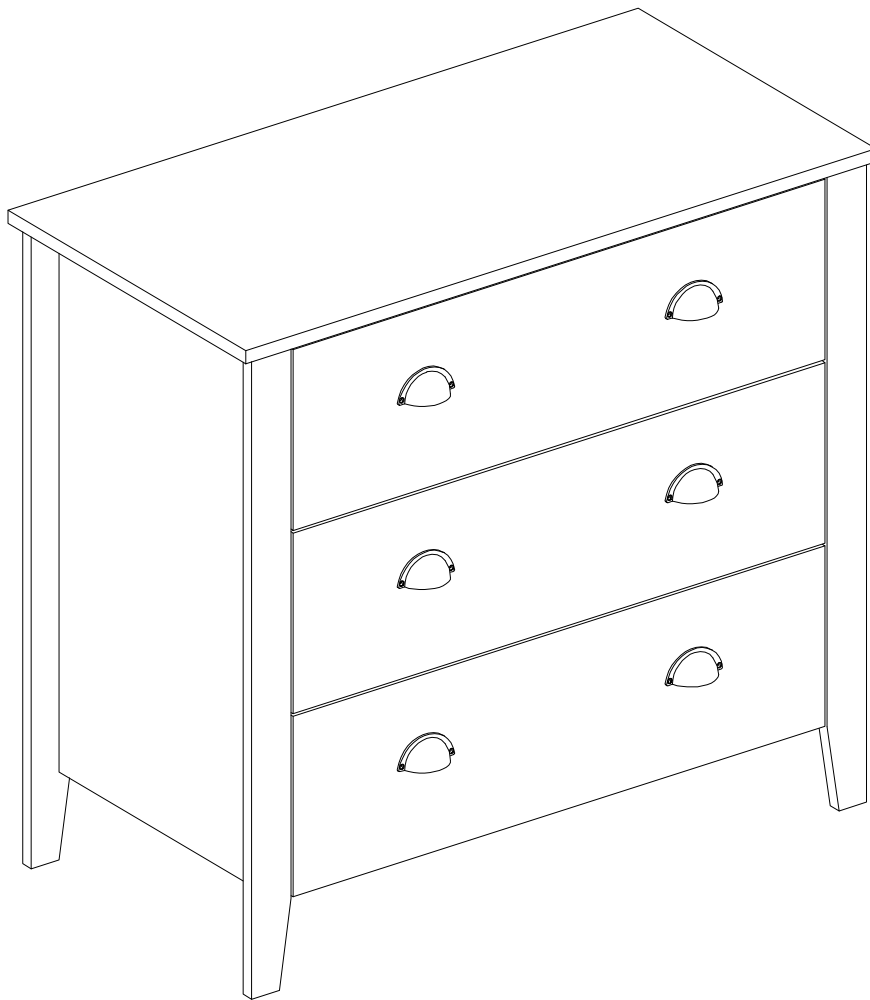
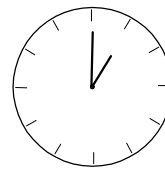
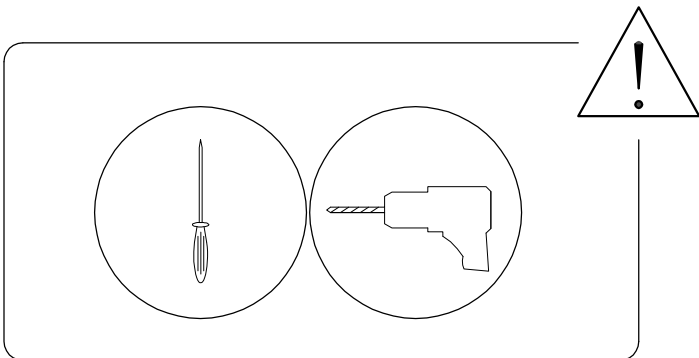
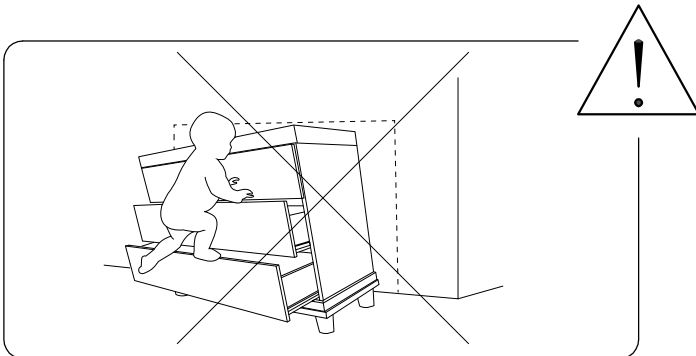
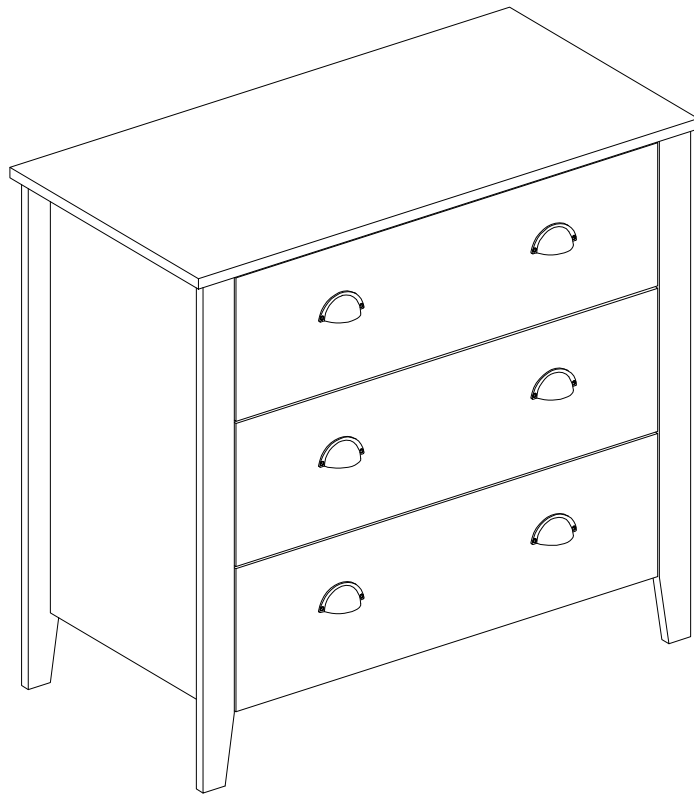
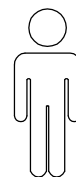
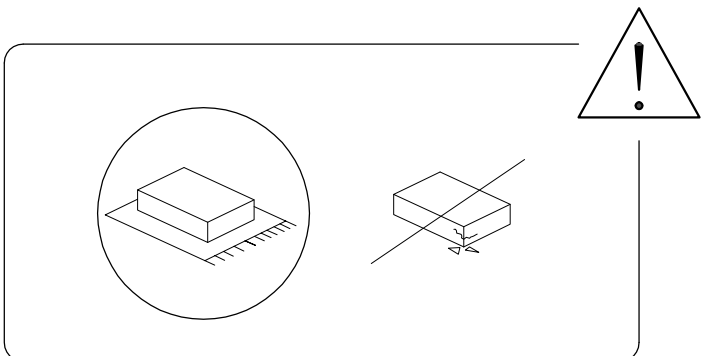


# DONOVAN

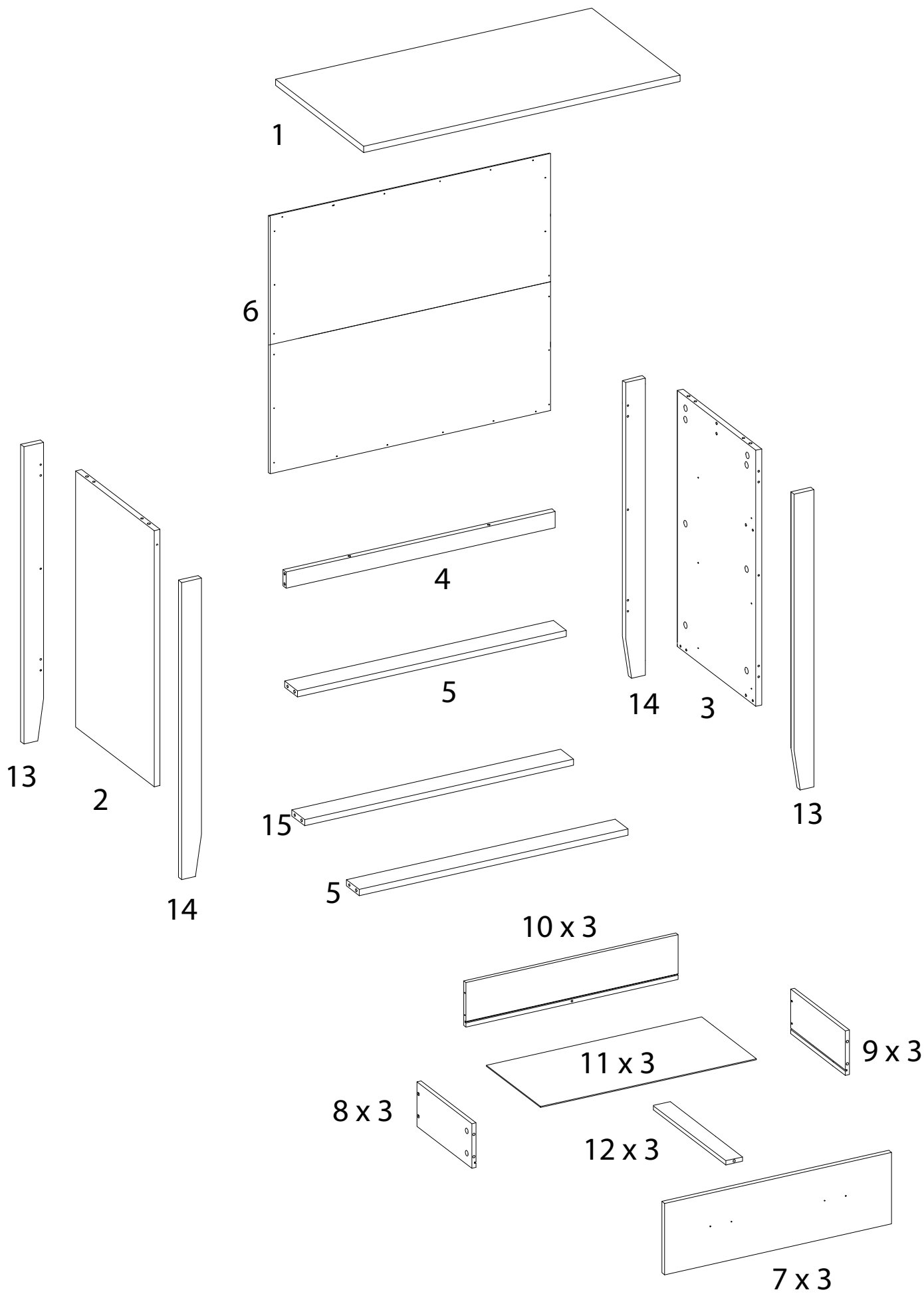


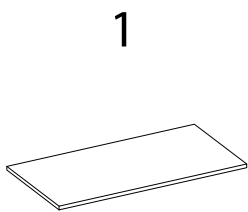


60'



1





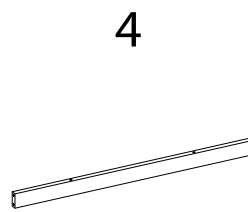
x 1



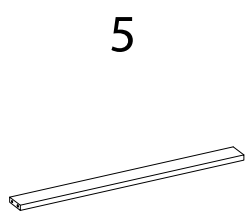
x 1



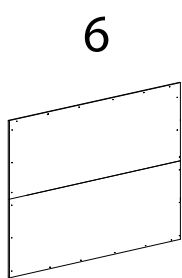
x 1



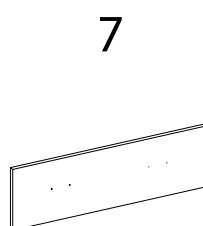
x 1



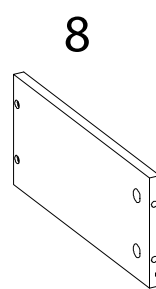
x 2



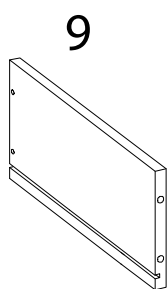
x 1



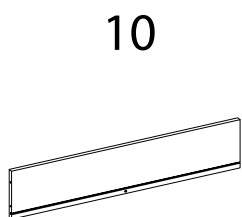
x 3



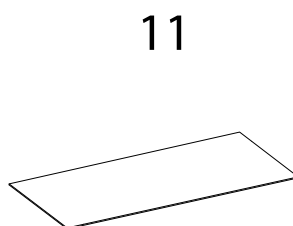
x 3



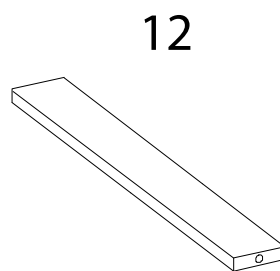
x 3



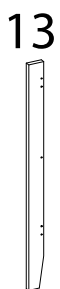
x 3



x 3



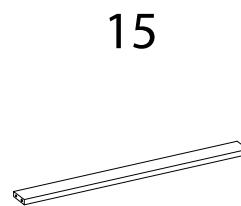
x 3



x 2

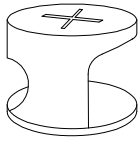


x 2



x 1

A



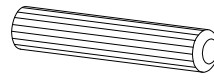
x 37

B



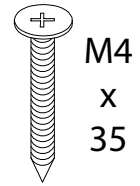
x 37

C



x 24

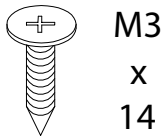
D



M4  
x  
35

x 15

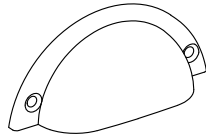
E



M3  
x  
14

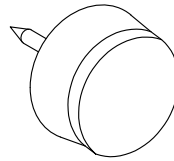
x 12

F



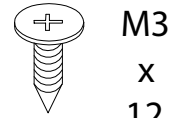
x 6

G



x 4

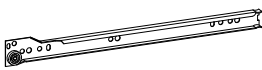
H



M3  
x  
12

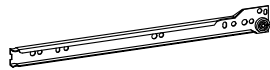
x 36

CL



x 3

CR



x 3

DL



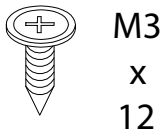
x 3

DR



x 3

M



M3  
x  
12

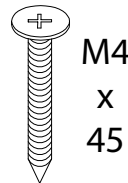
x 24

N



x 2

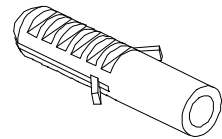
O



M4  
x  
45

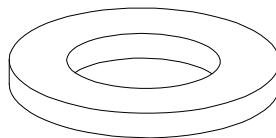
x 2

P

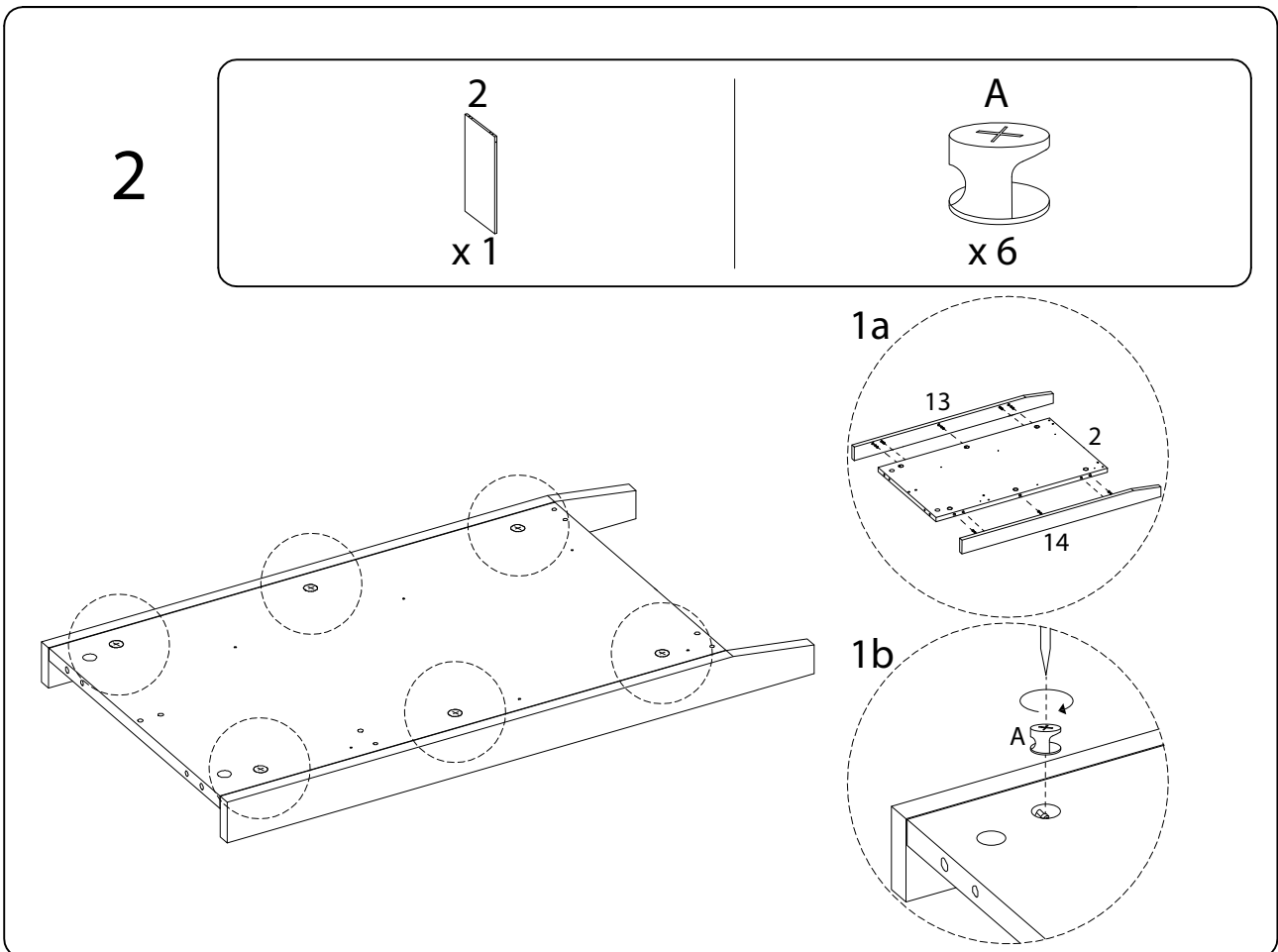
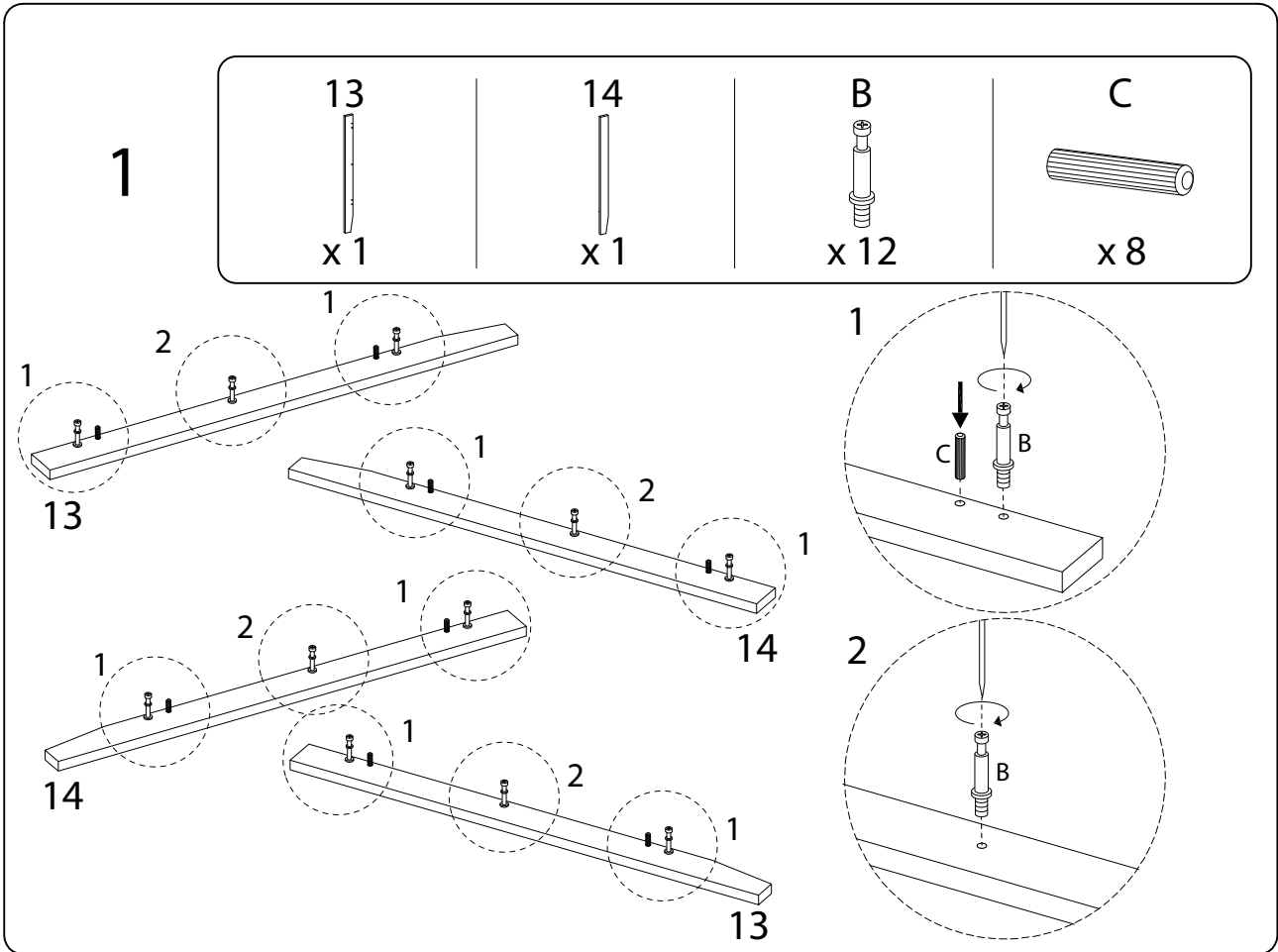


x 2

Q



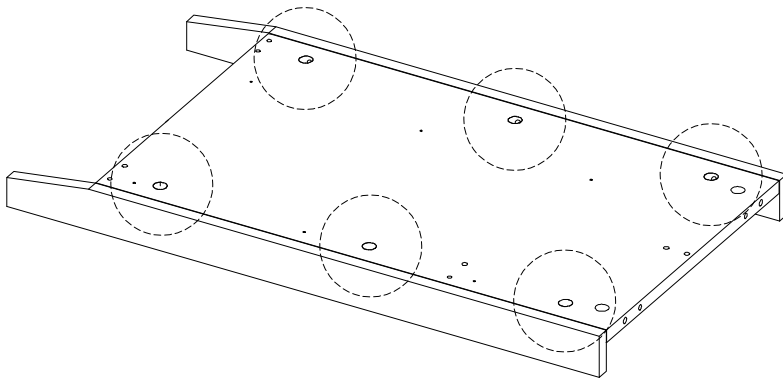
x 4



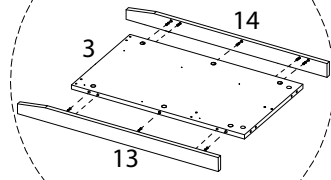
3



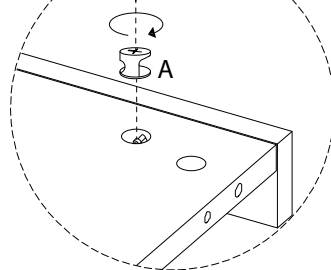
A



1a

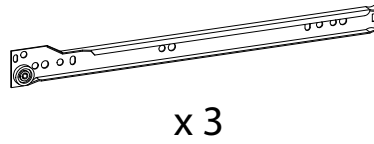


1b

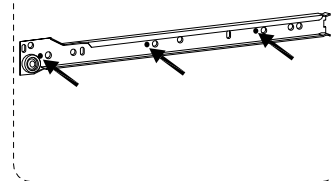
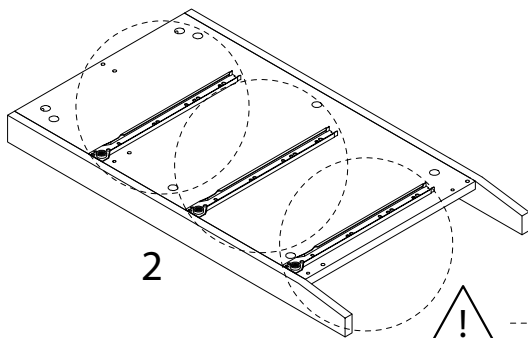
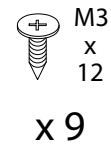


4

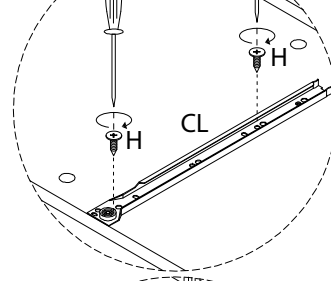
CL



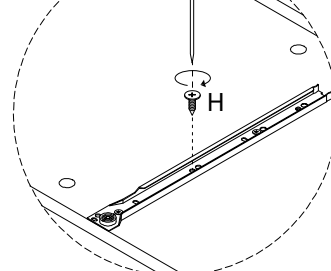
H



1a

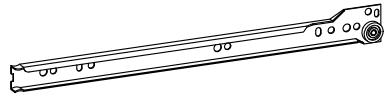


1b



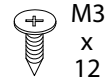
5

CR

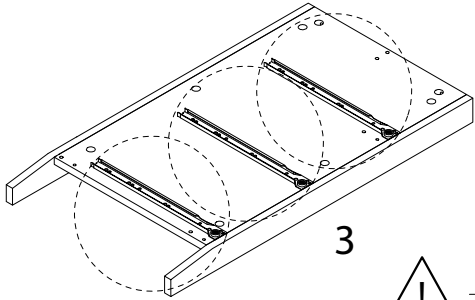


x 3

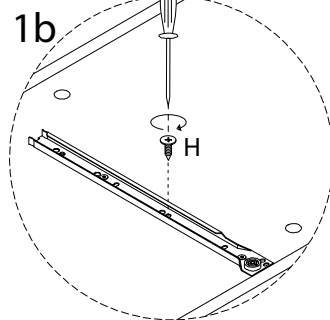
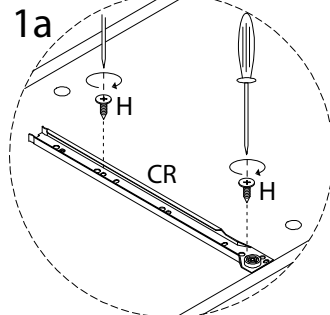
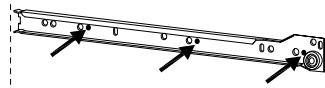
H



x 9



3



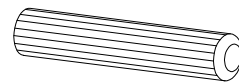
6

B

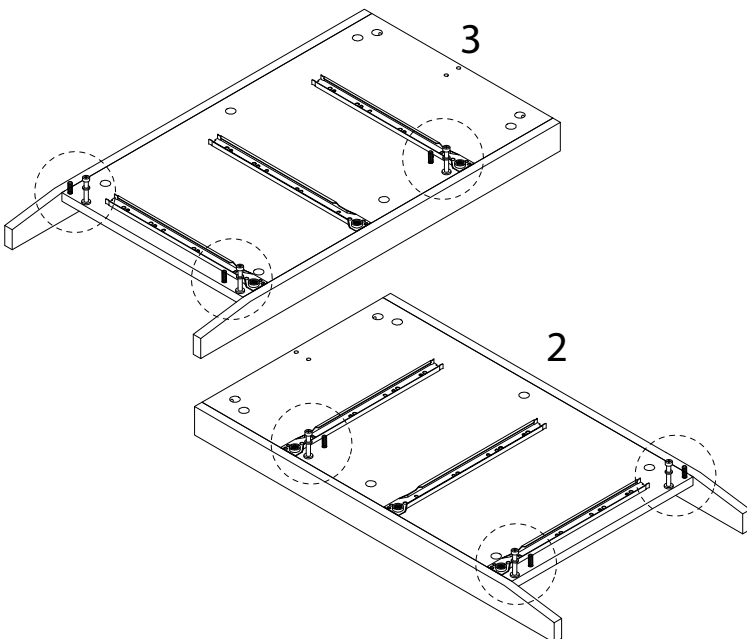


x 6

C

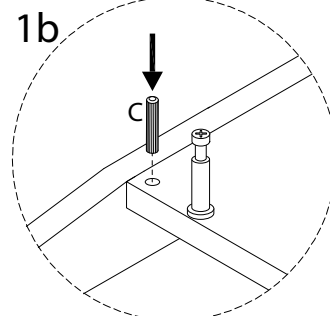
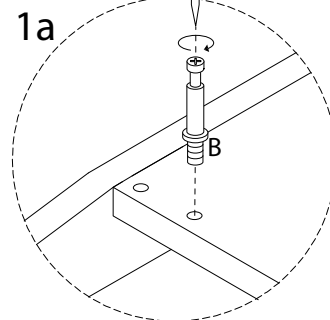


x 6



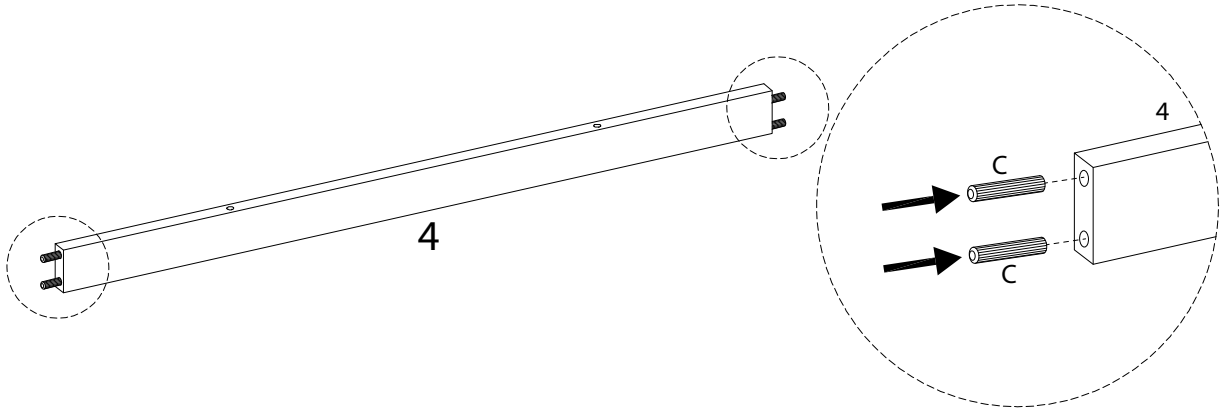
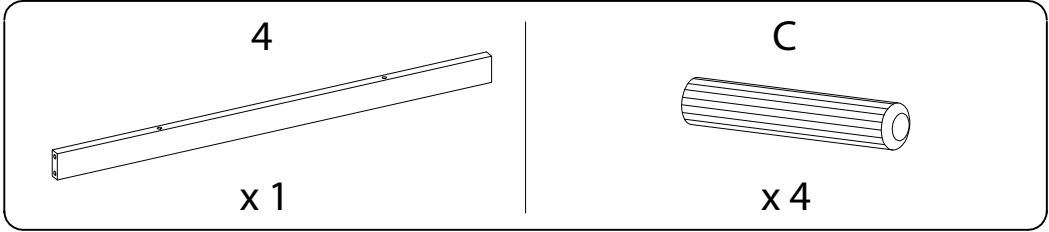
3

2

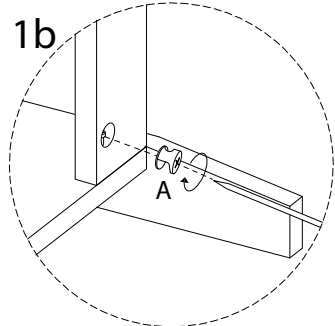
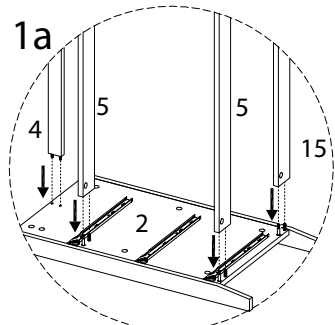
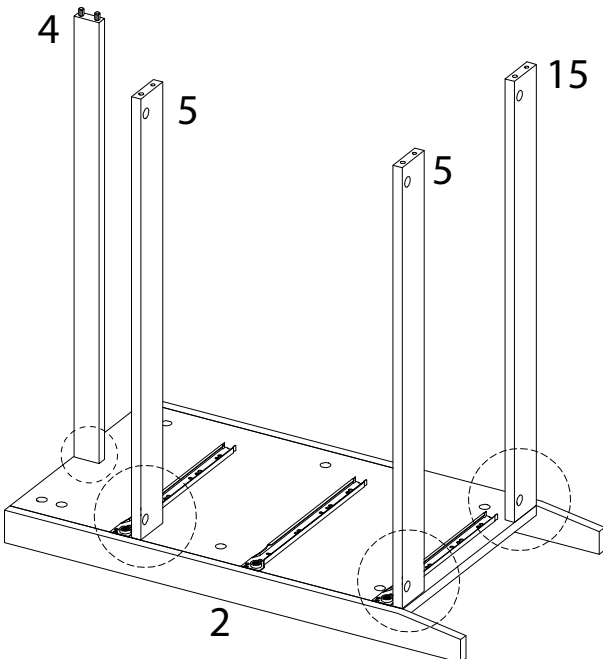
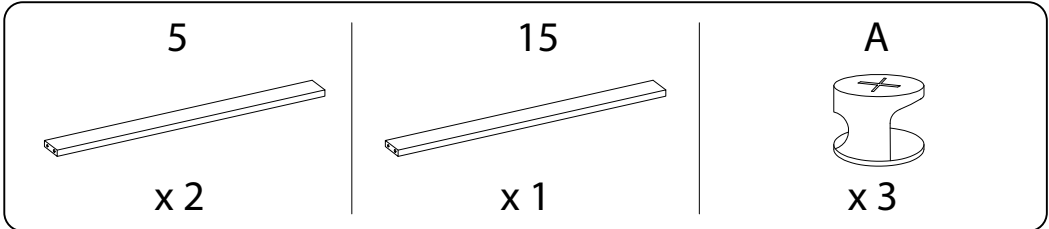




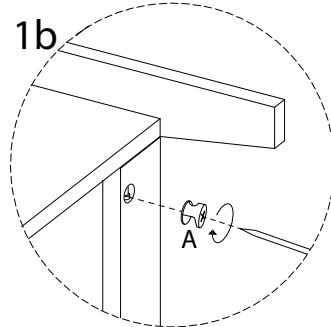
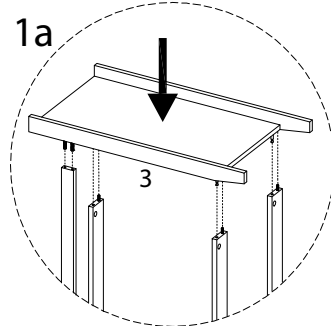
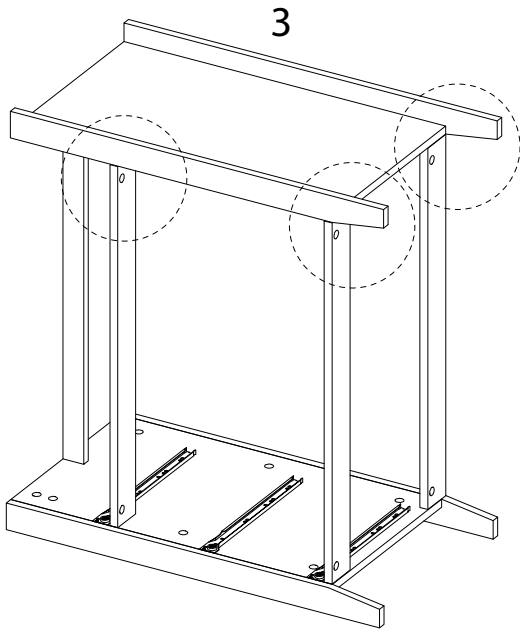
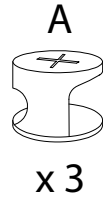
7



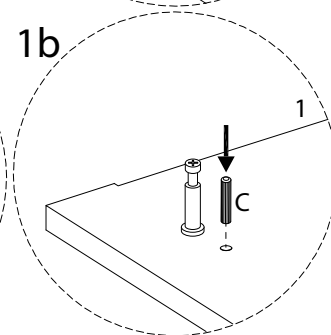
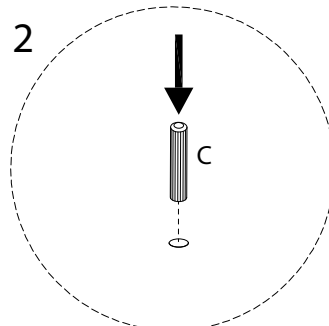
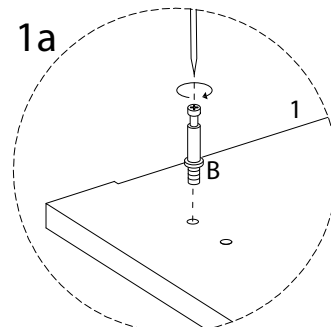
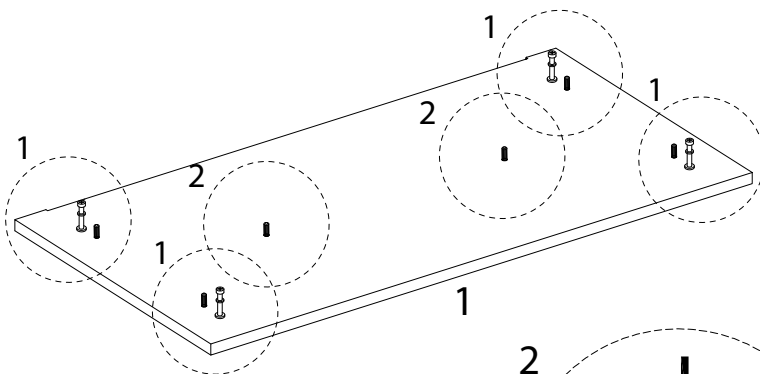
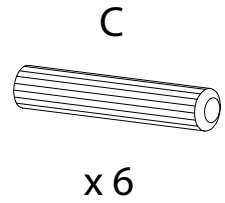
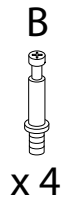
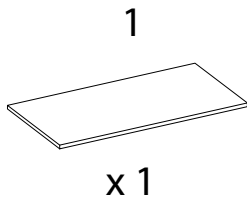
8



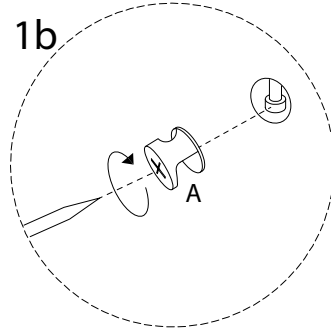
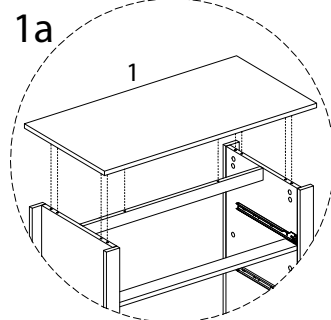
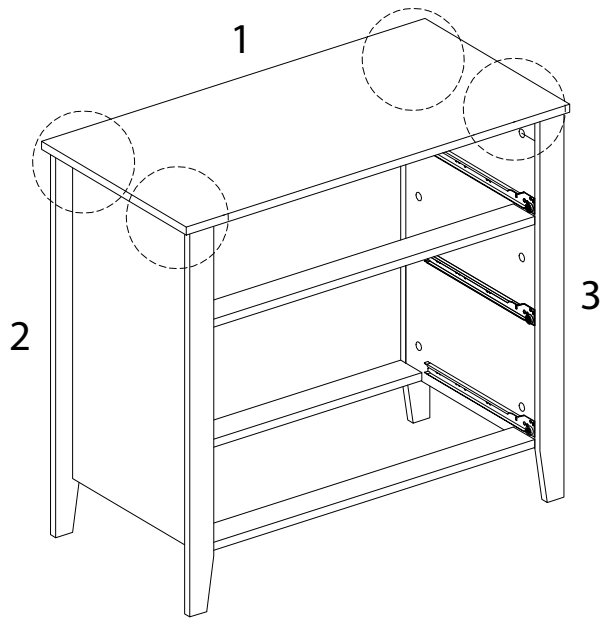
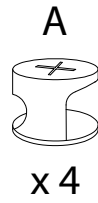
9



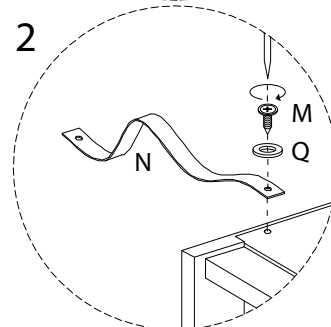
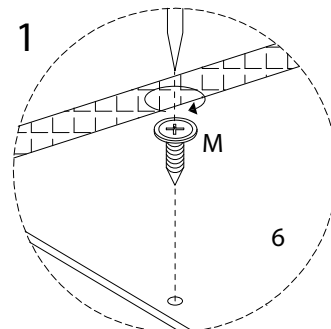
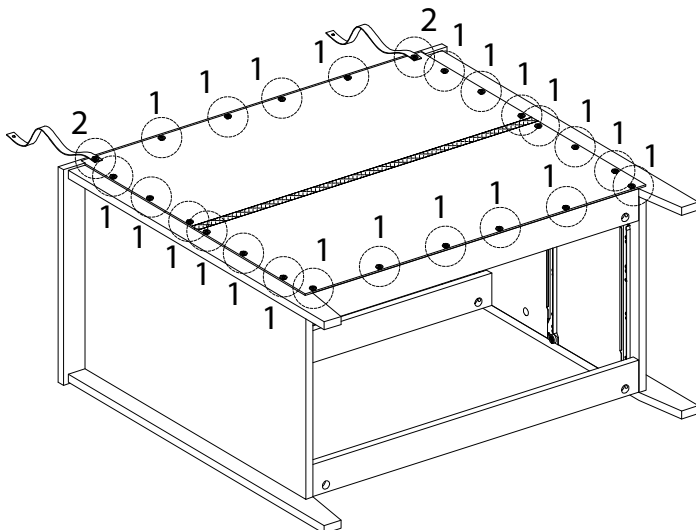
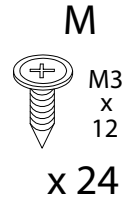
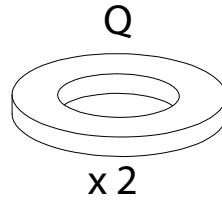
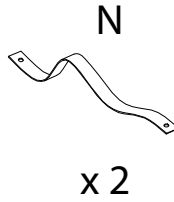
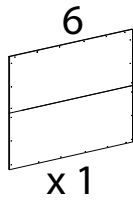
10



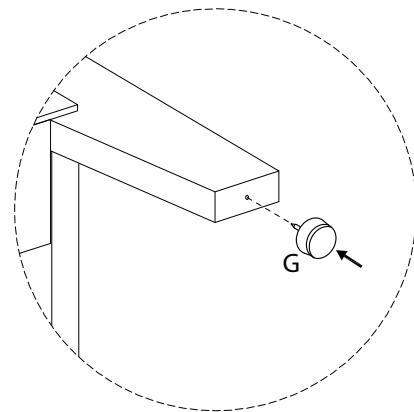
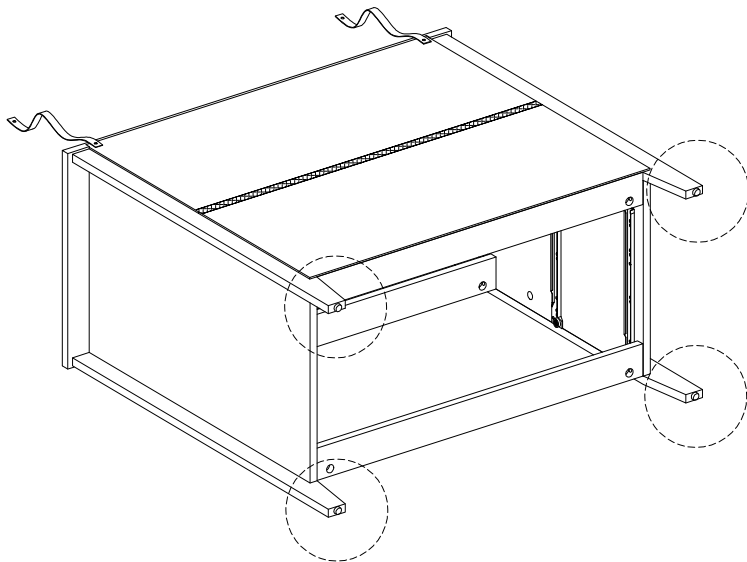
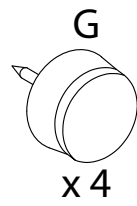
11



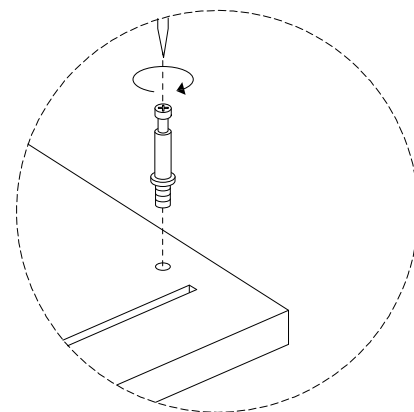
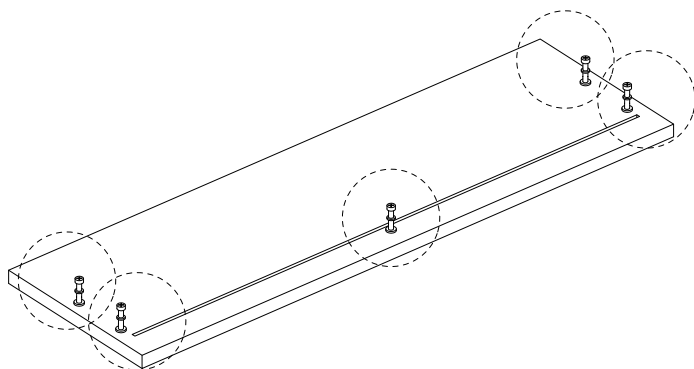
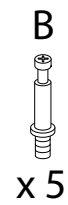
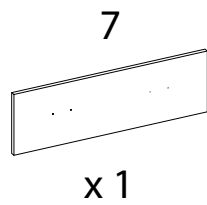
12



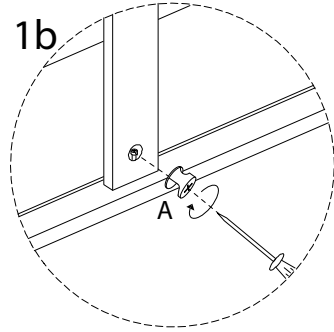
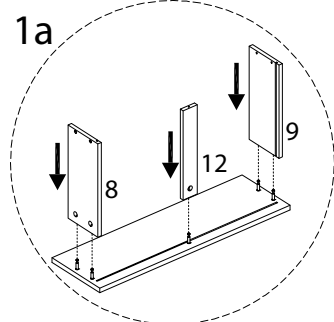
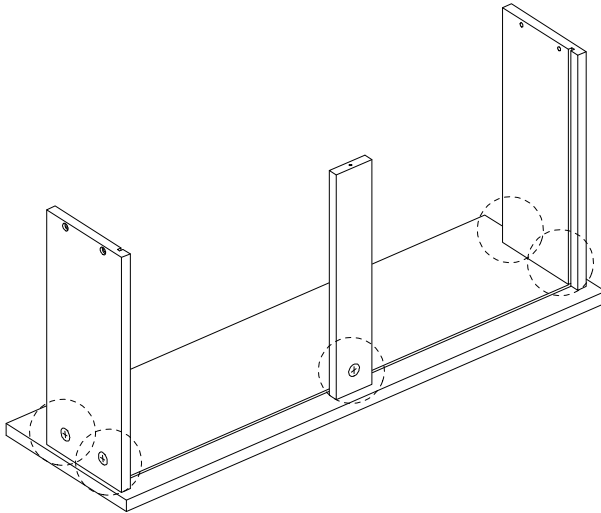
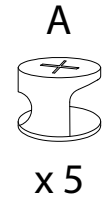
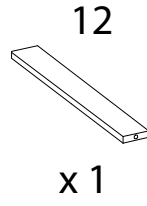
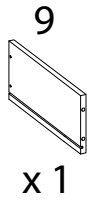
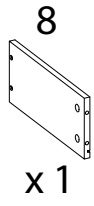
13



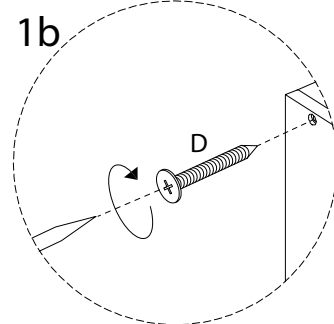
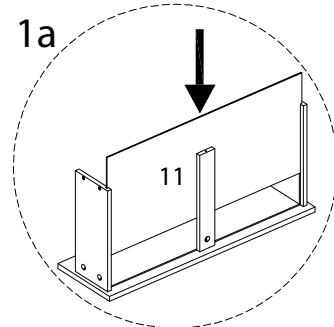
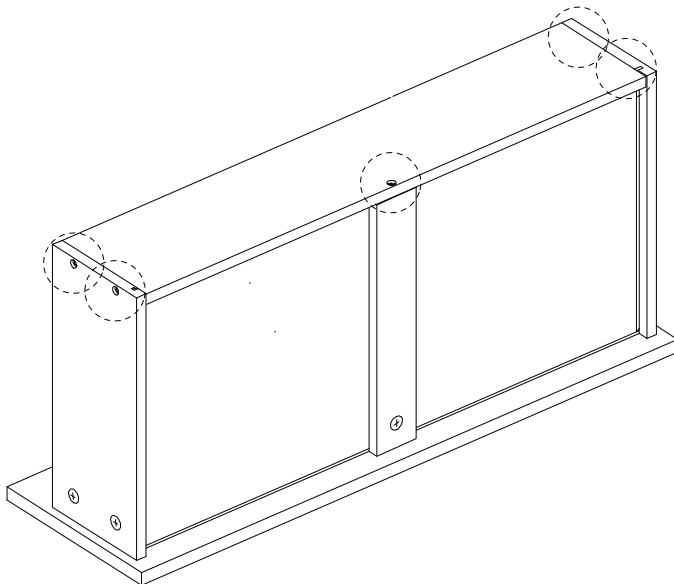
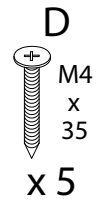
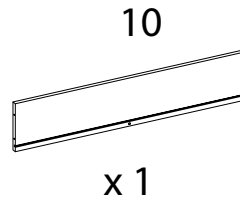
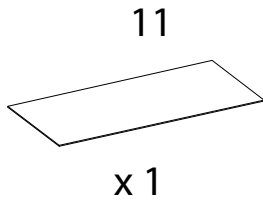
14 x 3



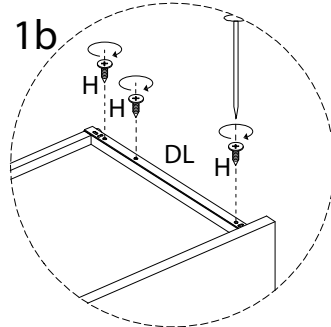
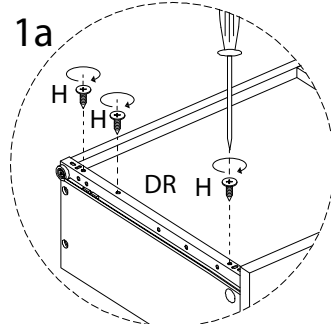
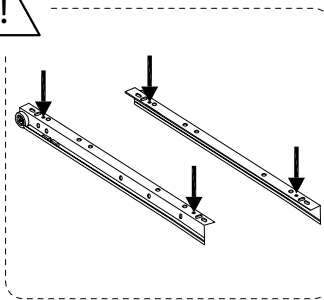
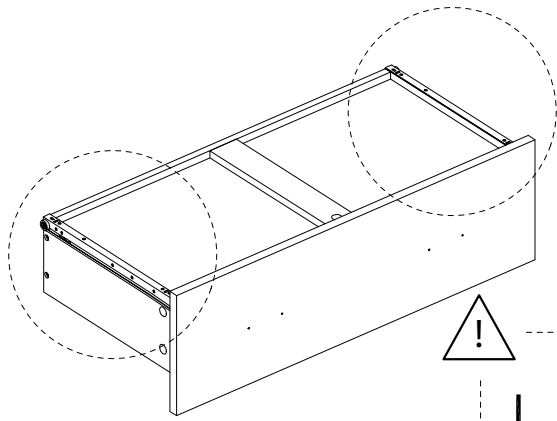
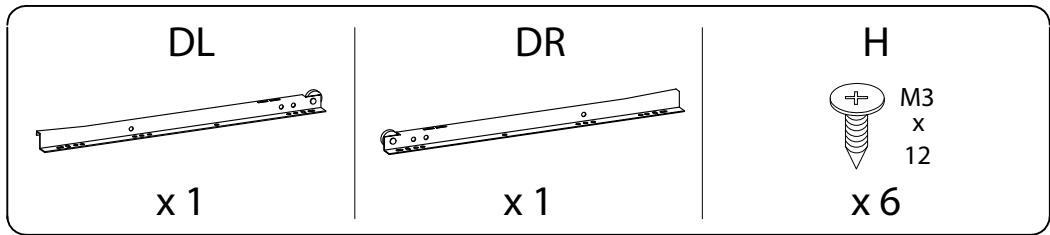
15 x 3



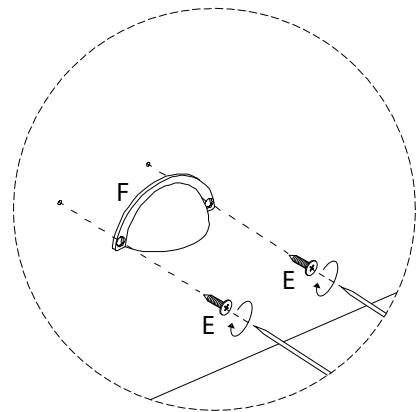
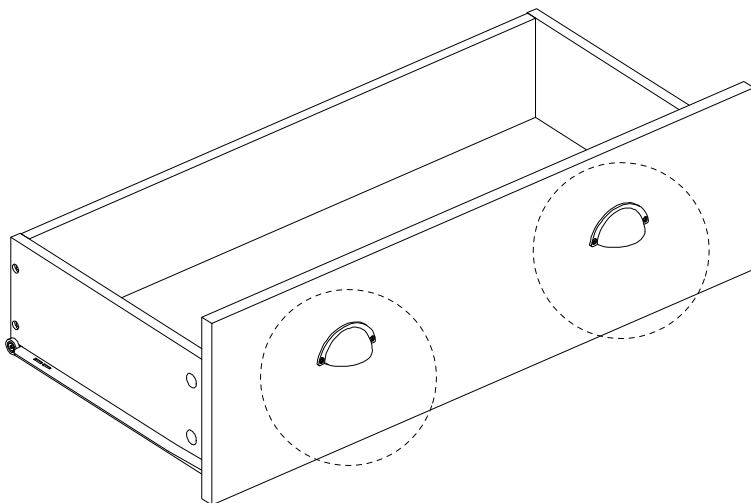
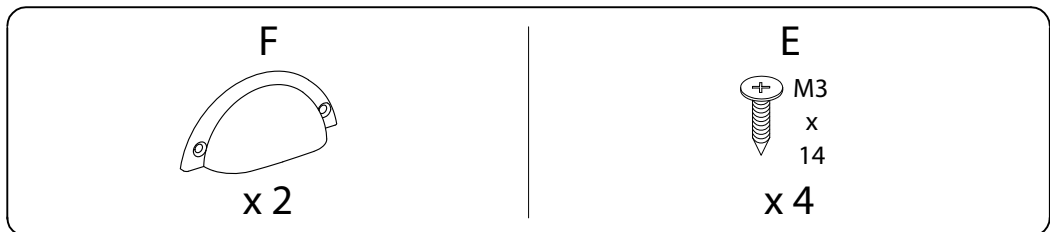
16 x 3



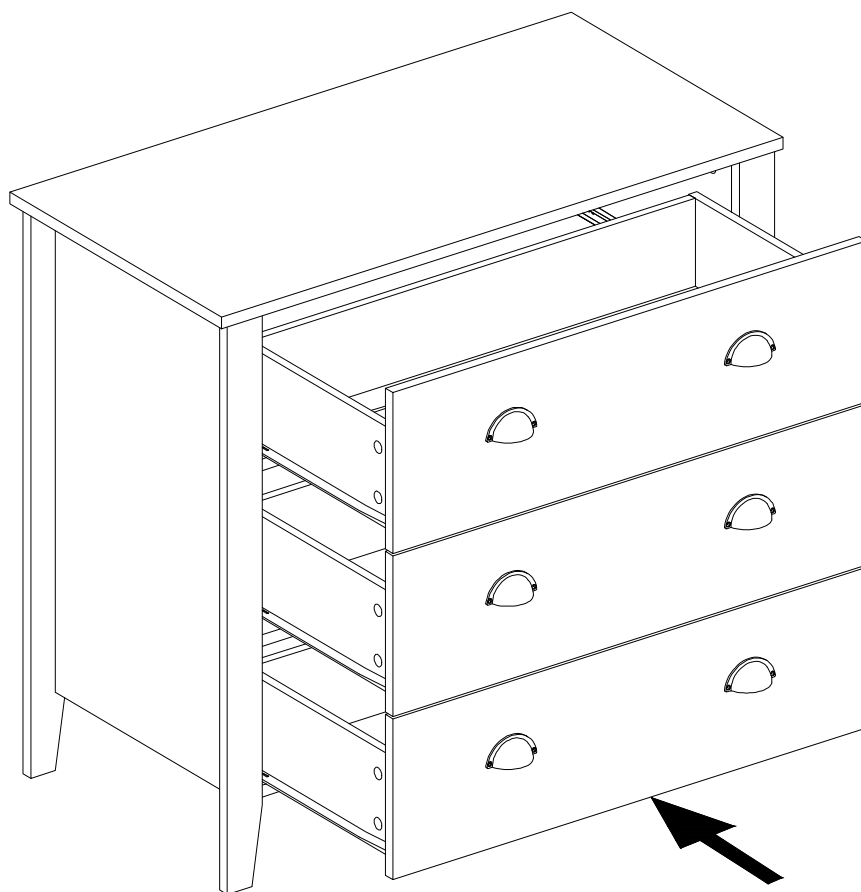
17 x 3



18 x 3



19



20

