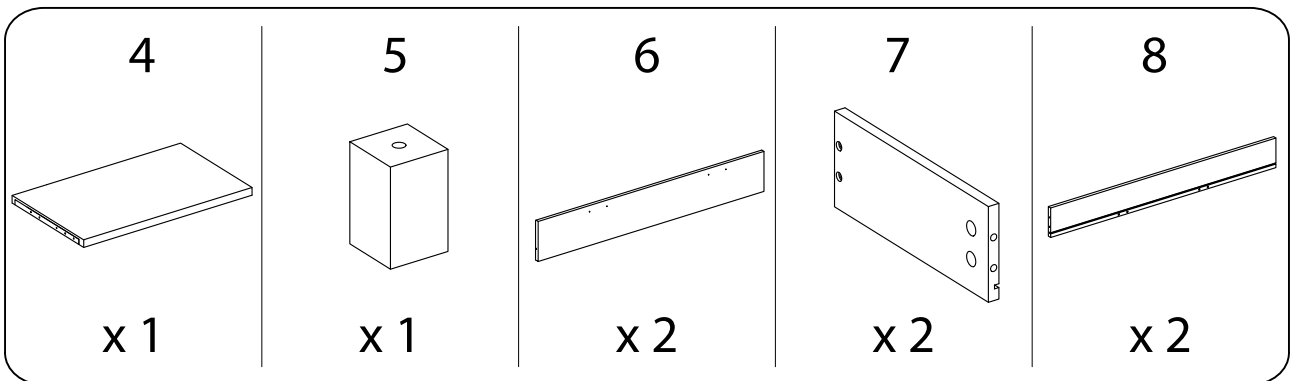
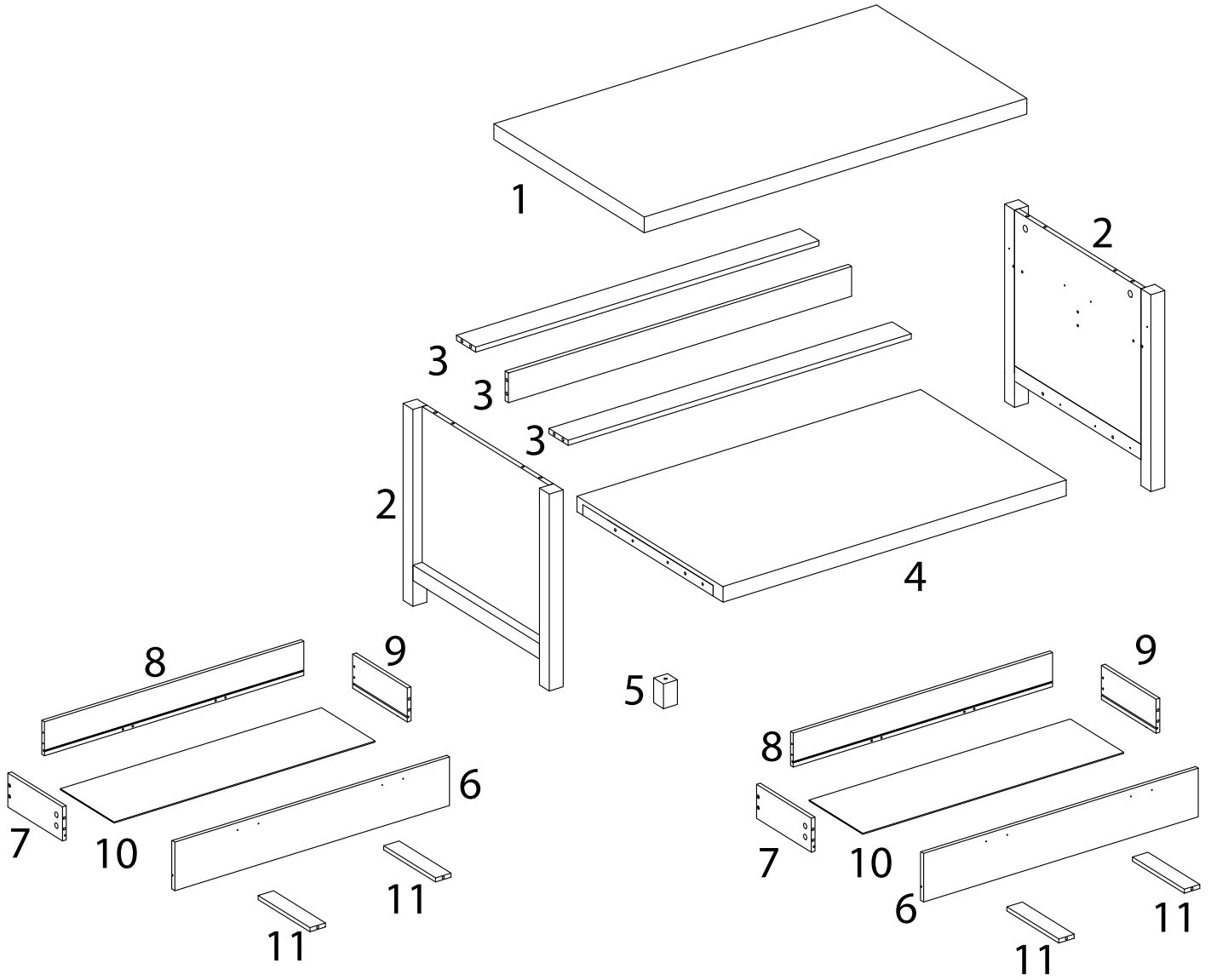
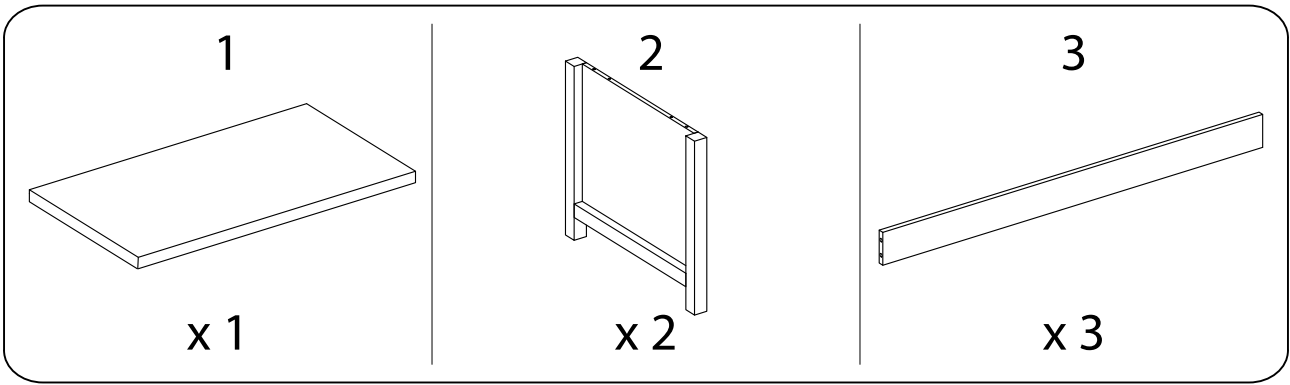
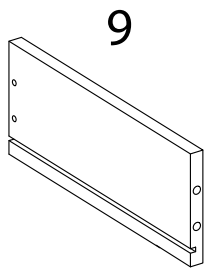


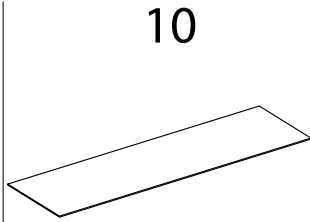
Assembly instructions for step 1/13:

- Tools:** A circle containing a screwdriver and an L-shaped hex key. A power drill is shown with a diagonal line through it, indicating it is not to be used.
- Warning:** A triangle with an exclamation mark.
- Time:** A clock icon with the text "60'" below it, indicating a 60-minute assembly time.
- Personnel:** A stick figure icon with the number "2" below it, indicating that two people are required for assembly.
- Diagram:** A circle showing a rectangular block being placed on a surface with a textured pattern. A second diagram shows the block being secured to the surface with a screw.
- Warning:** A triangle with an exclamation mark.

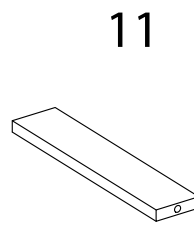




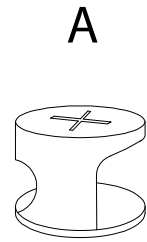
x 2



x 2



x 4



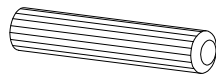
x 28

B



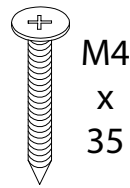
x 28

C



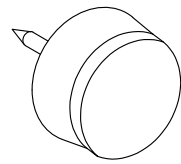
x 8

D



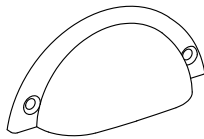
x 16

E



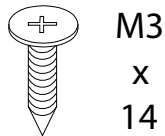
x 5

F



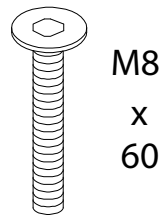
x 4

G



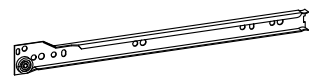
x 8

H



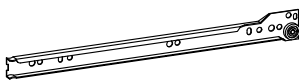
x 8

I



x 2

J



x 2

K



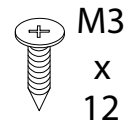
x 2

L



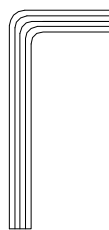
x 2

M



x 24

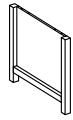
N



x 1

1 x 2

2



x 1

I



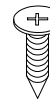
x 1

J



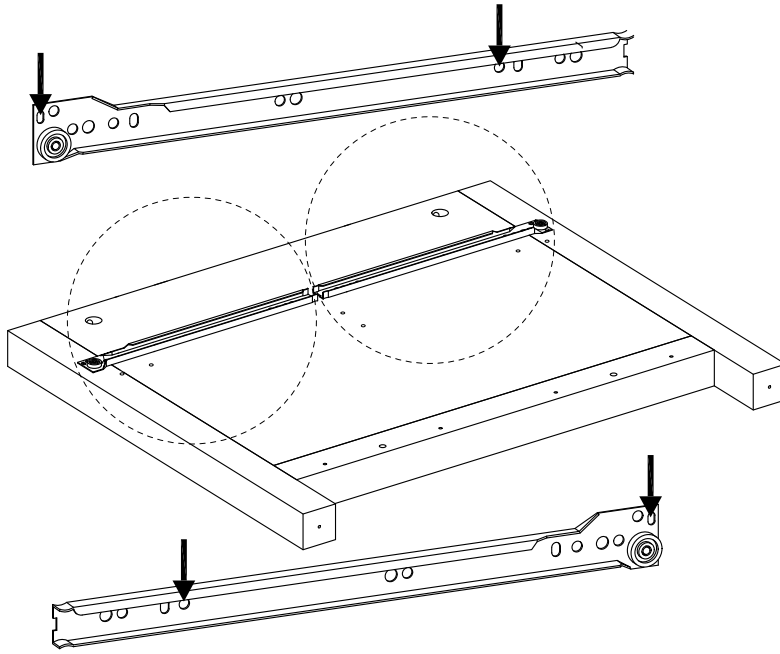
x 1

M

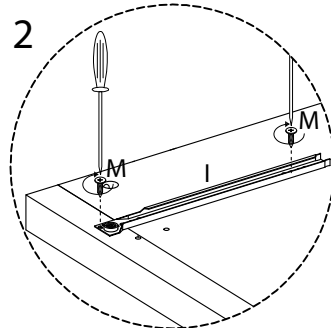


M3
x 12

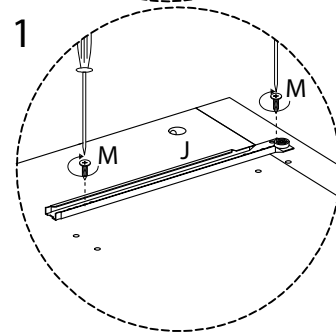
x 4



2



1

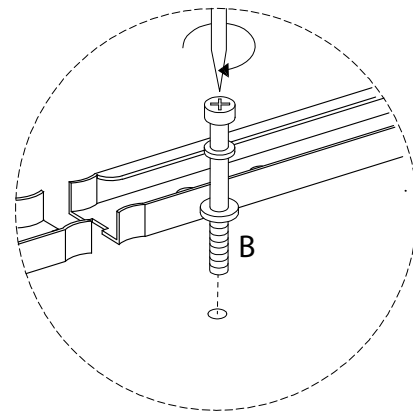
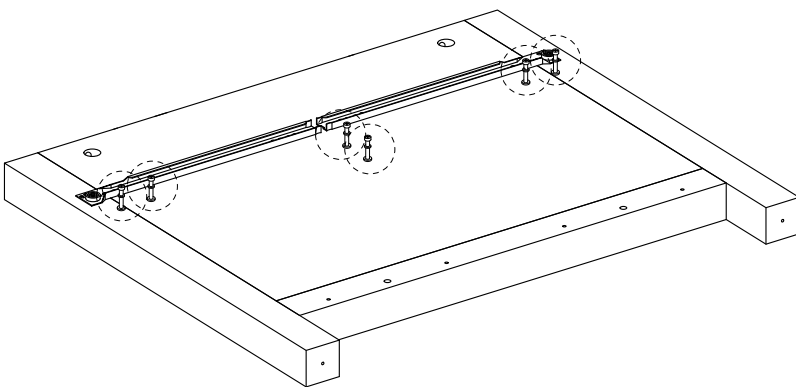


2 x 2

B

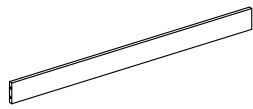


x 6



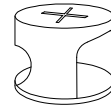
3

3

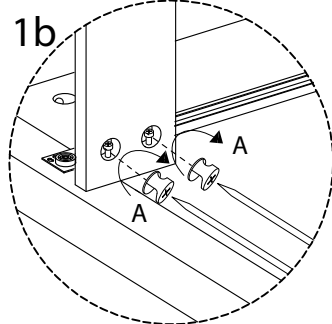
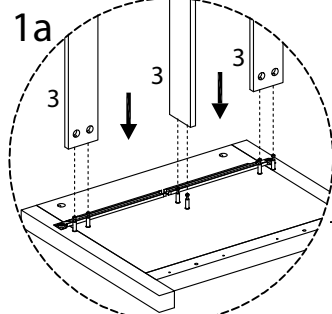
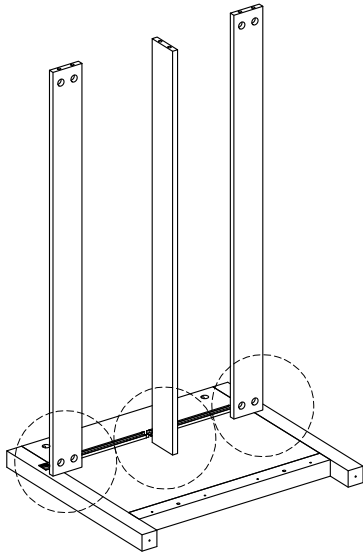


x 1

A

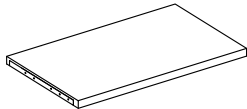


x 6



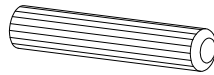
4

4



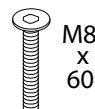
x 1

C



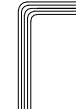
x 2

H

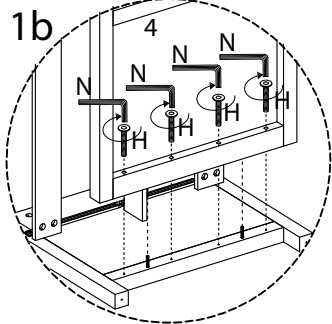
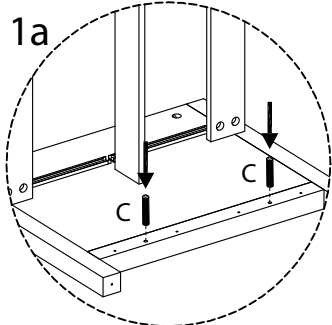
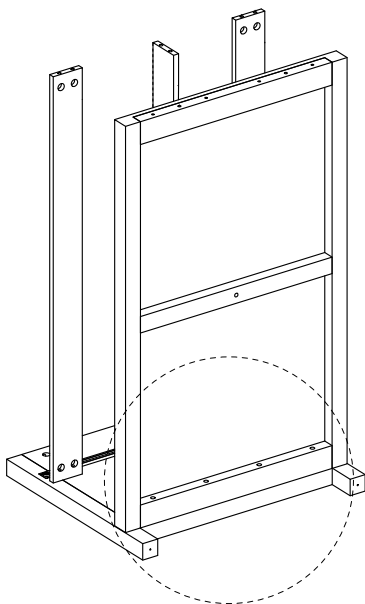


x 4

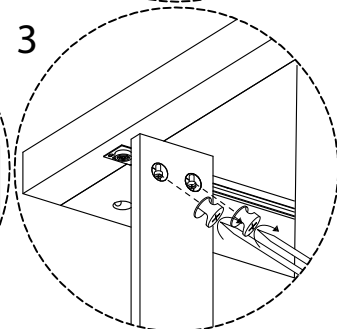
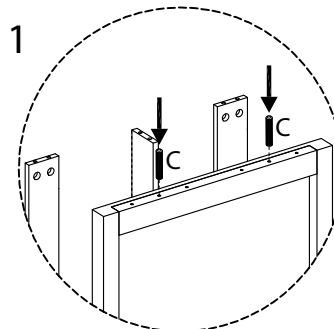
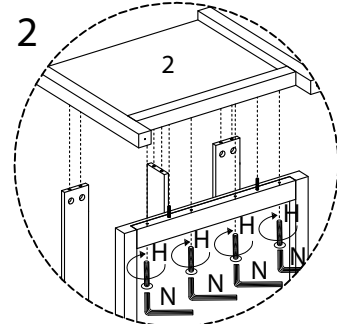
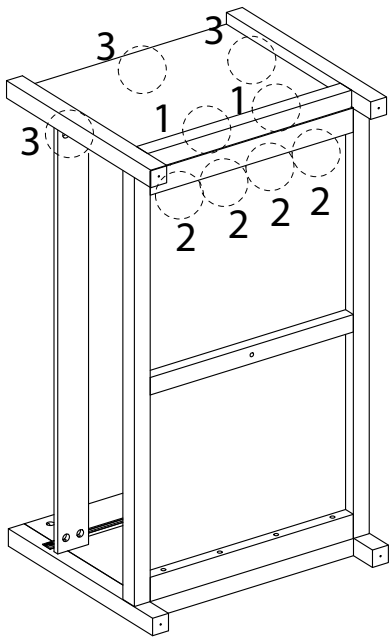
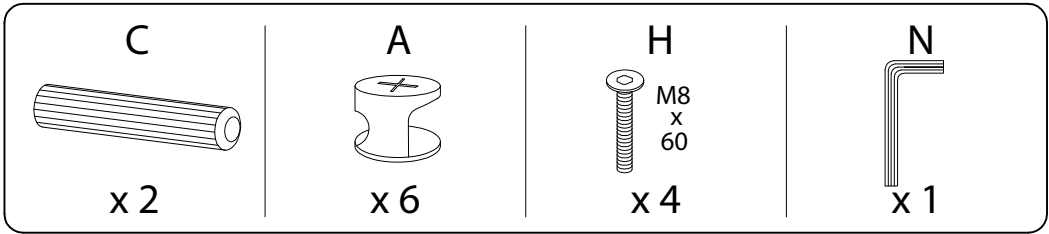
N



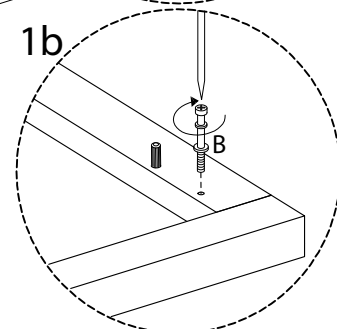
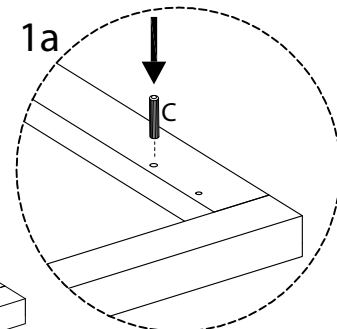
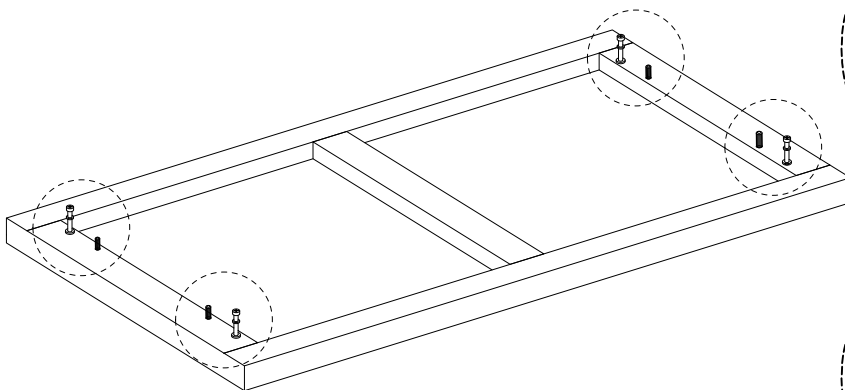
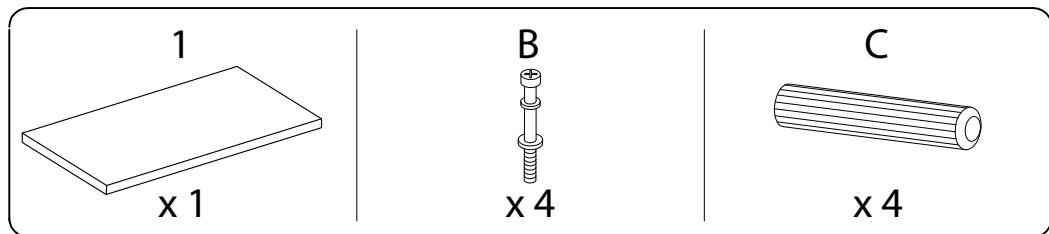
x 1



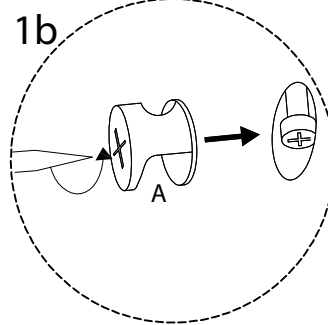
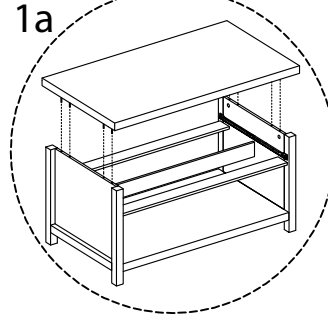
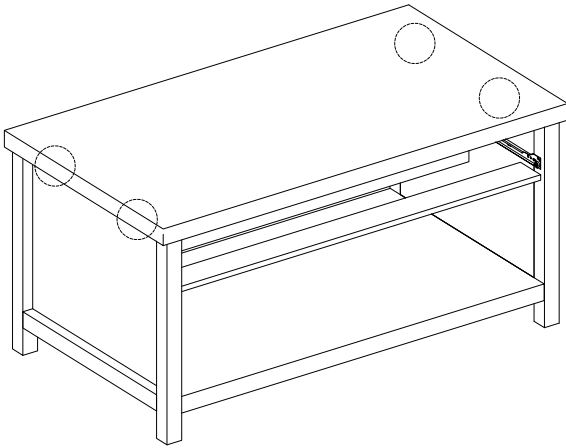
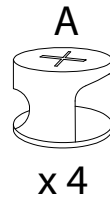
5



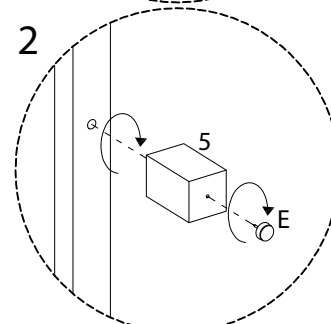
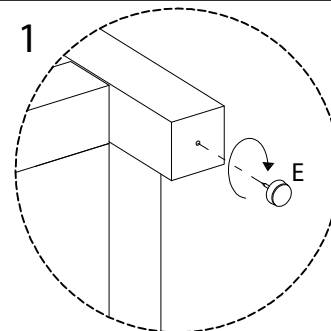
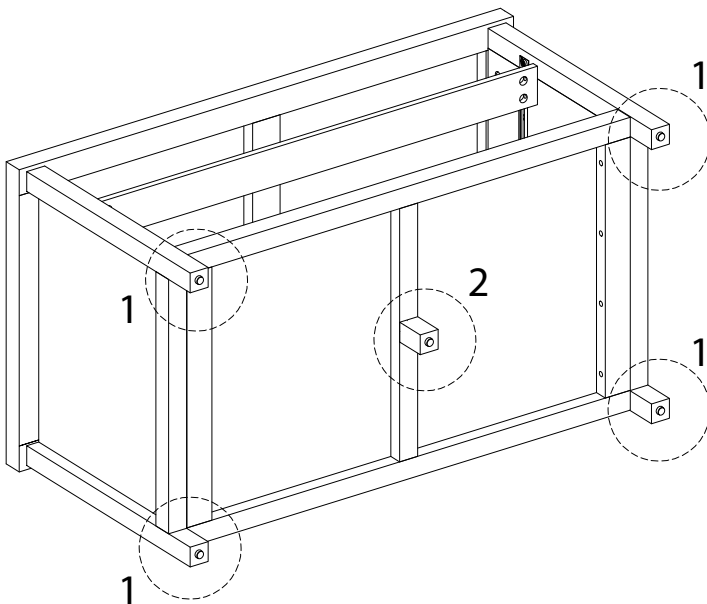
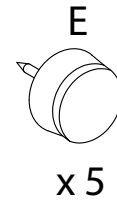
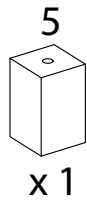
6



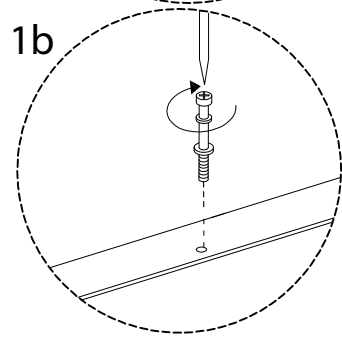
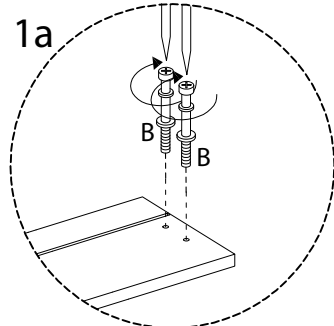
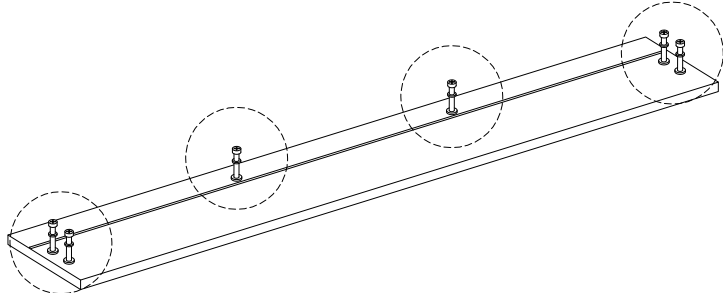
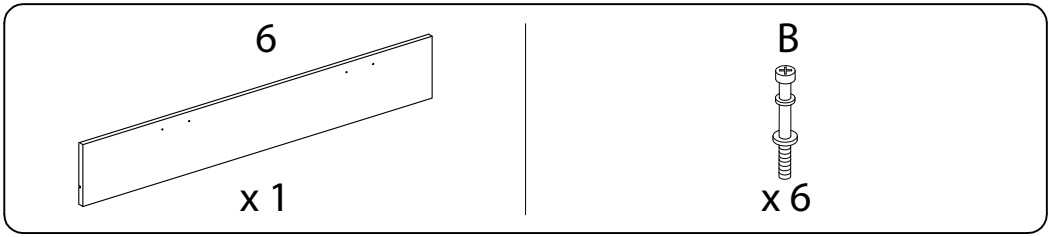
7



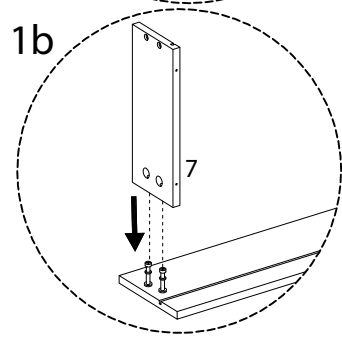
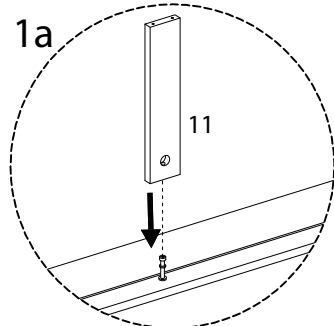
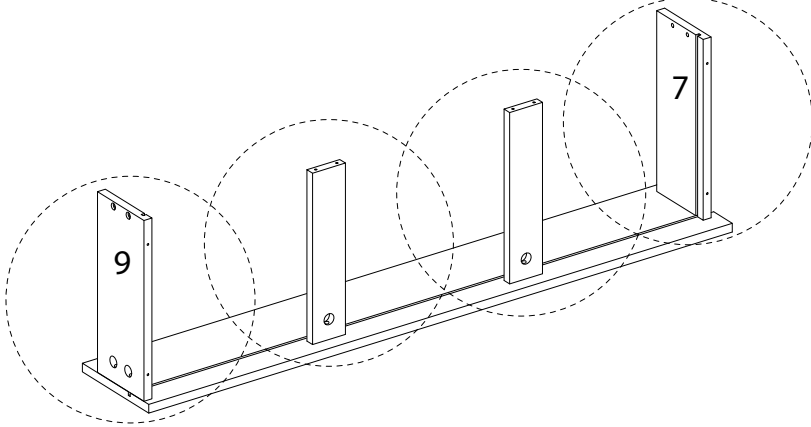
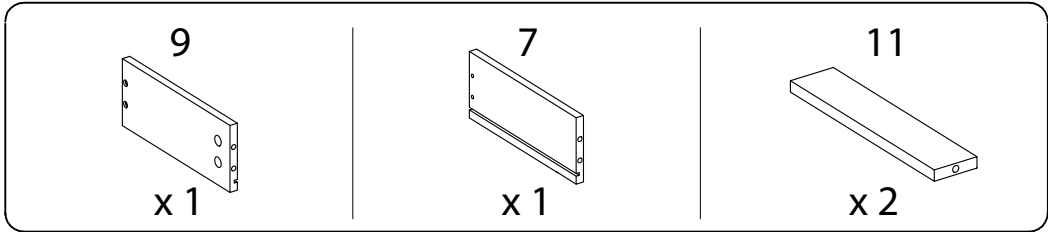
8



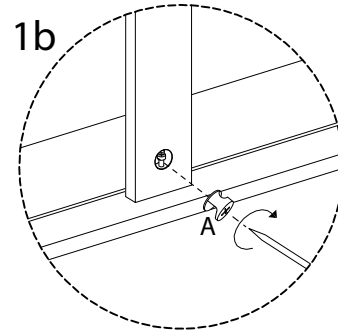
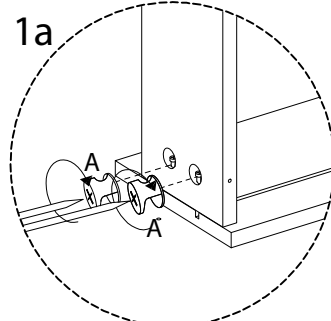
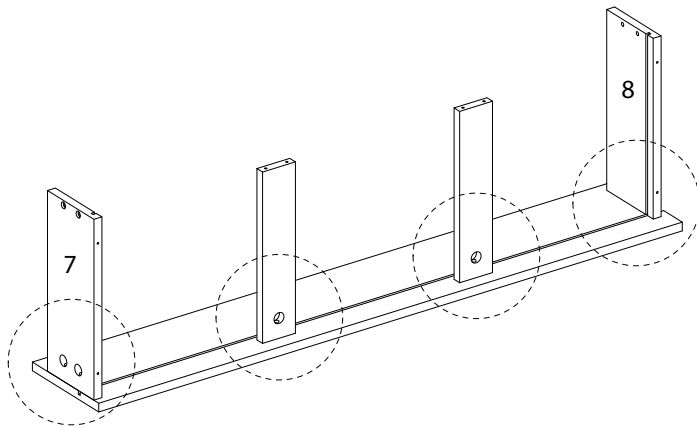
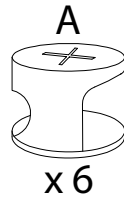
9 x 2



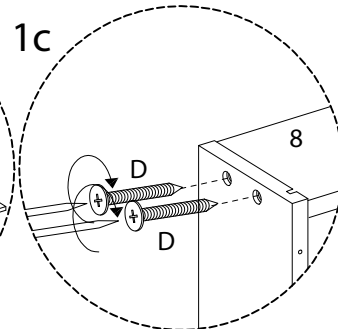
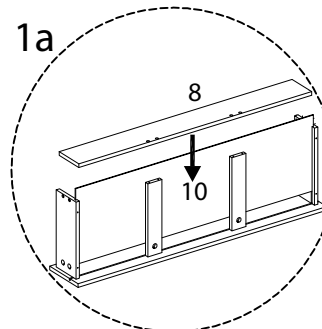
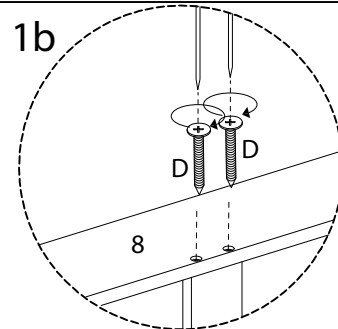
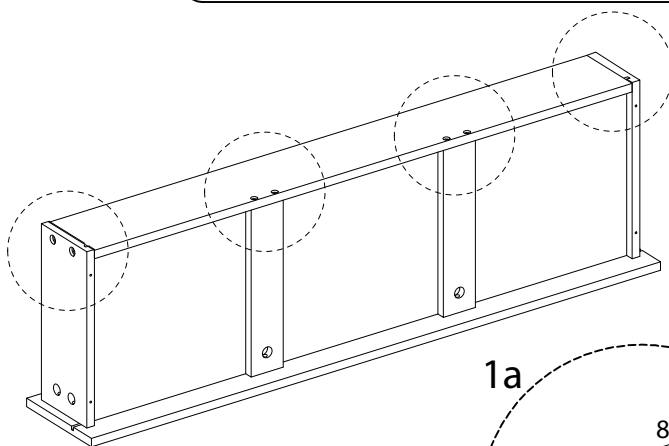
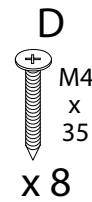
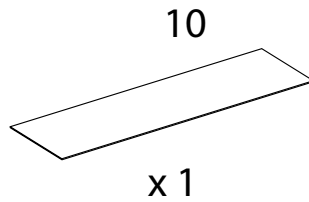
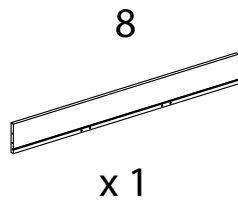
10 x 2



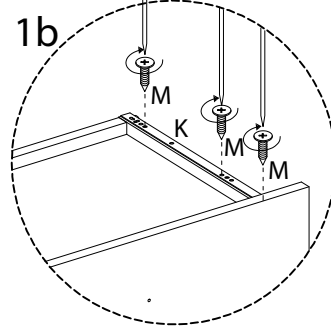
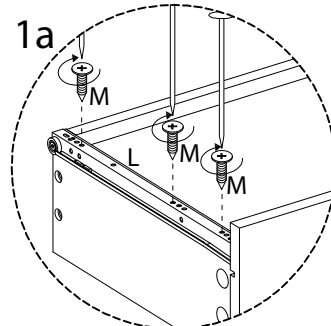
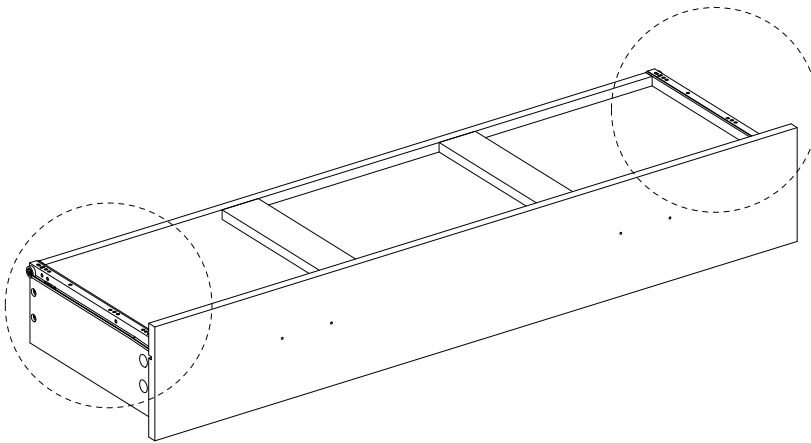
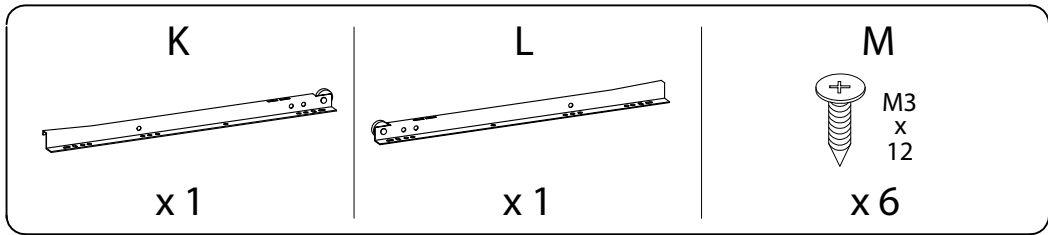
11 x2



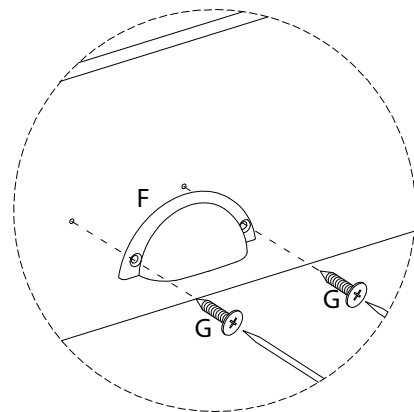
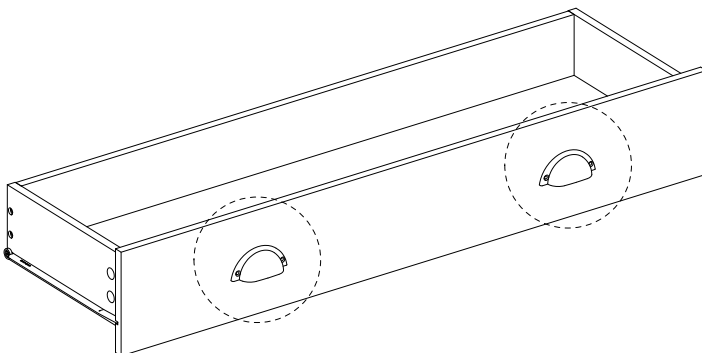
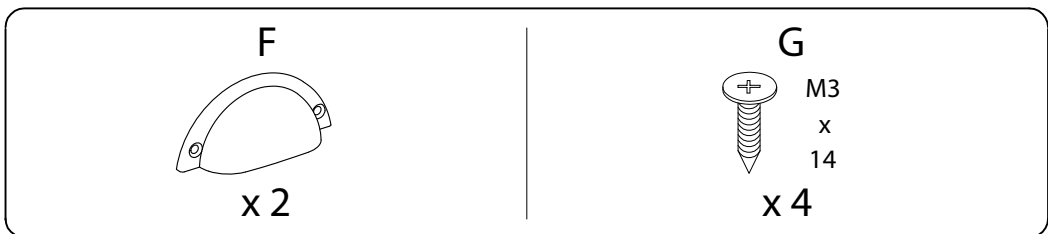
12 x2



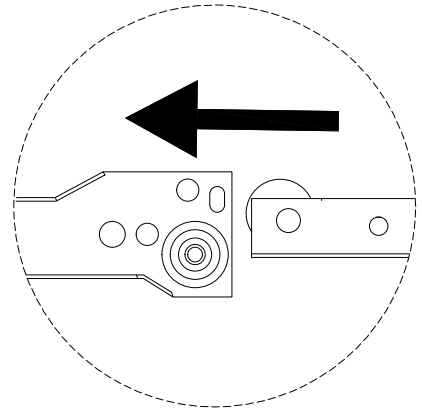
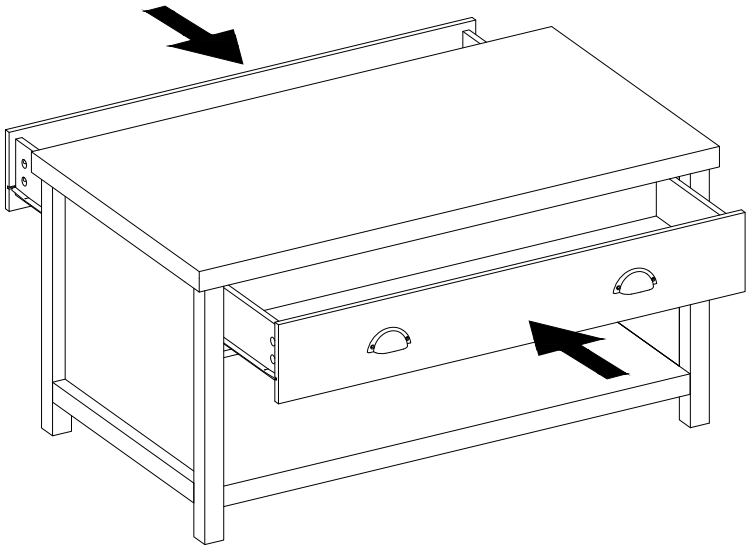
13 x2



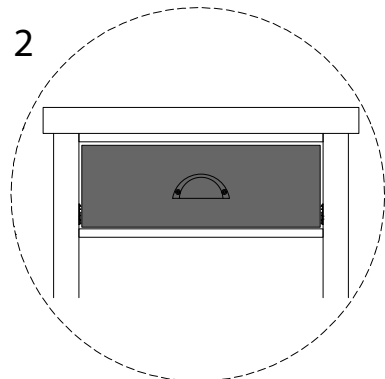
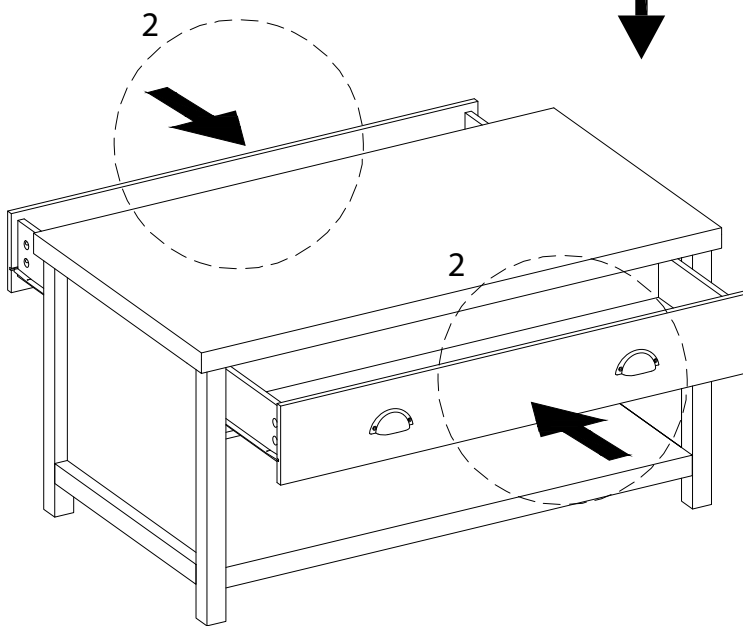
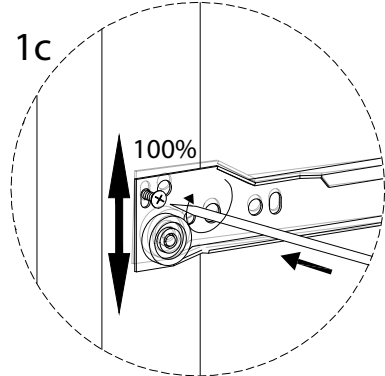
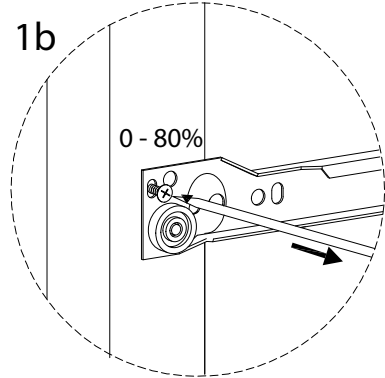
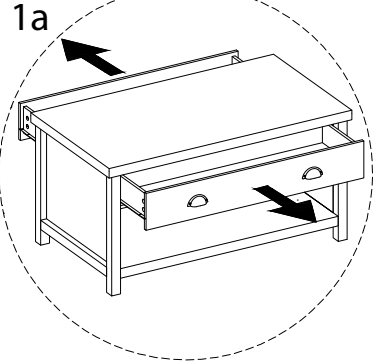
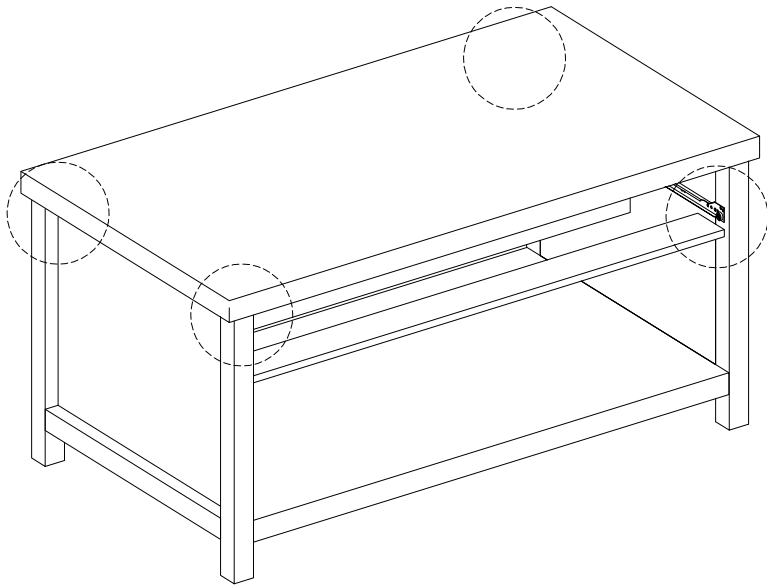
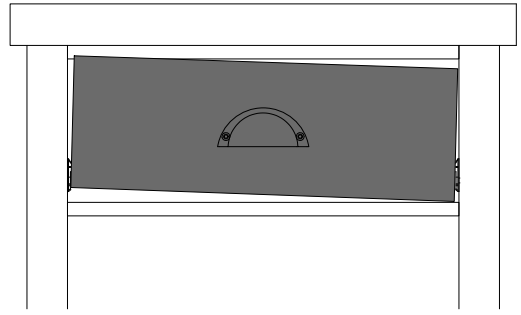
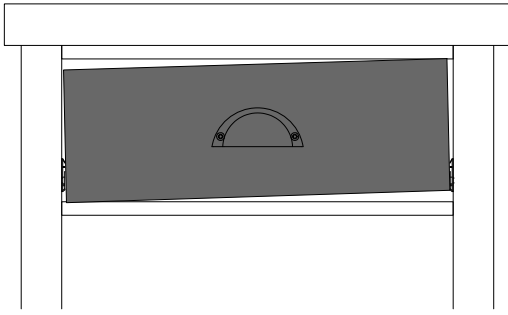
14 x2



15



!



16

