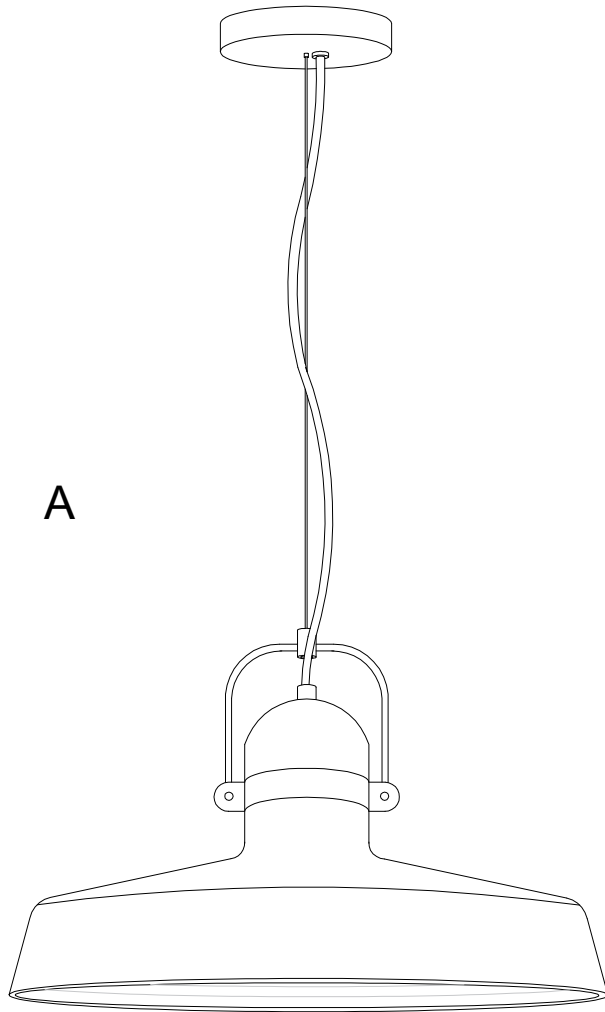
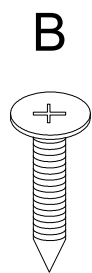




x 1



A

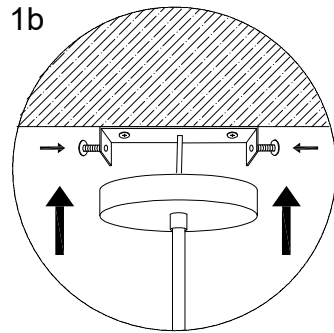
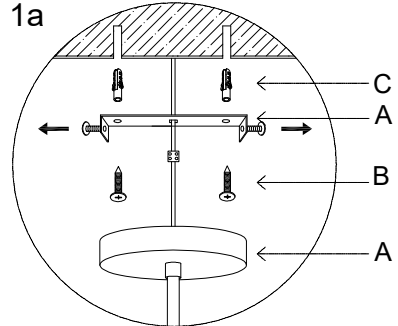
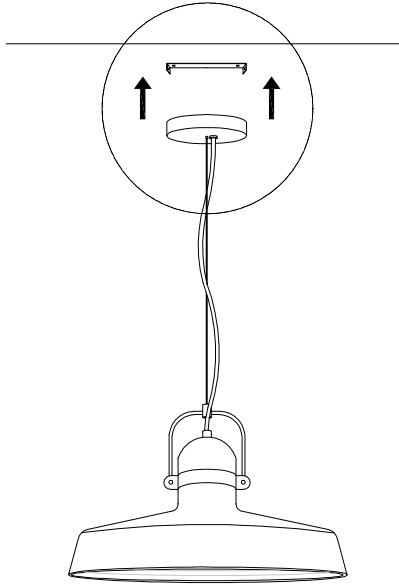
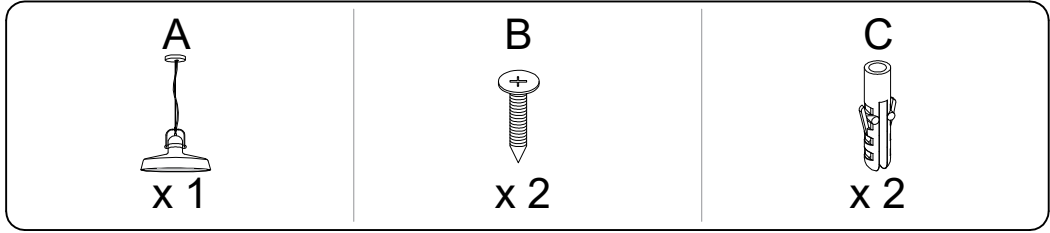


x 2



x 2

1



2

