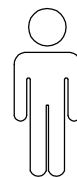
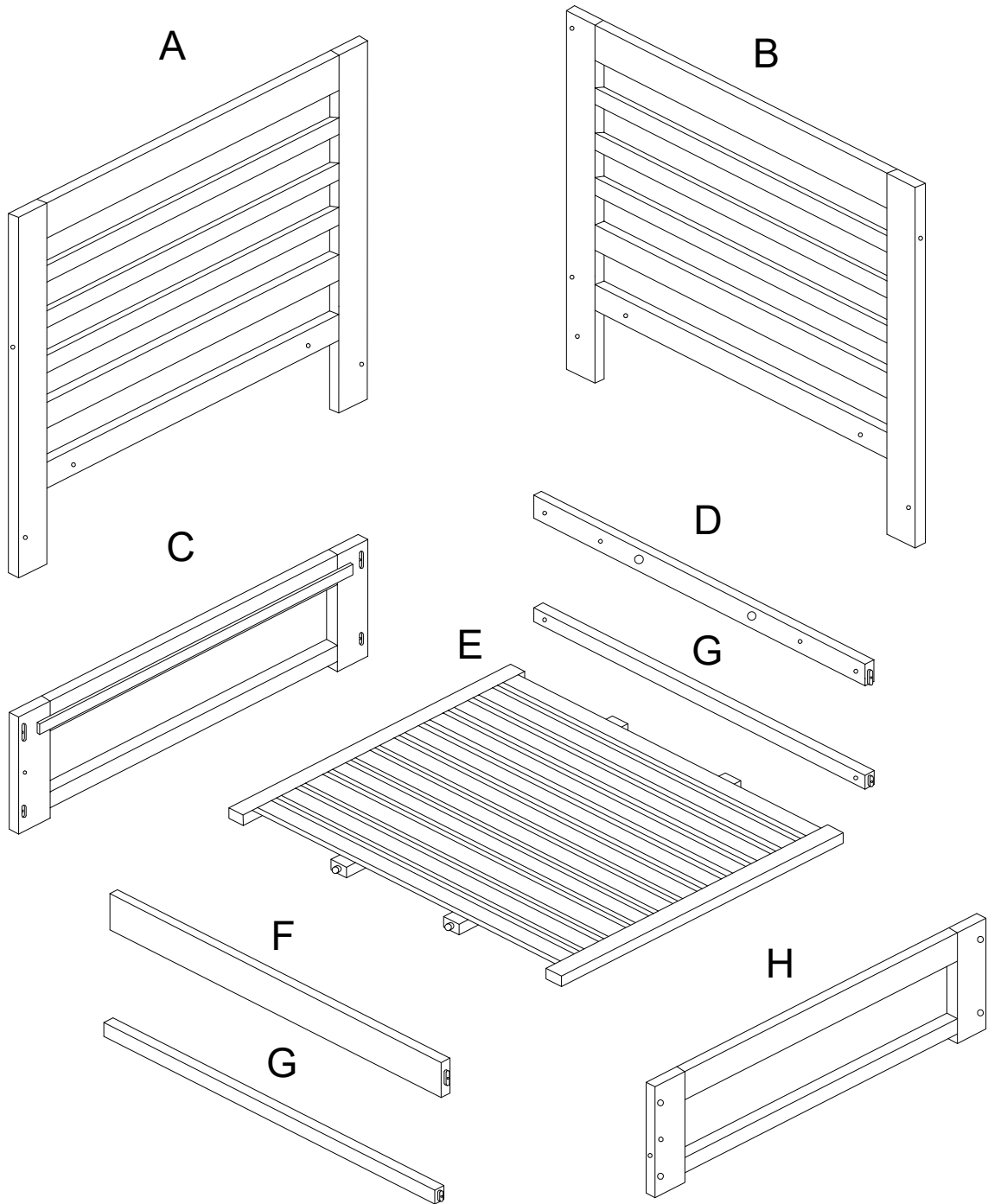
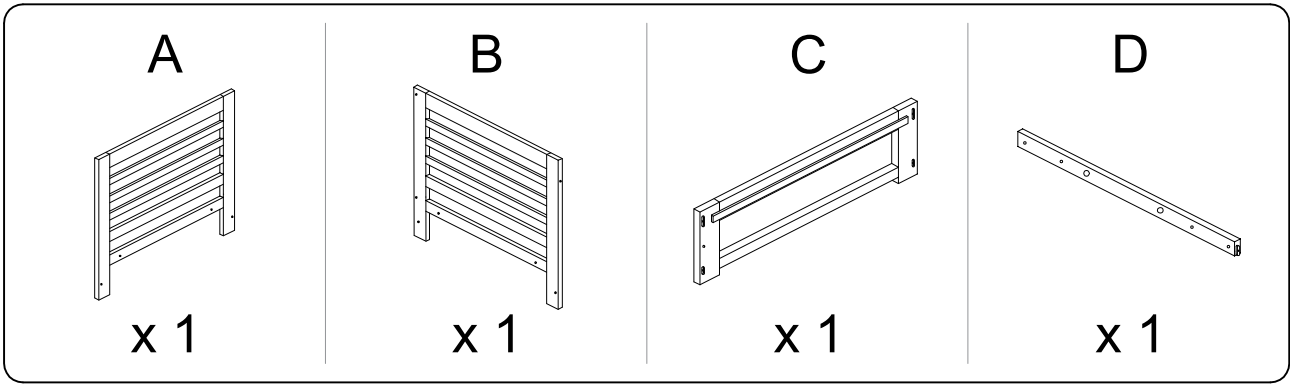


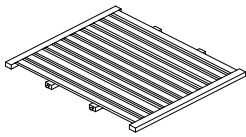
30'



2

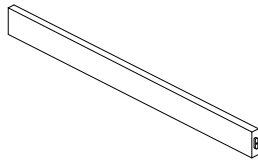


E



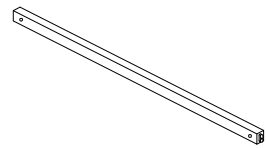
x 1

F



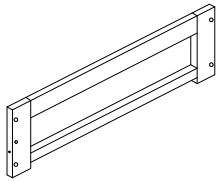
x 1

G



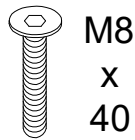
x 2

H



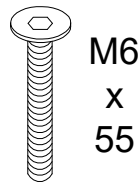
x 1

I



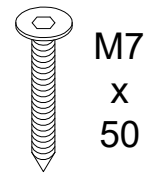
x 4

J



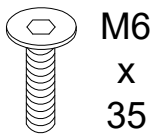
x 8

K



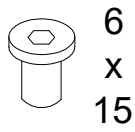
x 4

L



x 2

M



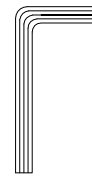
x 2

N



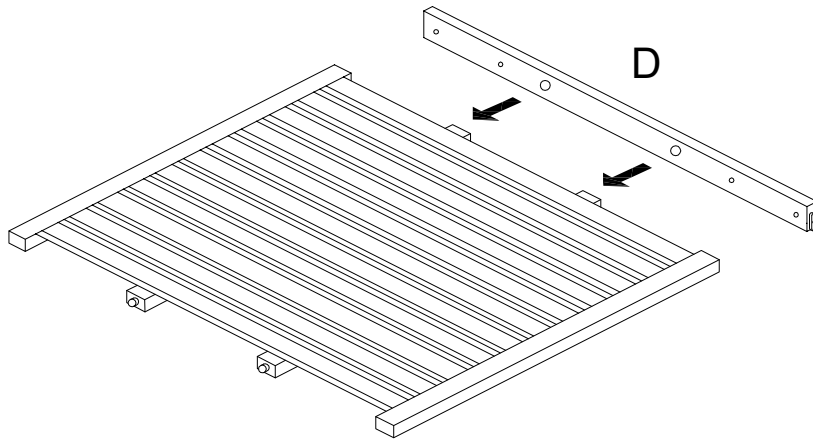
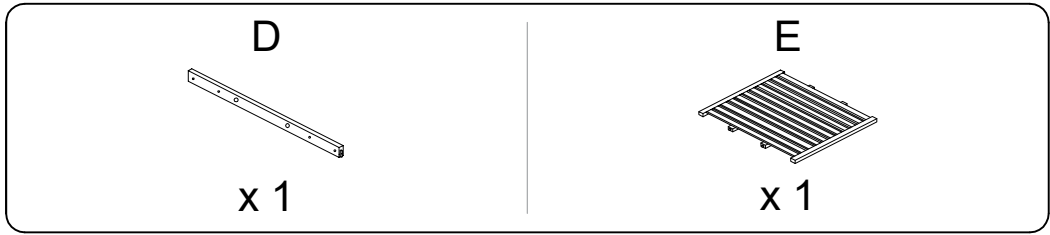
x 8

O

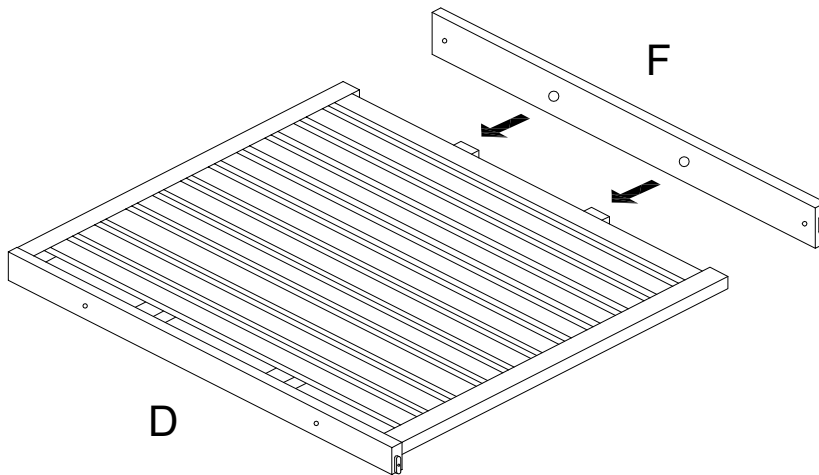
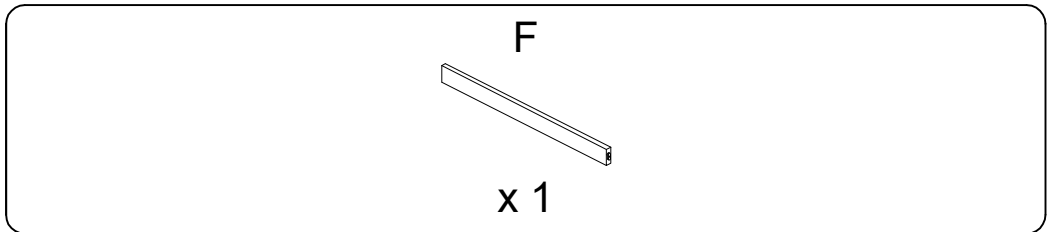


x 2

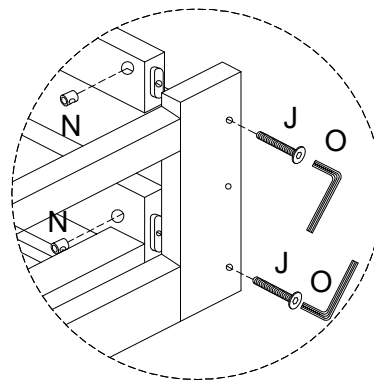
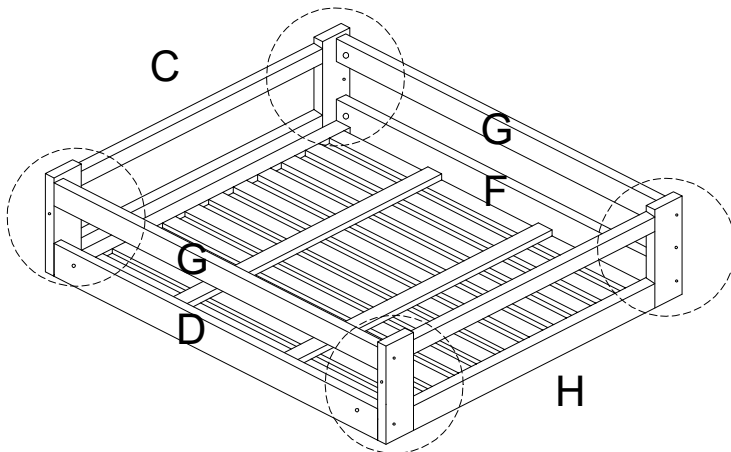
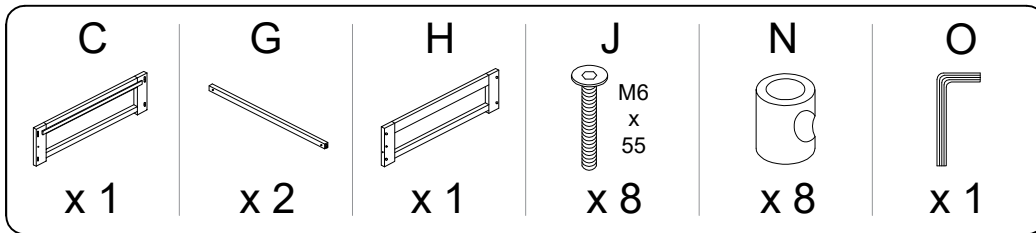
1



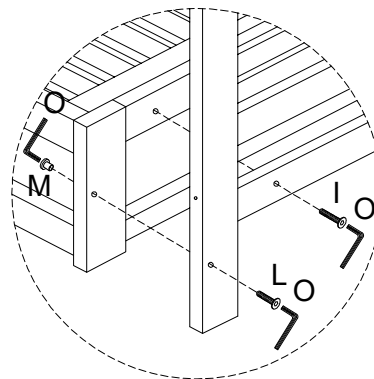
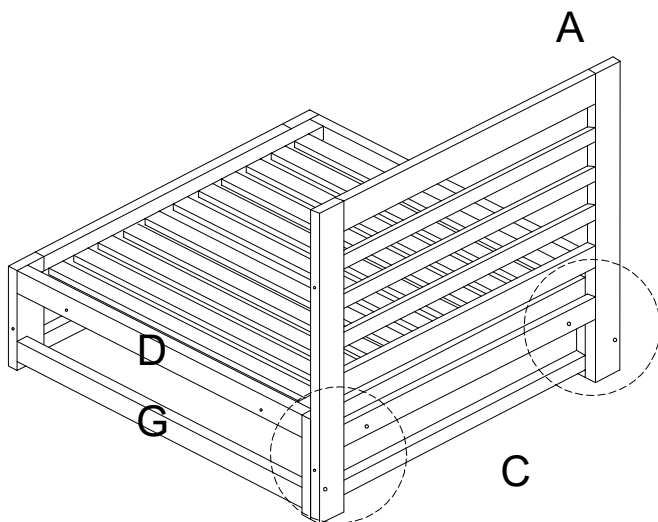
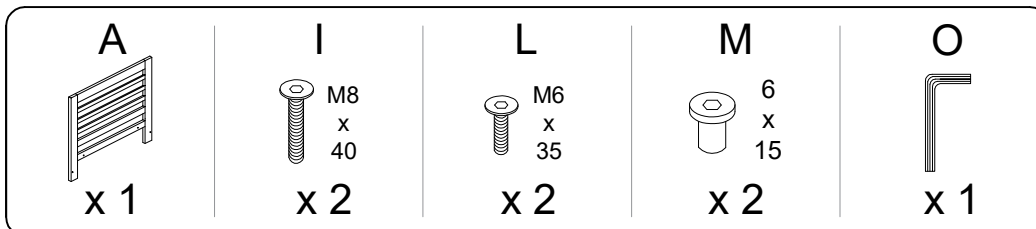
2



3



4



5

