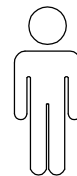
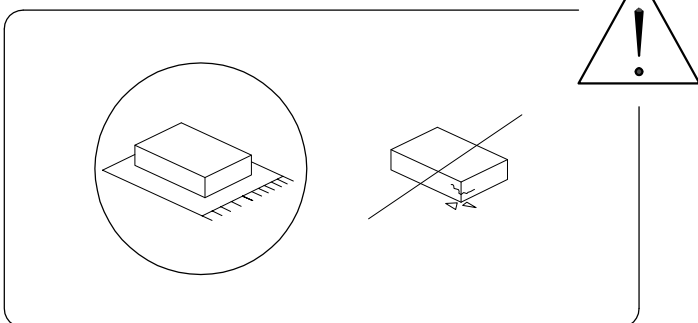
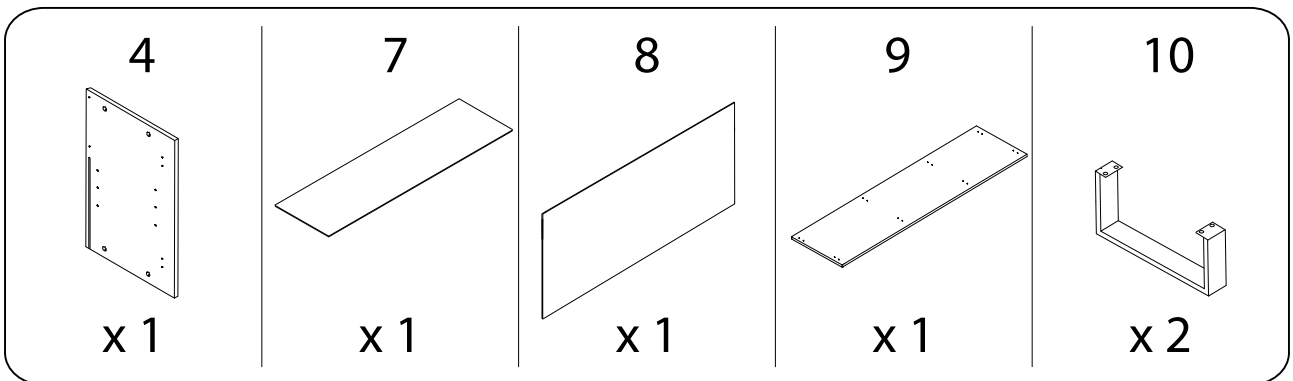
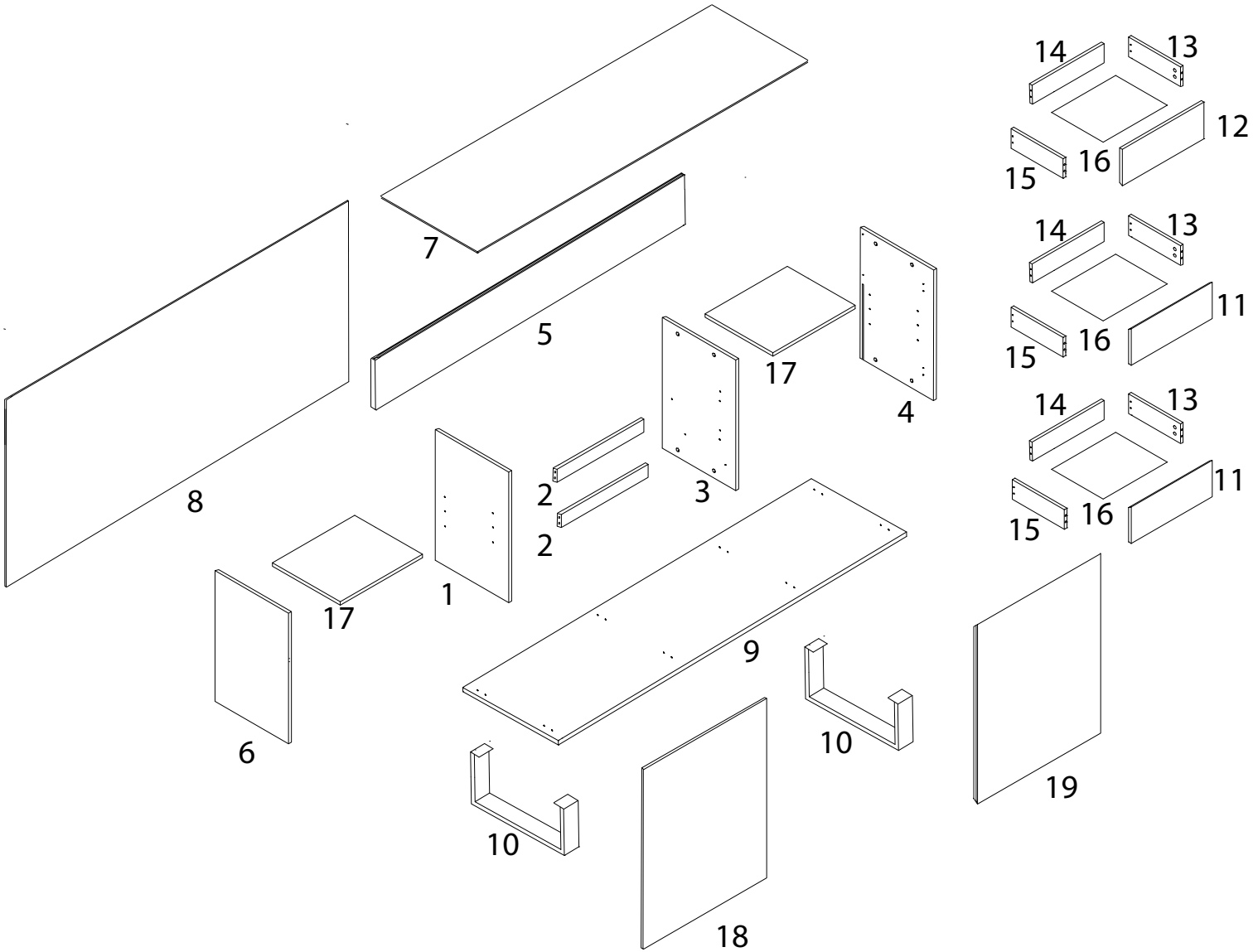
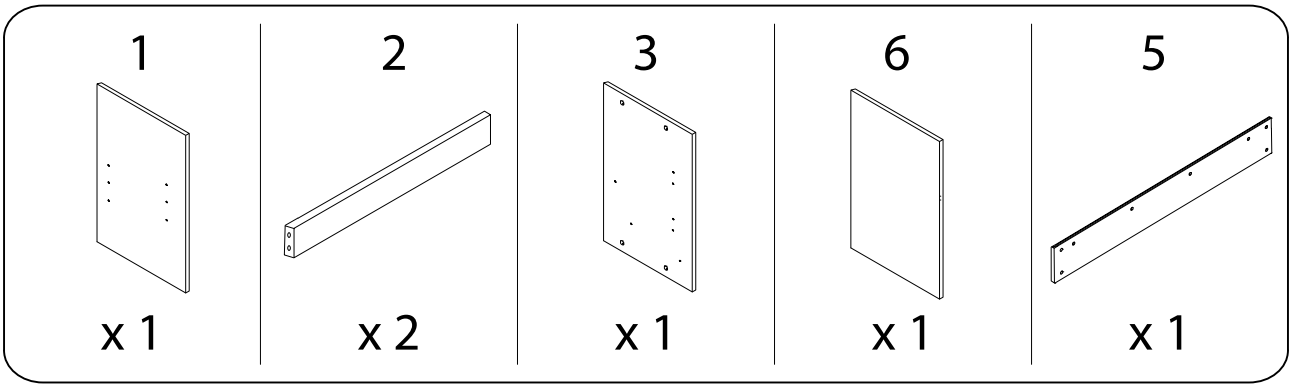


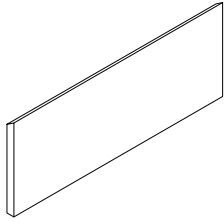
90'



1

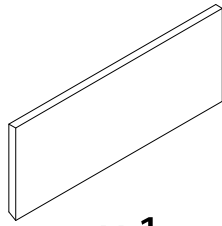


11



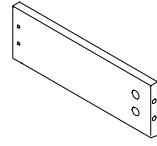
x 2

12



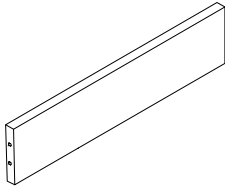
x 1

13



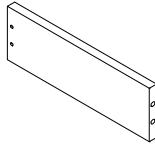
x 3

14



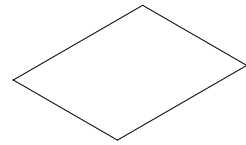
x 3

15



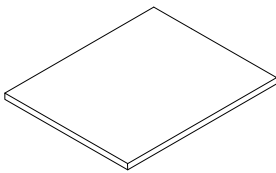
x 3

16



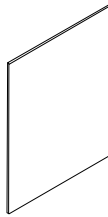
x 3

17



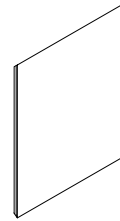
x 2

18



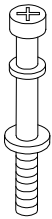
x 1

19



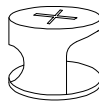
x 1

A1



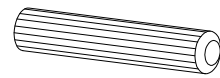
x 44

A2



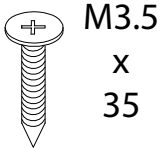
x 44

B



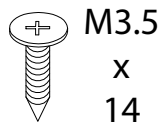
x 16

C



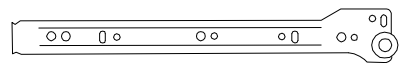
x 12

D



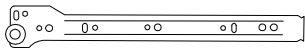
x 24

E1



x 3

E2



x 3

E3



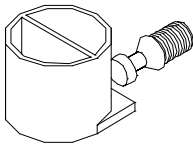
x 3

E4



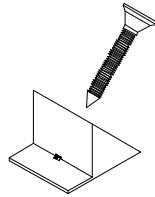
x 3

F



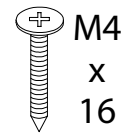
x 8

G



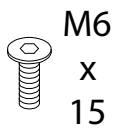
x 6

H



x 24

I



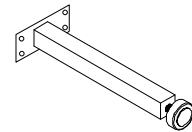
x 8

J



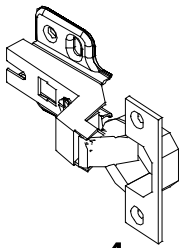
x 30

K



x 1

L



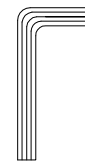
x 4

M



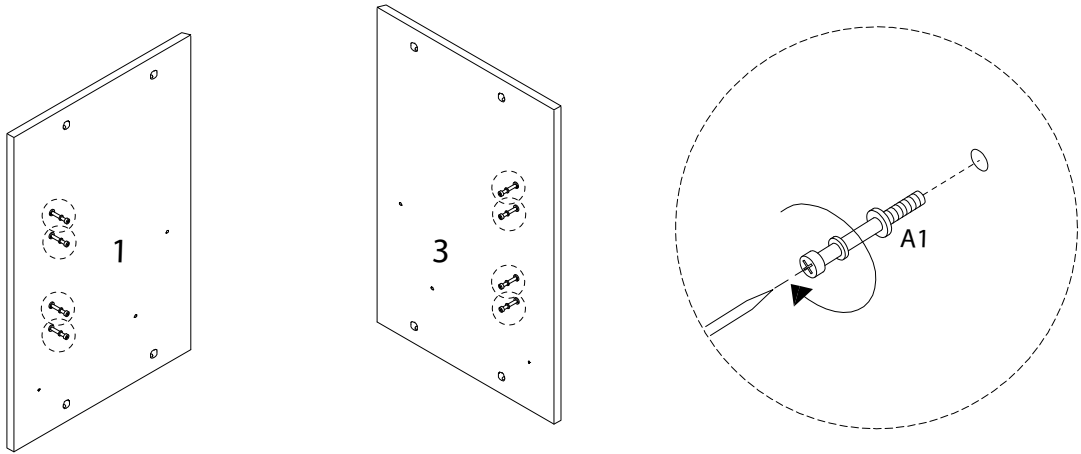
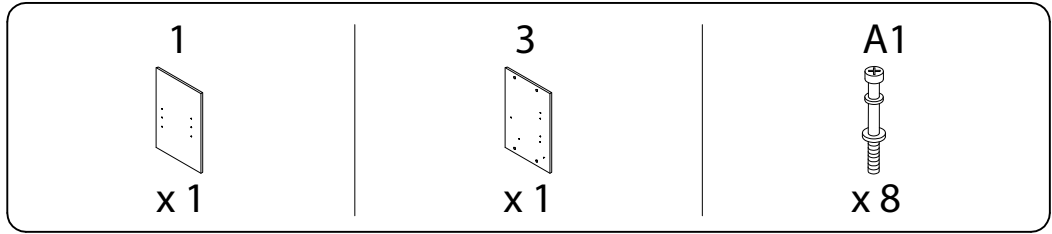
x 4

N

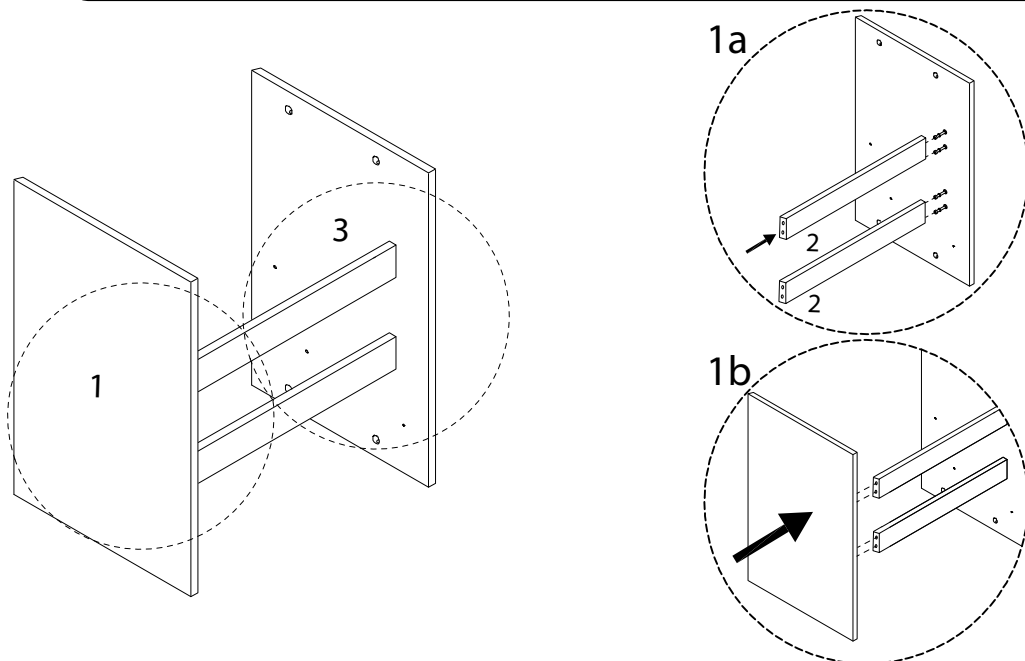
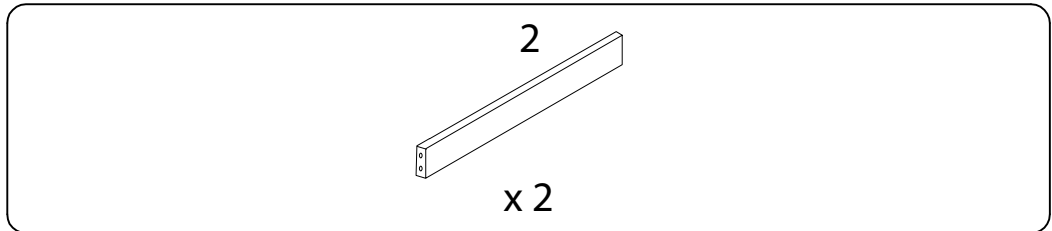


x 1

1



2

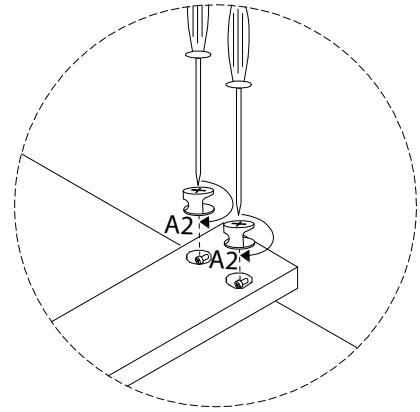
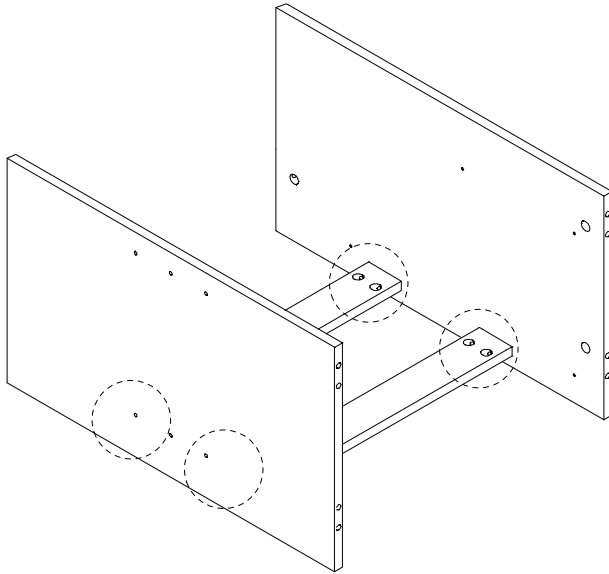


3

A2

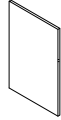


x 8



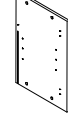
4

6



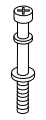
x 1

4

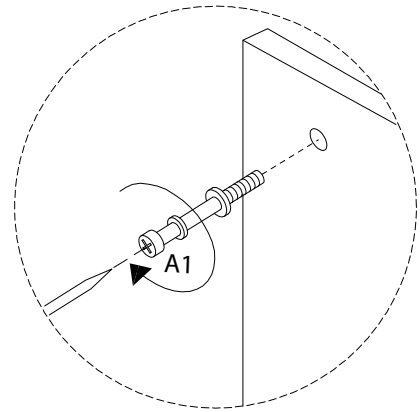
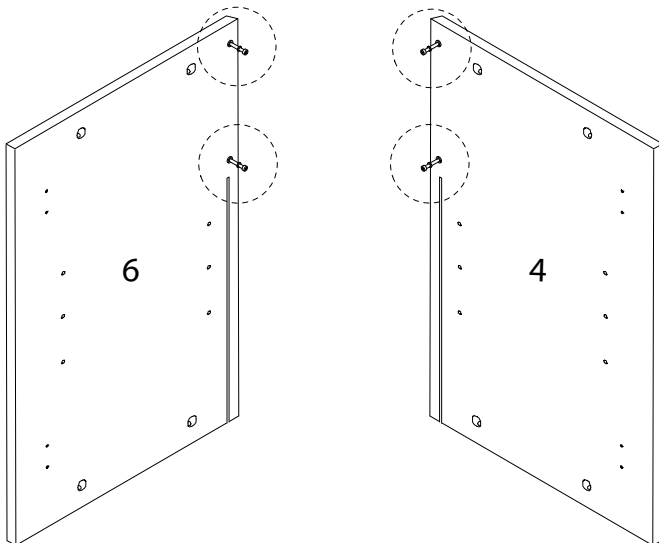


x 1

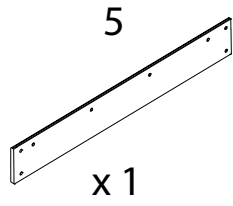
A1



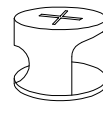
x 4



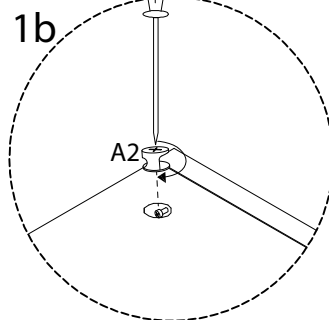
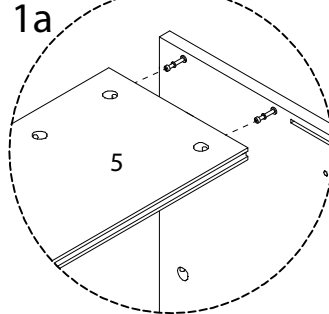
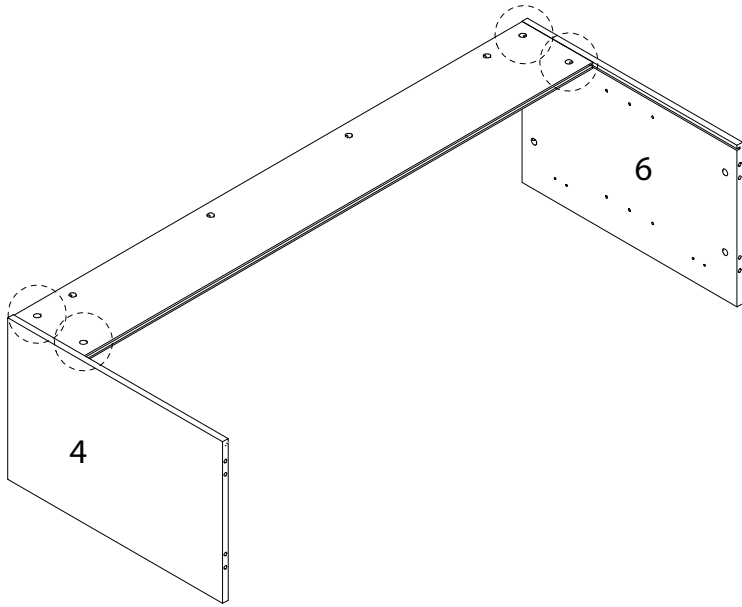
5



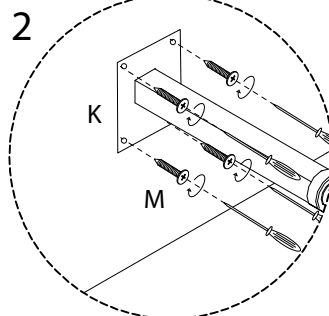
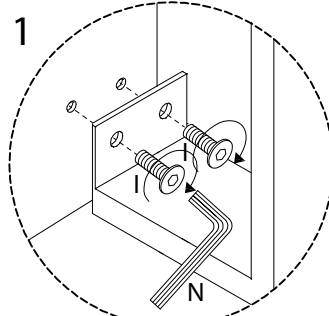
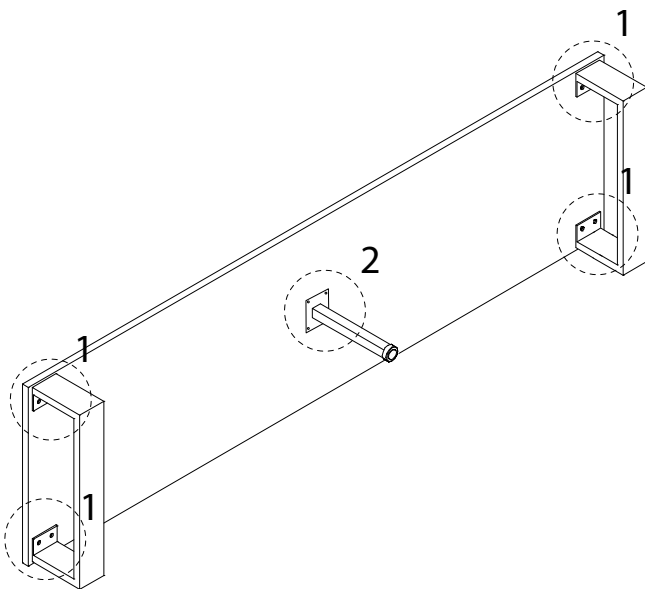
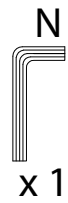
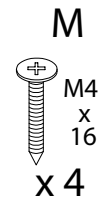
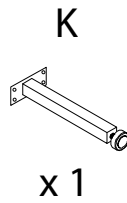
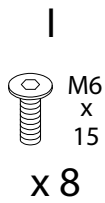
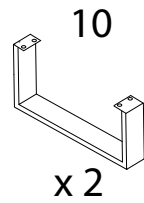
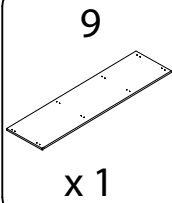
A2



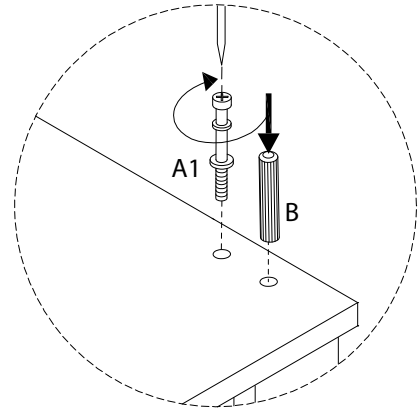
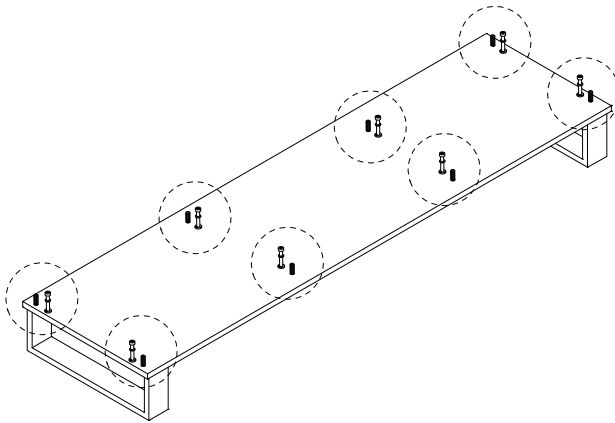
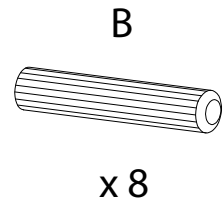
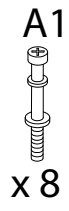
x4



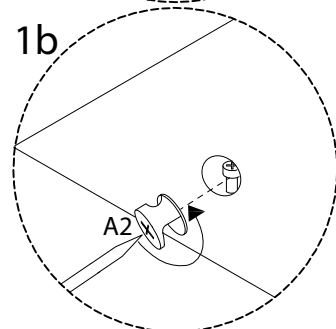
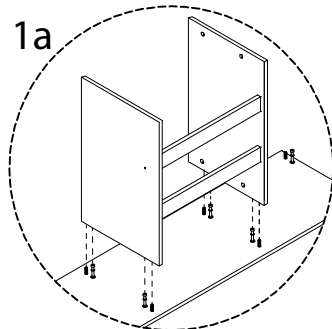
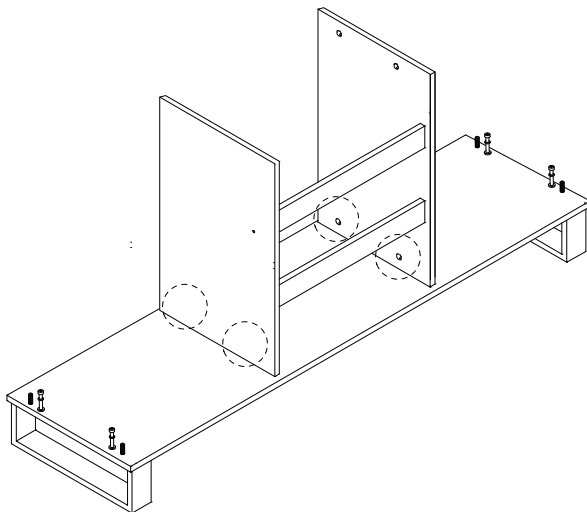
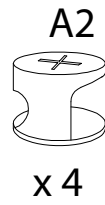
6



7



8

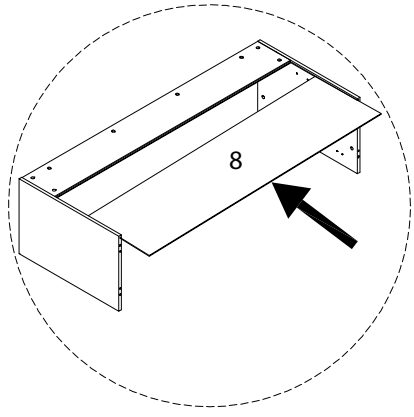
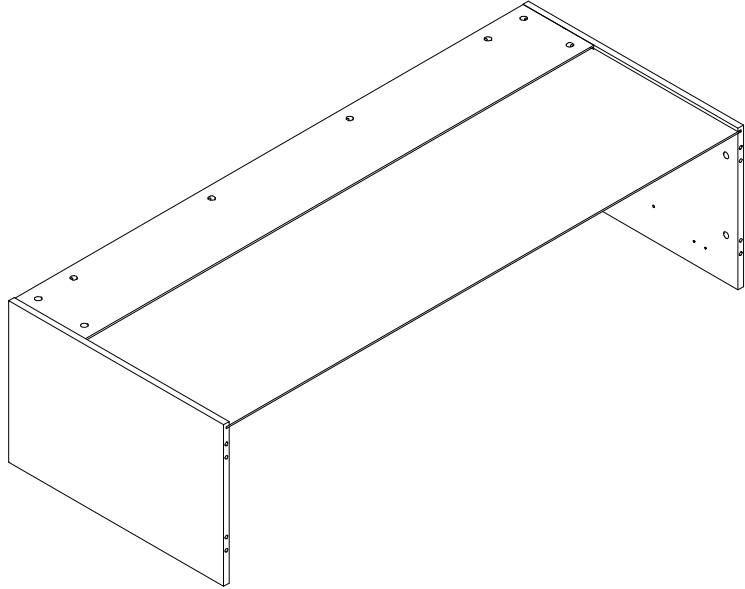




9

8

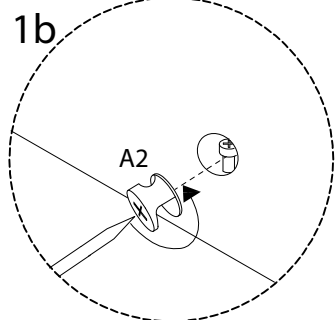
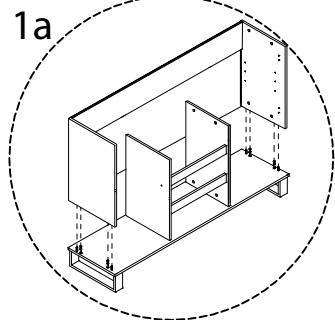
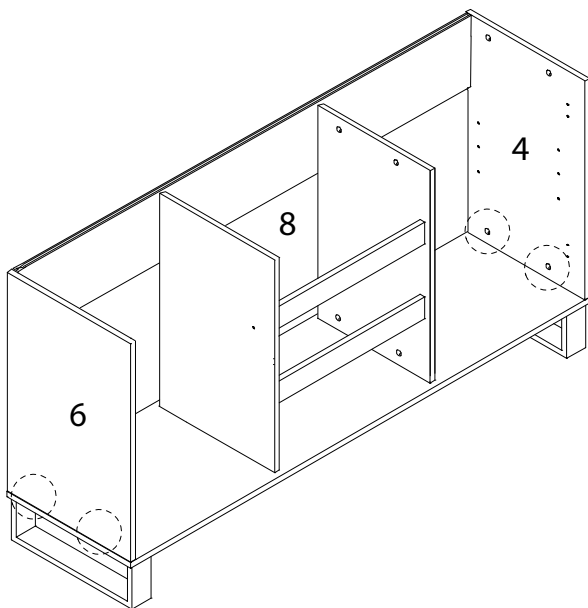
x 1



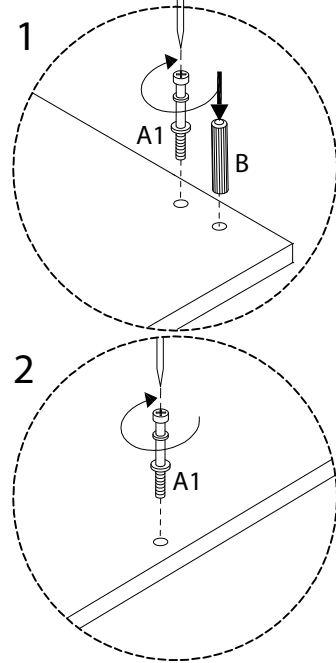
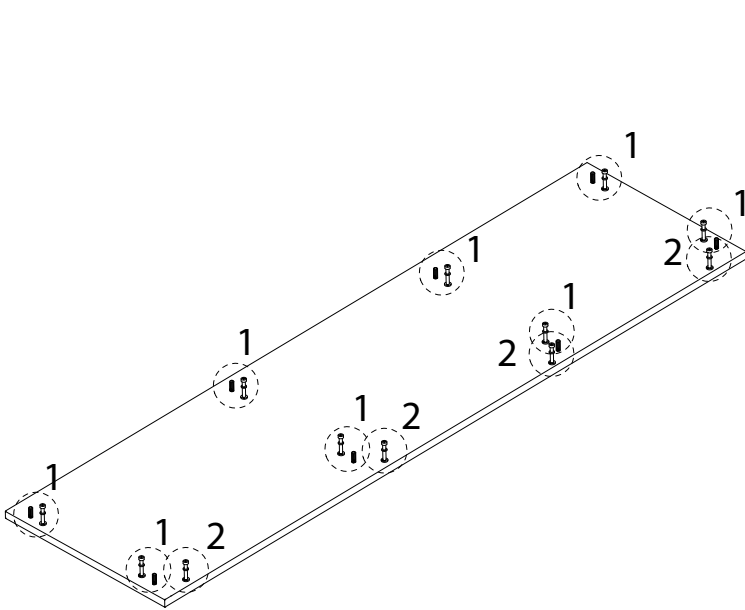
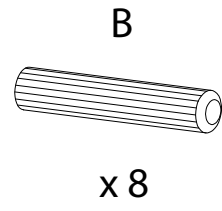
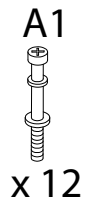
10

A2

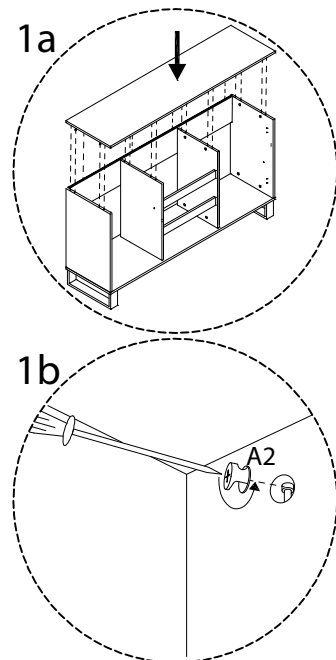
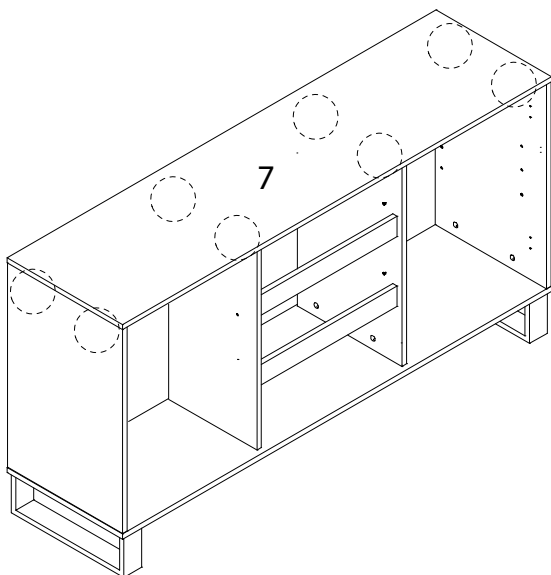
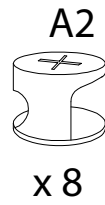
x 4



11



12

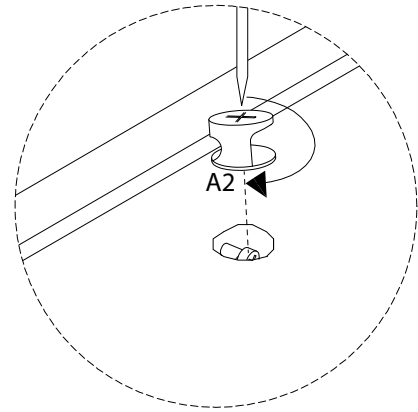
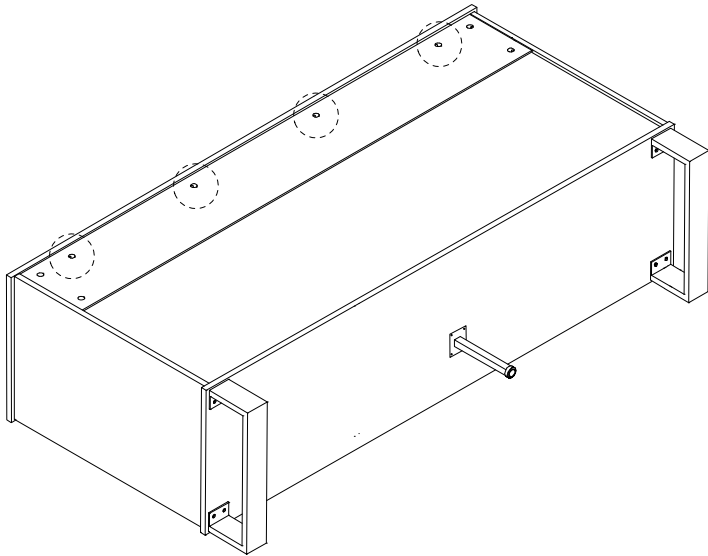


13

A2

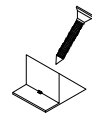


x 4

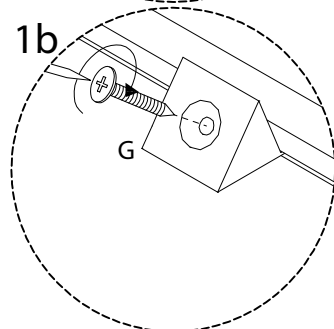
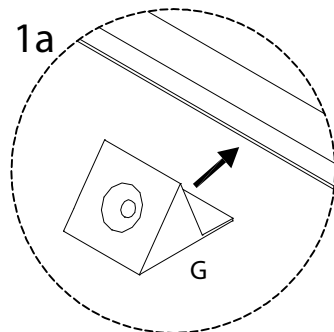
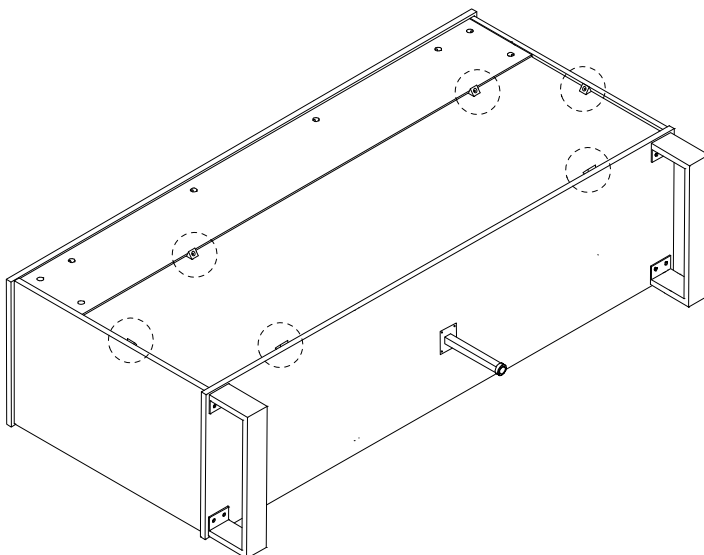


14

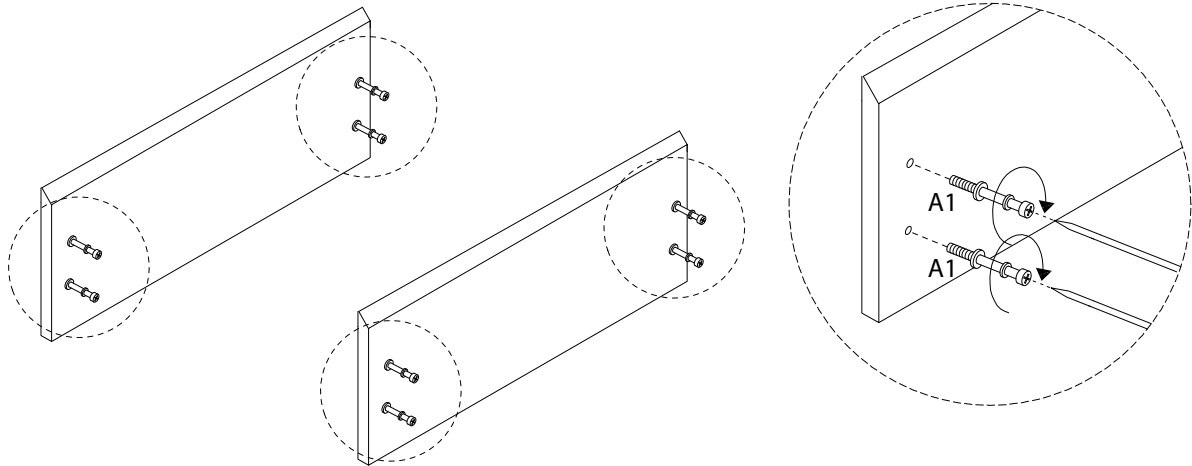
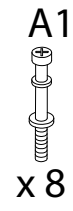
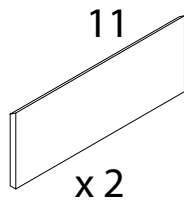
G



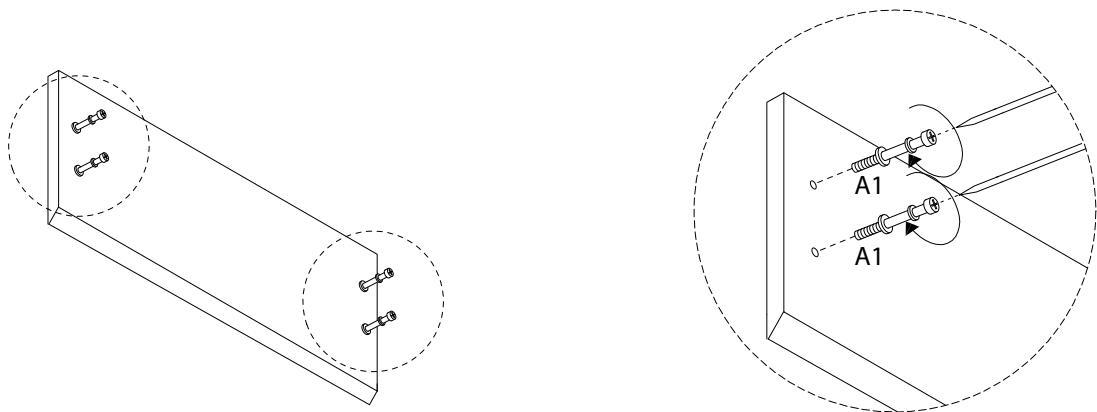
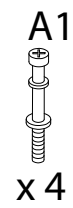
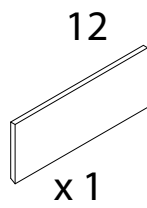
x 6



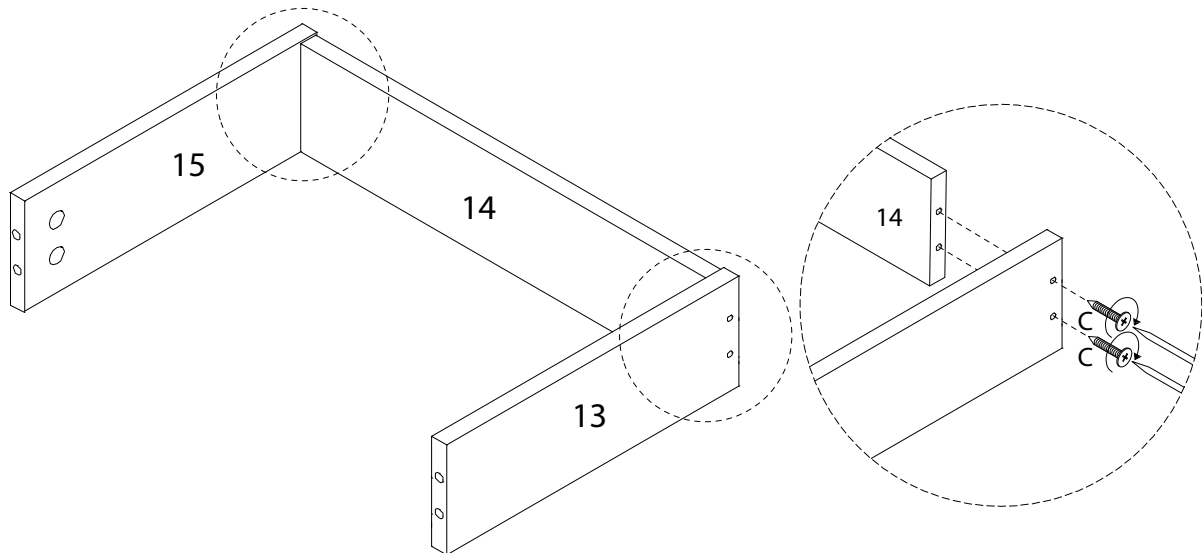
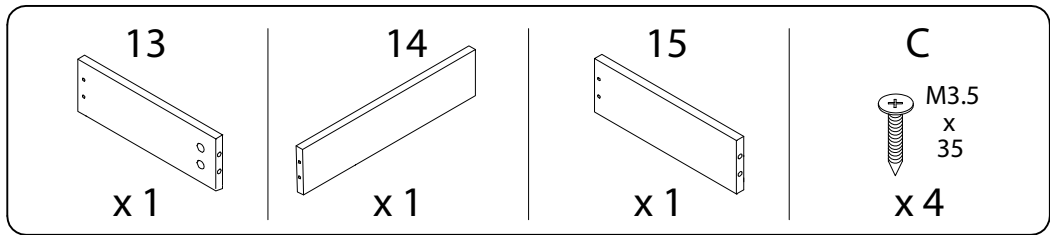
15



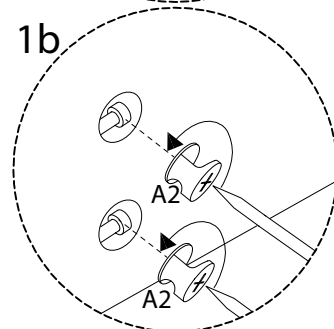
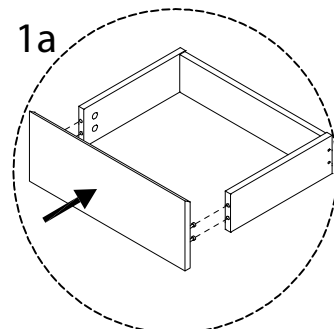
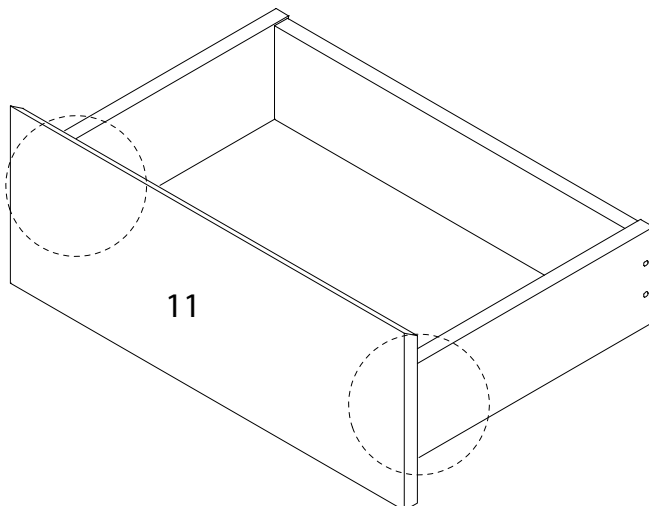
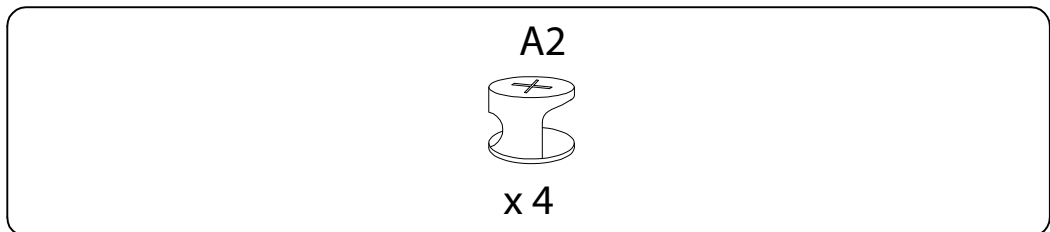
16



17 x3

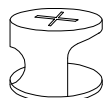


18 x2

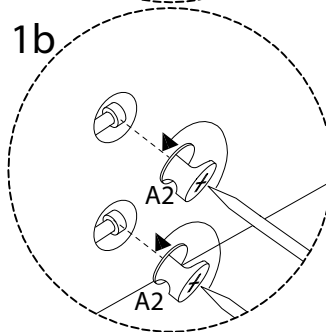
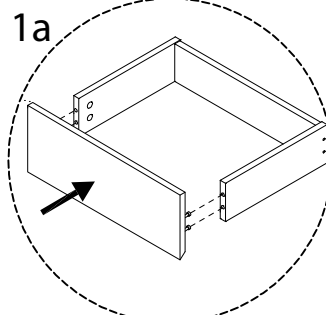
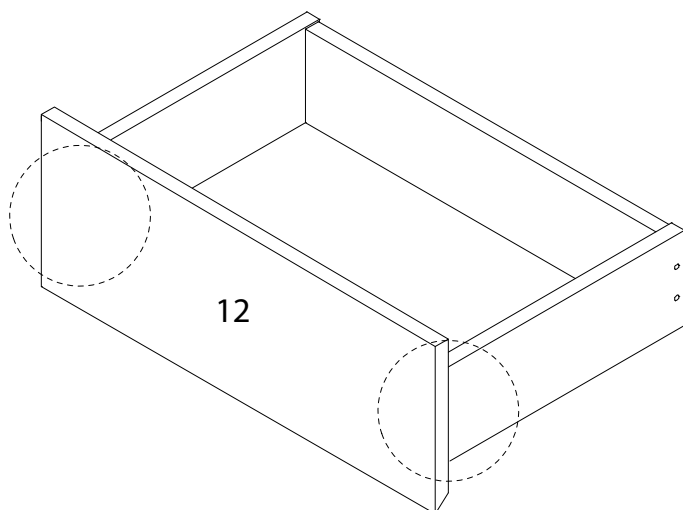


19

A2

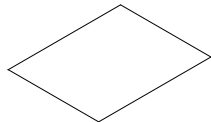


x 4



20 x 2

16

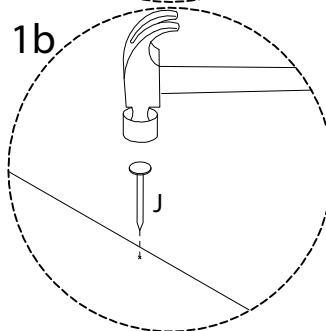
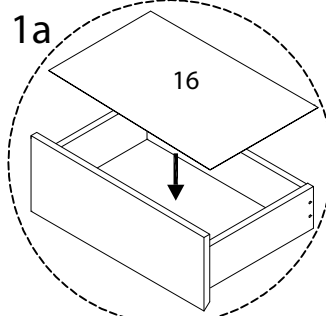
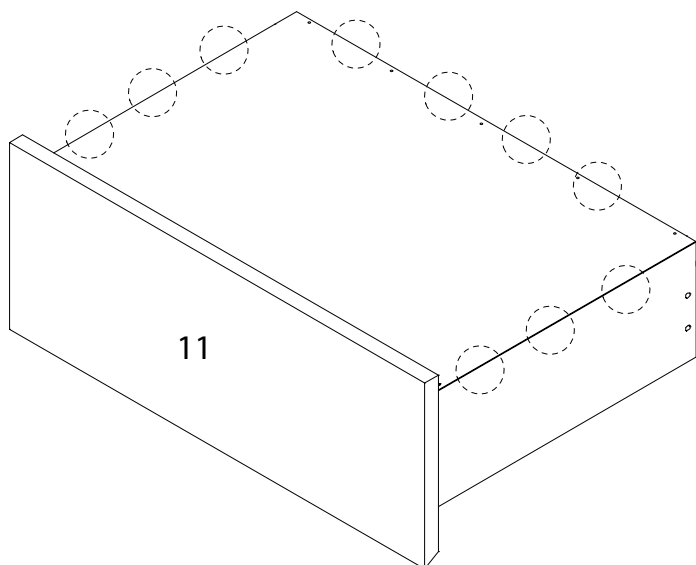


x 1

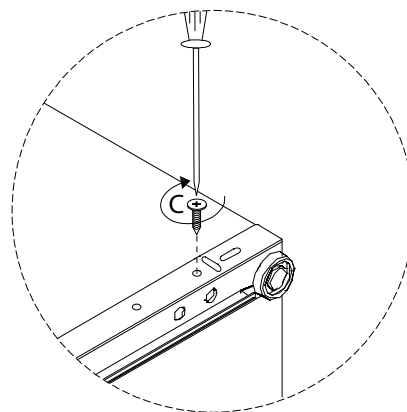
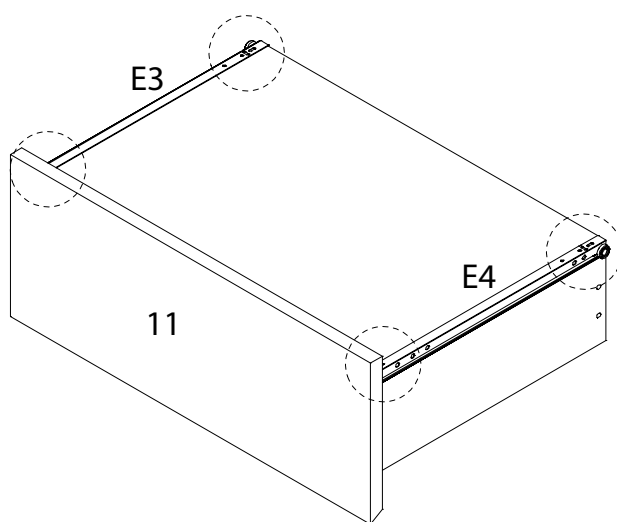
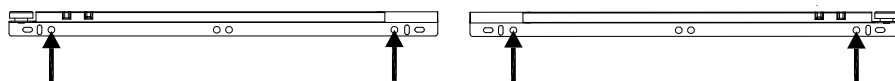
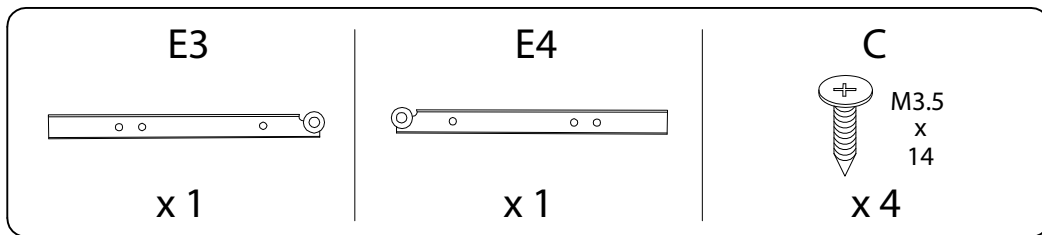
J



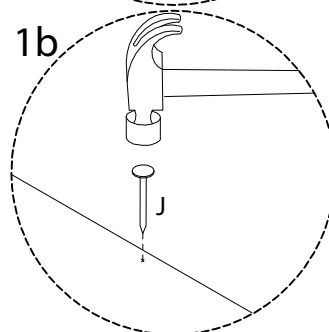
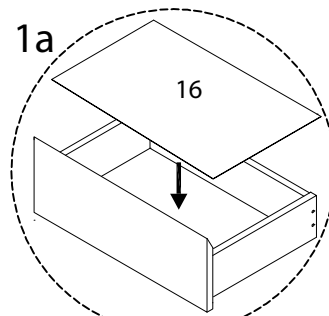
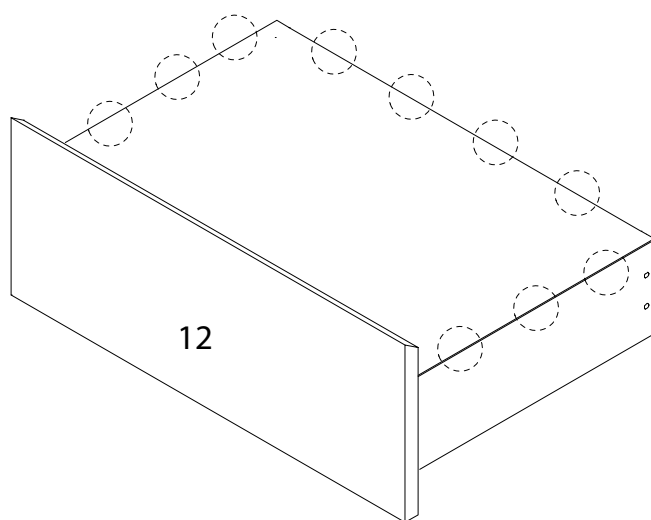
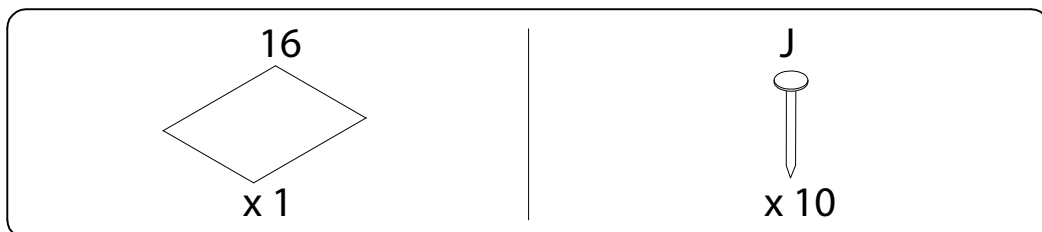
x 10



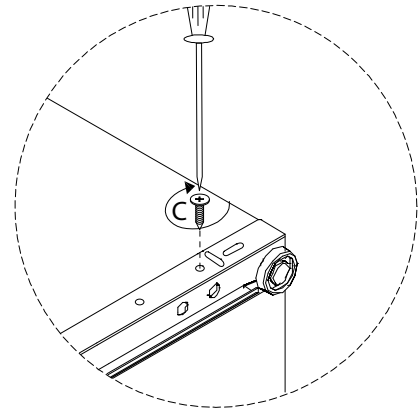
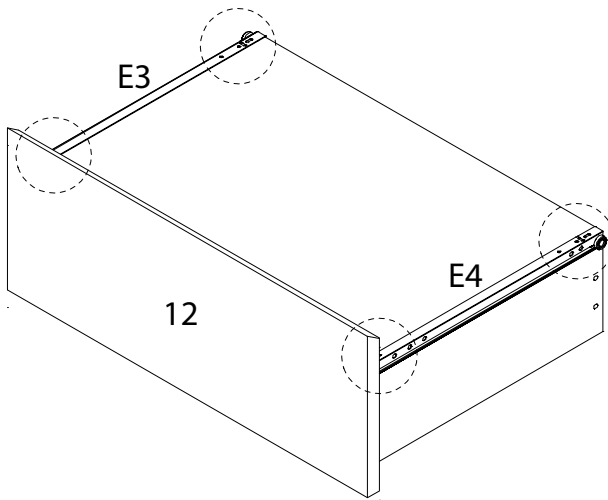
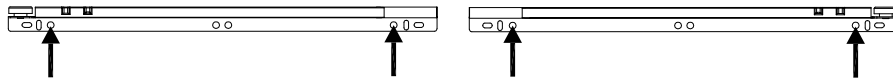
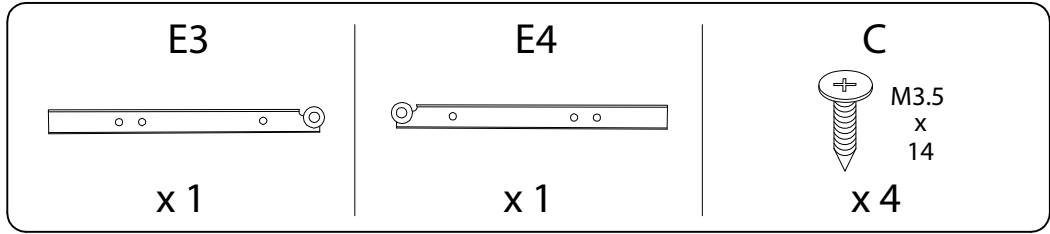
21 x2



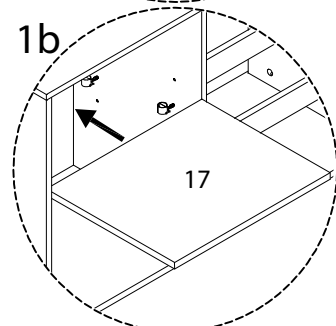
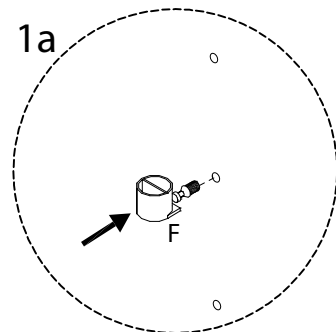
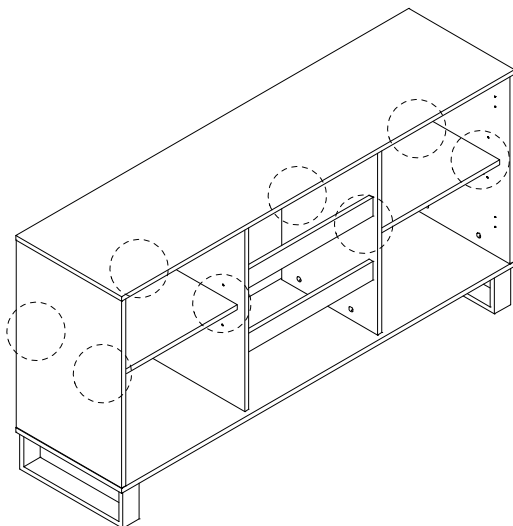
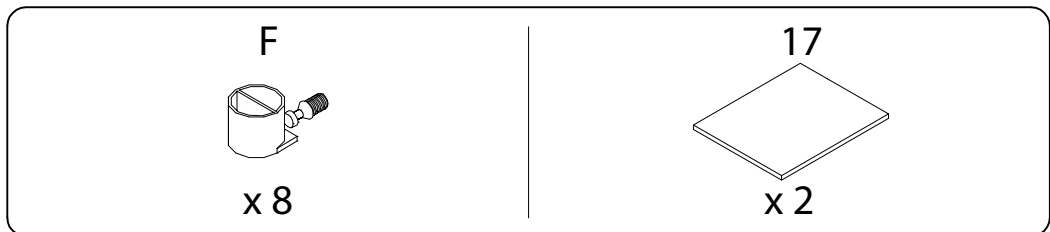
22



23

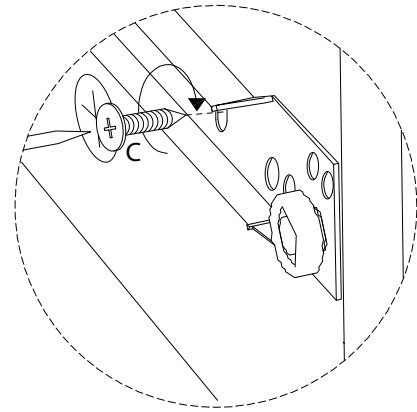
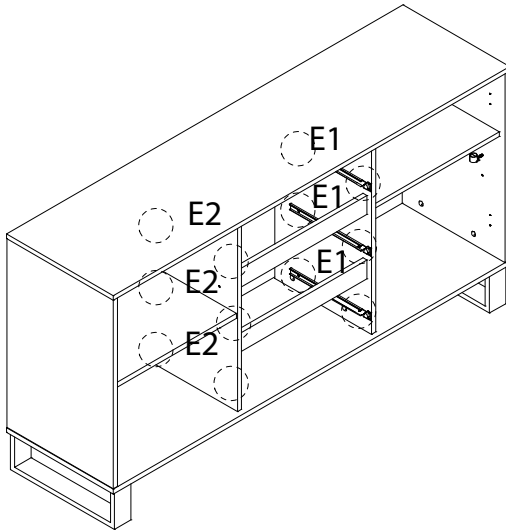
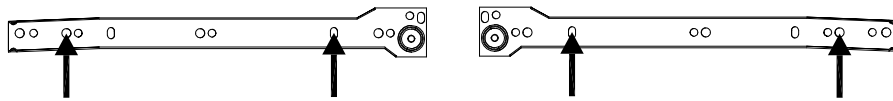
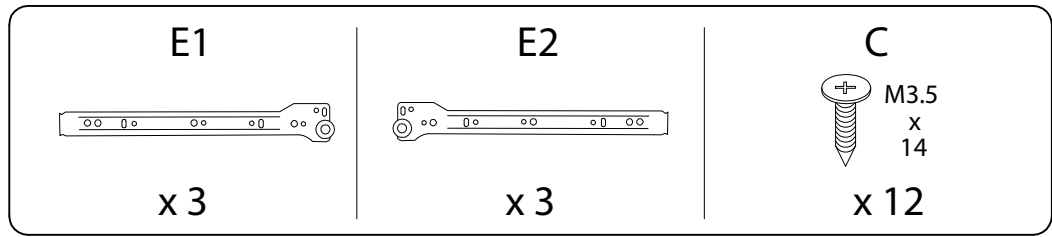


24

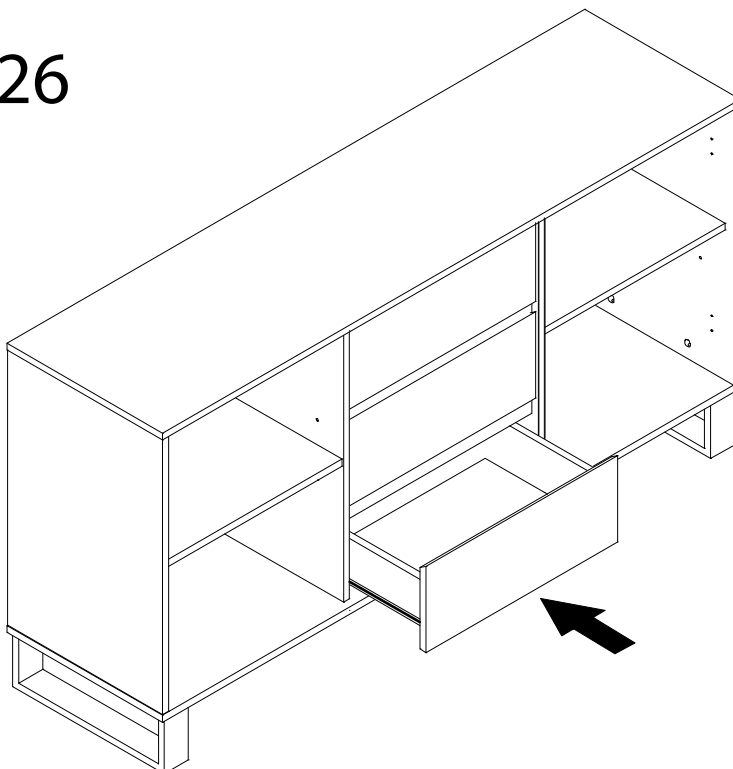




25

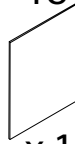


26



27

18



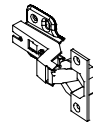
x 1

19



x 1

L

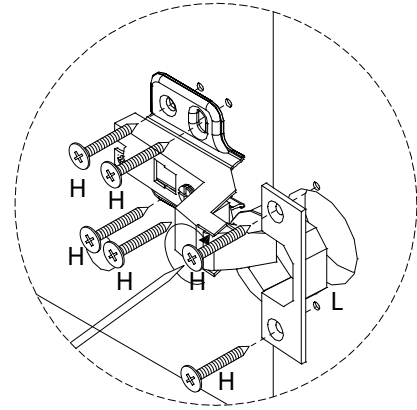
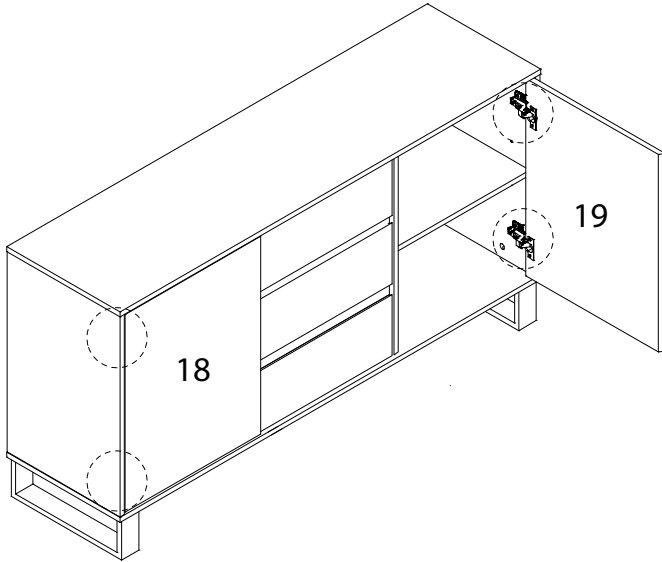


x 4

H



x 24



!

