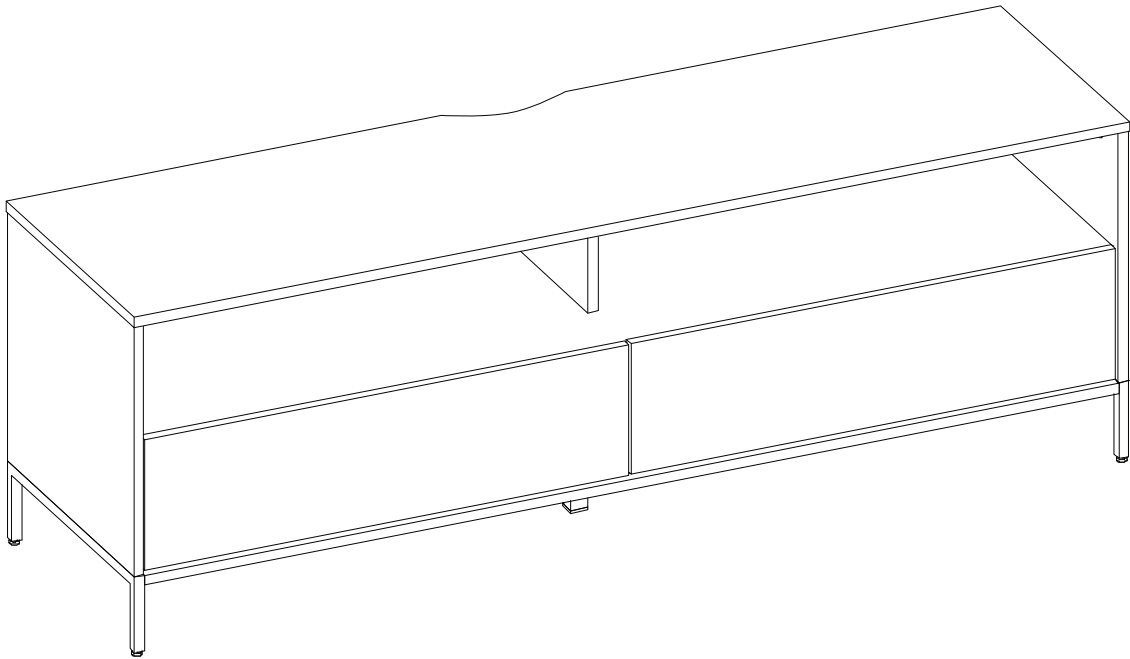
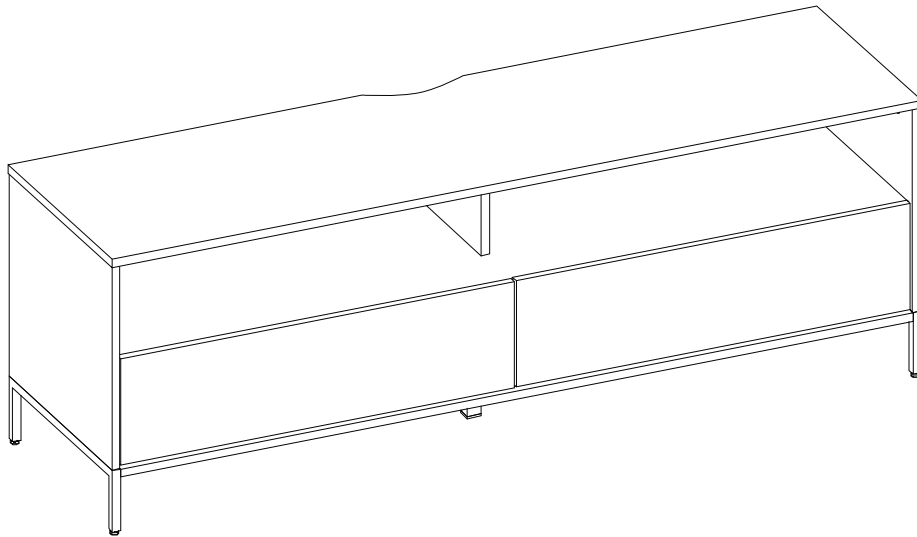


SYDNEY





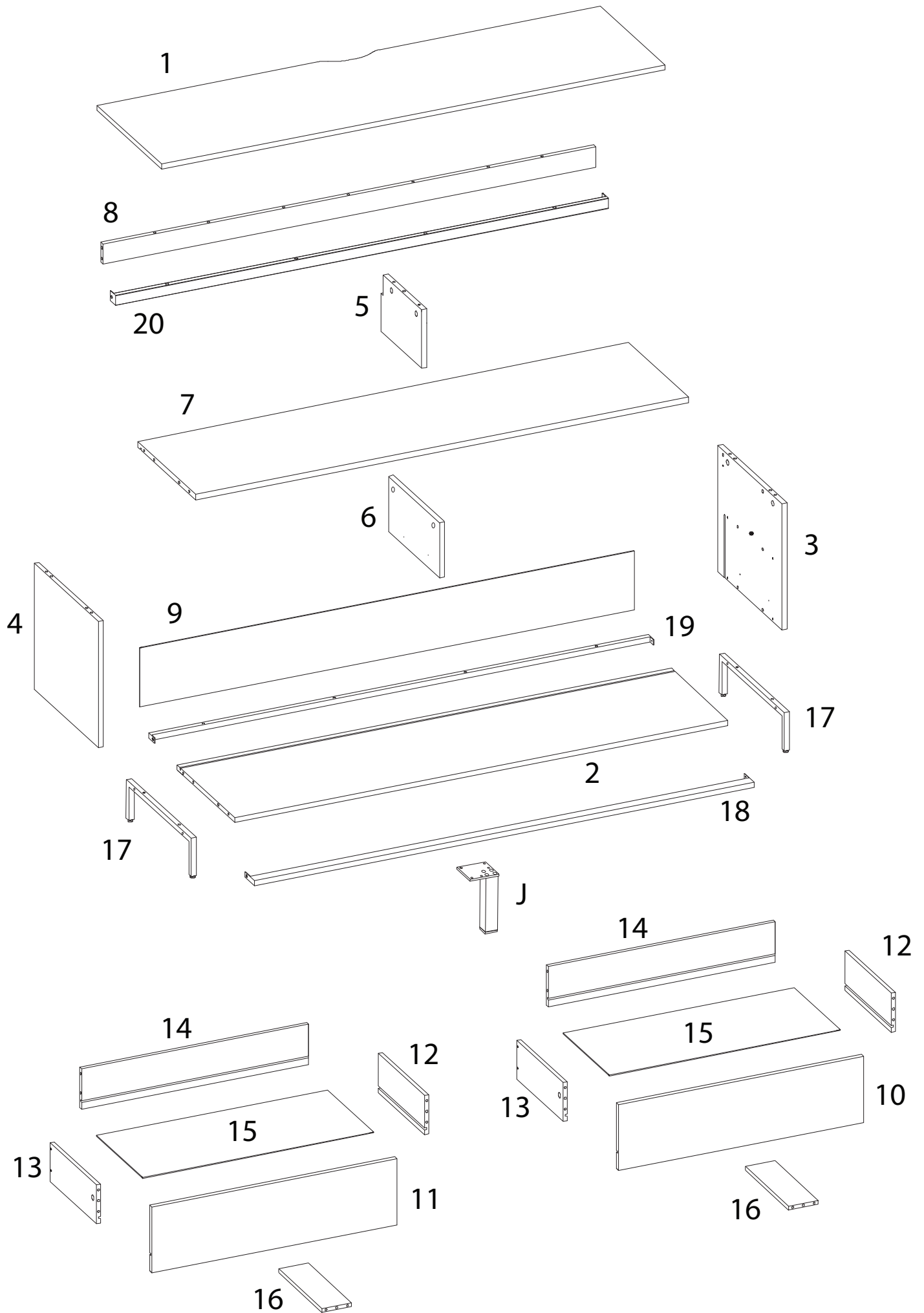
Assembly instructions for the shelving unit, including tool requirements, time, and personnel.


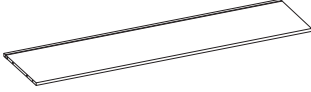
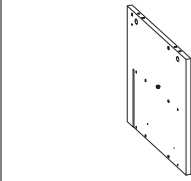
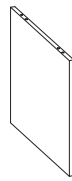
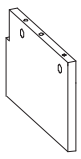
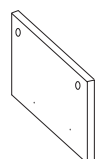
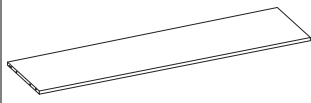

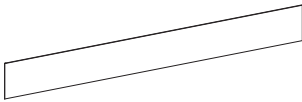
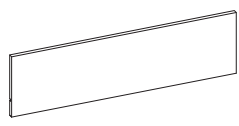
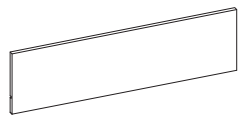
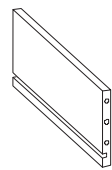
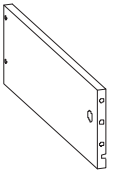
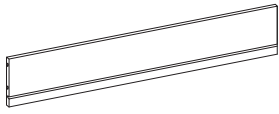

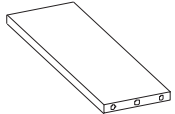
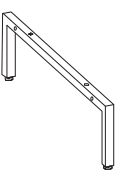



Tools: A screwdriver is required, and a power drill is not required. A warning triangle is shown next to these icons.

Time: The estimated assembly time is 60 minutes, indicated by a clock icon.

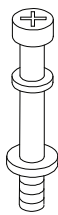
Personnel: Two people are required for assembly, indicated by a person icon and the number 2.

Warnings: Two warning triangles are present. The top one is associated with the tool requirements, and the bottom one is associated with the personnel requirement.



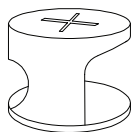
1  x 1	2  x 1	3  x 1	4  x 1
5  x 1	6  x 1	7  x 1	8  x 1
9  x 1	10  x 1	11  x 1	12  x 2
13  x 2	14  x 2	15  x 2	16  x 2
17  x 2	18  x 1	19  x 1	20  x 1

A



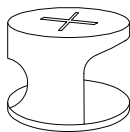
x 30

B



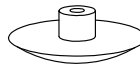
x 22

C



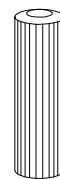
x 8

D



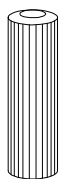
x 13

E



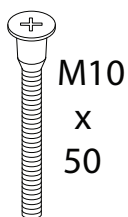
x 23

F



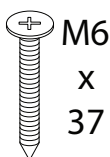
x 16

G



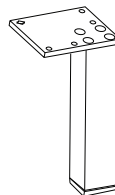
x 4

H



x 8

J



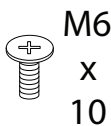
x 1

K



x 5

L



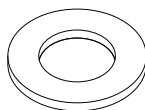
x 6

M



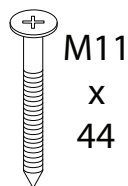
x 8

N



x 8

P



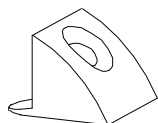
x 8

Q



x 20

R



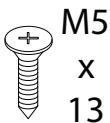
x 14

S



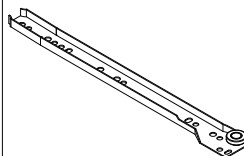
x 14

T



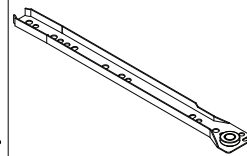
x 1

U1



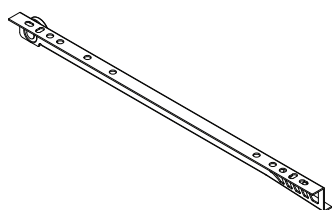
x 2

U2



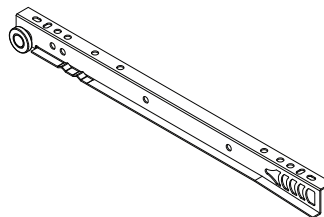
x 2

V1



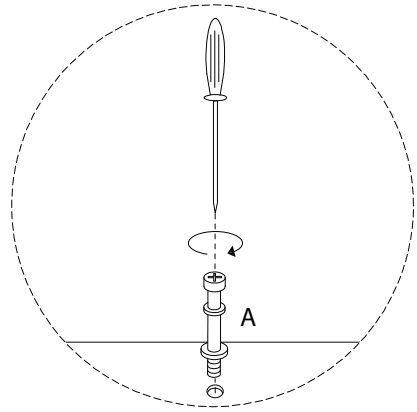
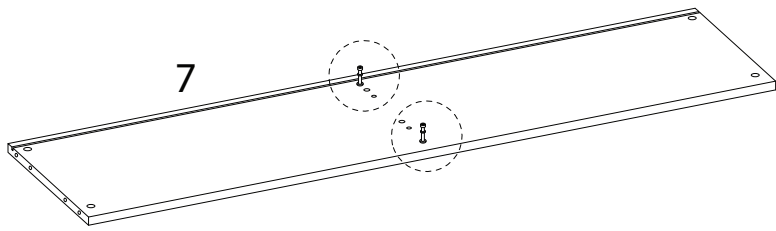
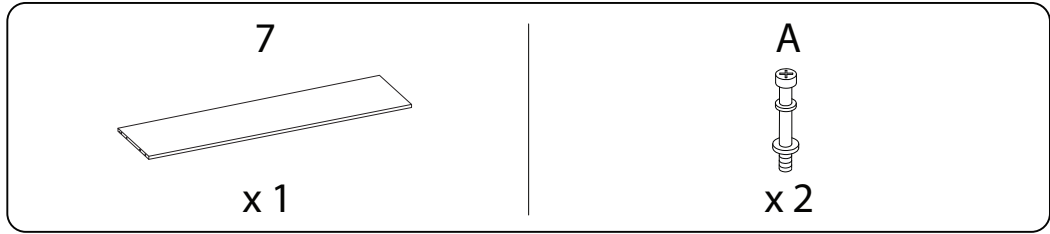
x 2

V2

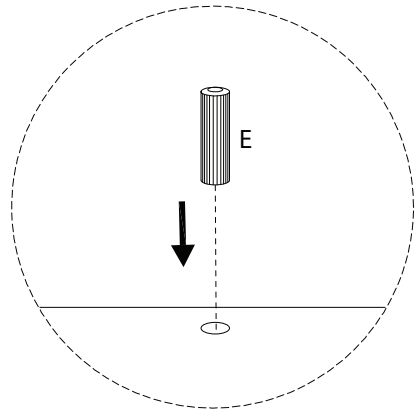
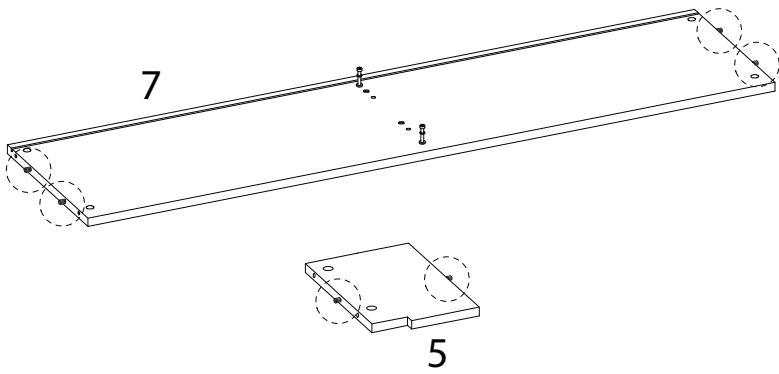
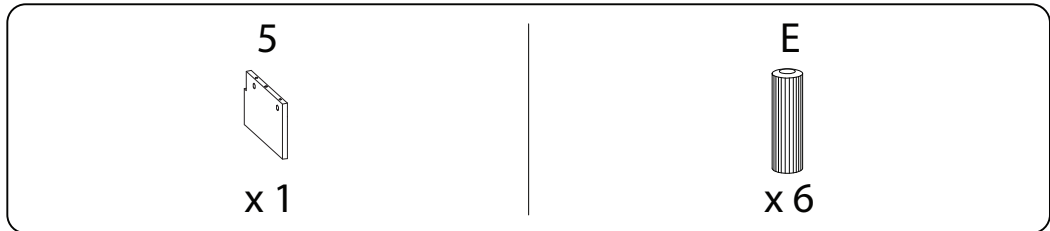


x 2

1

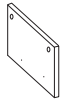


2



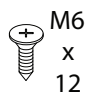
3

6



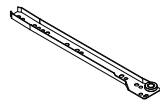
x 1

Q

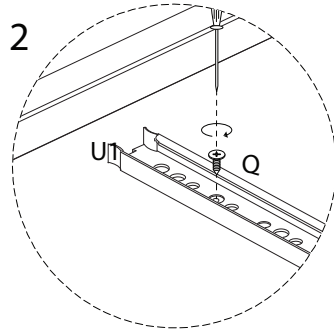
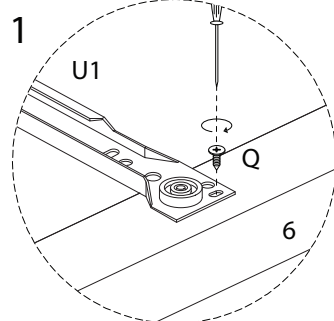
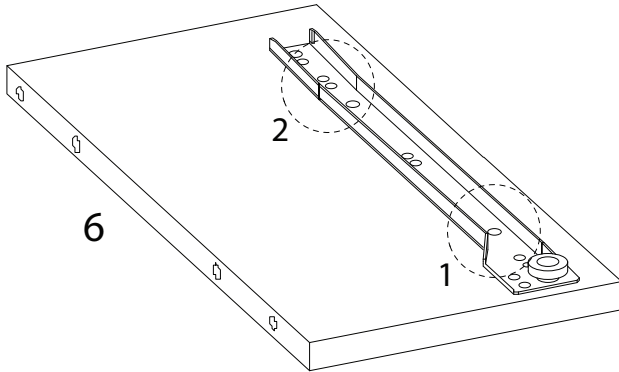


x 2

U1



x 1



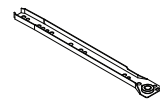
4

Q

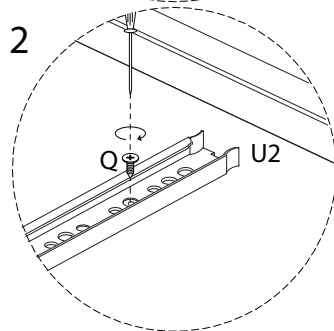
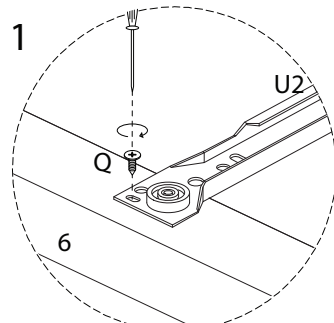
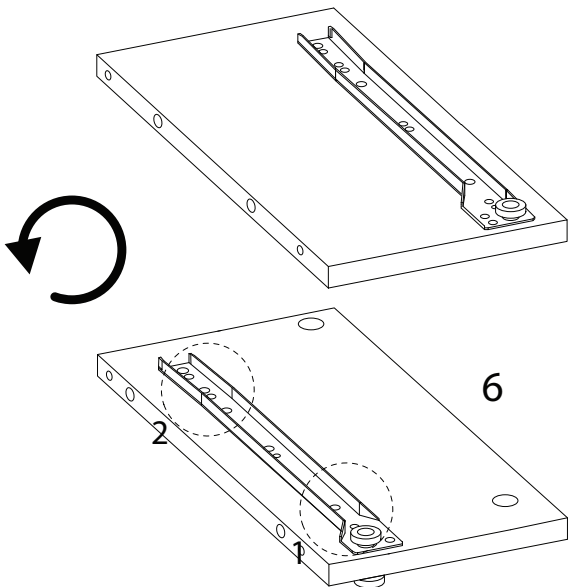


x 2

U2

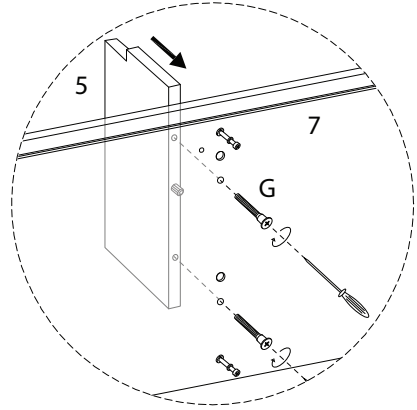
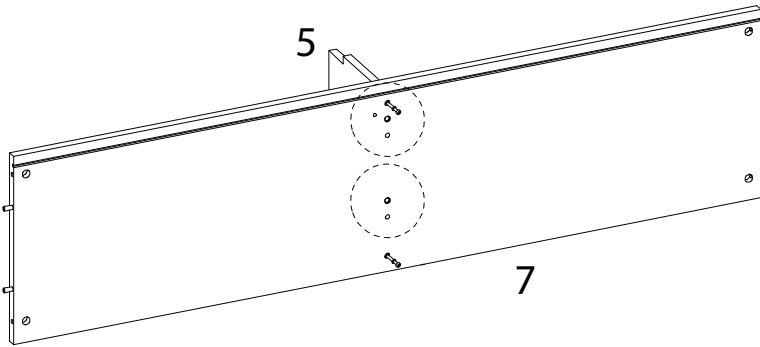


x 1

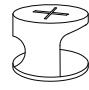


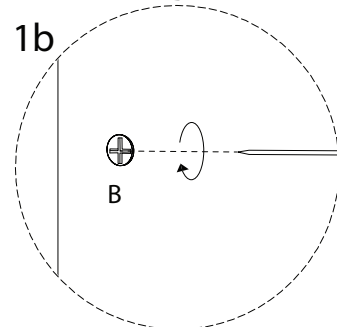
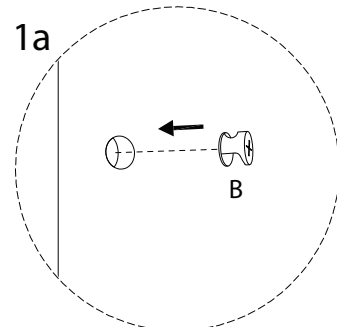
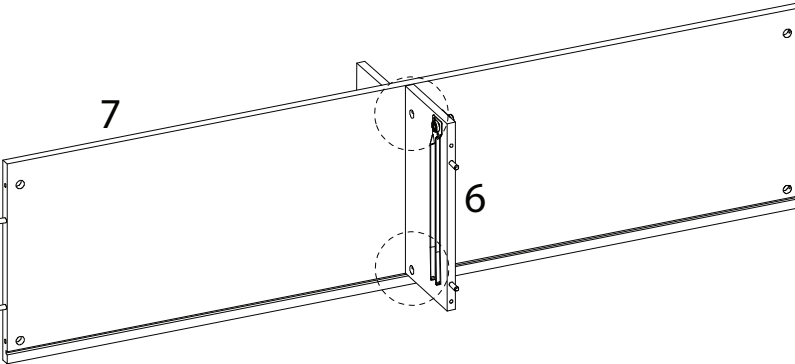
5

G
M10
x
50
x 2



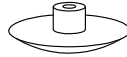
6

B

x 2

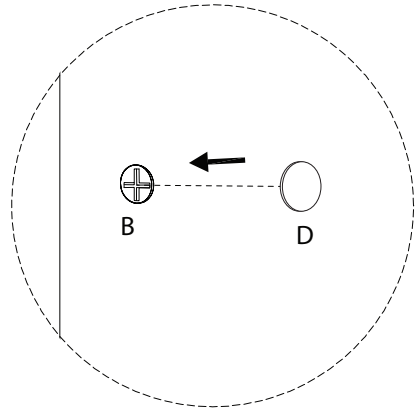
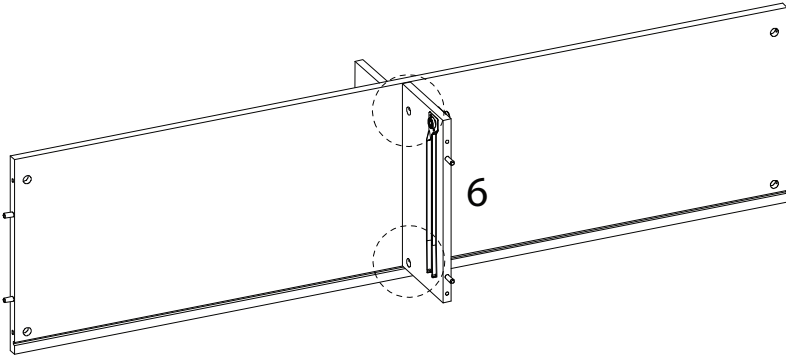


7

D



x2



8

3



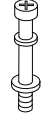
x1

4

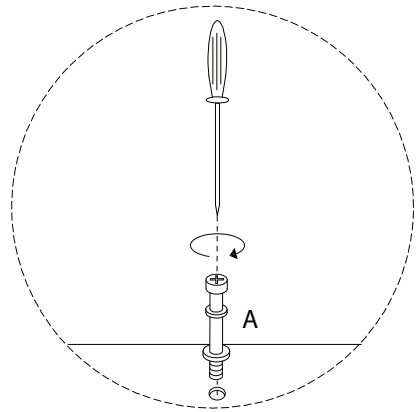
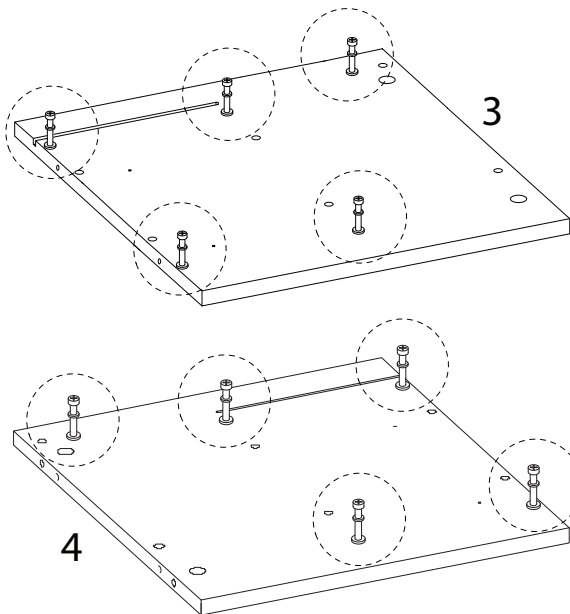


x1

A

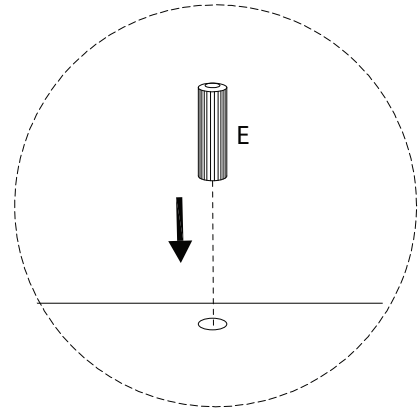
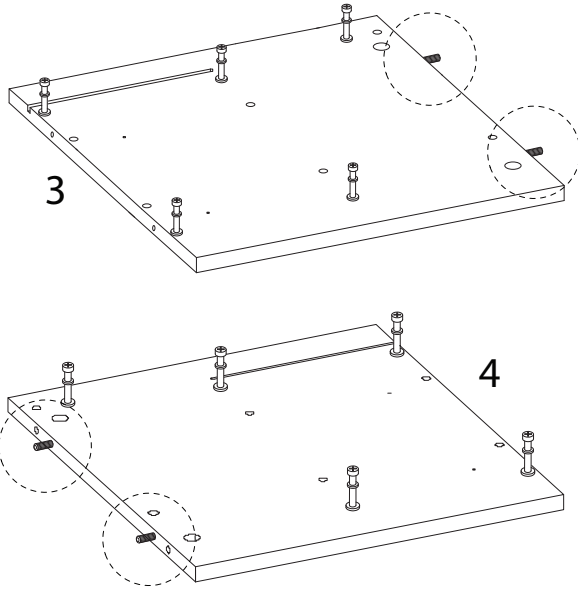


x10



9

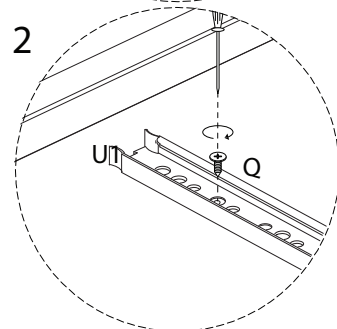
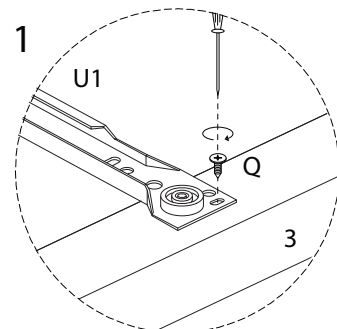
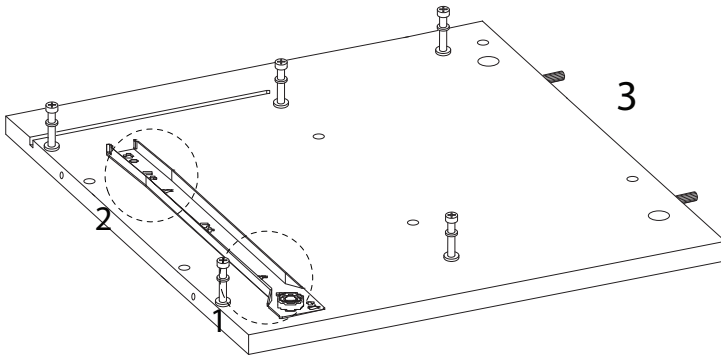
E
x 4



10

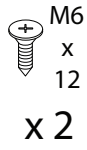
Q
M6
x
12
x 2

U1
x 1

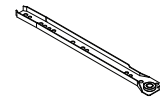


11

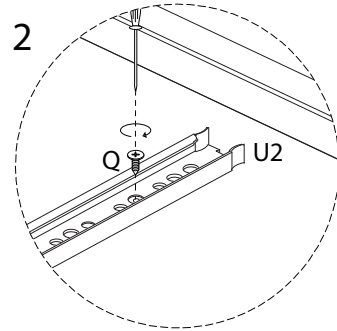
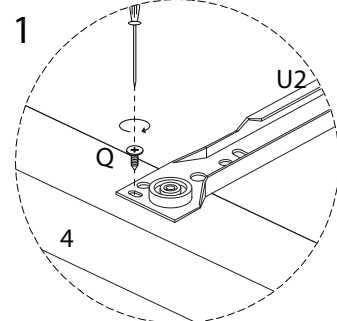
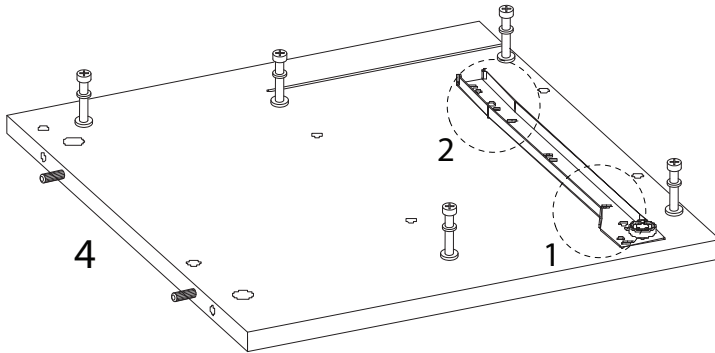
Q



U2



x 1



12

2



x 1

8

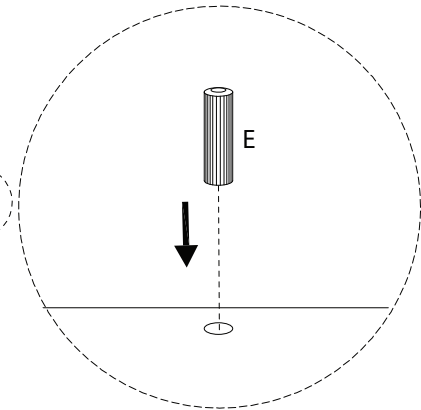
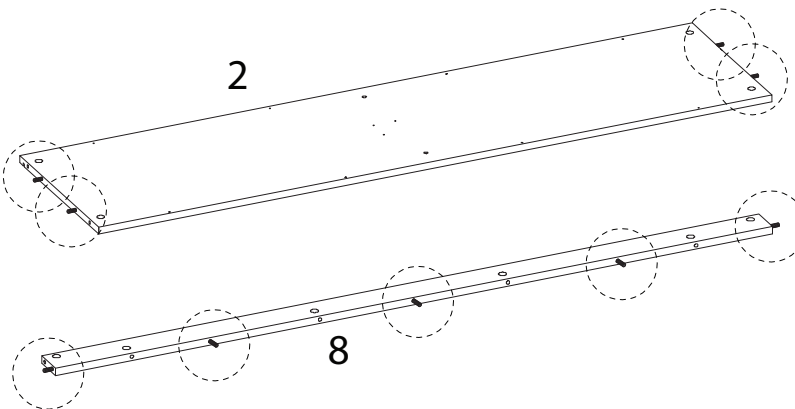


x 1

E

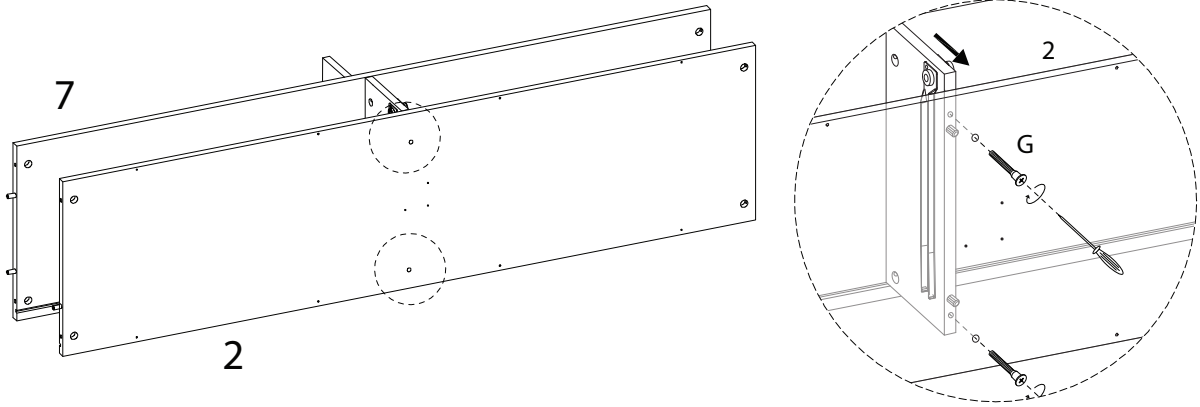


x 9

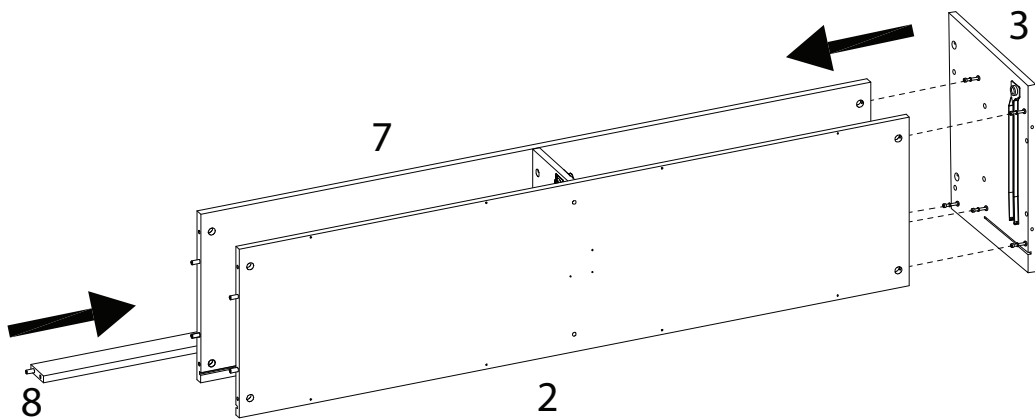


13

G
M10
x
50
x 2



14

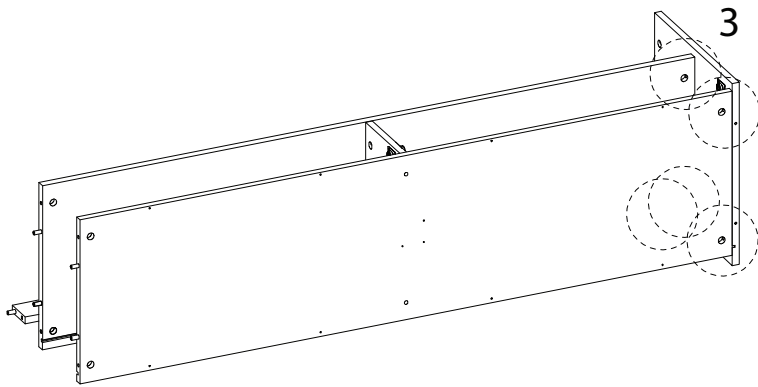


15

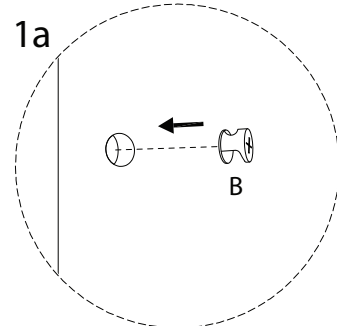
B



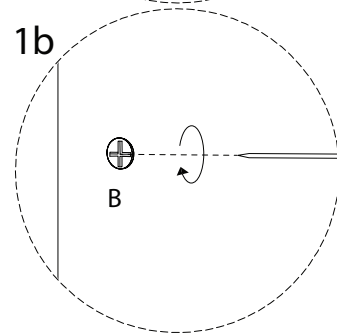
x 5



1a



1b

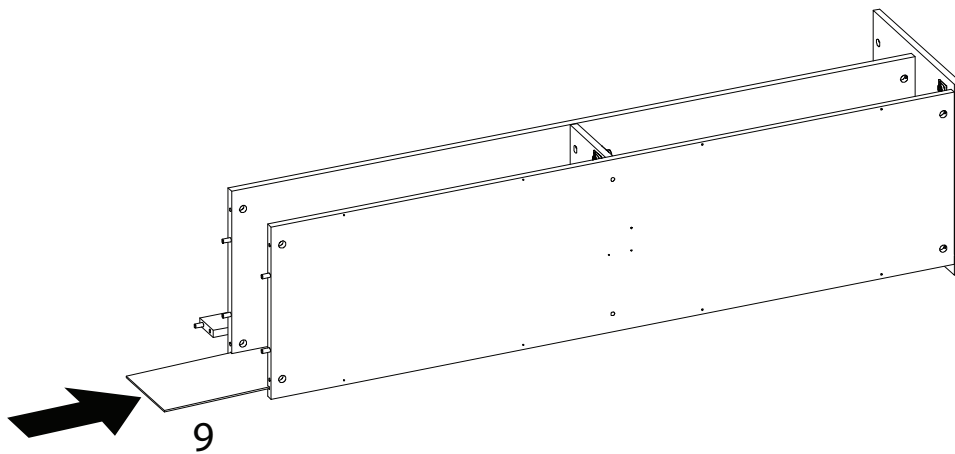


16

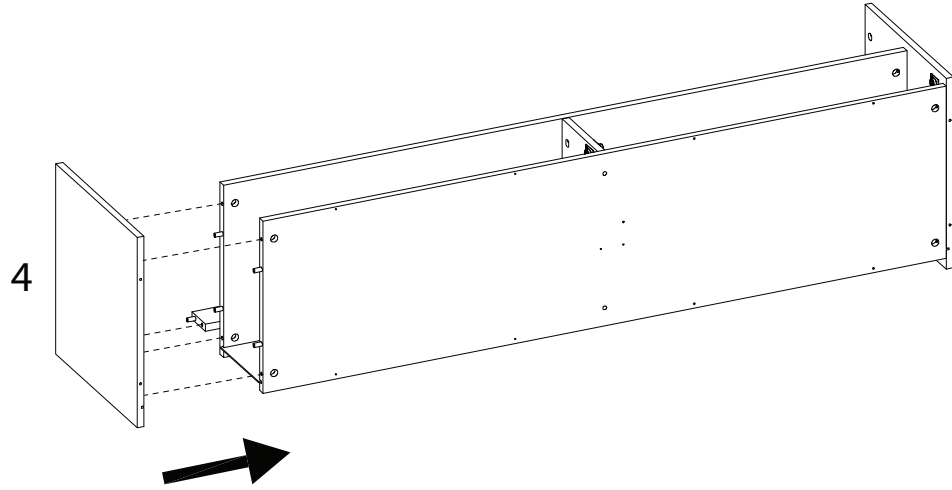
9



x 1



17

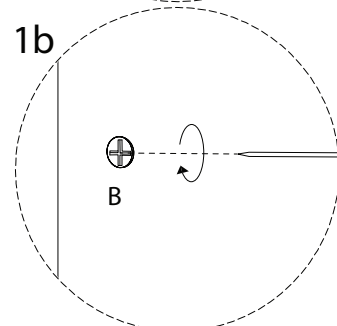
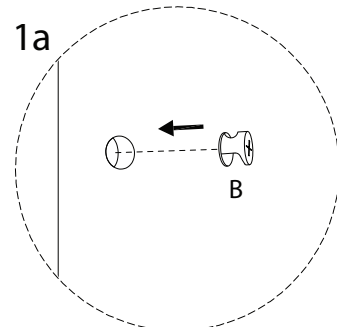
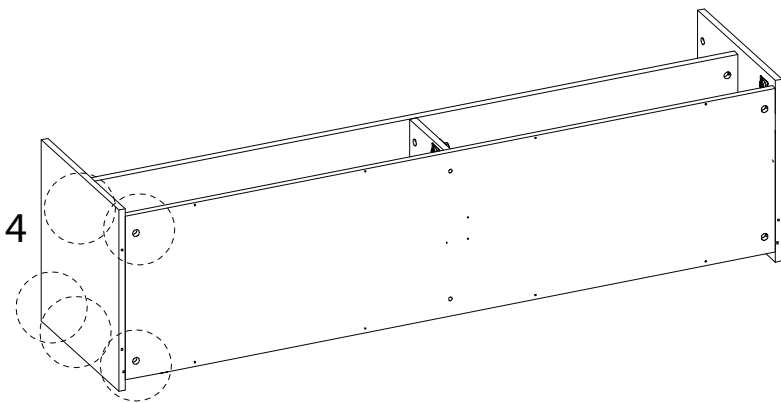


18

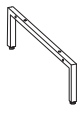



B

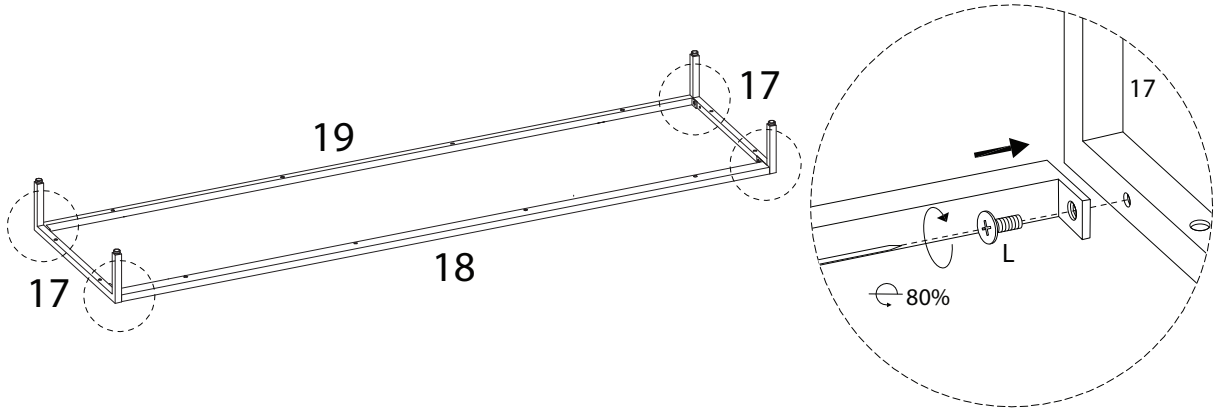


x 5

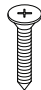
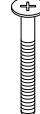


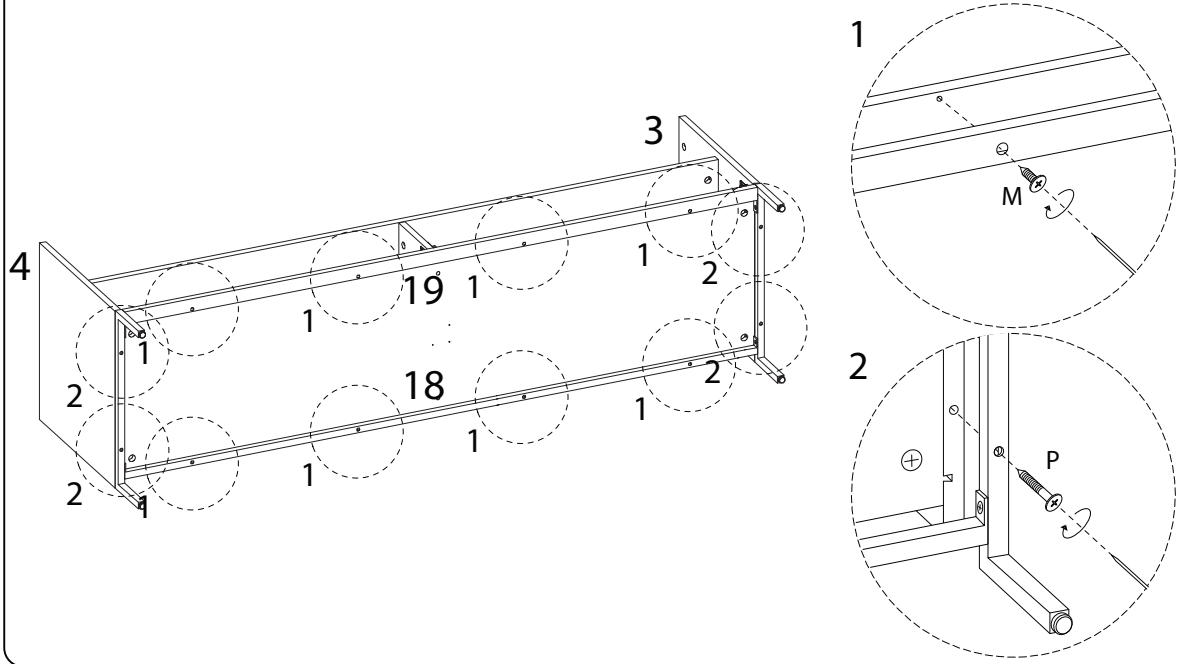
19

<p>17</p>  <p>x 2</p>	<p>18</p>  <p>x 1</p>	<p>19</p>  <p>x 1</p>	<p>L</p>  <p>M6 x 10</p> <p>x 4</p>
--	--	---	--

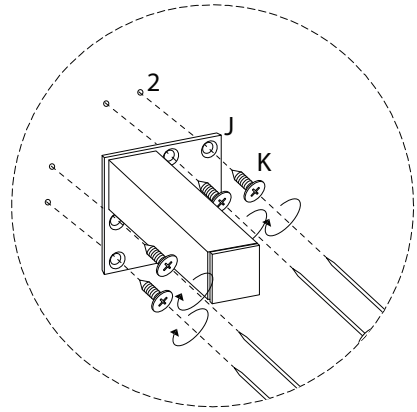
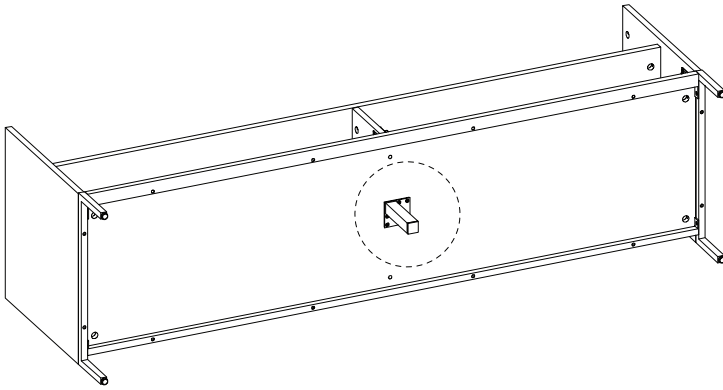
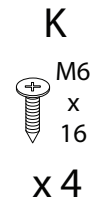


20

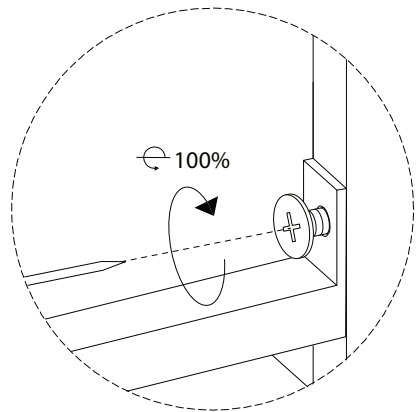
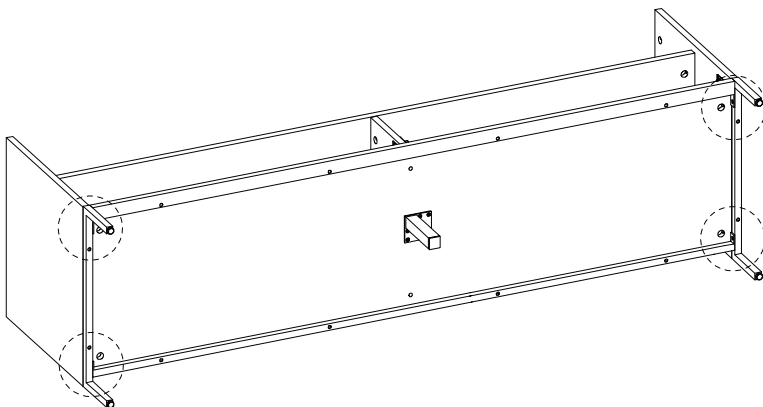
<p>M</p>  <p>M8 x 25</p> <p>x 8</p>	<p>P</p>  <p>M11 x 44</p> <p>x 4</p>
--	---



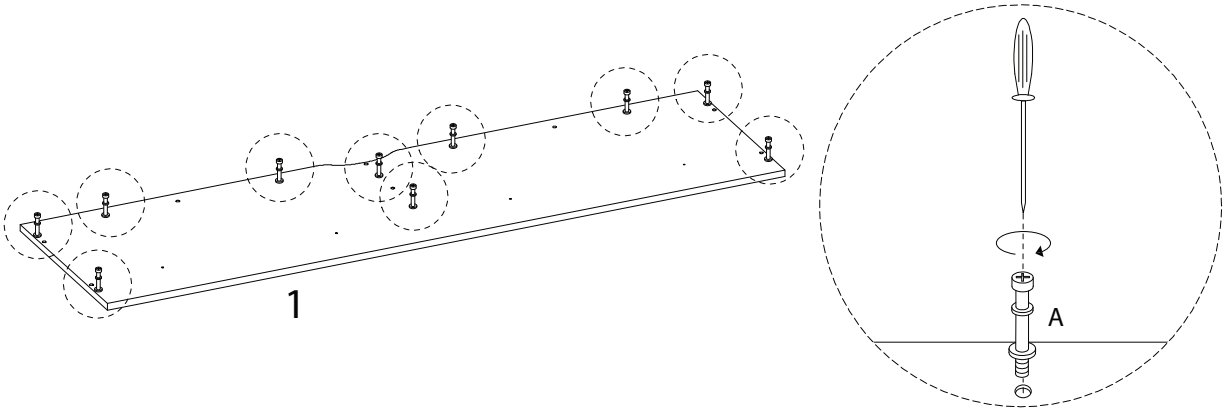
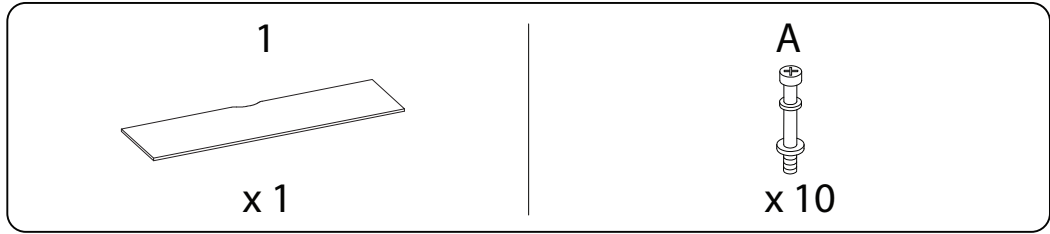
21



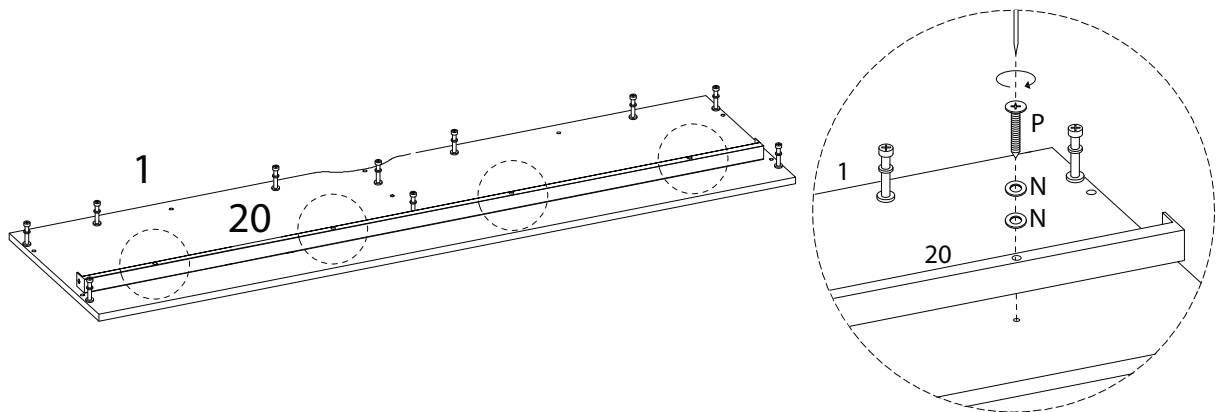
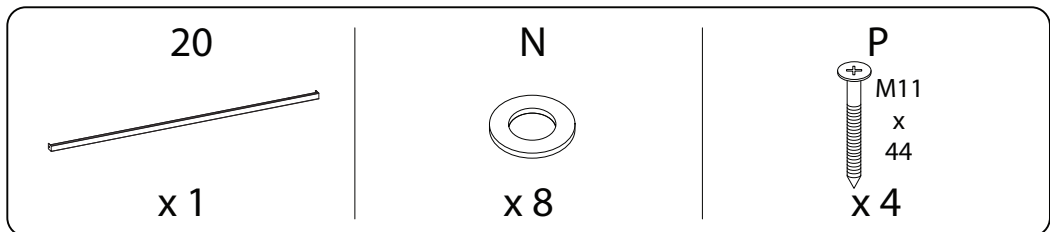
22



23

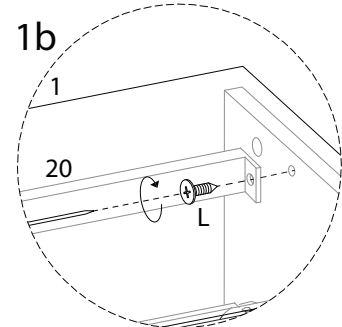
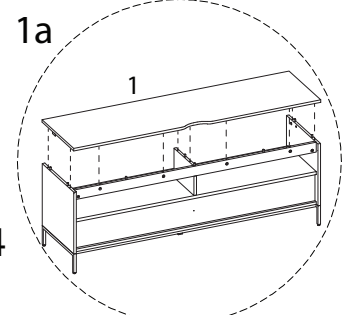
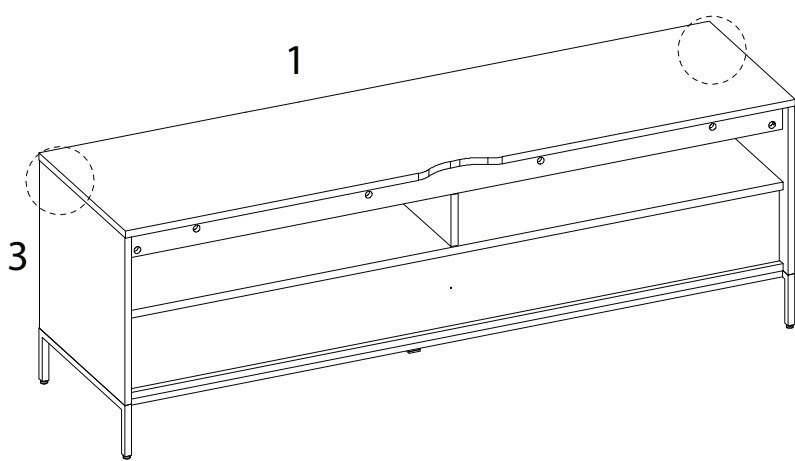


24



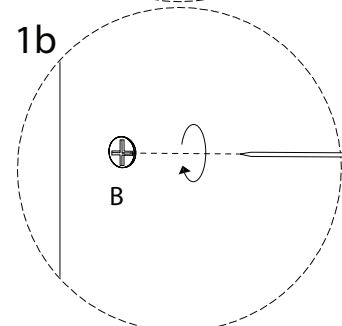
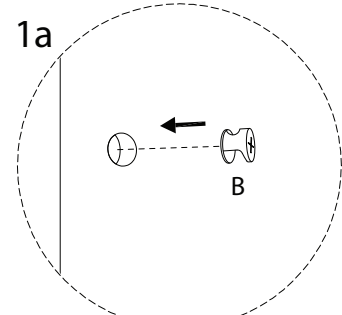
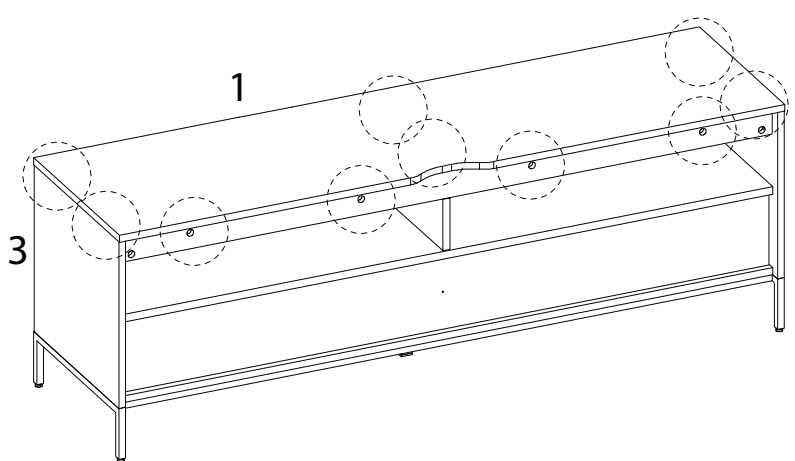
25

L
M6
x
10
x 2



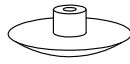
26

B
x 10

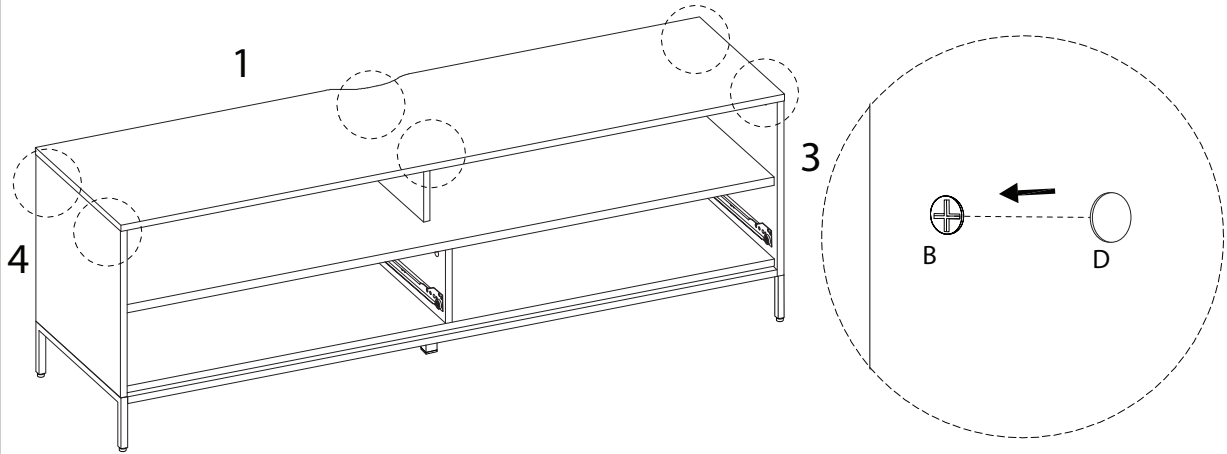


27

D



x 6



28

R

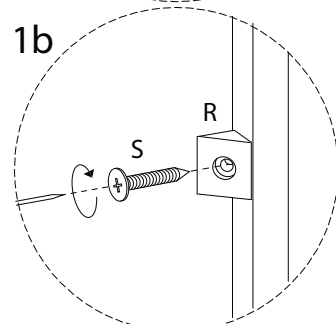
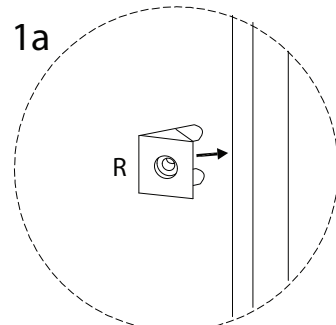
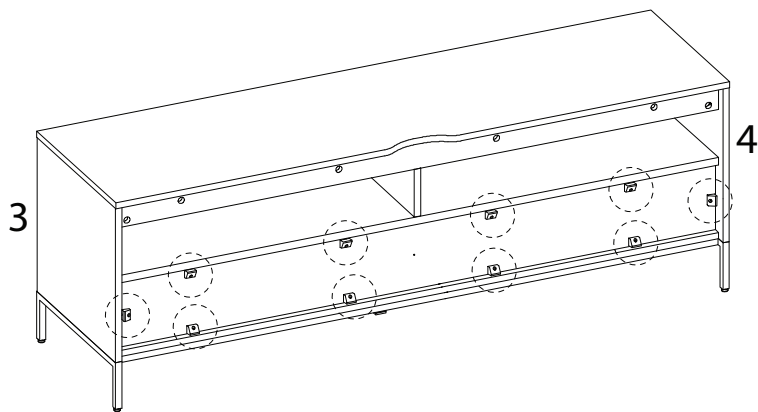


x 10

S



x 10

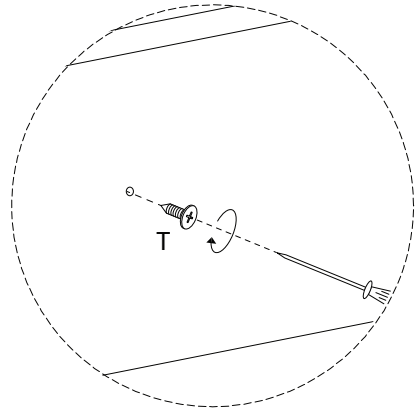
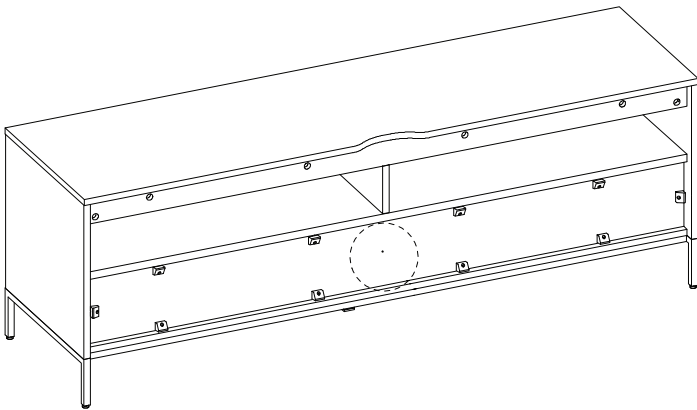


29

T



x 1



30

10



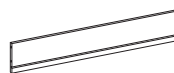
x 1

11



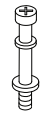
x 1

14

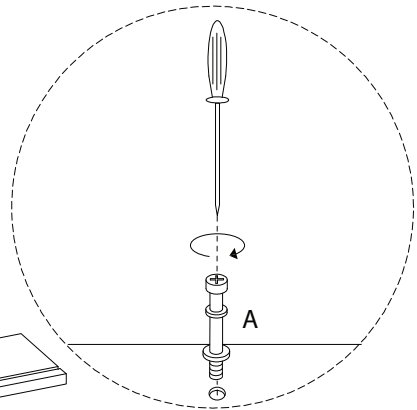
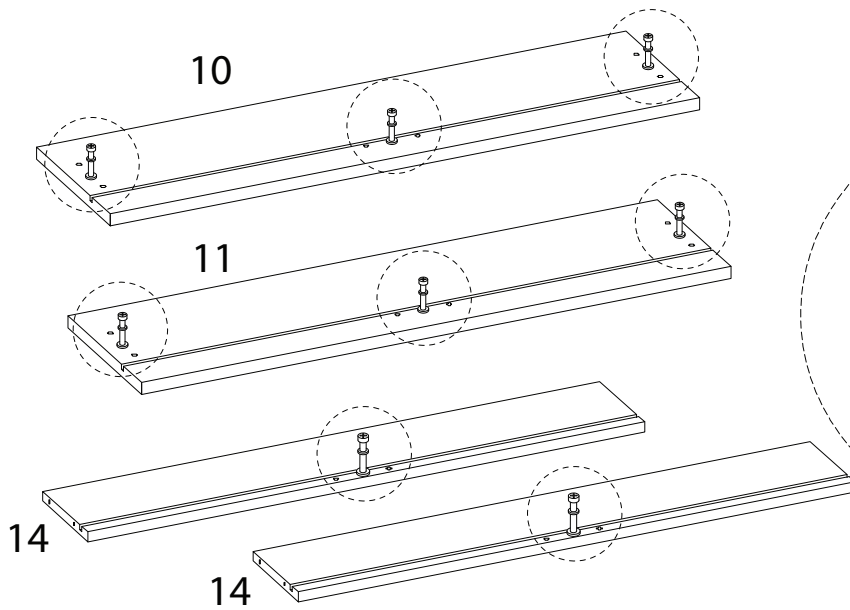


x 2

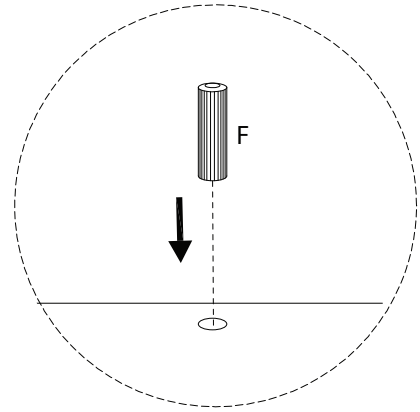
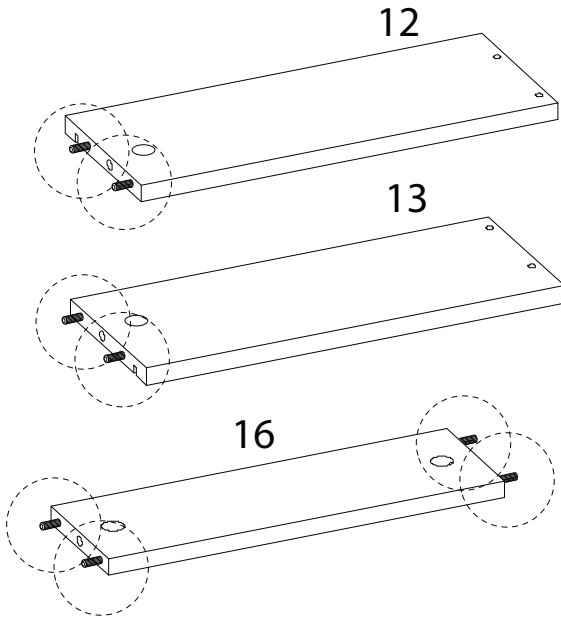
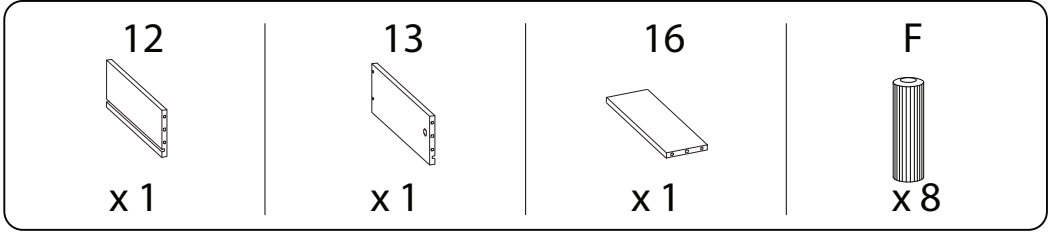
A



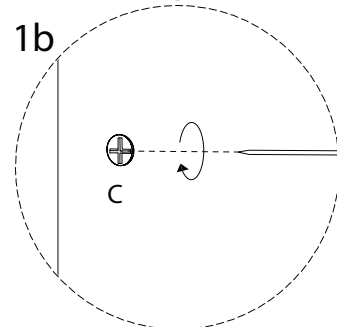
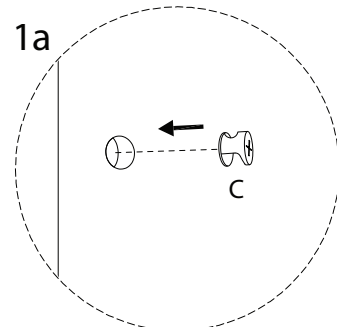
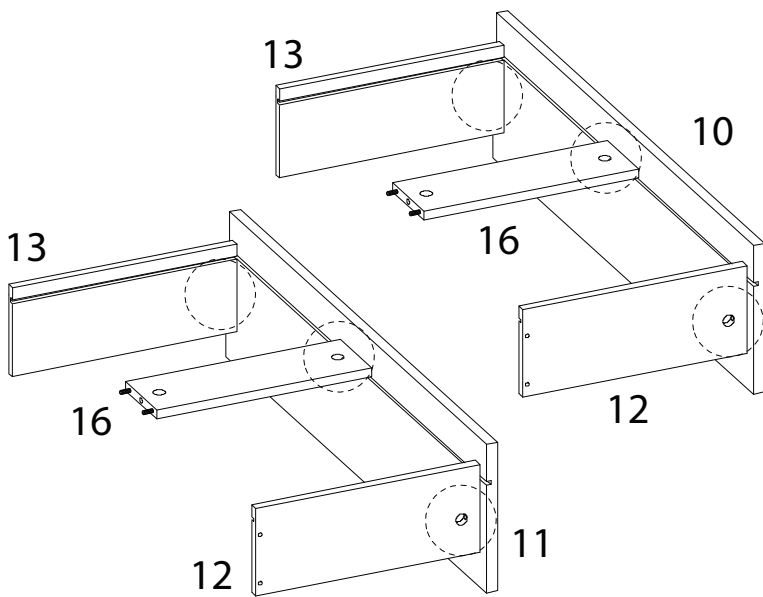
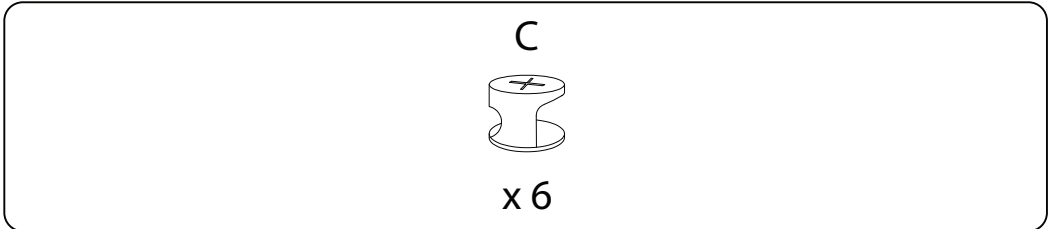
x 8



31 x 2



32

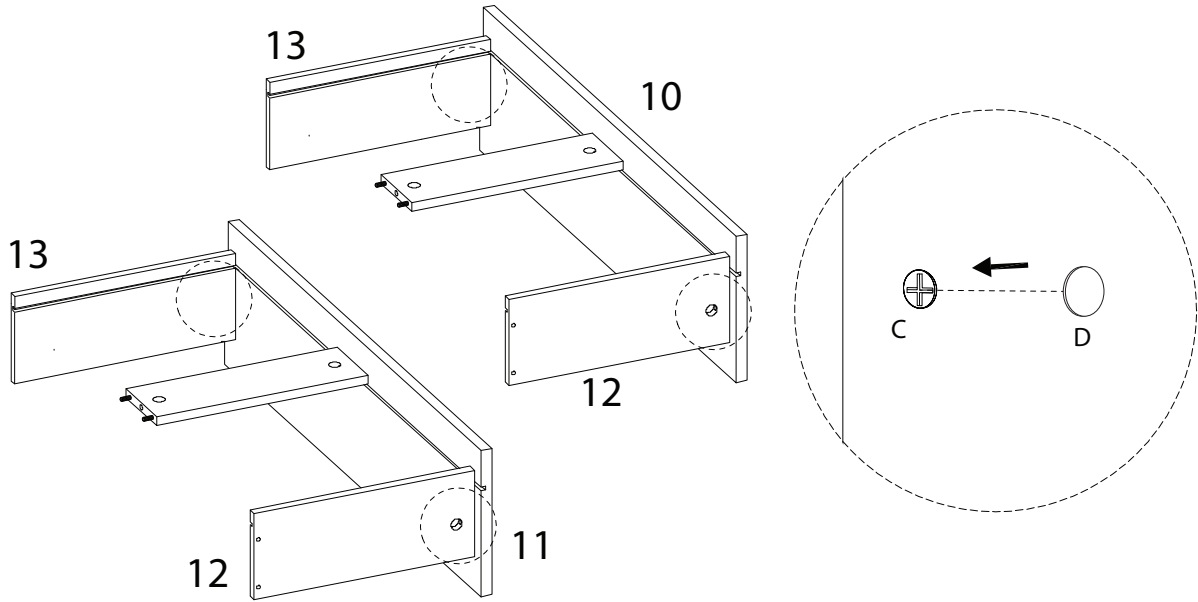


33

D



x 4

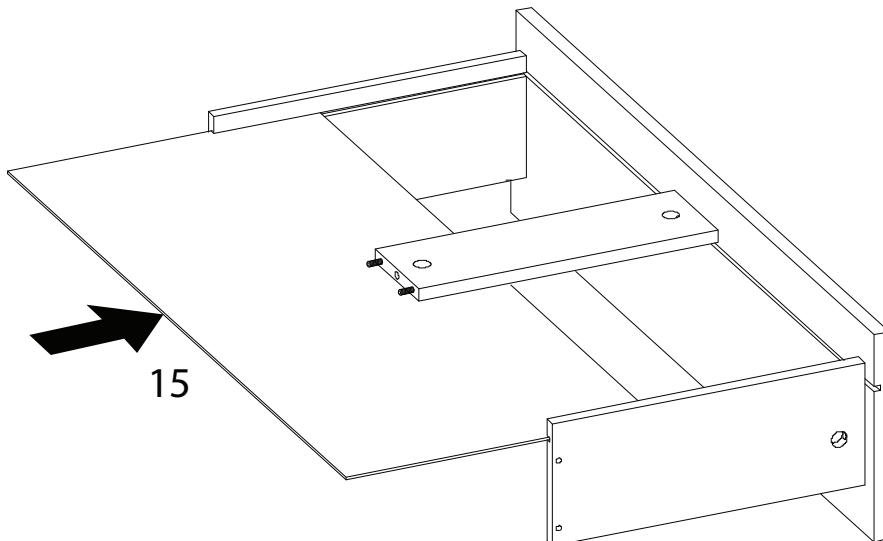


34 x 2

15



x 1

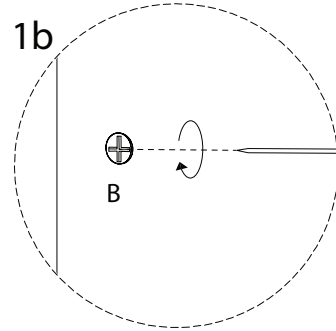
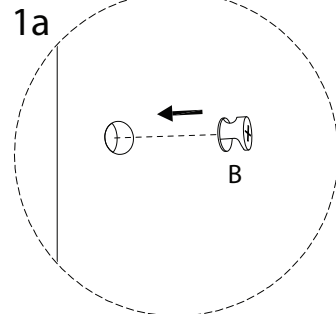
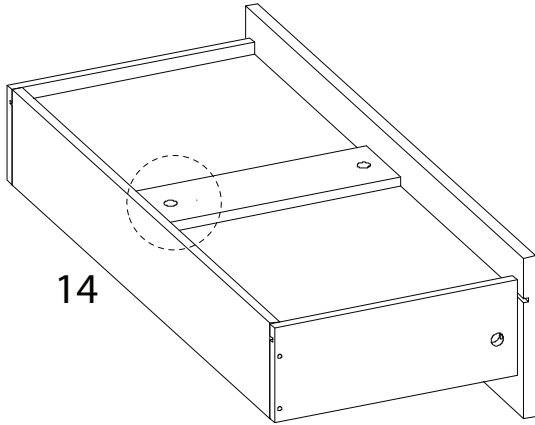


35 x 2

C

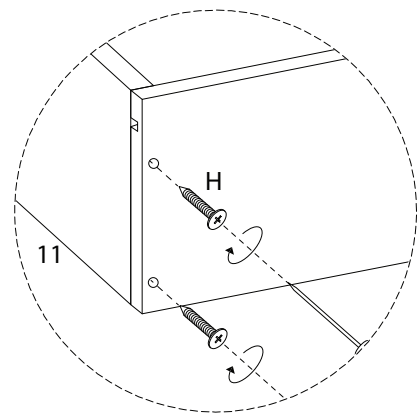
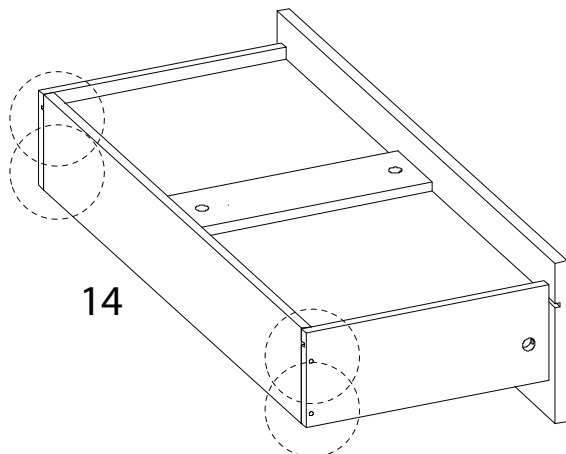
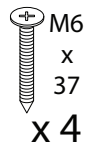


x 1



36 x 2

H



37 x 2

R

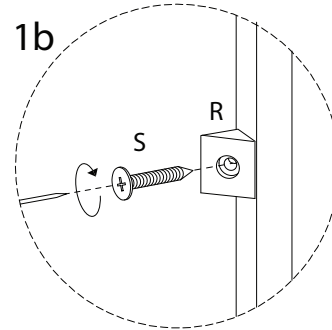
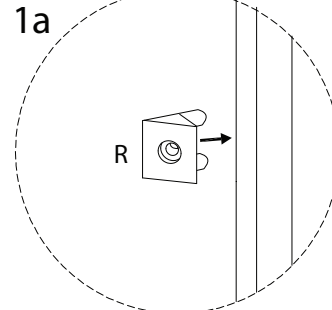
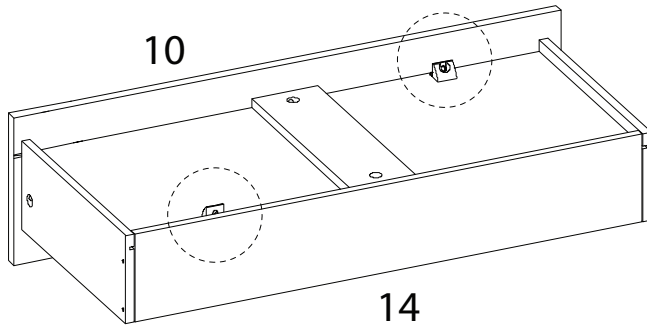


x 2

S



x 2



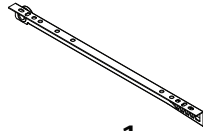
38 x 2

Q



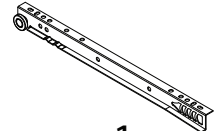
x 4

V3

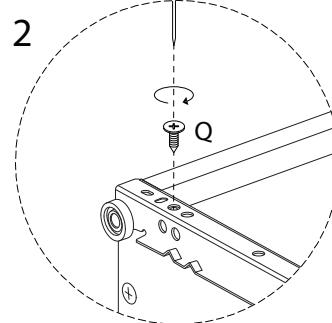
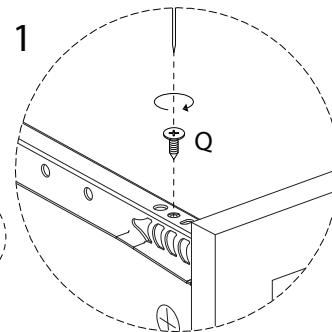
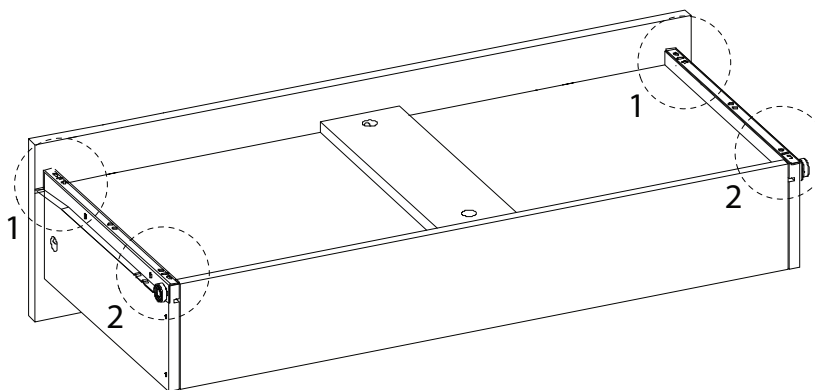


x 1

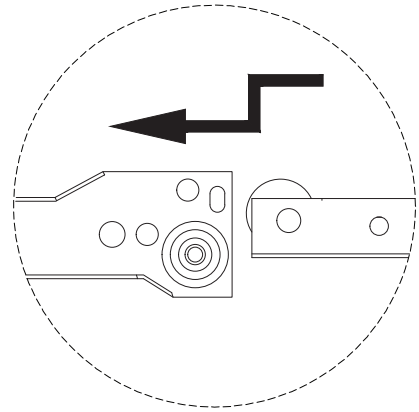
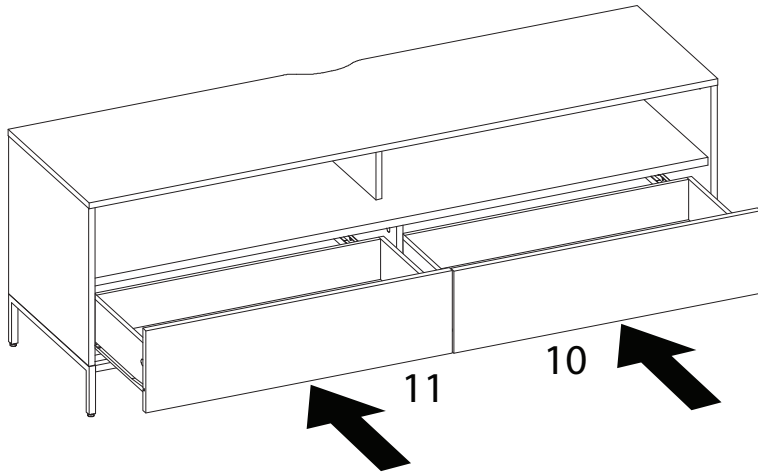
V4



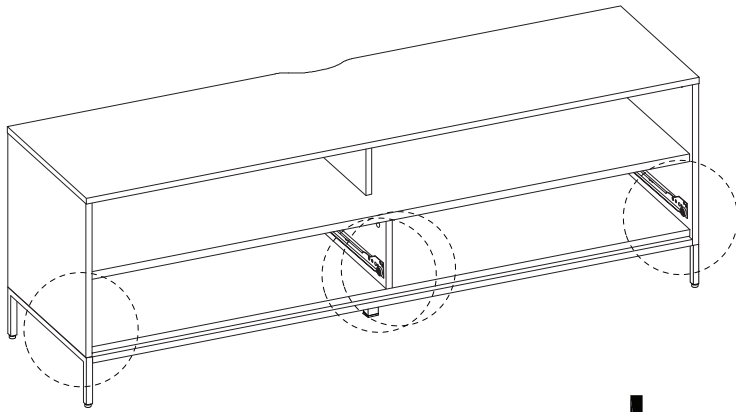
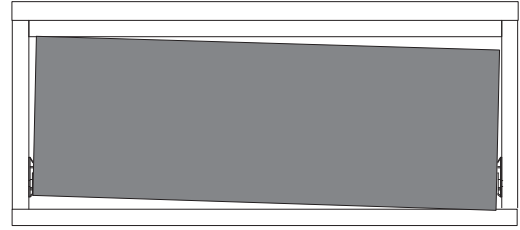
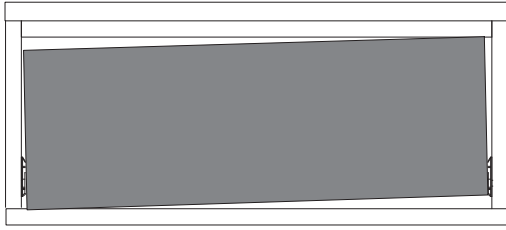
x 1



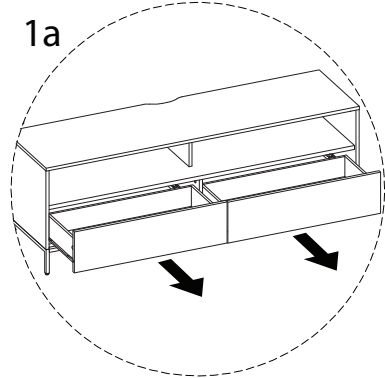
39



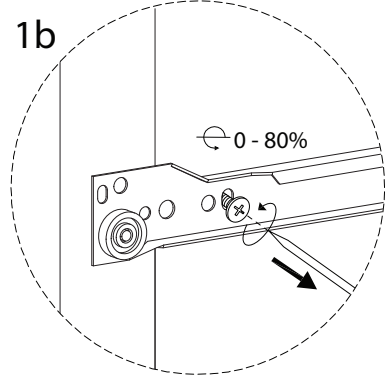
!



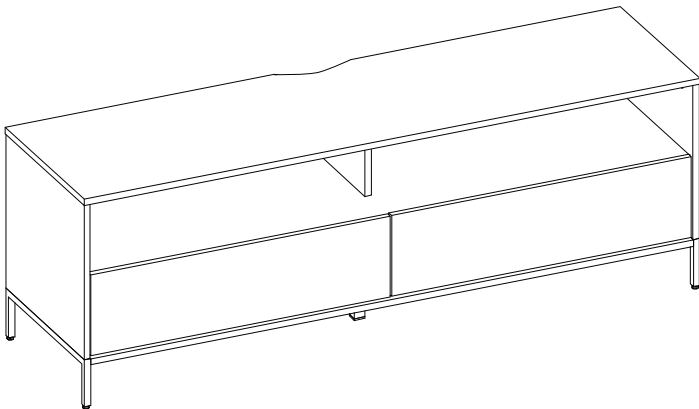
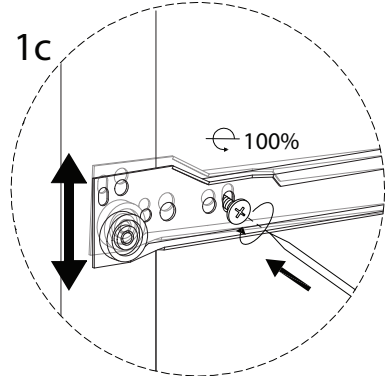
1a



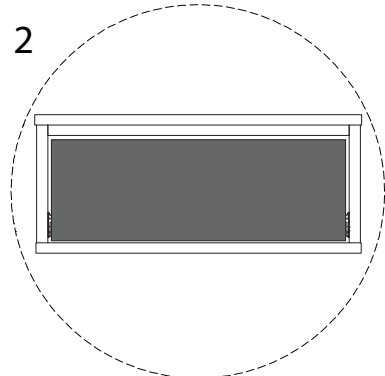
1b



1c

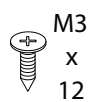


2

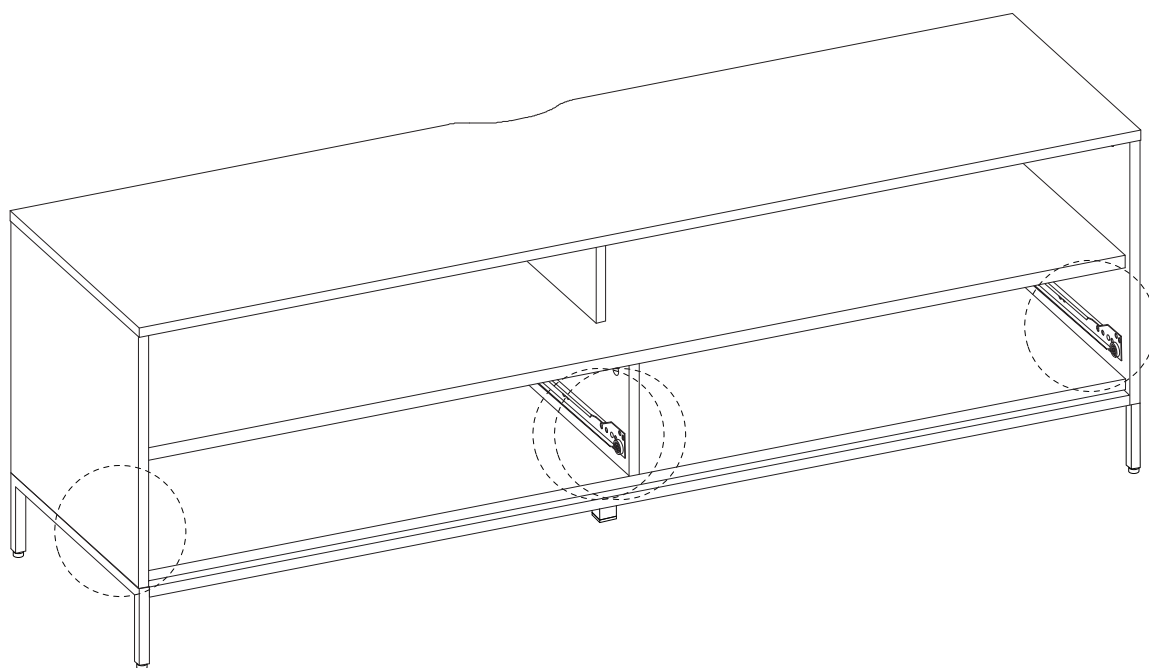


40

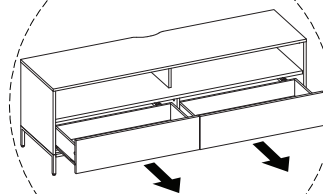
Q



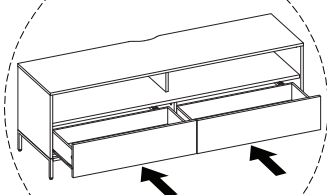
x 4



1a



1c



1b

