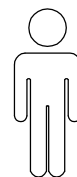
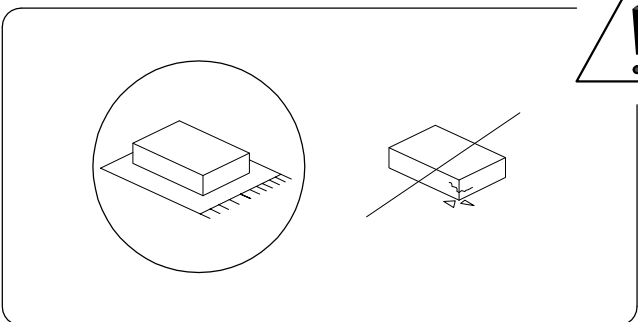
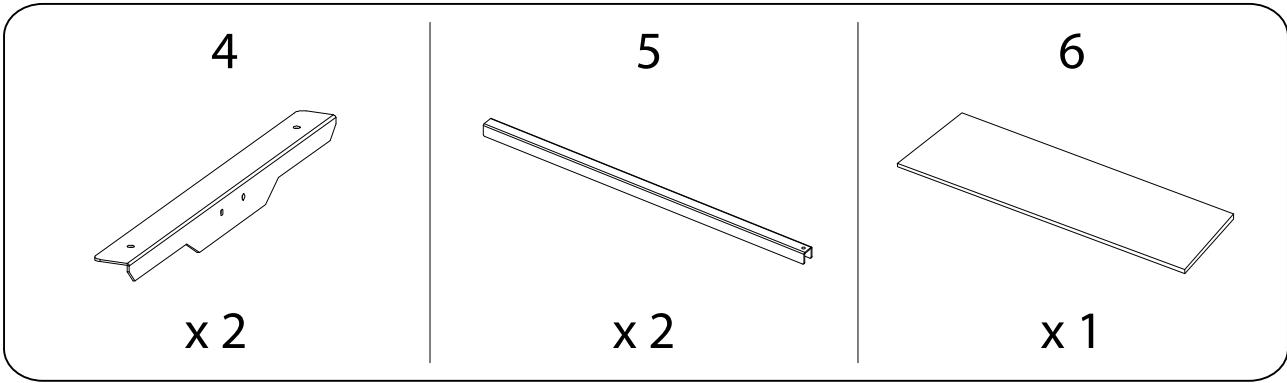
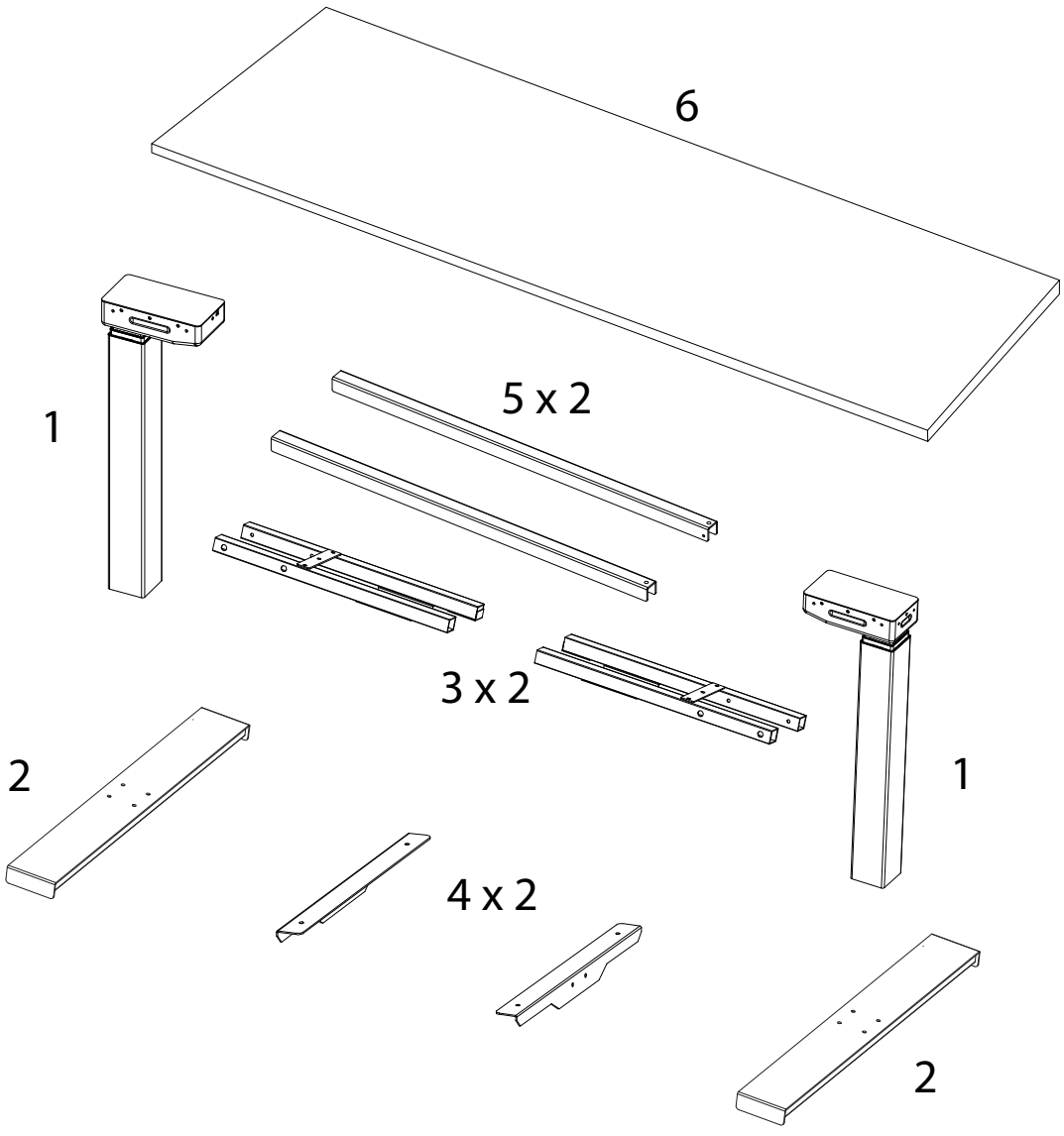
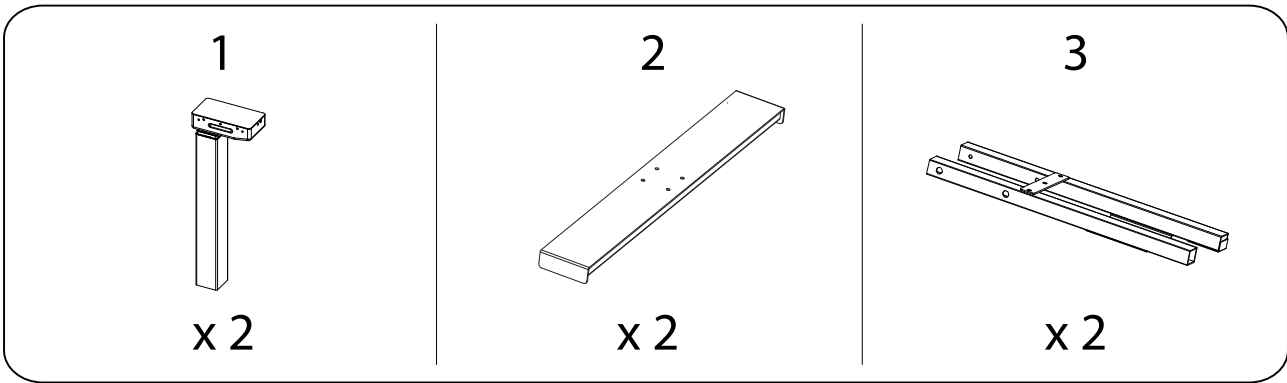


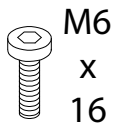
60'



2

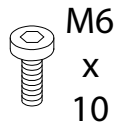


A



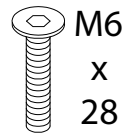
x 16

B



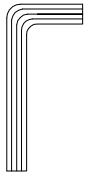
x 12

C



x 8

D1



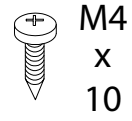
x 1

D2



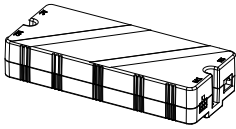
x 1

E



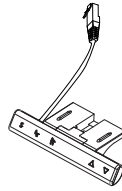
x 2

F



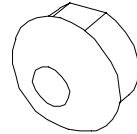
x 1

G



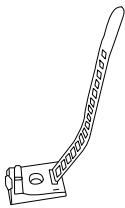
x 1

H



x 8

I



x 3

J



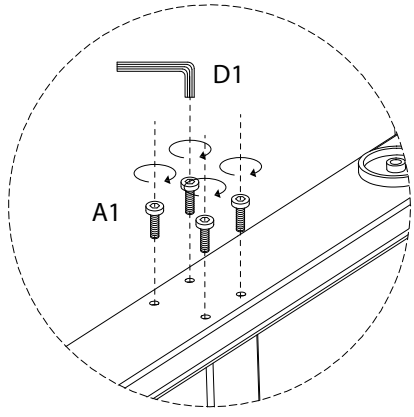
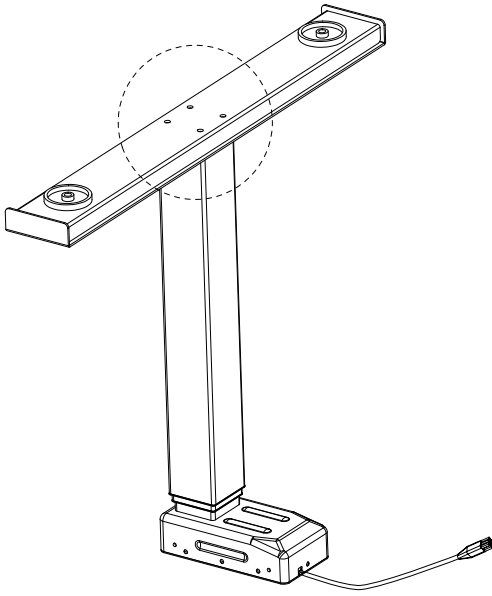
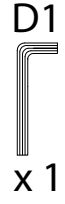
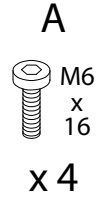
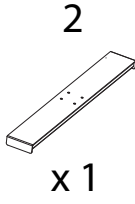
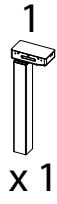
x 1

K

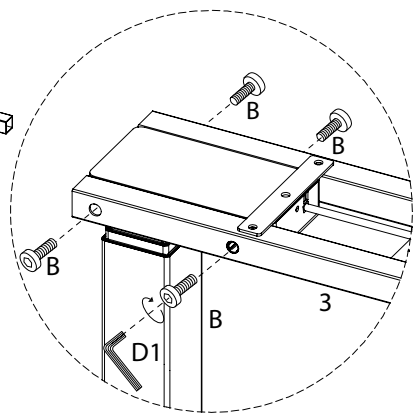
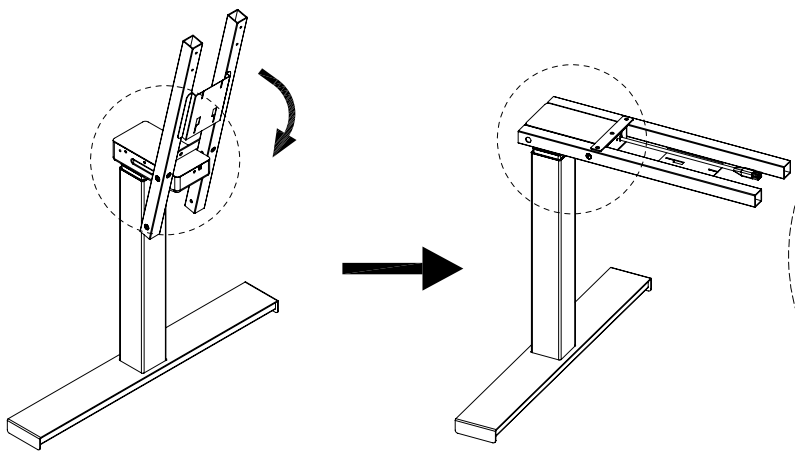
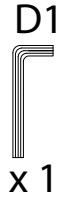
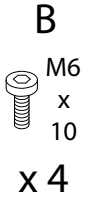
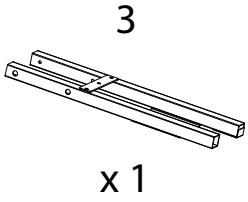


x 1

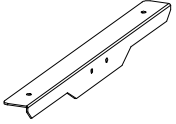


1 x 2

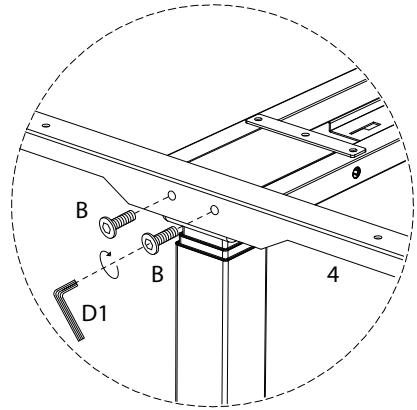
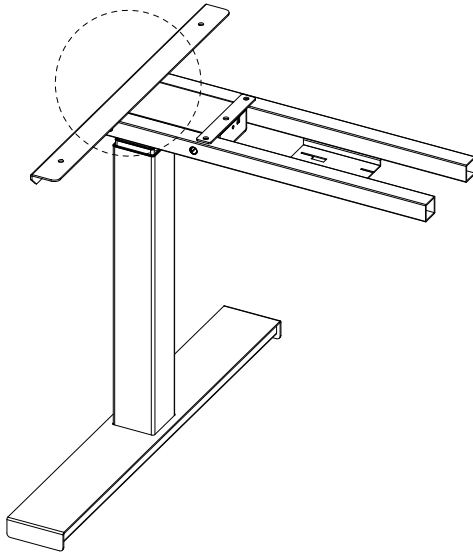


2 x 2

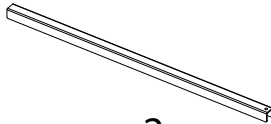


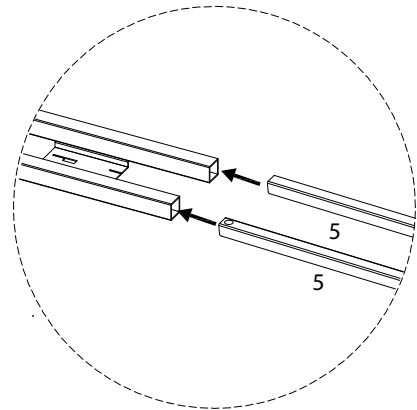
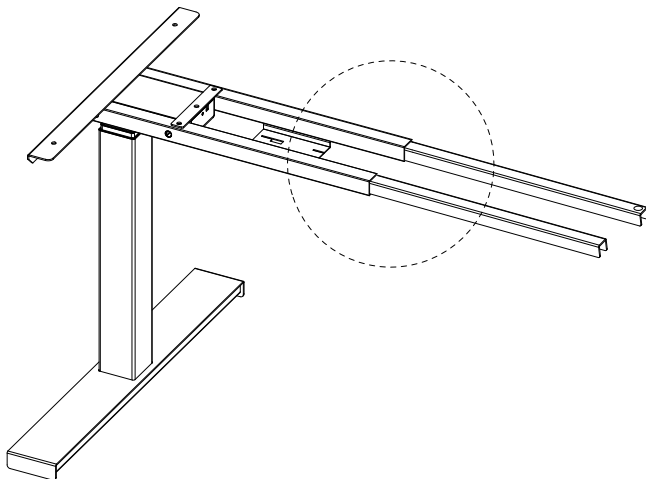
3 x 2

<p>4</p>  <p>x 1</p>	<p>B</p>  <p>M6 x 10</p> <p>x 2</p>	<p>D1</p>  <p>x 1</p>
-------------------------------------------------------------------------------------------------------	------------------------------------------------------------------------------------------------------------------------------	----------------------------------------------------------------------------------------------------------



4

<p>5</p>  <p>x 2</p>



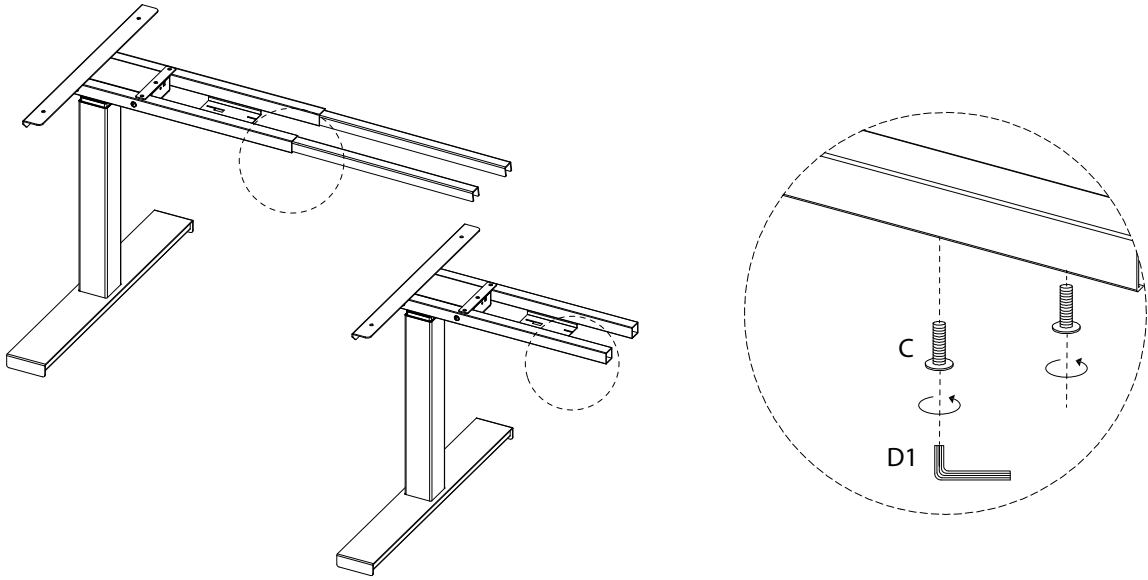
5

C

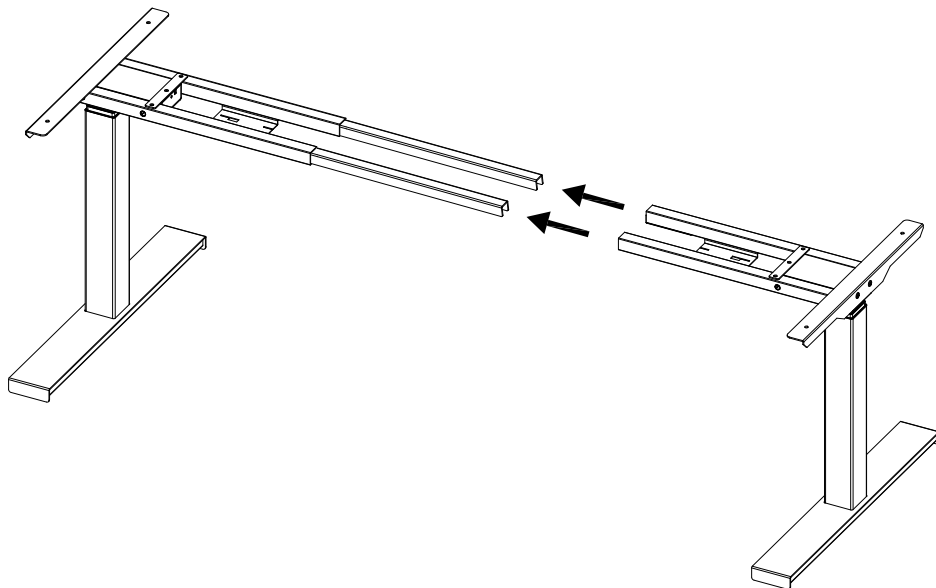
M6
x
28
x 4

D1

x 1



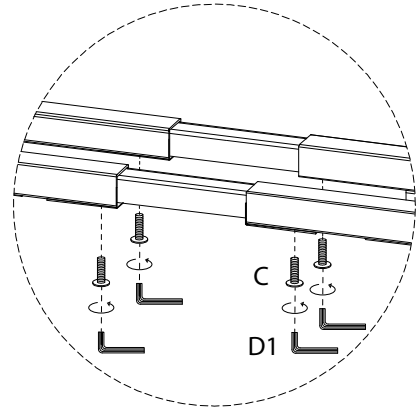
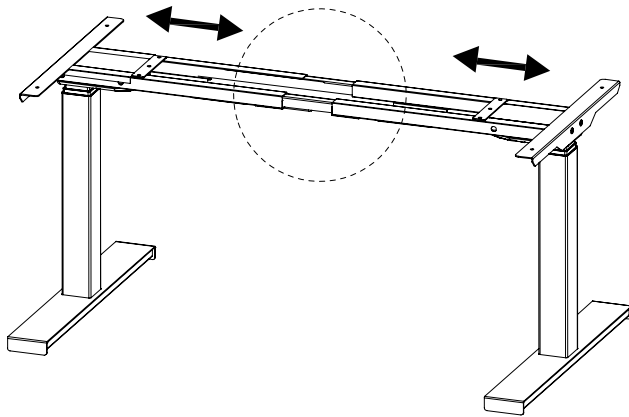
6



7

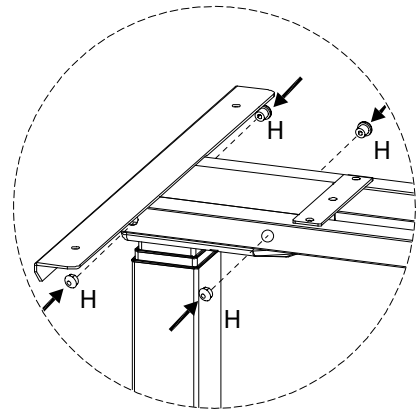
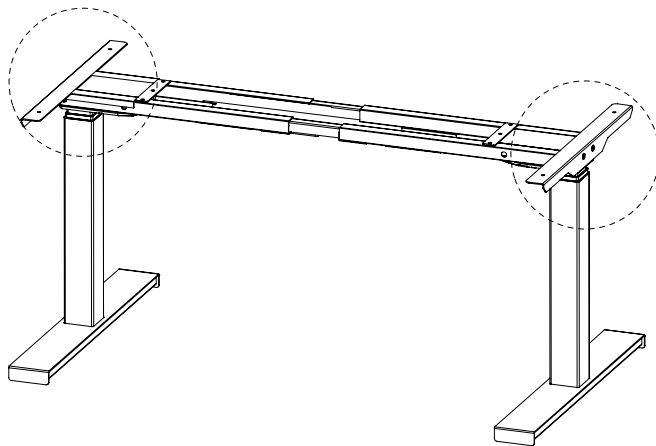
C
M6
x
28
x 4

D1
x 1

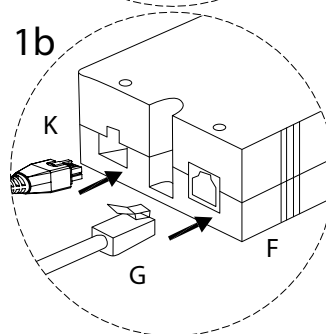
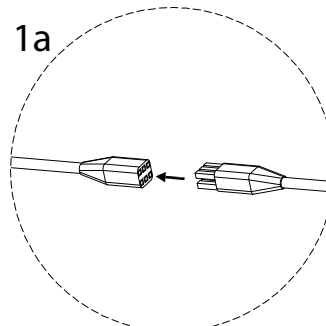
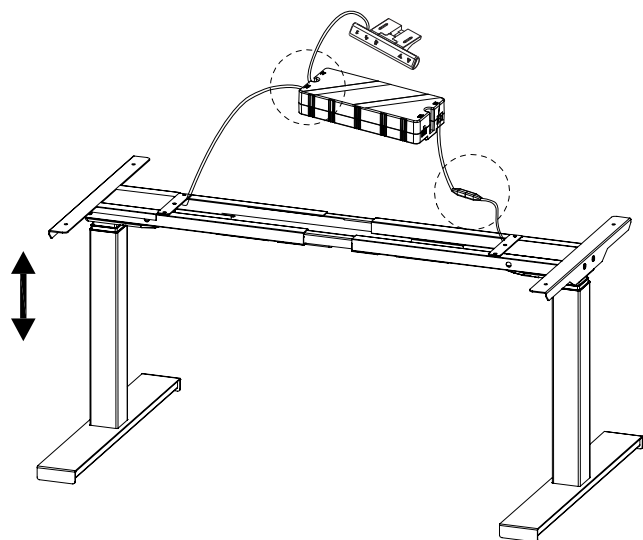
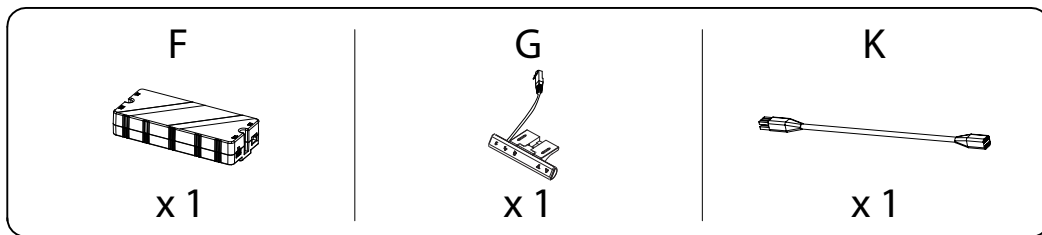


8

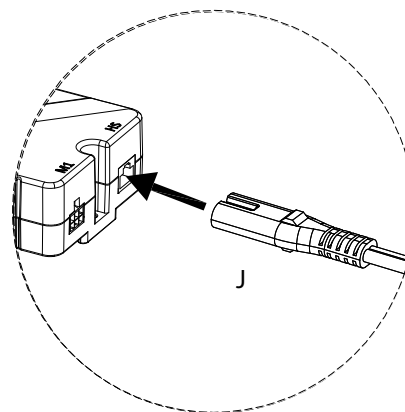
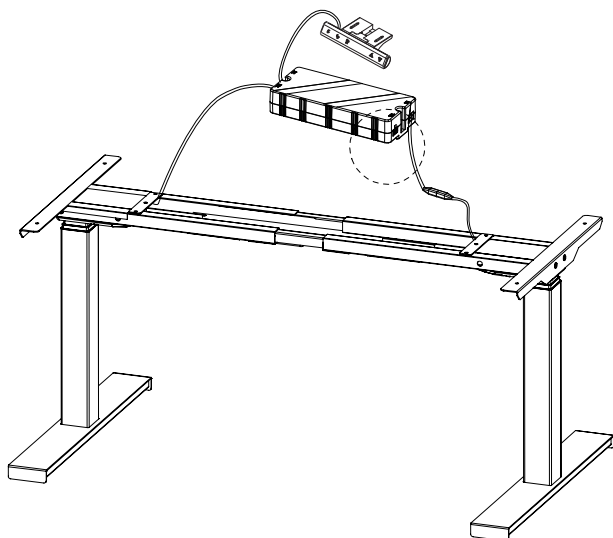
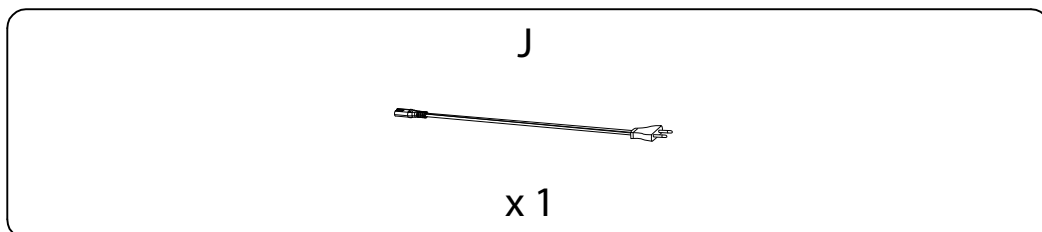
H
x 8



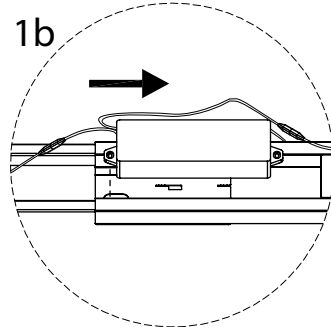
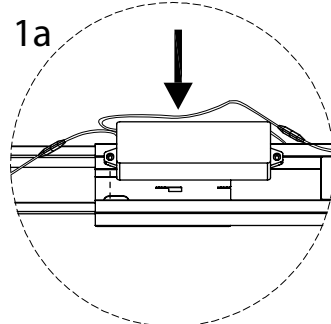
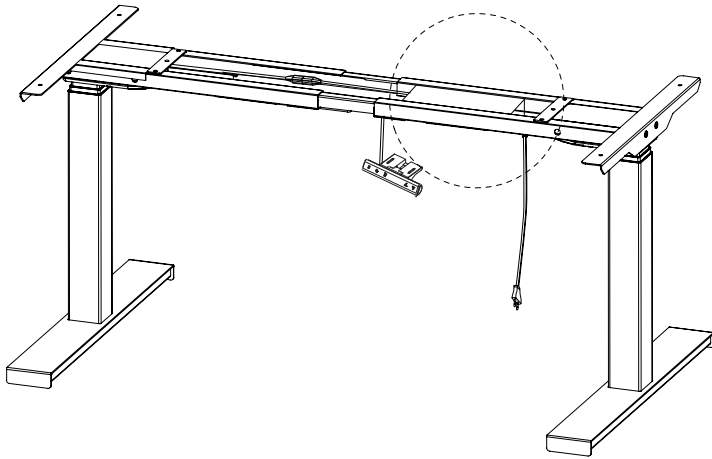
9



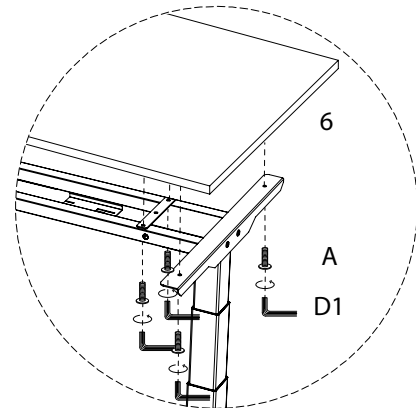
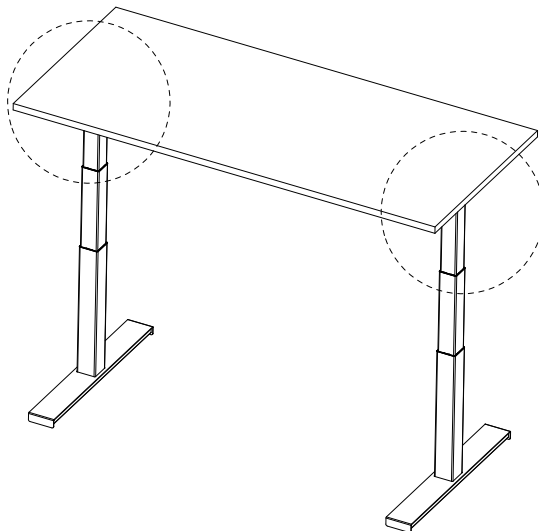
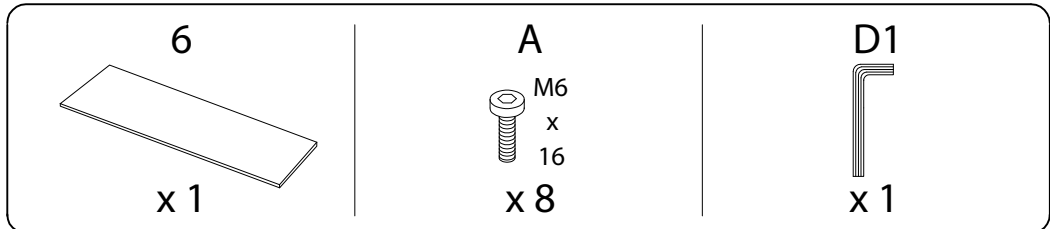
10



11

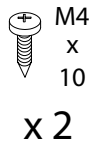


12

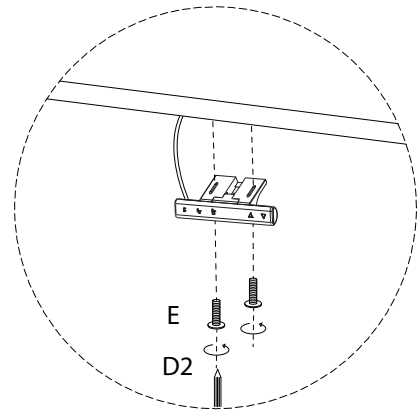
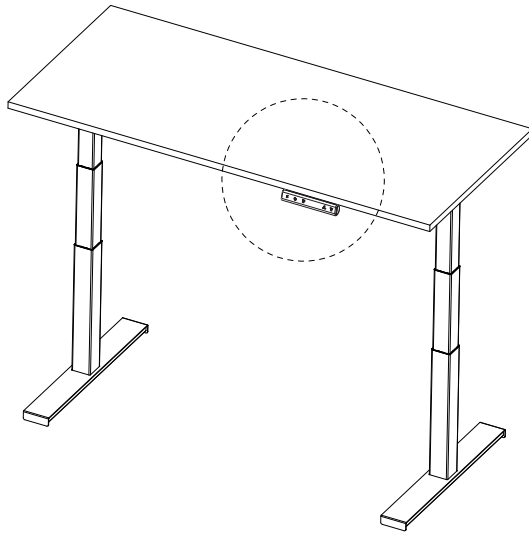


13

E



D2



14

I

