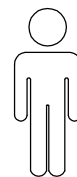
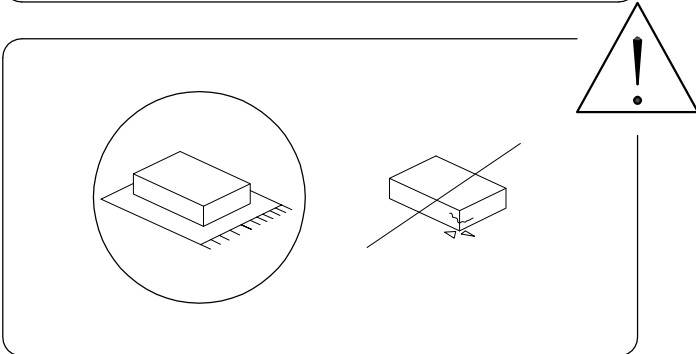
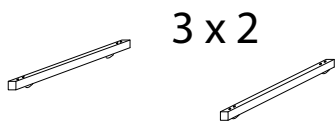
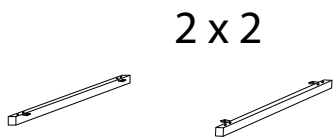
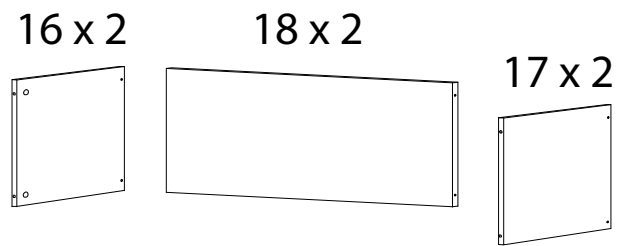
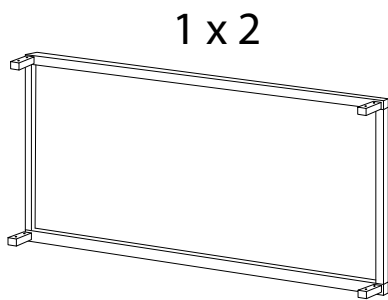
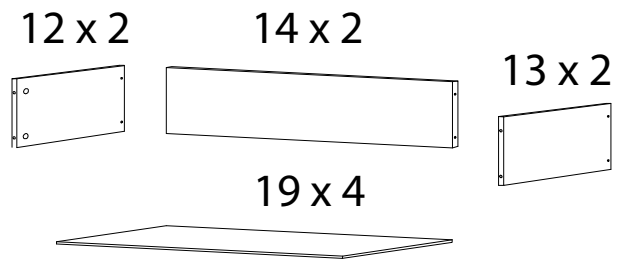
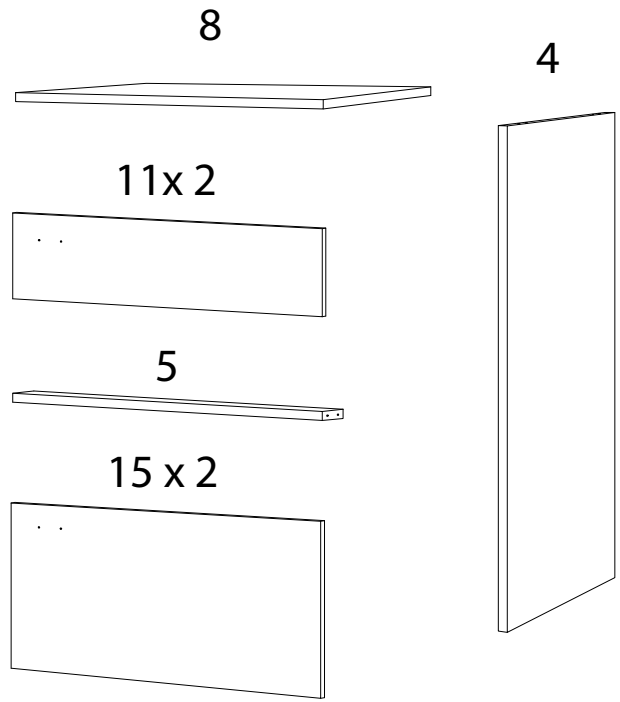
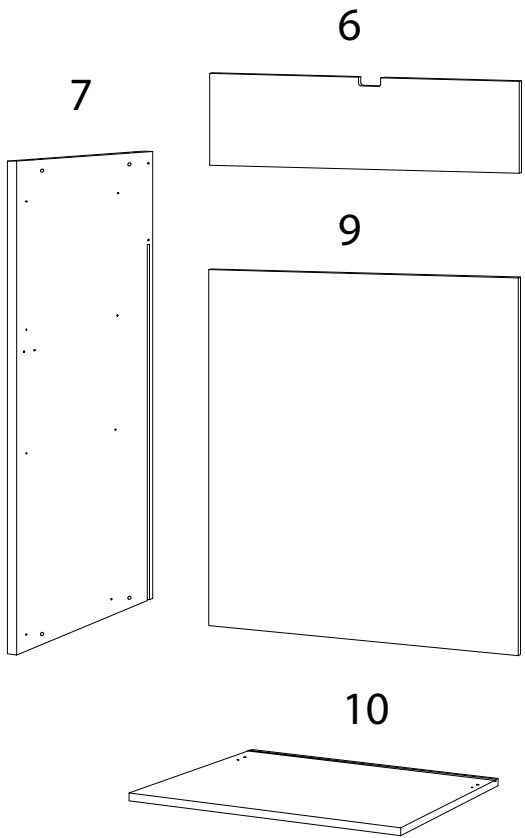
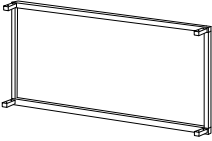










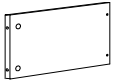


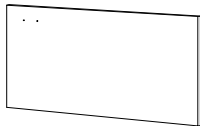
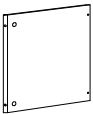
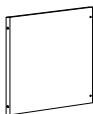




120'

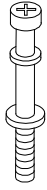


2



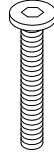
<p>1</p>  <p>x 2</p>	<p>2</p>  <p>x 2</p>	<p>3</p>  <p>x 2</p>	
<p>4</p>  <p>x 1</p>	<p>5</p>  <p>x 1</p>	<p>6</p>  <p>x 1</p>	<p>7</p>  <p>x 1</p>
<p>8</p>  <p>x 1</p>	<p>9</p>  <p>x 1</p>	<p>10</p>  <p>x 1</p>	<p>11</p>  <p>x 2</p>
<p>12</p>  <p>x 2</p>	<p>13</p>  <p>x 2</p>	<p>14</p>  <p>x 2</p>	<p>15</p>  <p>x 2</p>
<p>16</p>  <p>x 2</p>	<p>17</p>  <p>x 2</p>	<p>18</p>  <p>x 2</p>	<p>19</p>  <p>x 4</p>

A



x 34

B



x 16

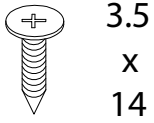
C



Ø8
x
30

x 8

D



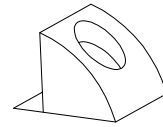
x 32

E



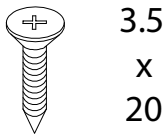
x 40

F



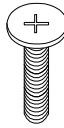
x 4

G



x 4

H



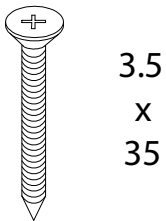
x 8

I



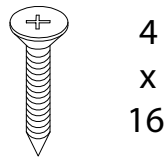
x 4

J



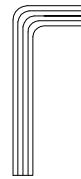
x 16

K



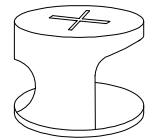
x 4

L



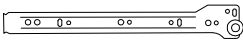
x 1

M



x 34

N



x 4

O



x 4

P



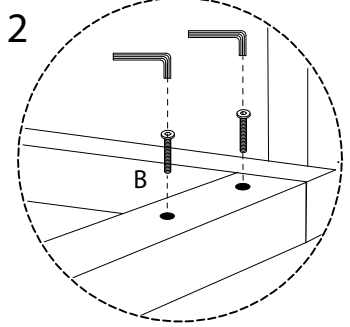
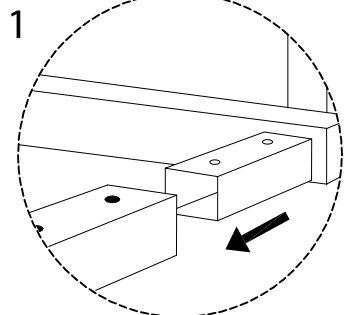
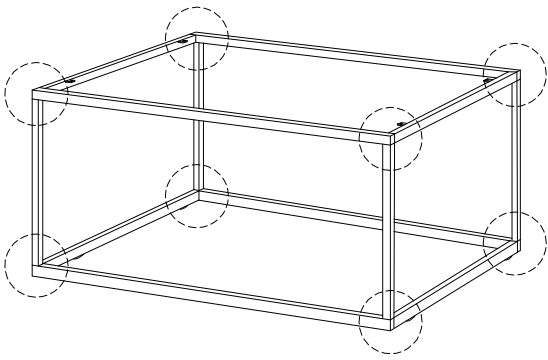
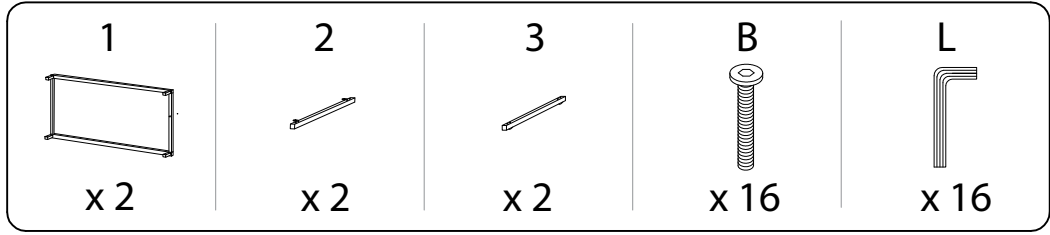
x 4

Q

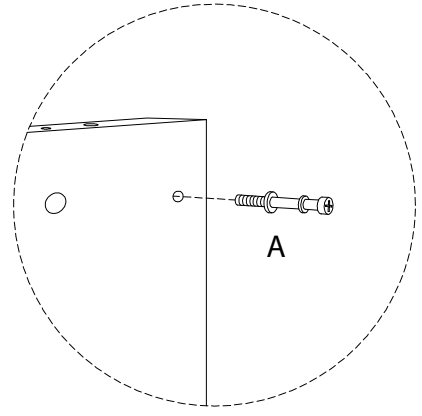
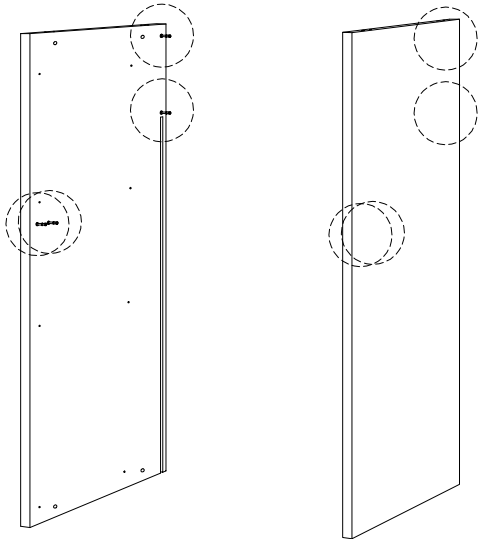
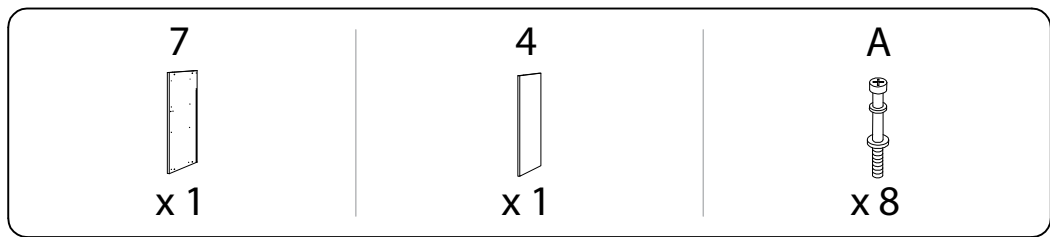


x 4

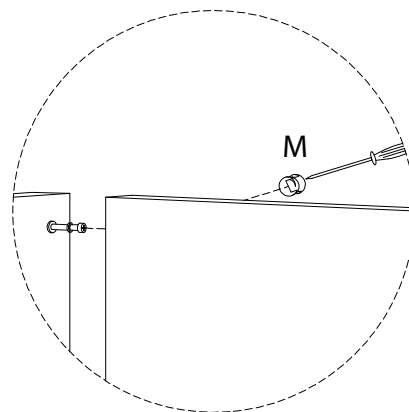
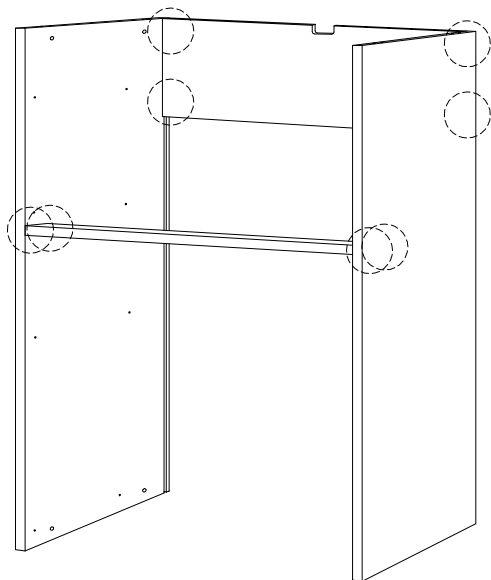
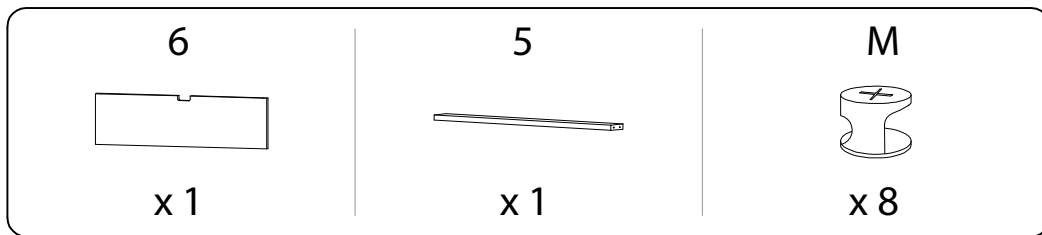
1



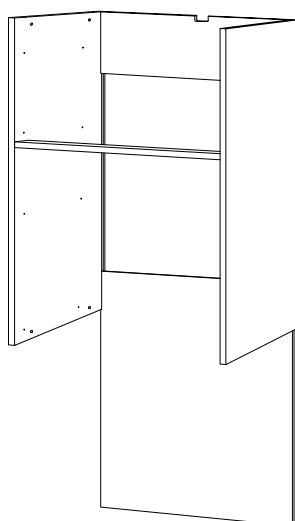
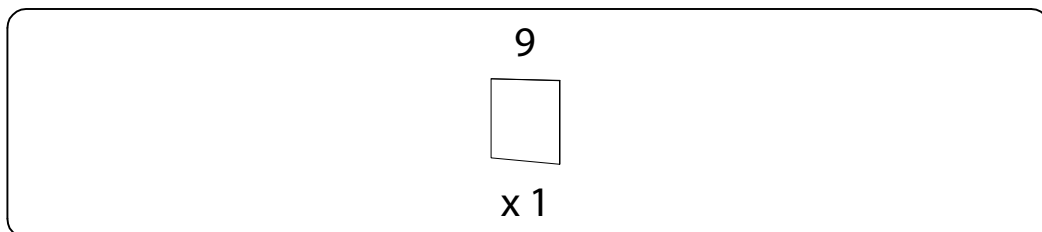
2



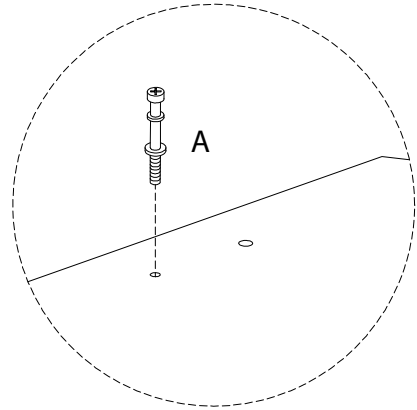
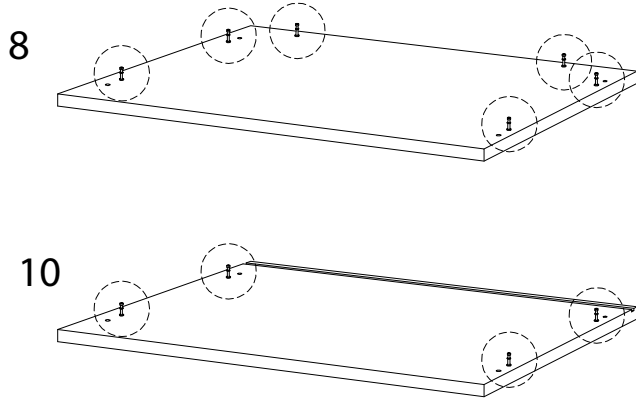
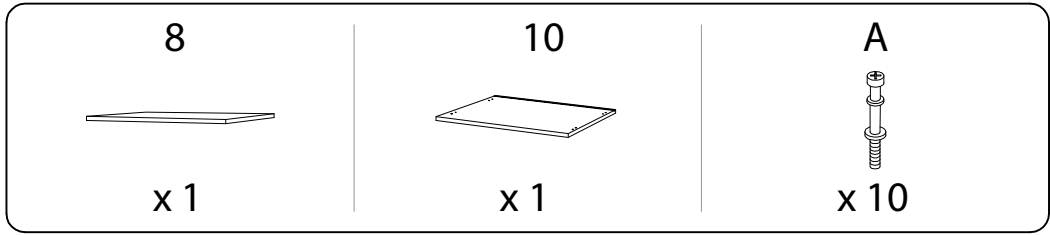
3



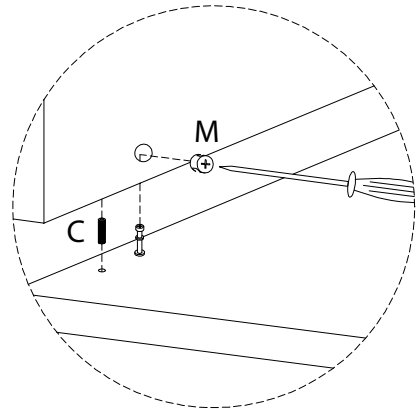
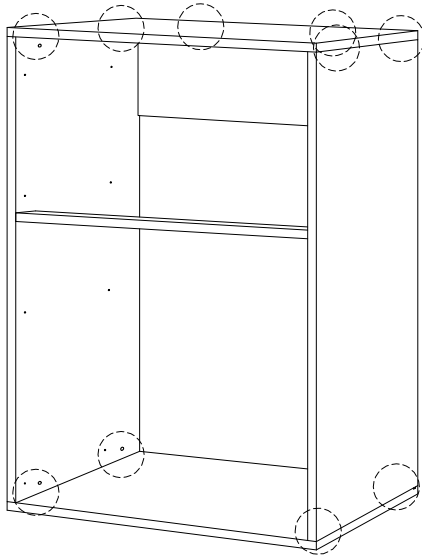
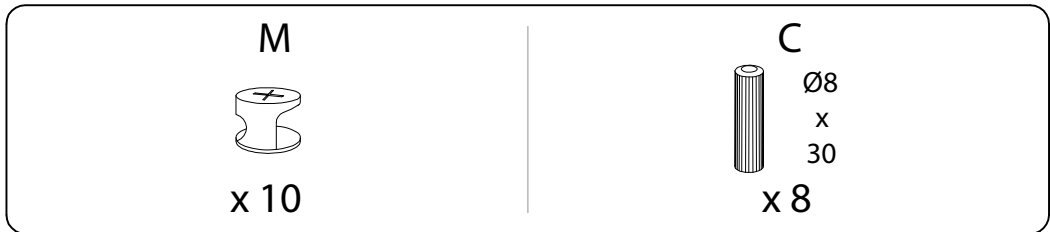
4



5

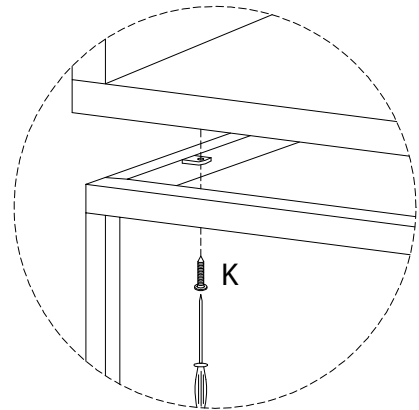
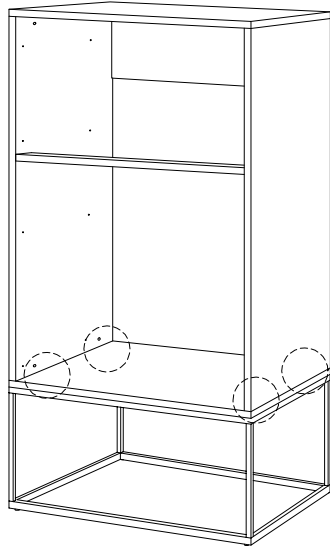


6



7

K
4
x
16
x 4

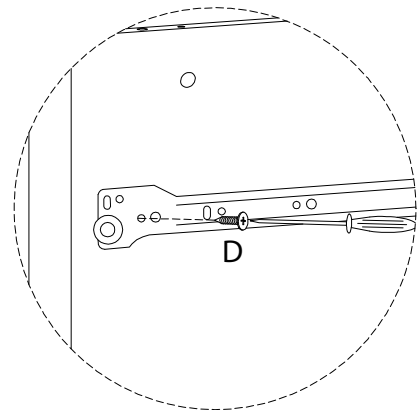
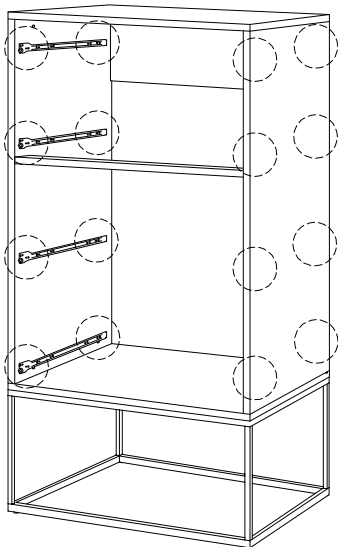


8

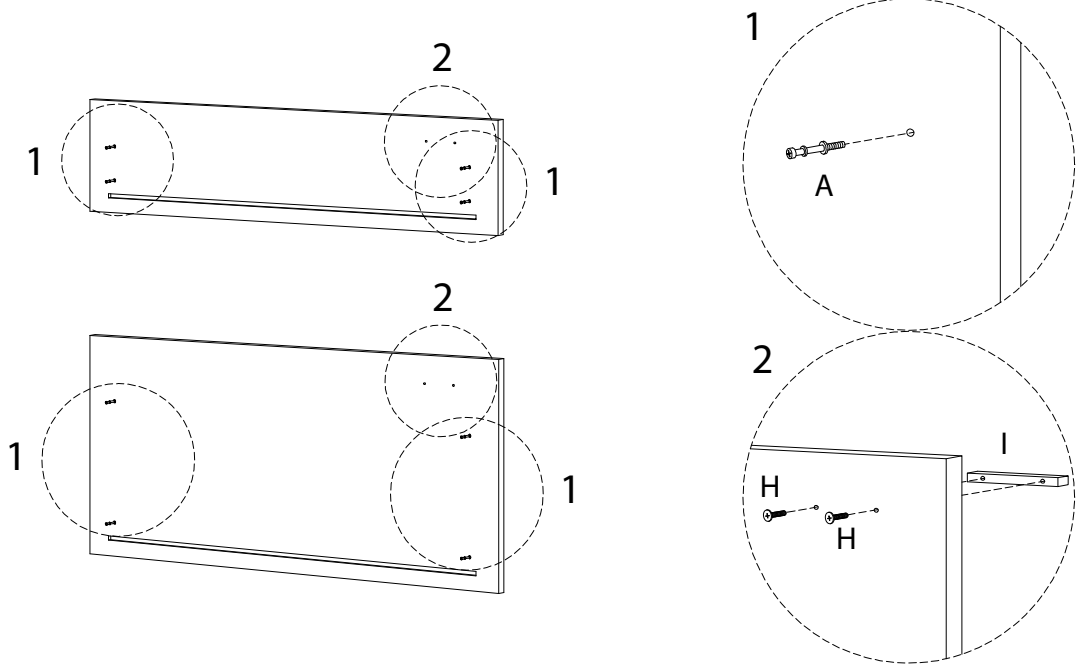
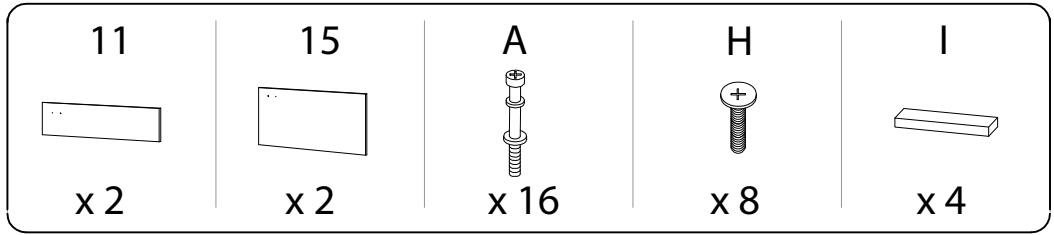
D
3.5
x
14
x 16

N
x 4

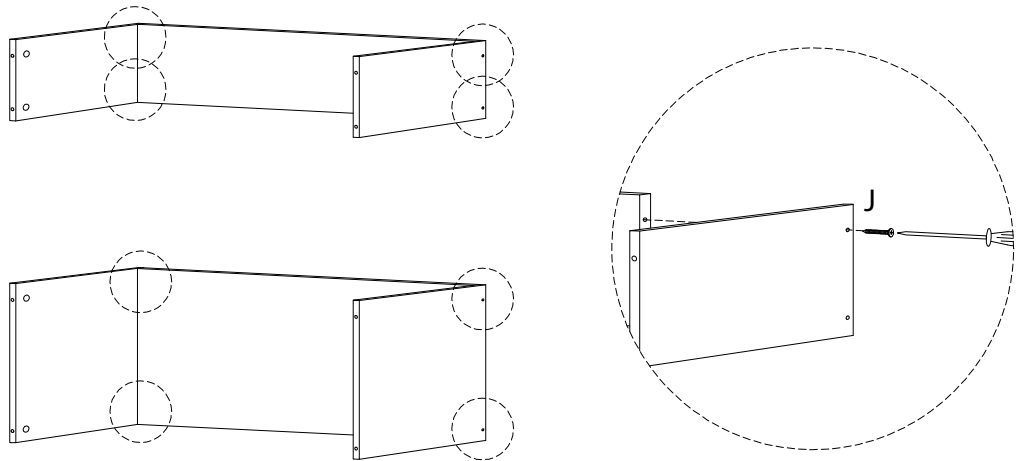
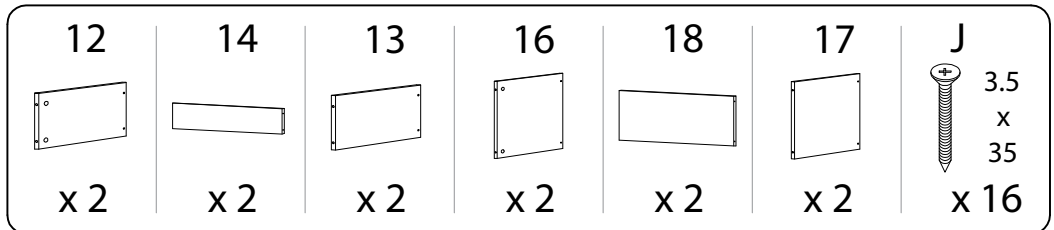
P
x 4



9

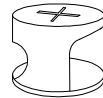


10

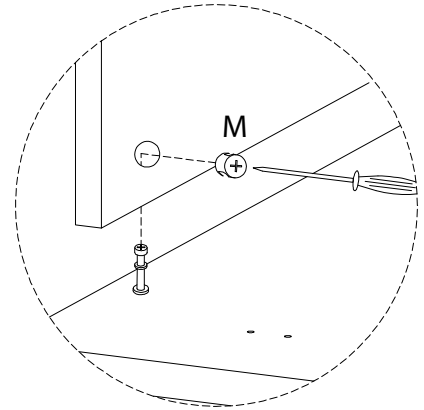
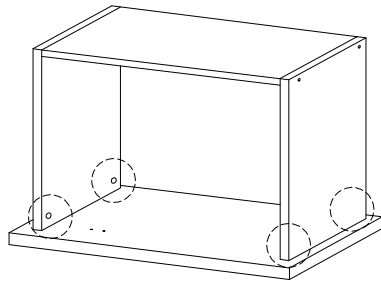
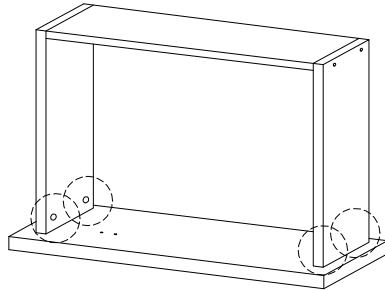


11

M



x 16



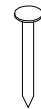
12

19

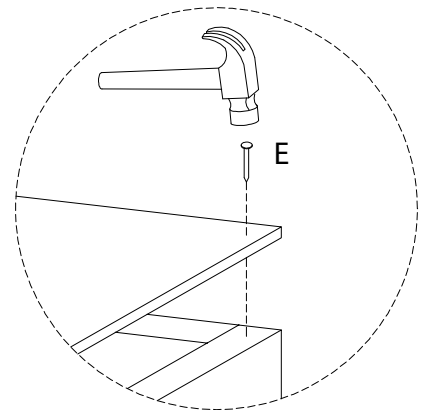
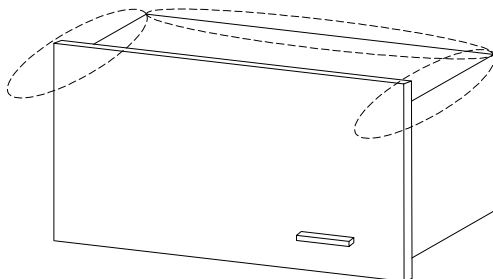
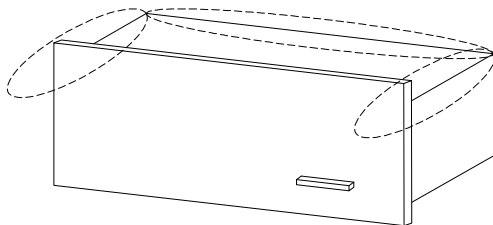


x 4

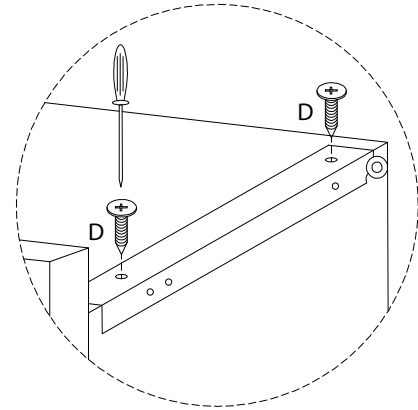
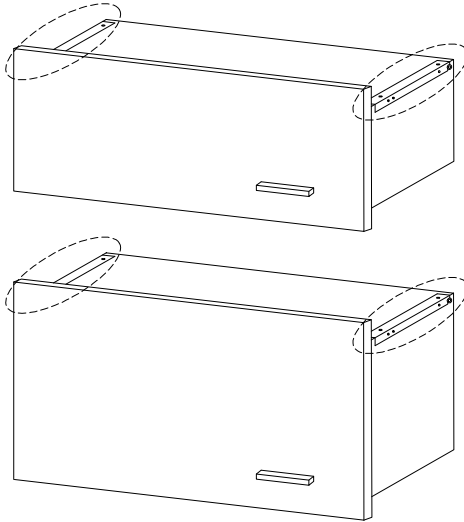
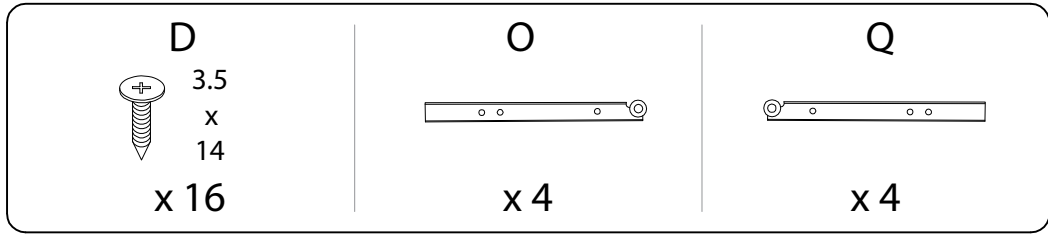
E



x 40



13



14

