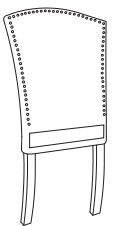


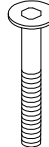
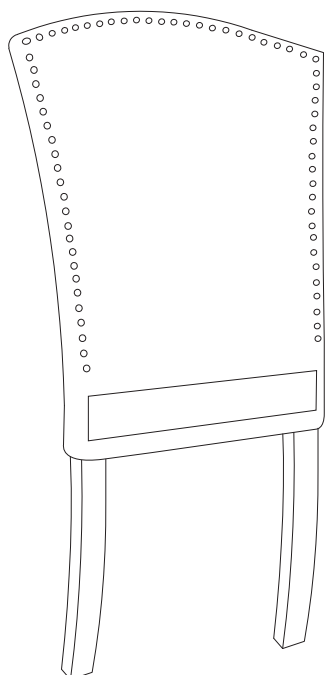


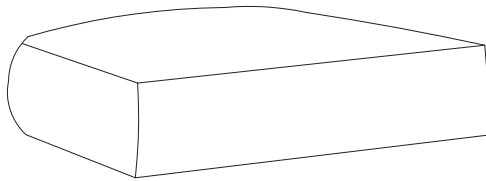
10'

1

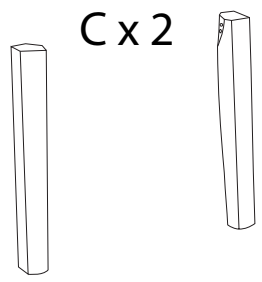
<p>A</p>  <p>x 1</p>	<p>B</p>  <p>x 1</p>	<p>C</p>  <p>x 2</p>	<p>D</p>  <p>M8 x 55</p> <p>x 5</p>
---	---	---	--



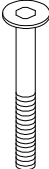


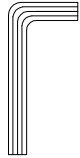
A



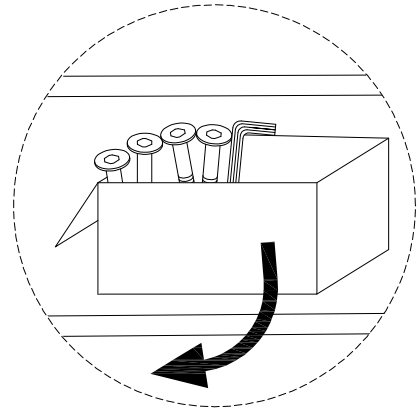
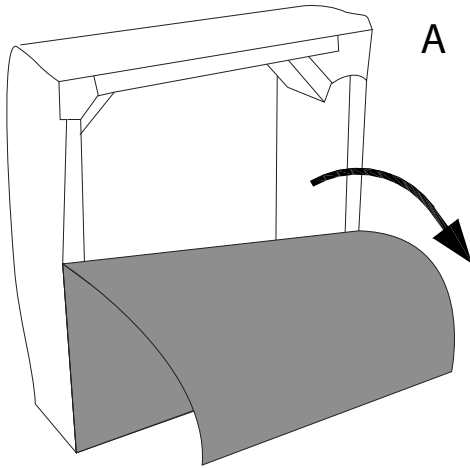
B





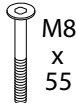


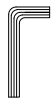
C x 2

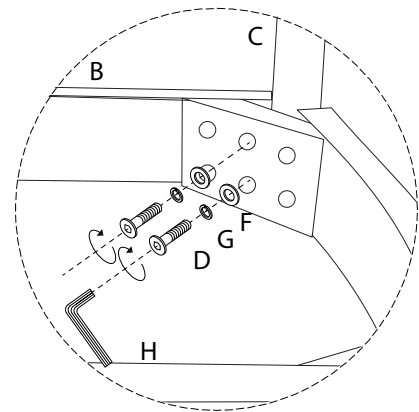
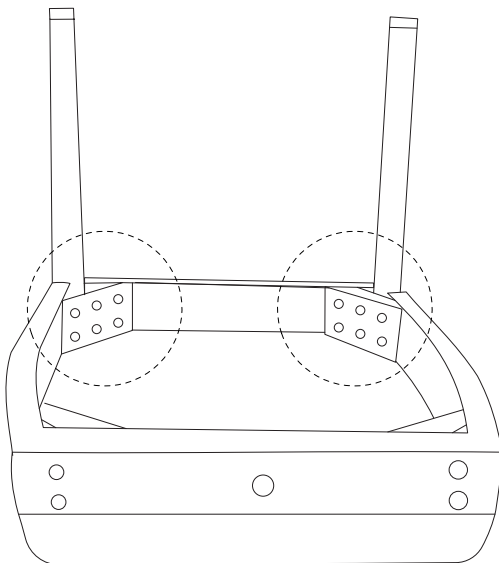
<p>E</p>  <p>M8 x 70</p> <p>x 4</p>	<p>F</p>  <p>x 9</p>	<p>G</p>  <p>x 9</p>	<p>H</p>  <p>x 1</p>
--	---	--	---

!


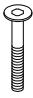


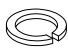
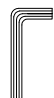


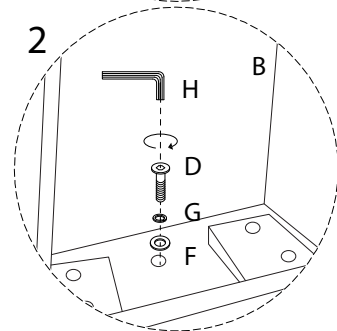
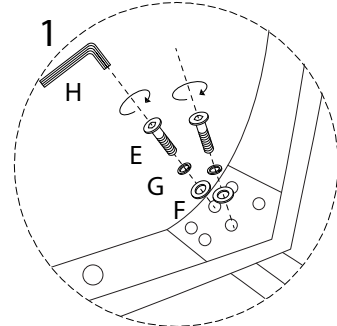
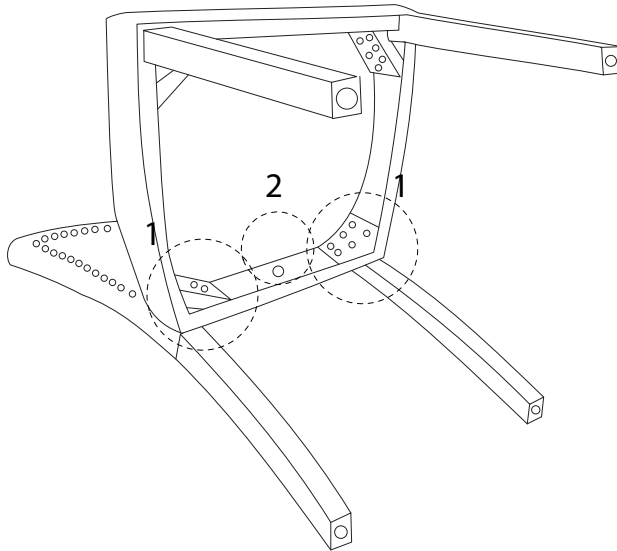
1

B	C	D	F	G	H
					
x 1	x 2	x 4	x 5	x 5	x 1



2

A  x 1	D  M8 x 55 x 1	E  M8 x 70 x 4	F  x 5	G  x 5	H  x 1
--	--	--	---	--	--



!

