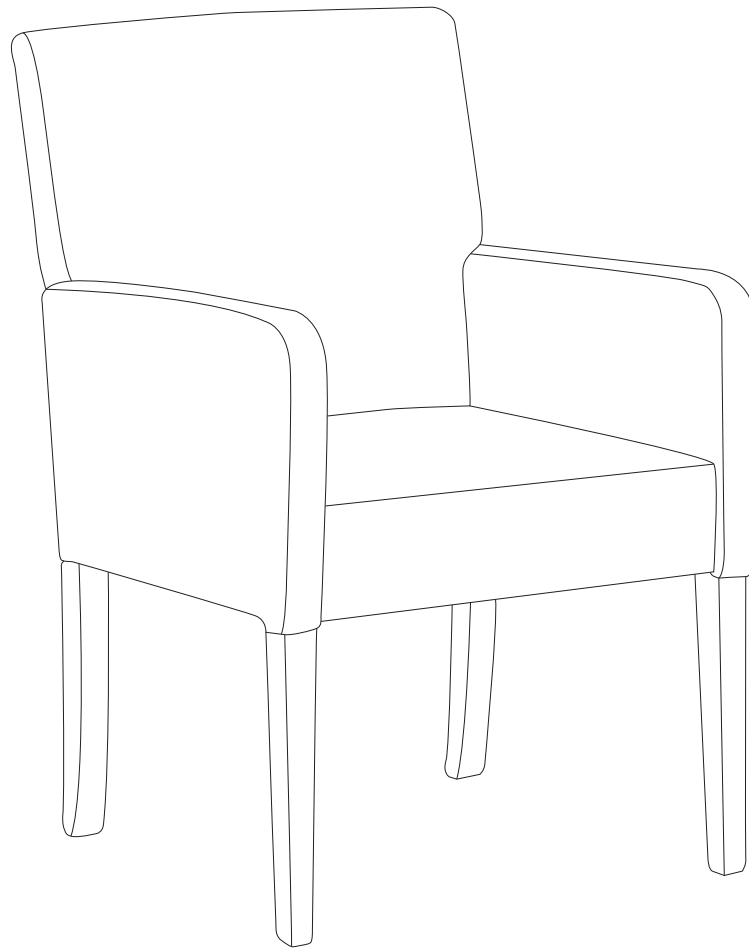
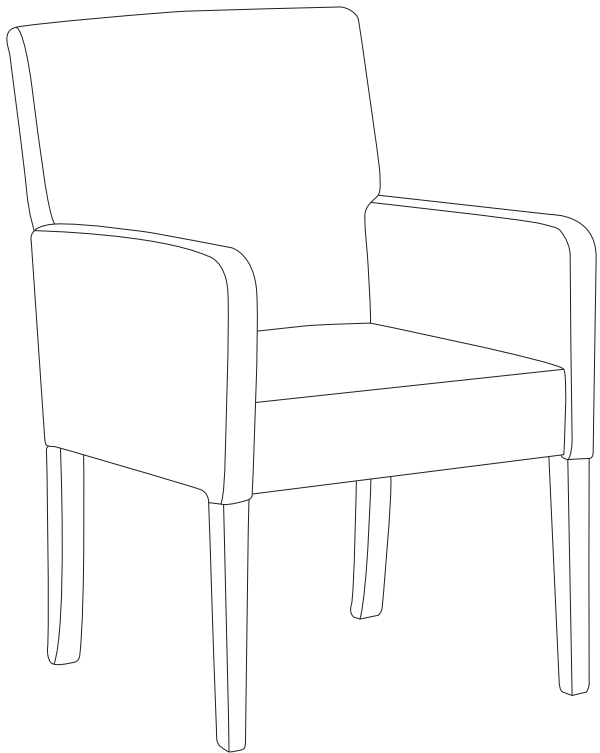
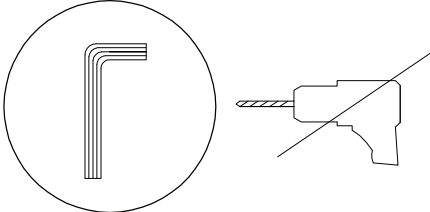

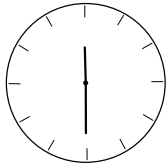
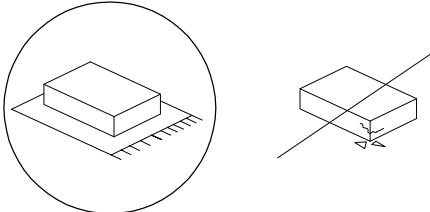


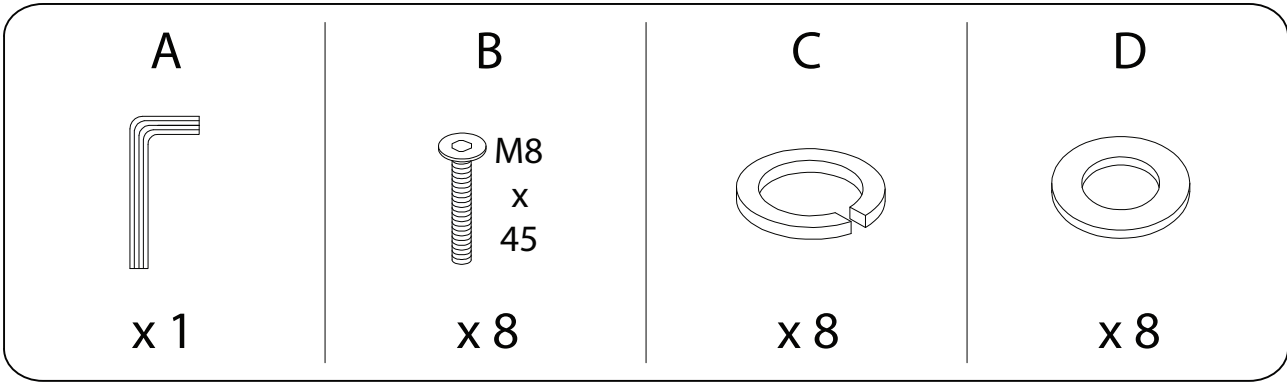
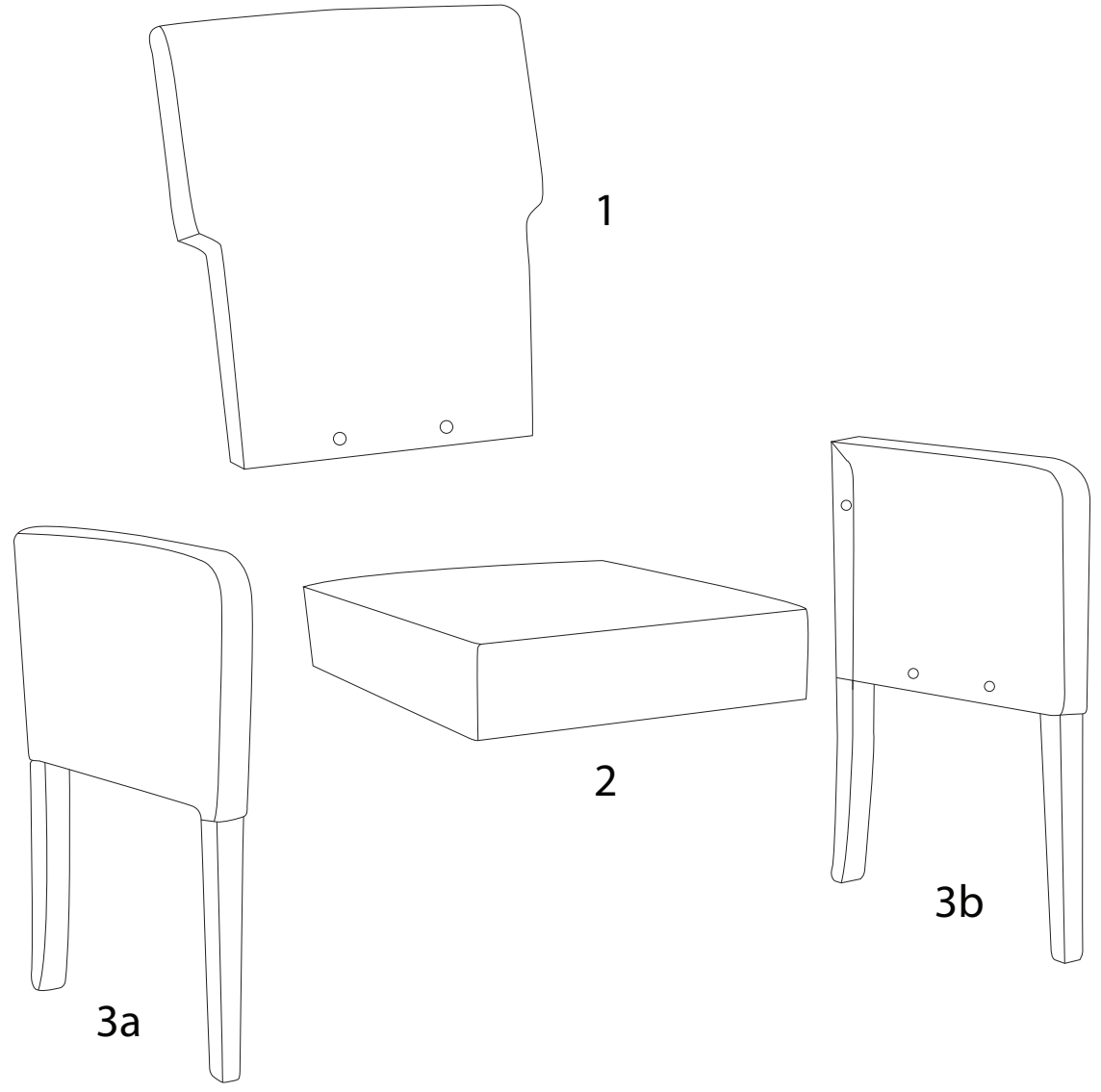
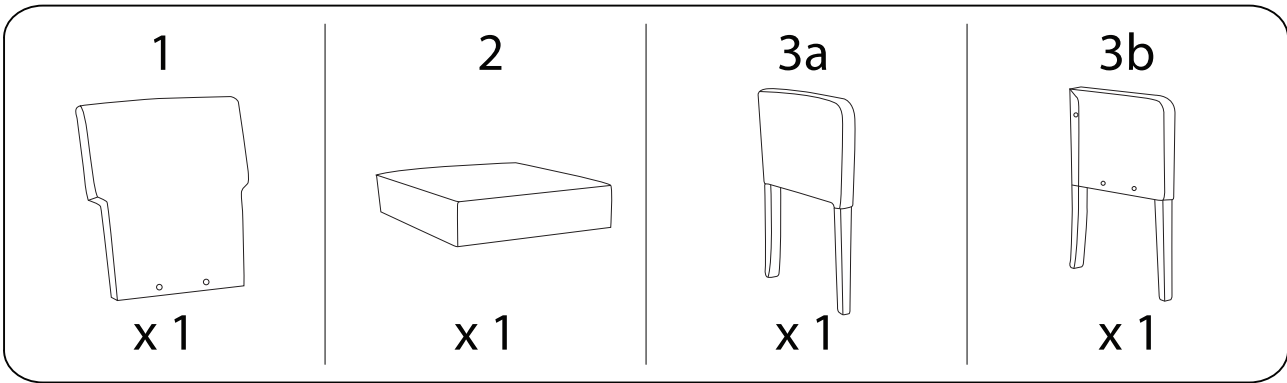


ROCKEFELLER

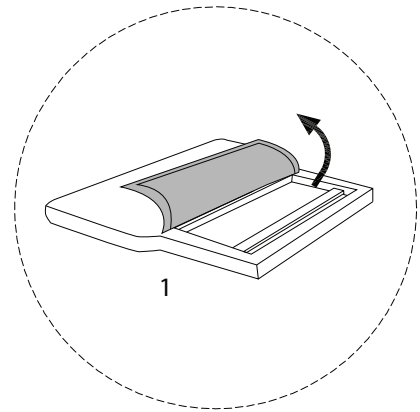
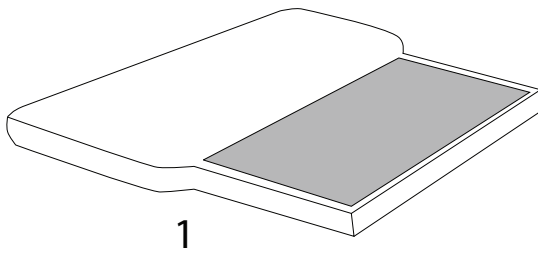




		
		30'
		
		1

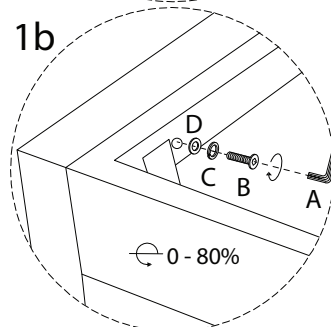
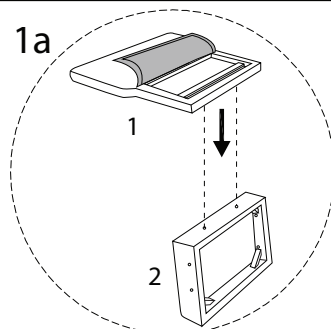
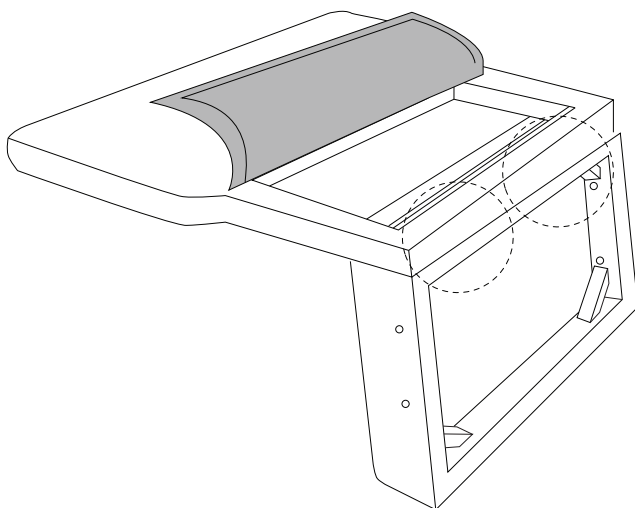


!

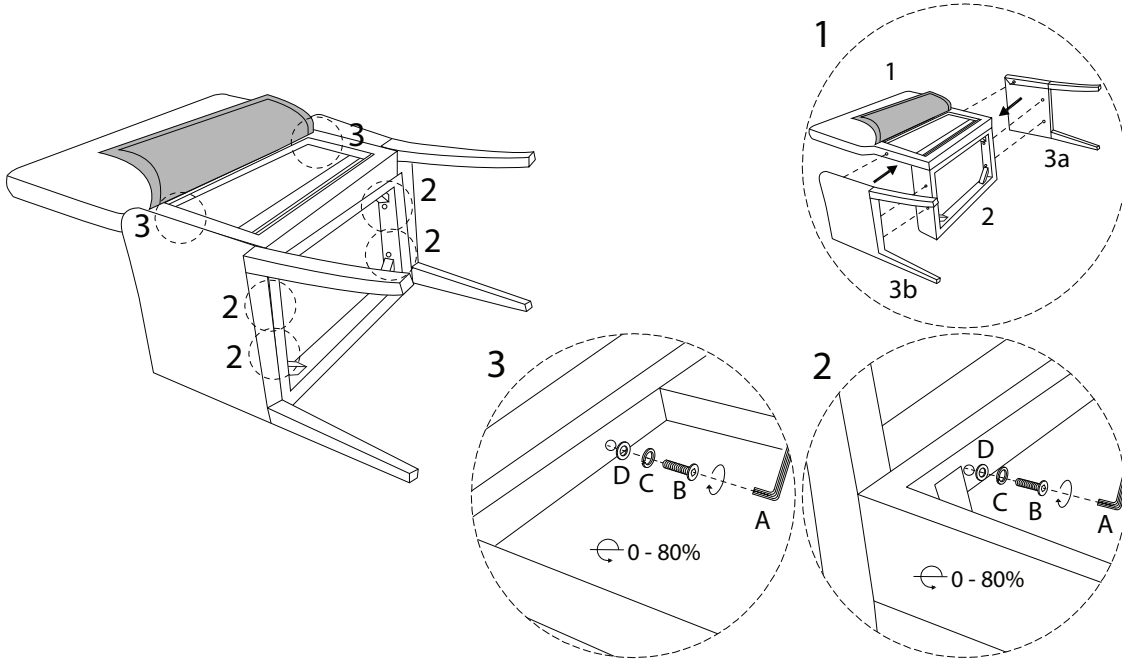
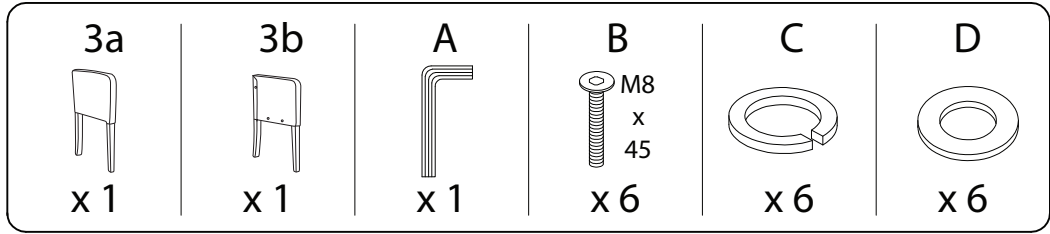


1

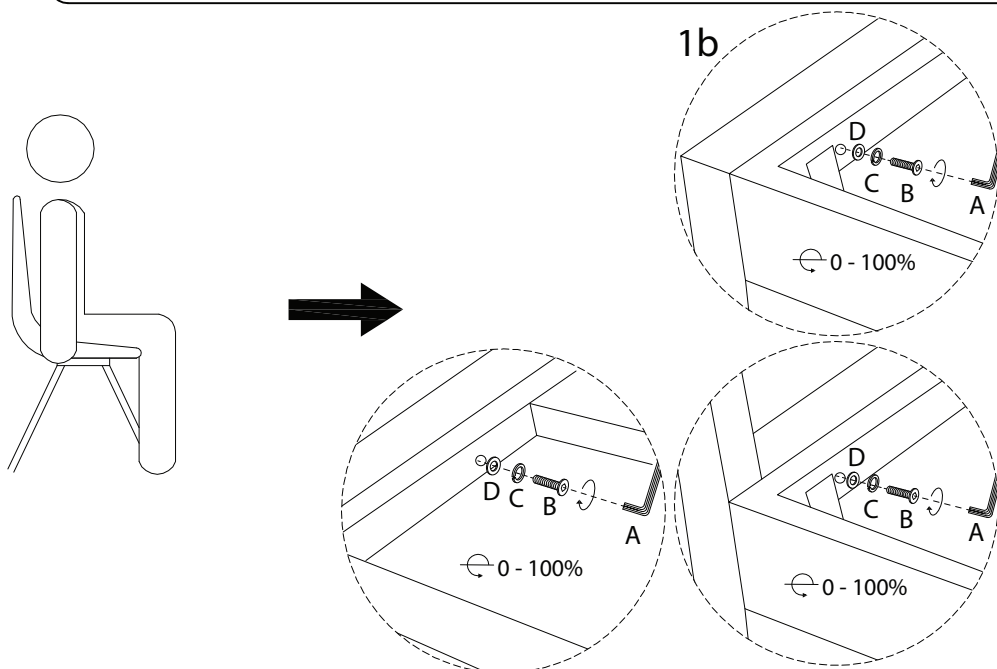
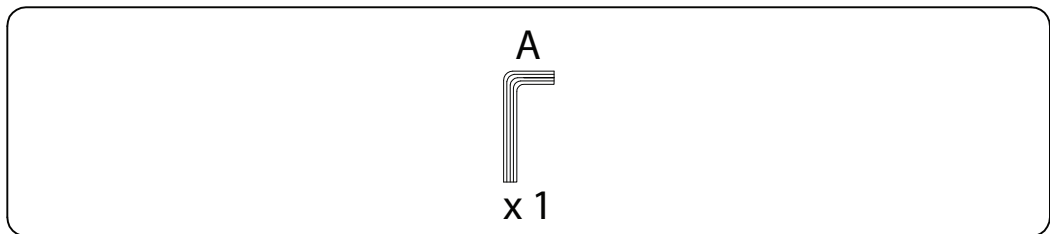
<p>1 x 1</p>	<p>2 x 1</p>	<p>A x 1</p>	<p>B M8 x 45 x 2</p>	<p>C x 2</p>	<p>D x 2</p>
------------------	------------------	------------------	--------------------------------------	------------------	------------------



2



3



!

