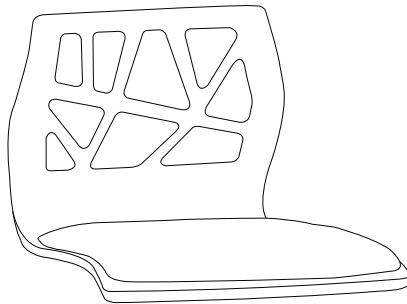
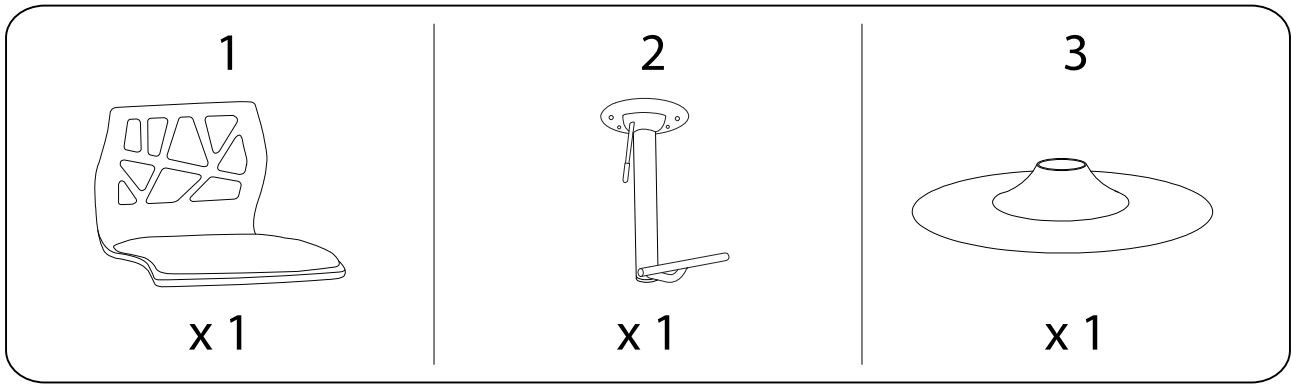
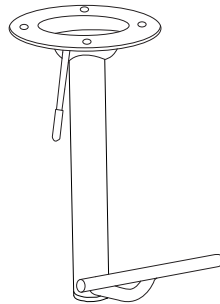


1/4



1 x 1



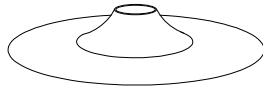
2 x 1



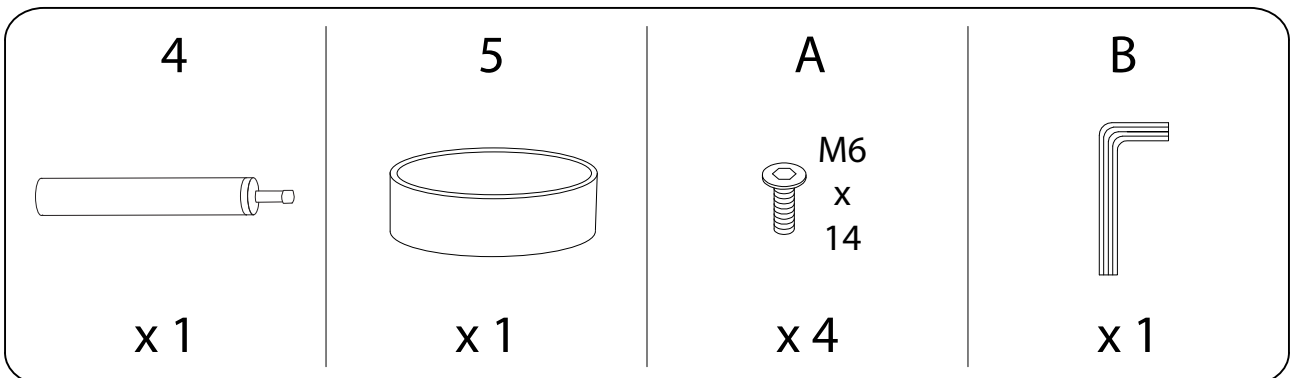
4 x 1



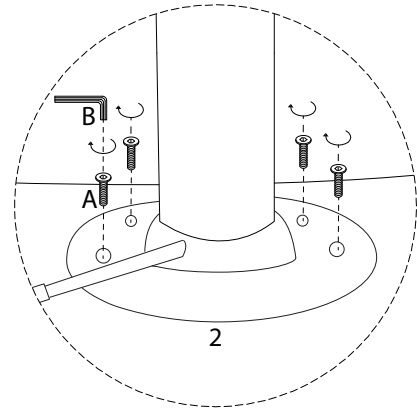
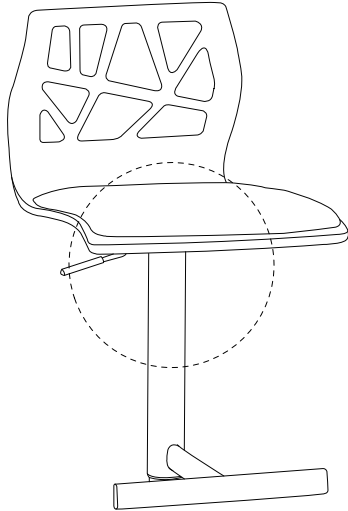
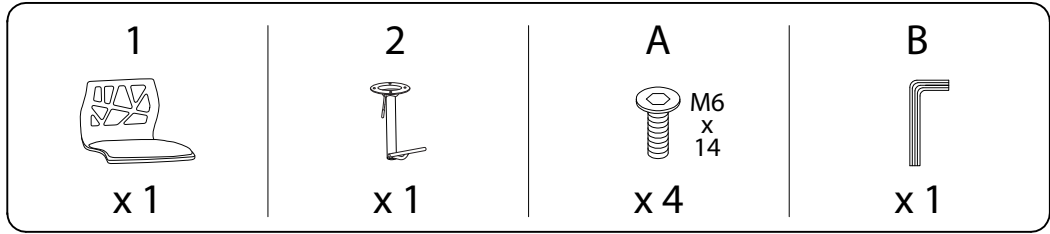
5 x 1



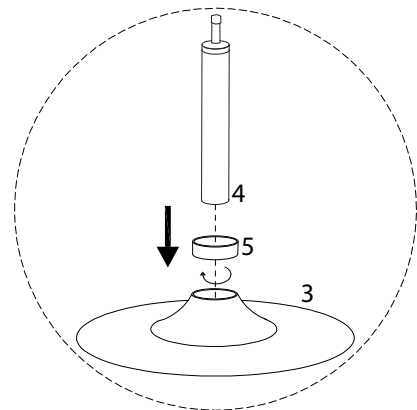
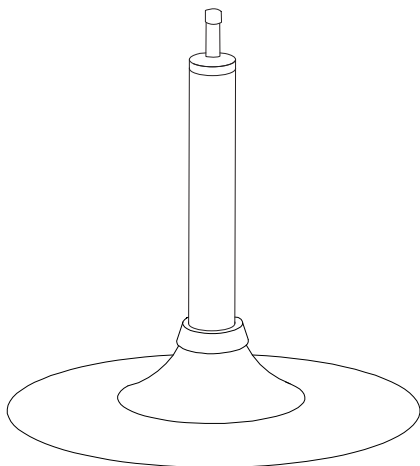
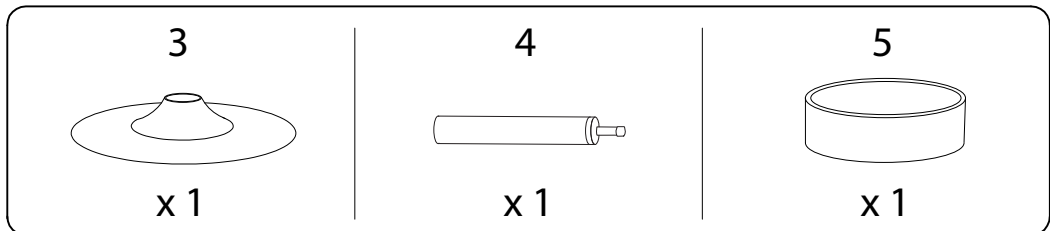
3 x 1



1



2



3

