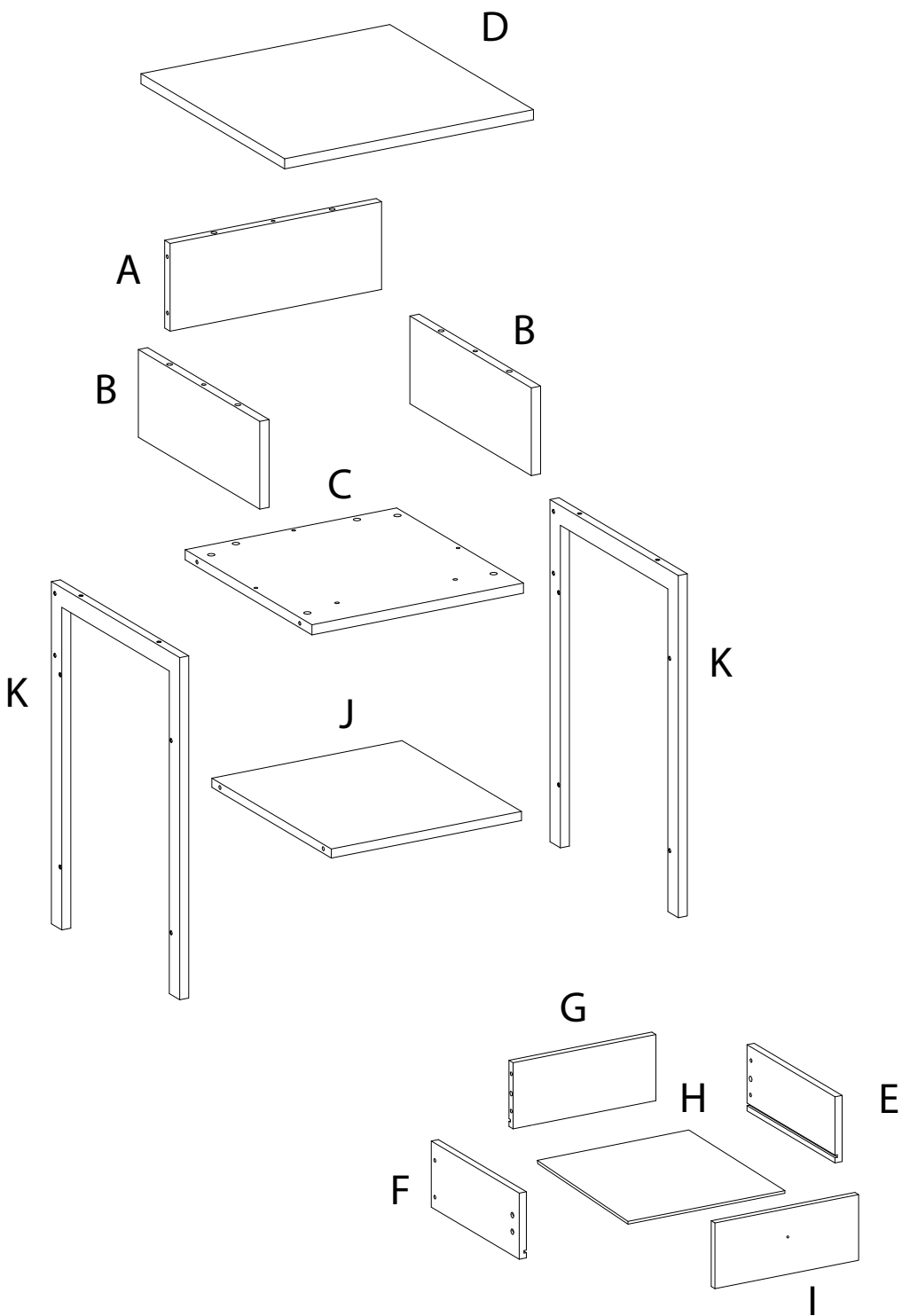
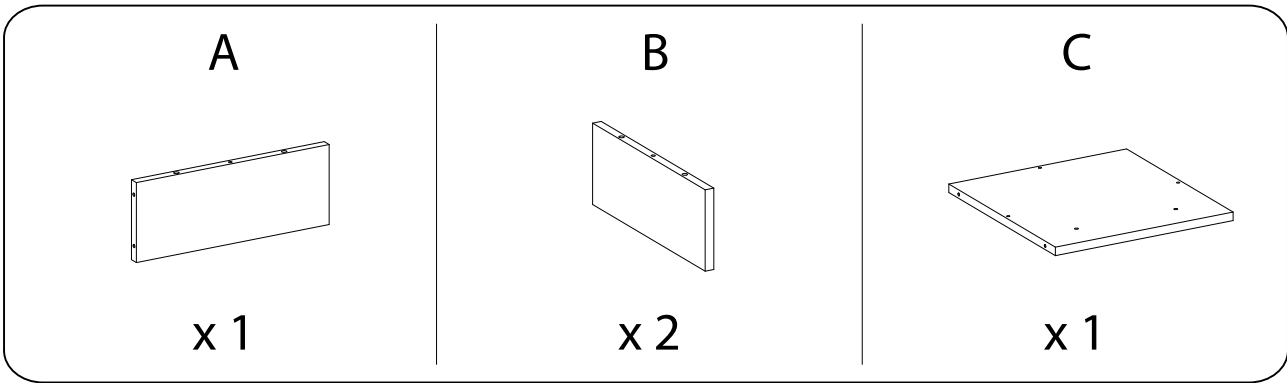
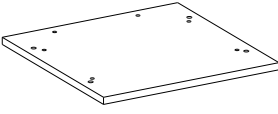
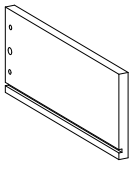
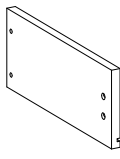
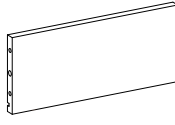
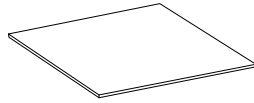
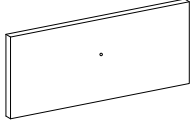
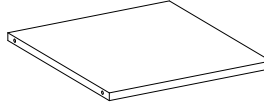

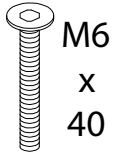
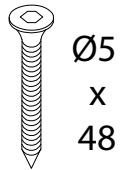
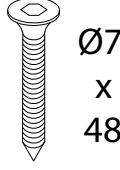
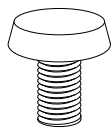
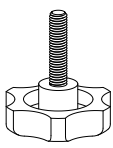

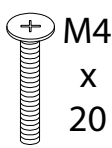

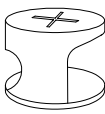
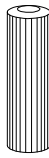
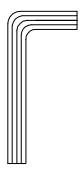
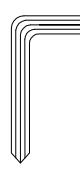


Assembly instructions for step 1/11:

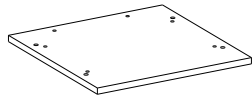
- Tools:** A circle containing a screwdriver and an L-shaped hex key. A power drill is shown with a diagonal line through it, indicating it should not be used.
- Warning:** A triangle with an exclamation mark.
- Time:** A clock icon with the text "30'" below it, indicating a 30-minute assembly time.
- Personnel:** A stick figure icon with the number "1" below it, indicating that one person is required for assembly.
- Diagram:** A circle showing a rectangular block being placed on a textured surface. A second diagram shows the block being pushed down, with a diagonal line through it, indicating that the block should not be pushed down.



<p>D</p>  <p>x 1</p>	<p>E</p>  <p>x 1</p>	<p>F</p>  <p>x 1</p>	<p>G</p>  <p>x 1</p>
<p>H</p>  <p>x 1</p>	<p>I</p>  <p>x 1</p>	<p>J</p>  <p>x 1</p>	<p>K</p>  <p>x 2</p>
<p>L</p>  <p>M6 x 40</p> <p>x 4</p>	<p>M</p>  <p>Ø5 x 48</p> <p>x 7</p>	<p>N</p>  <p>Ø7 x 48</p> <p>x 12</p>	<p>O</p>  <p>x 4</p>
<p>P</p>  <p>x 2</p>	<p>Q</p>  <p>x 1</p>	<p>R</p>  <p>M4 x 20</p> <p>x 1</p>	<p>S1</p>  <p>x 4</p>
<p>S2</p>  <p>x 4</p>	<p>T</p>  <p>x 16</p>	<p>U</p>  <p>x 1</p>	<p>V</p>  <p>x 1</p>

1

D

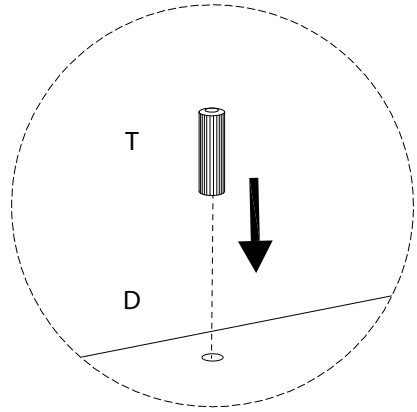
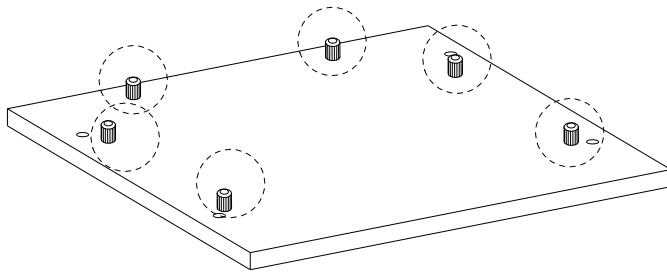


x1

T

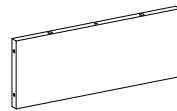


x6

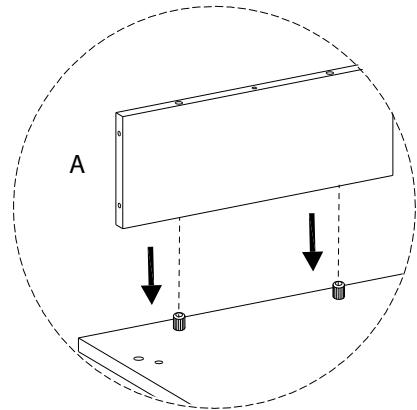
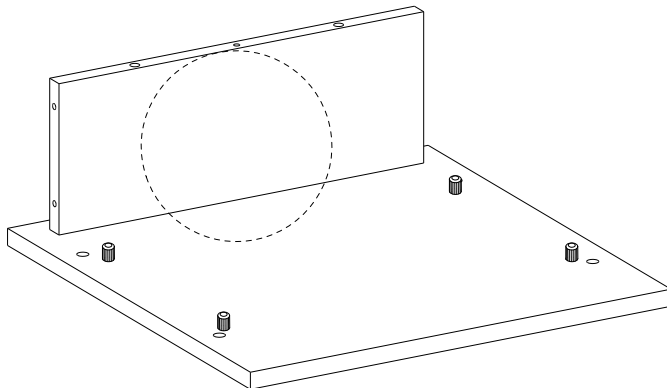


2

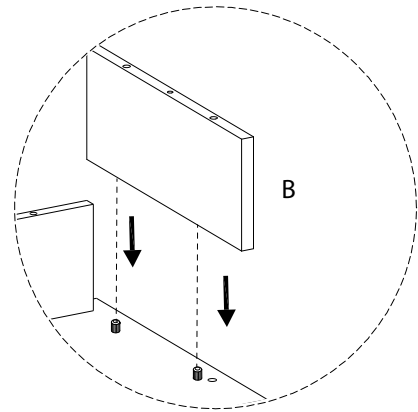
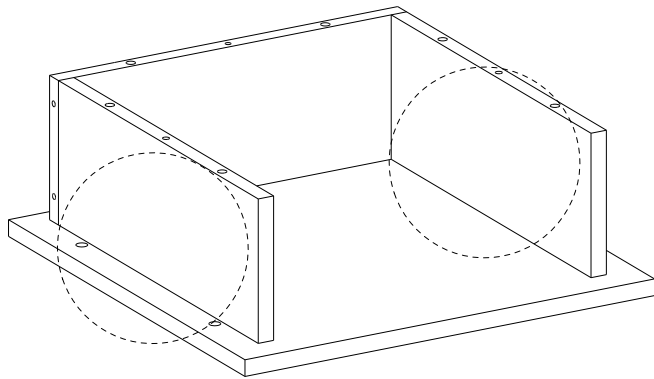
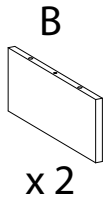
A



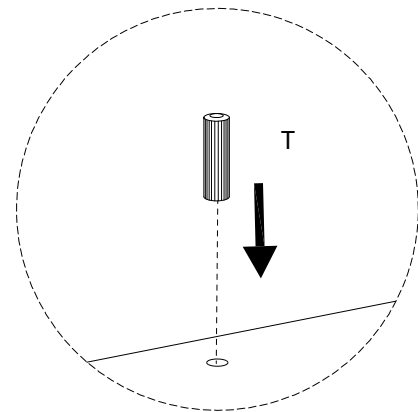
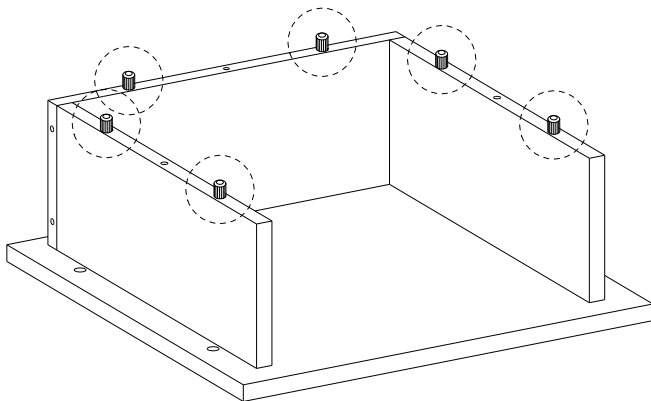
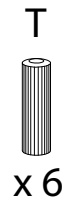
x1



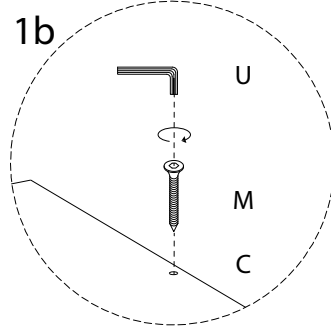
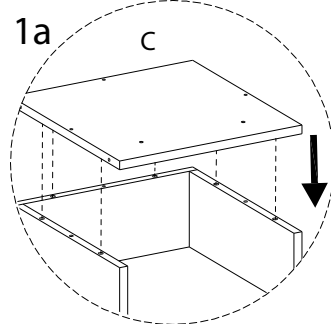
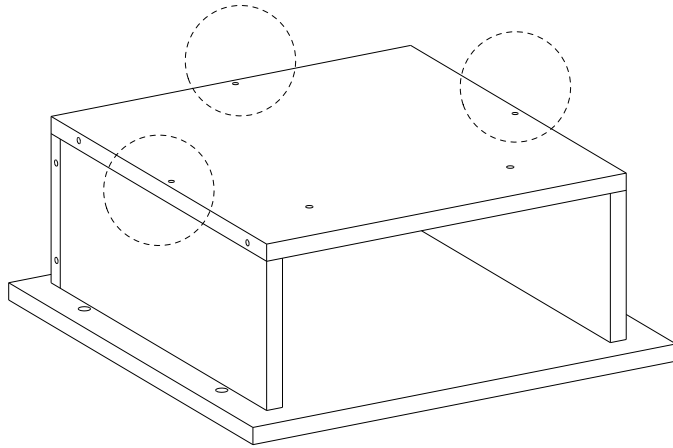
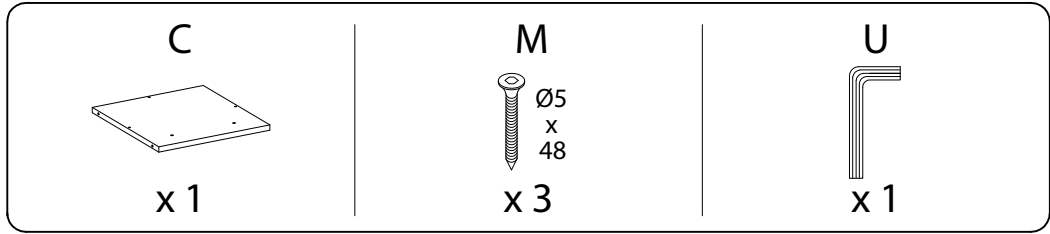
3



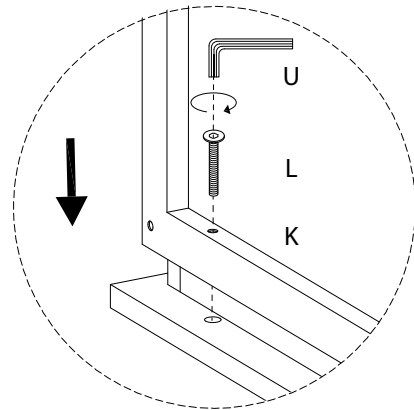
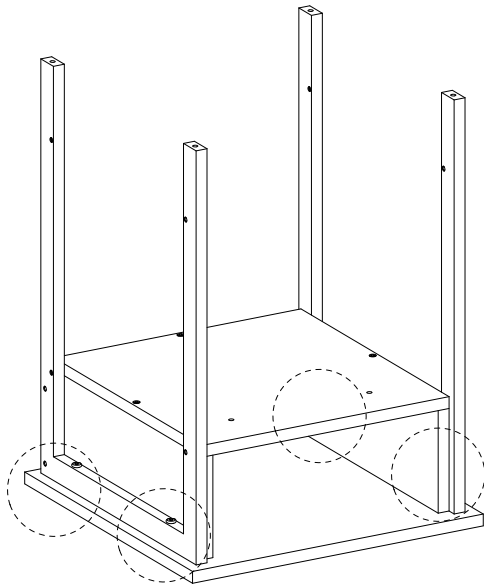
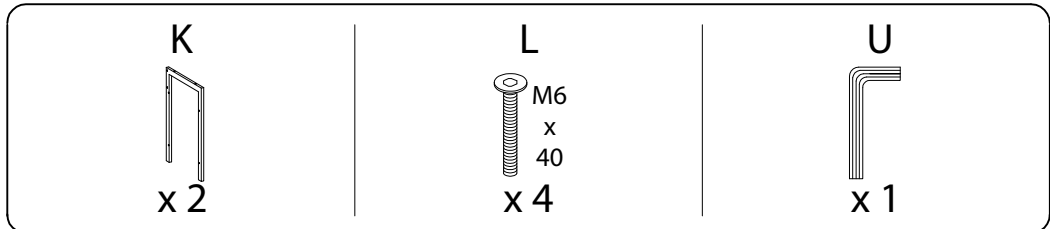
4



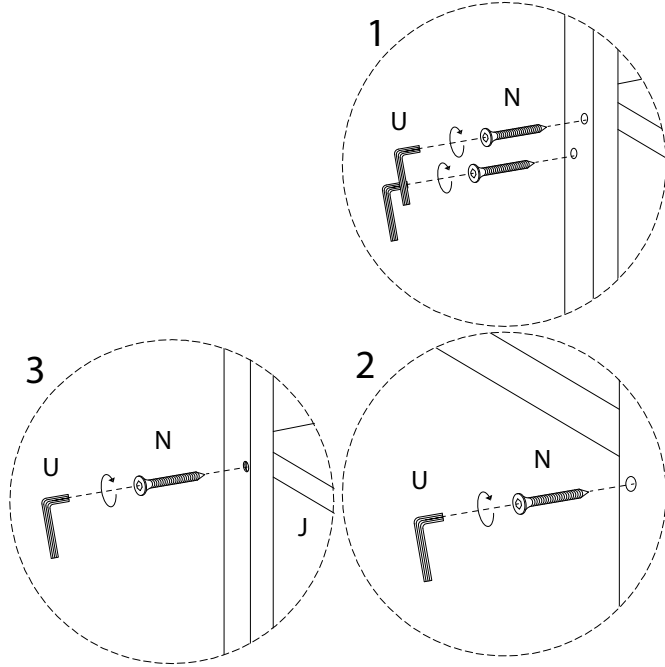
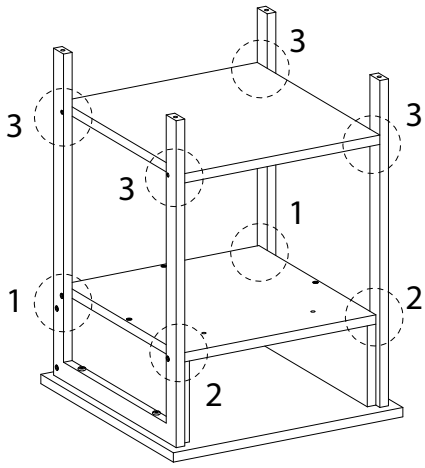
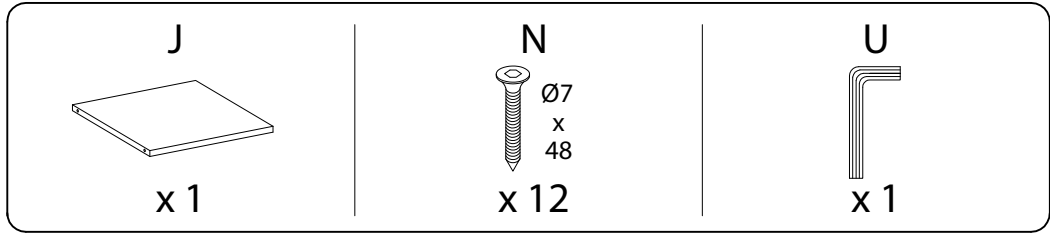
5



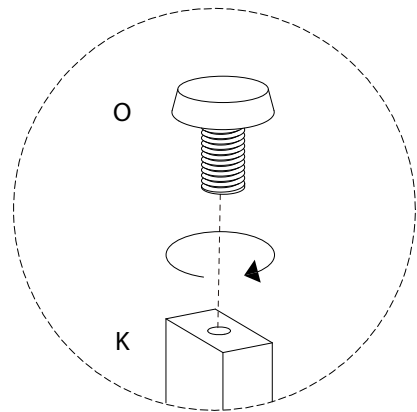
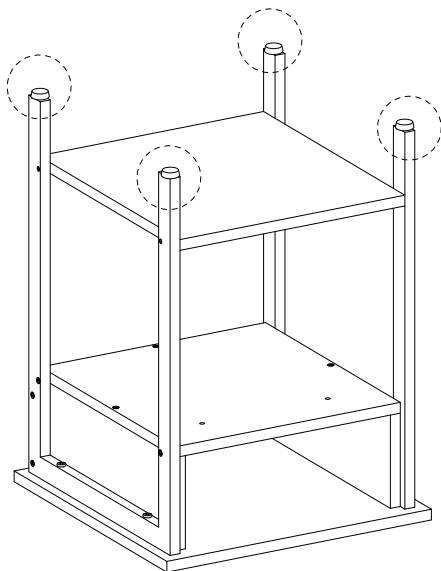
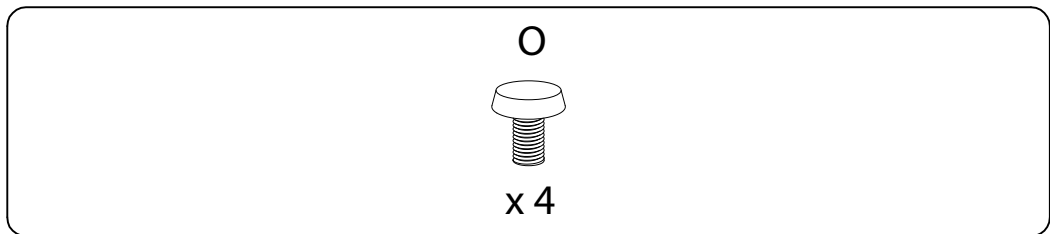
6



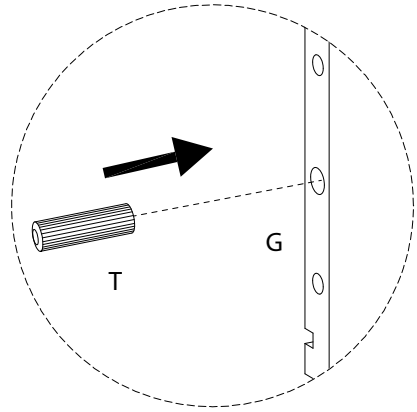
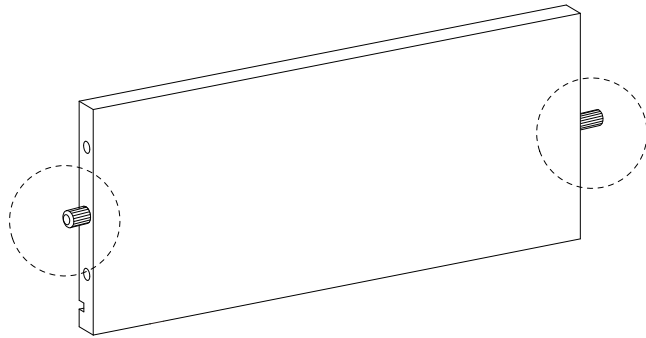
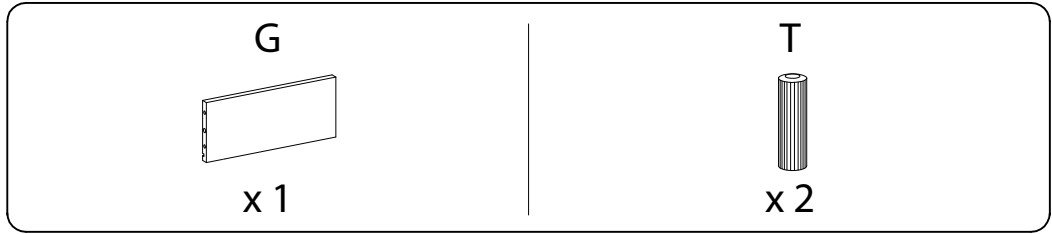
7



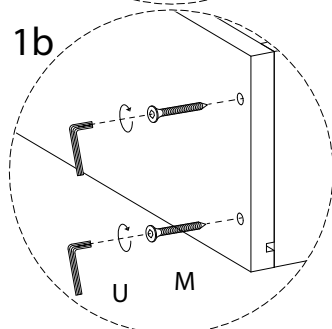
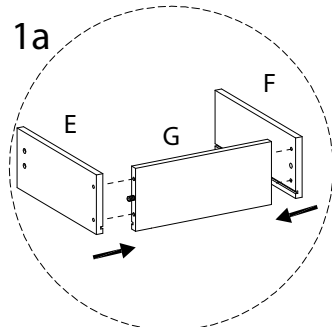
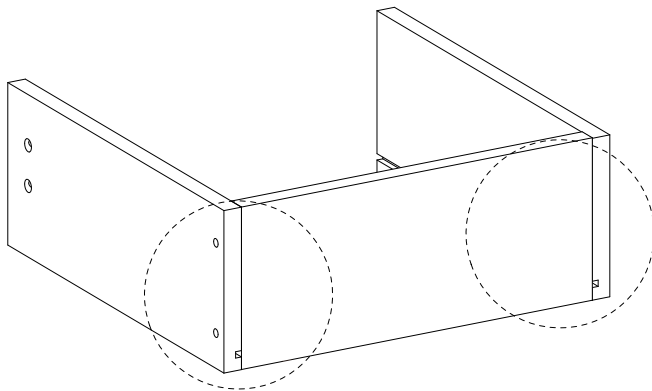
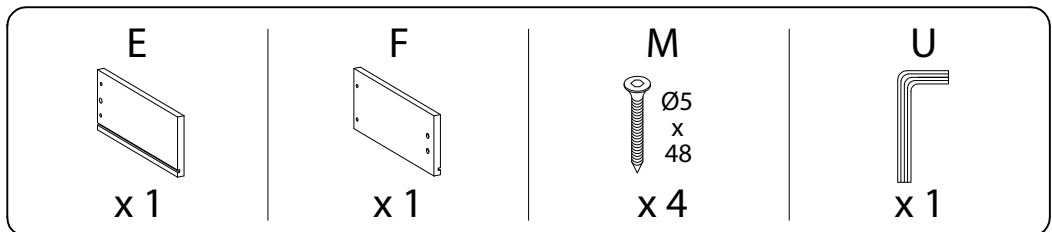
8



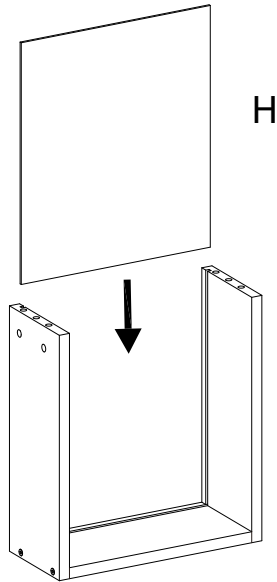
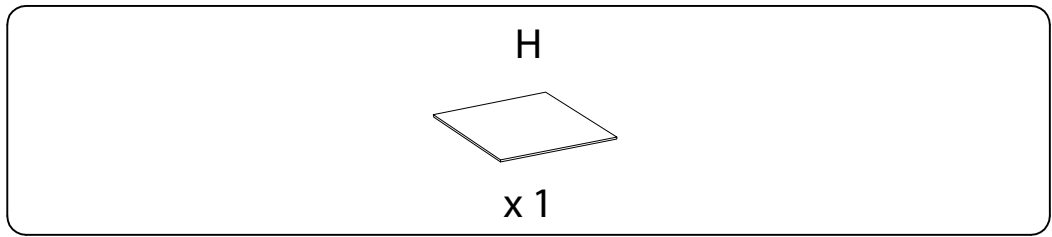
9



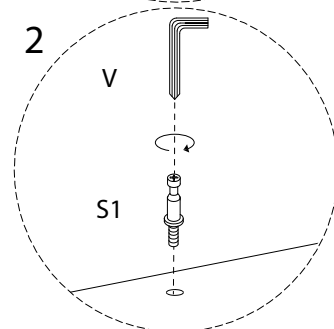
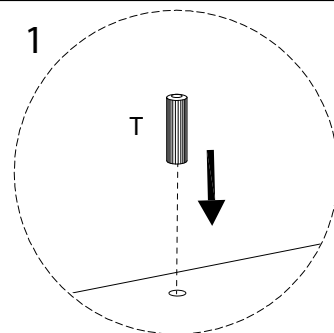
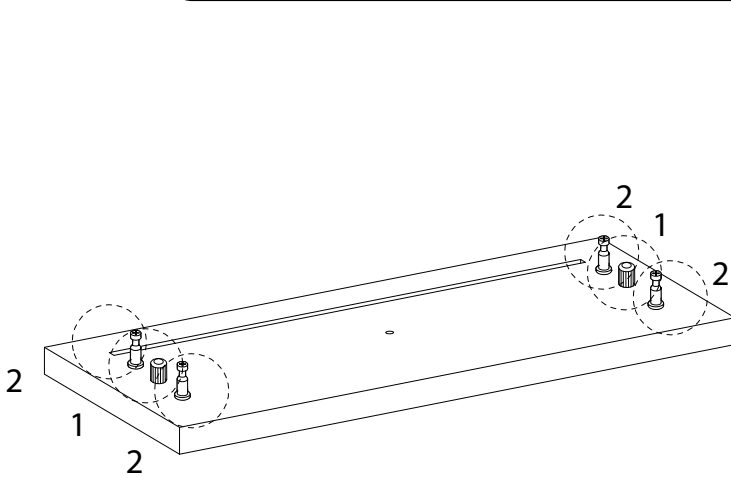
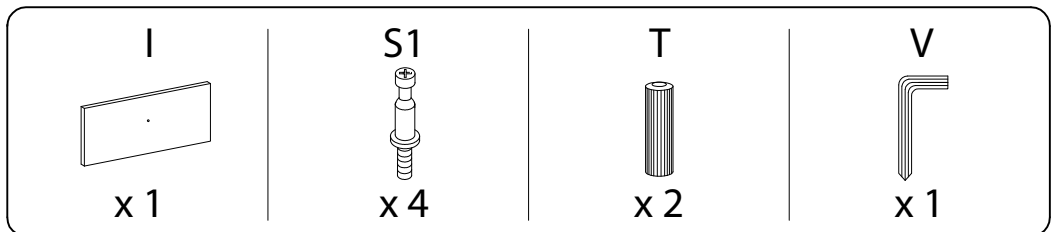
10



11



12



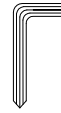
13

S2

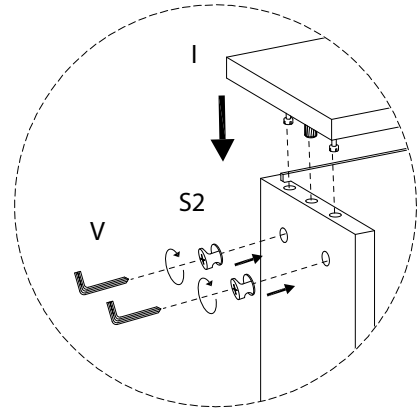
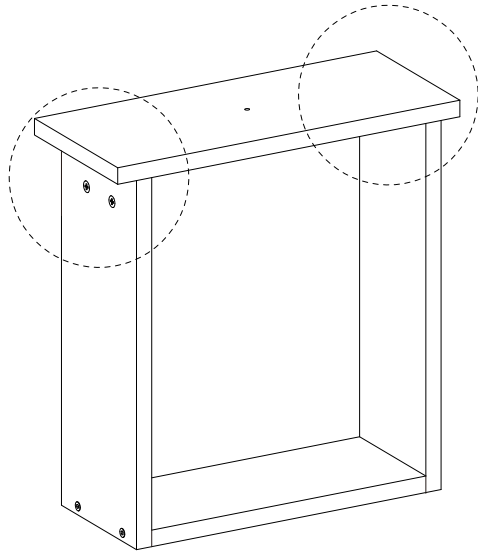


x 4

V



x 1



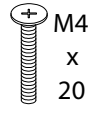
14

Q



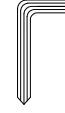
x 1

R

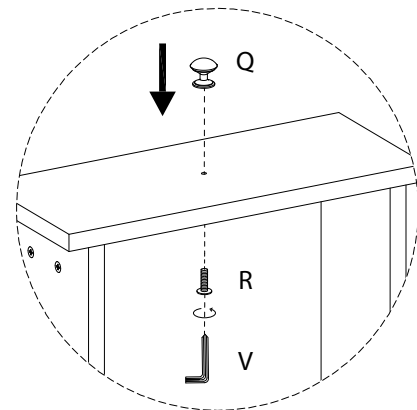
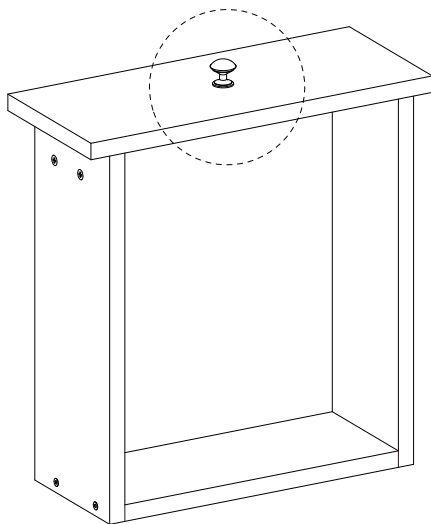


x 1

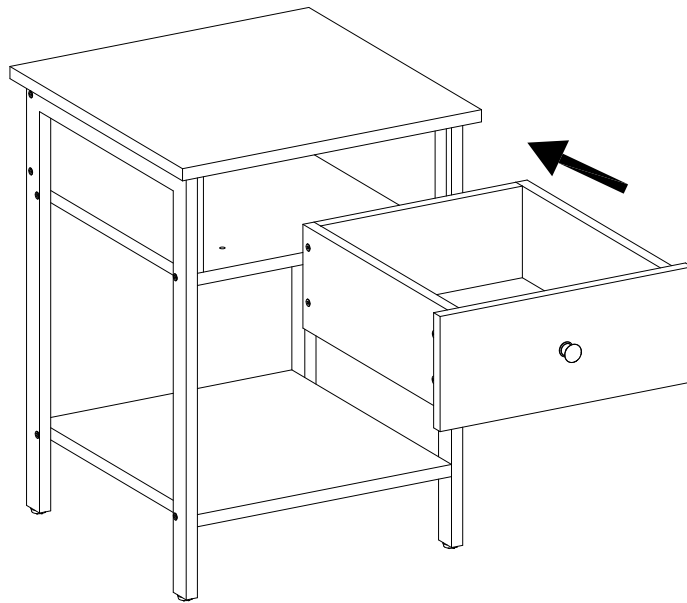
V



x 1



15



16

