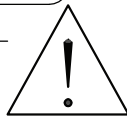
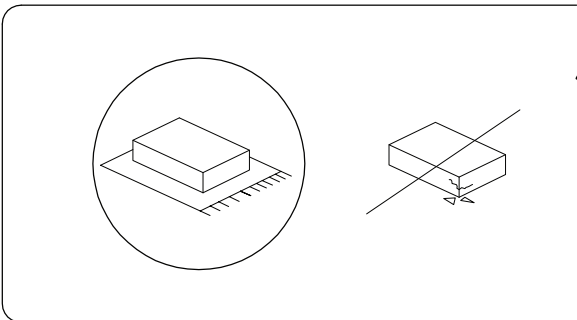
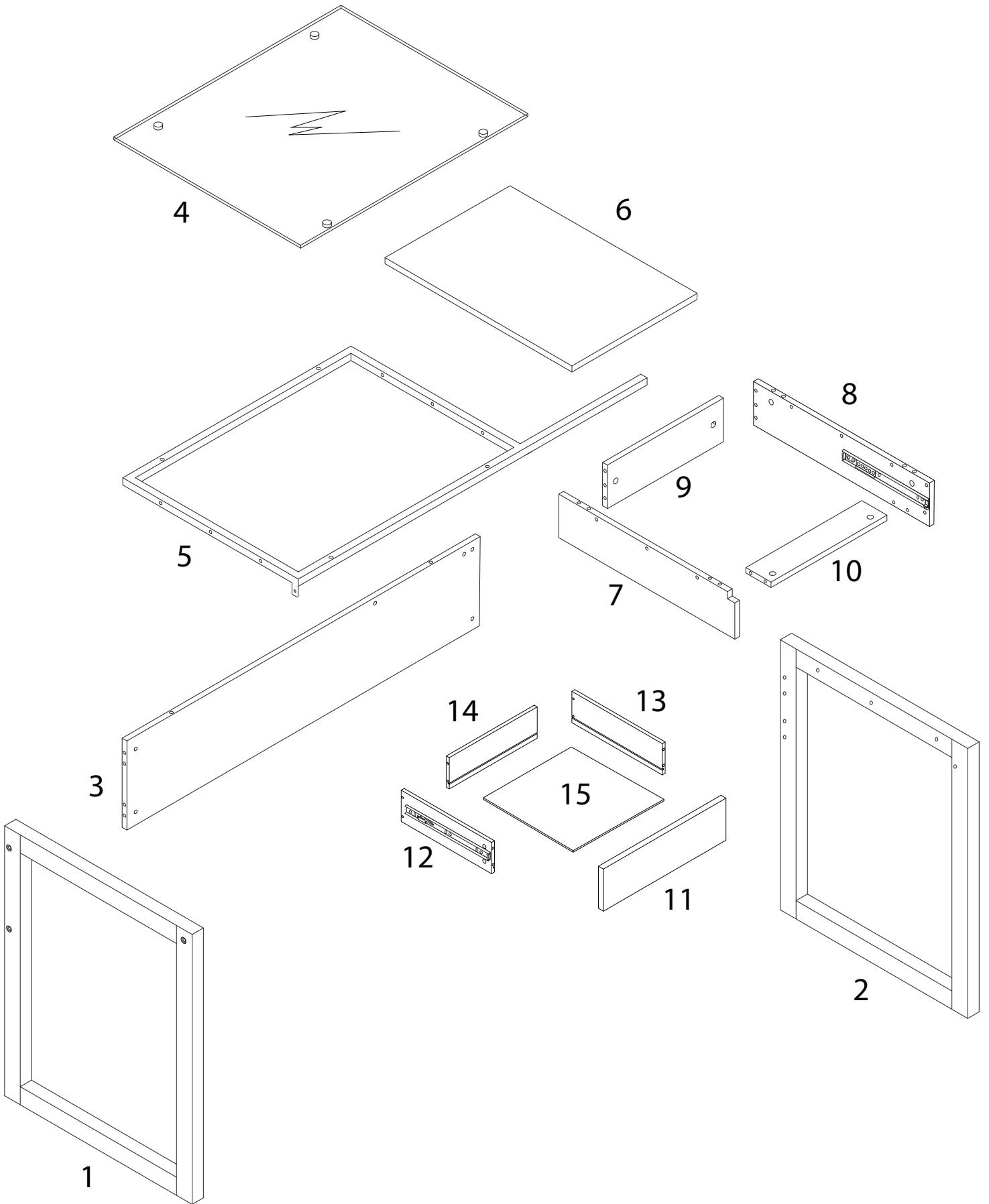


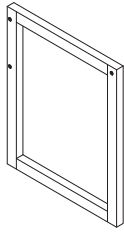
40'



1

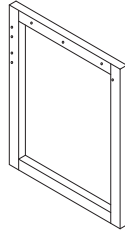


1



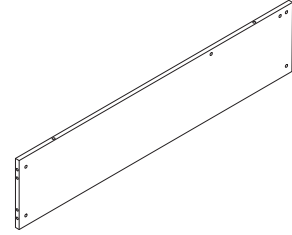
x 1

2



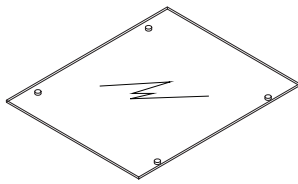
x 1

3



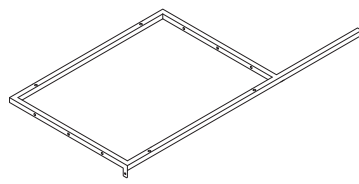
x 1

4



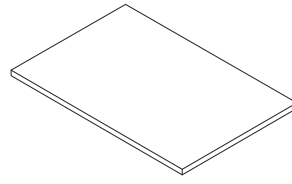
x 1

5



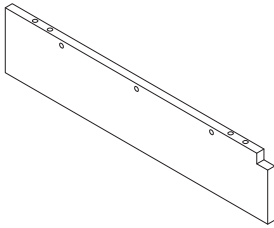
x 1

6



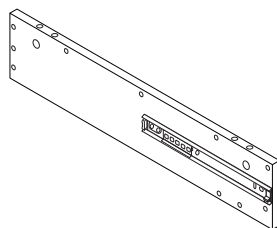
x 1

7



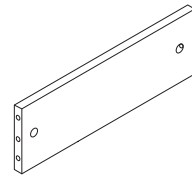
x 1

8



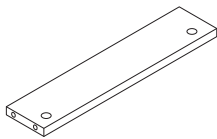
x 1

9



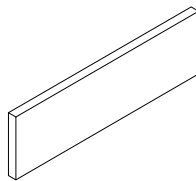
x 1

10



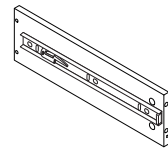
x 1

11



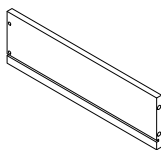
x 1

12



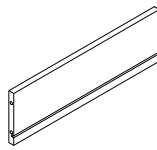
x 1

13



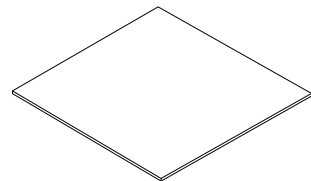
x 1

14

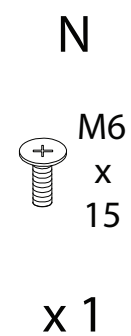
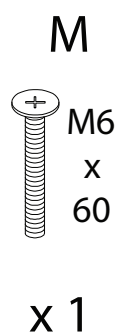
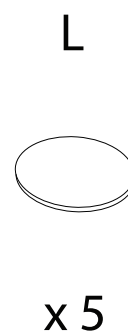
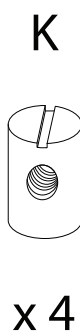
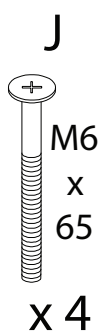
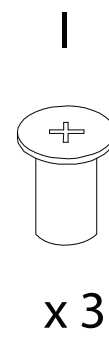
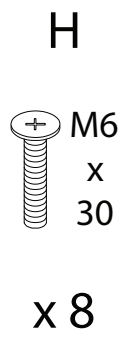
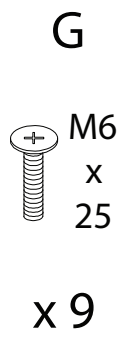
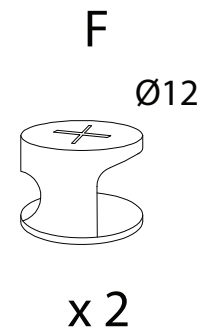
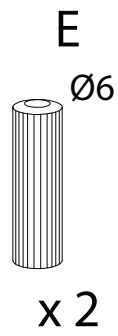
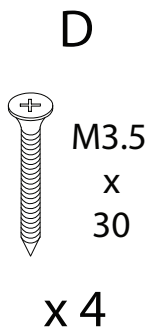
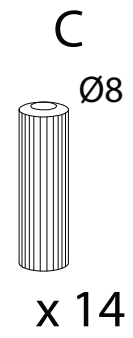
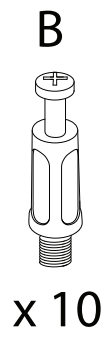
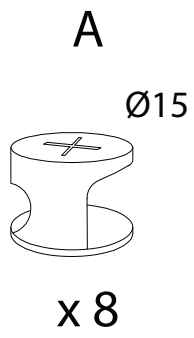


x 1

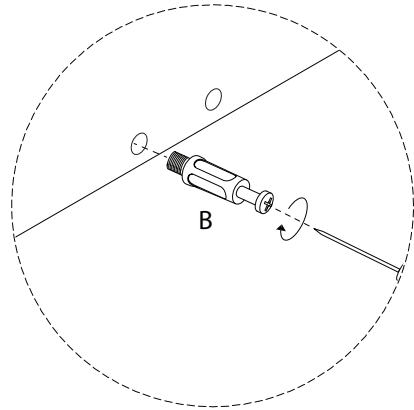
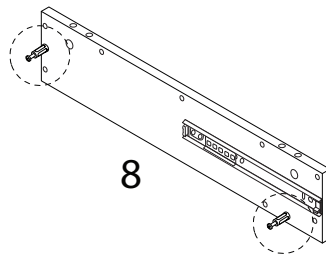
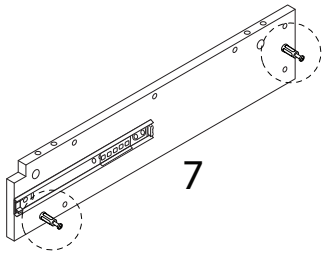
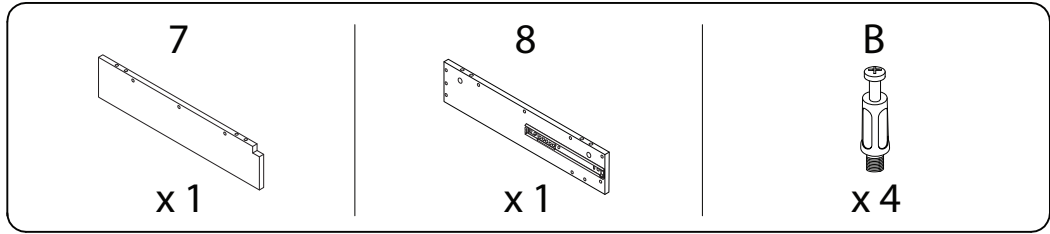
15



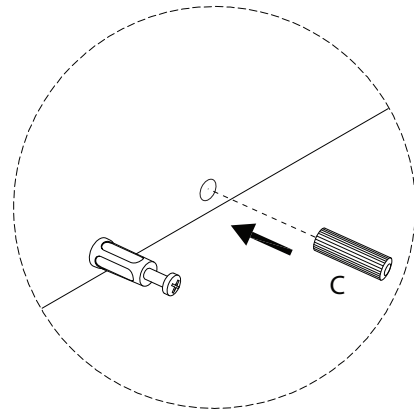
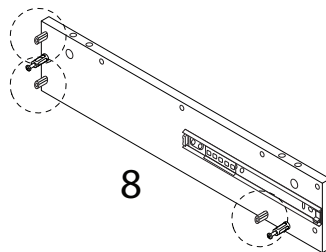
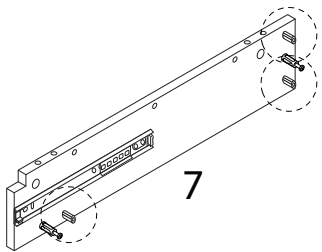
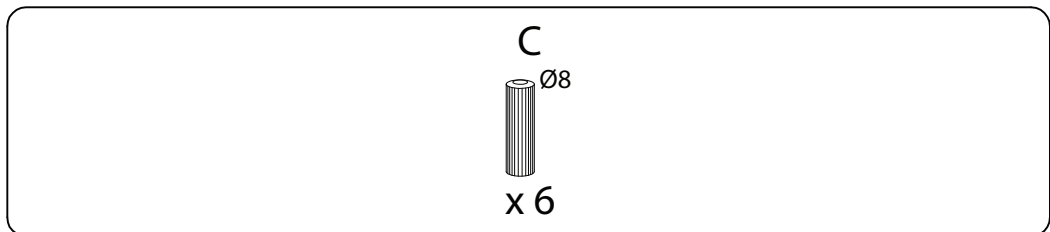
x 1



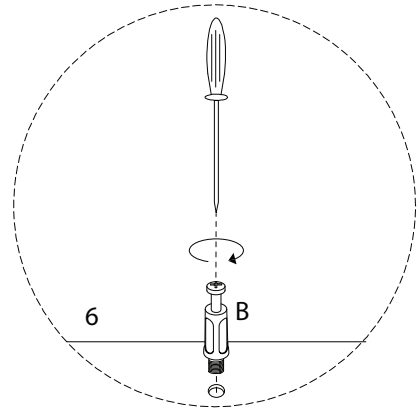
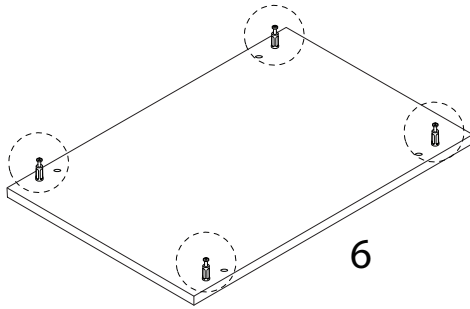
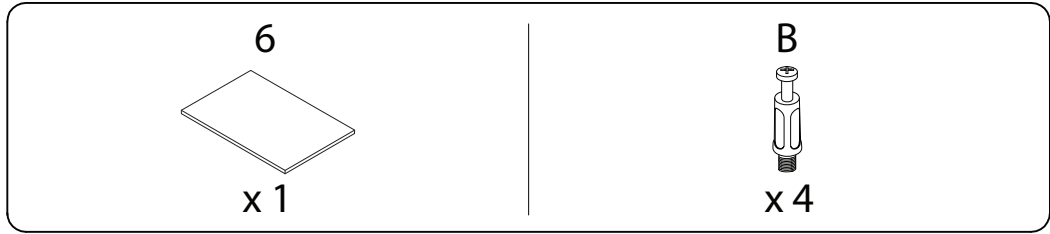
1



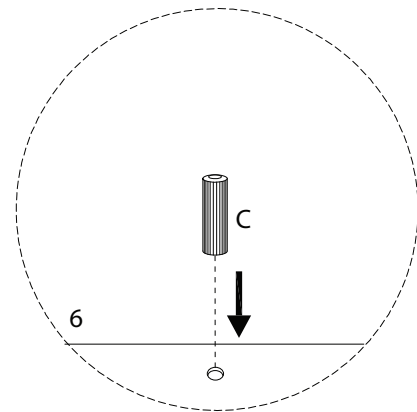
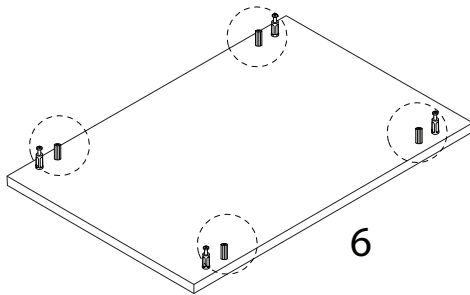
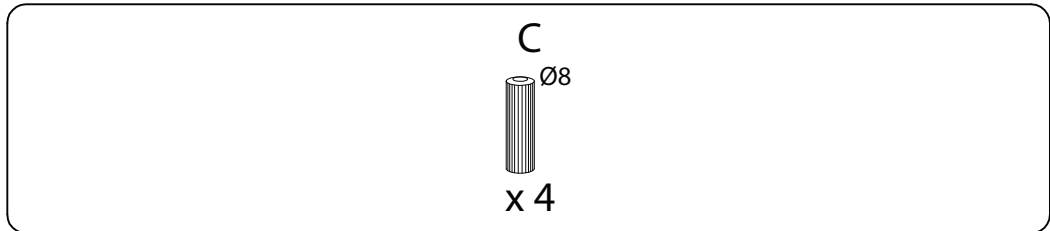
2



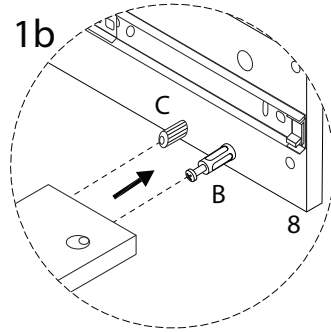
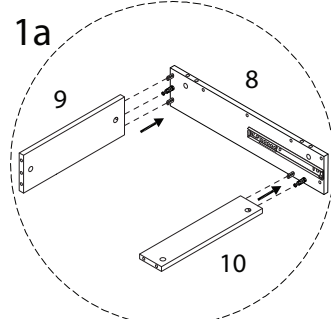
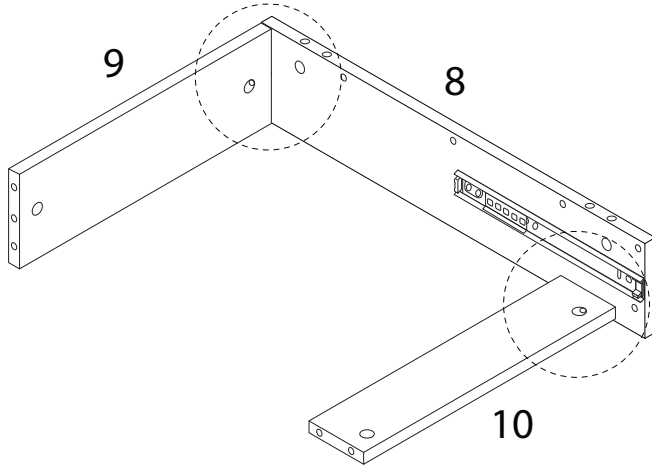
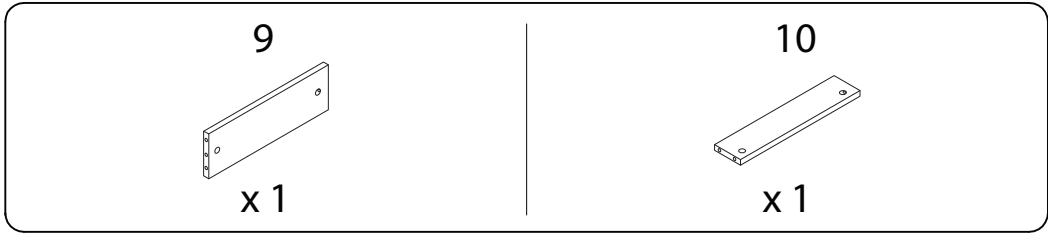
3



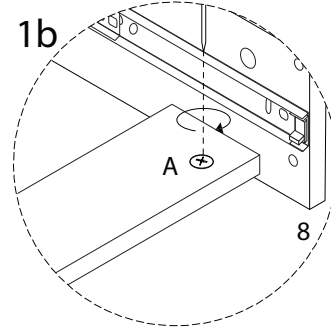
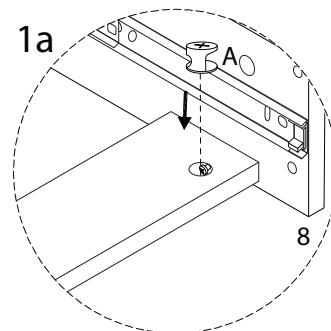
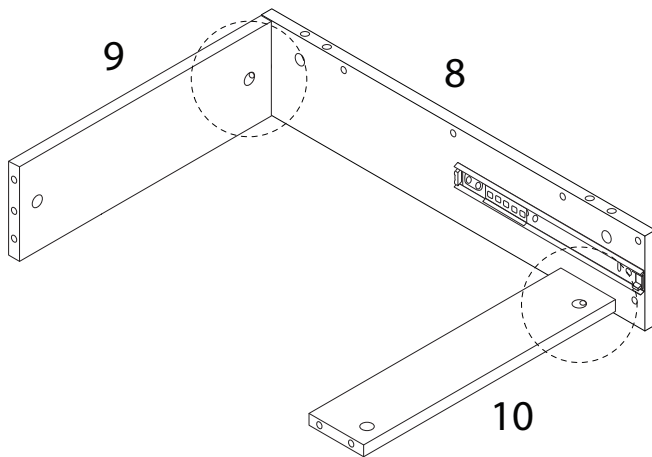
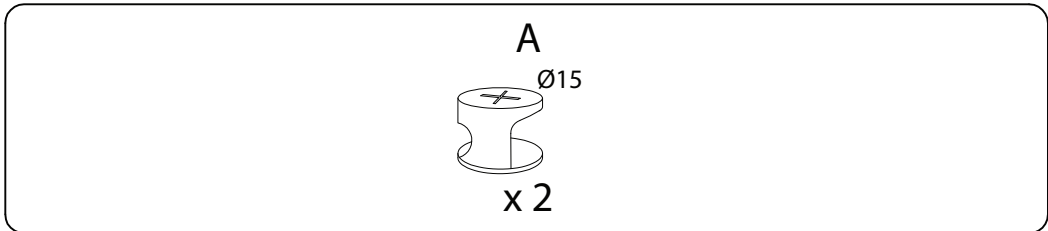
4



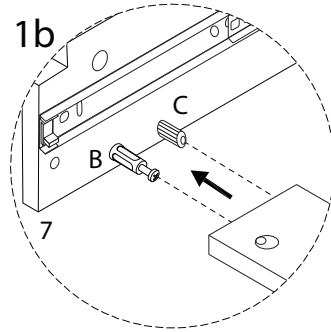
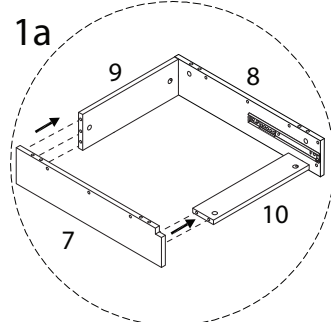
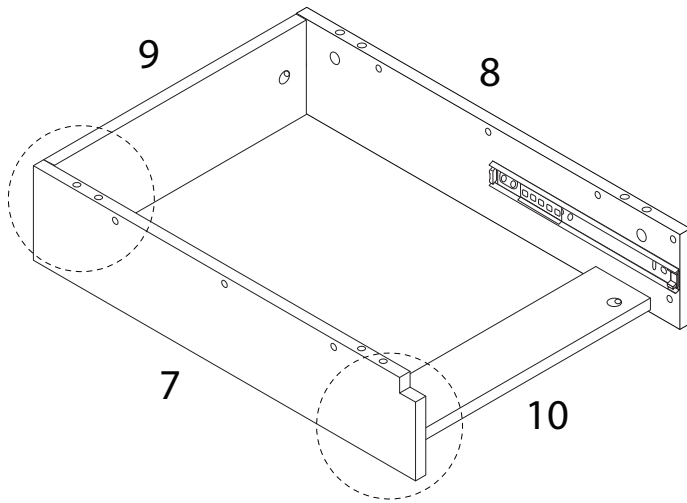
5



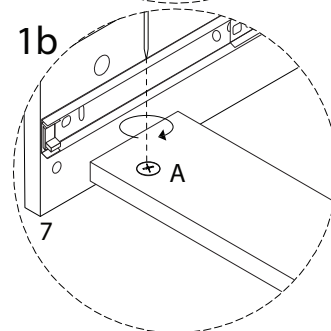
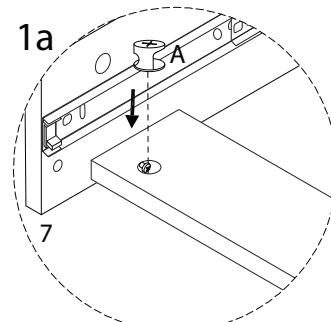
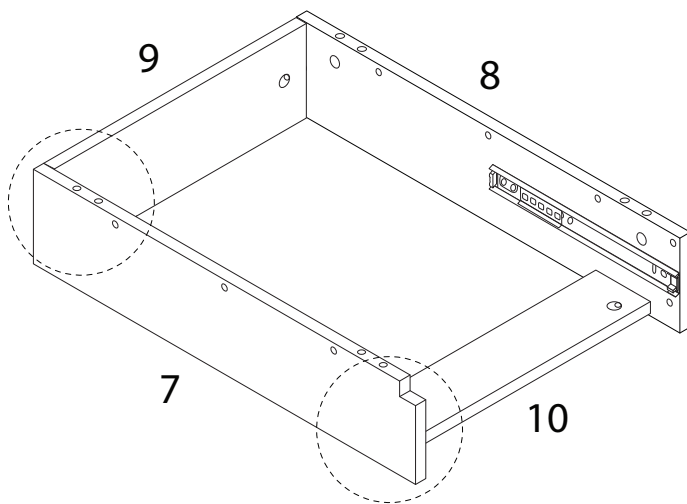
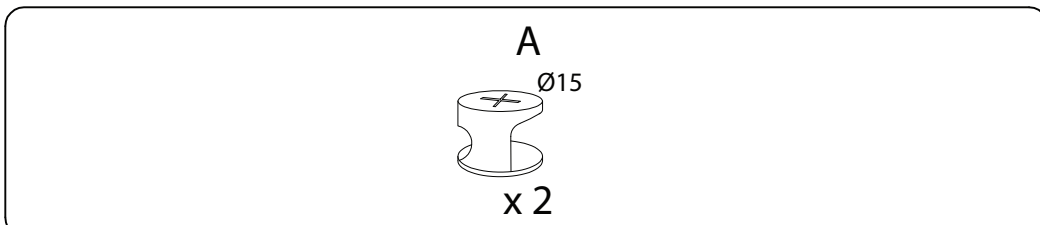
6



7

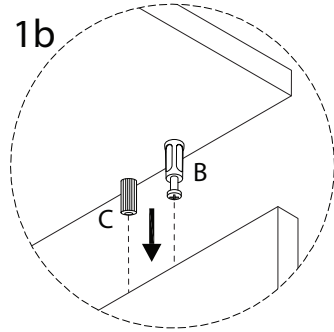
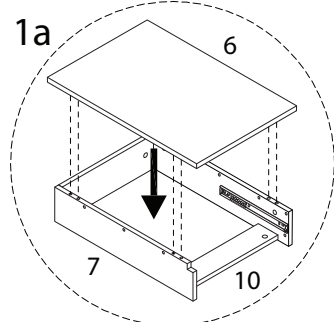
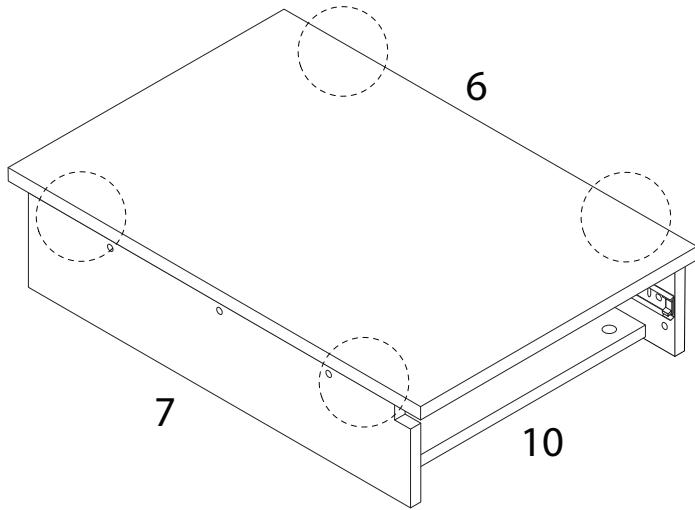


8

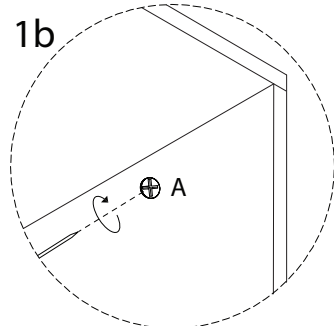
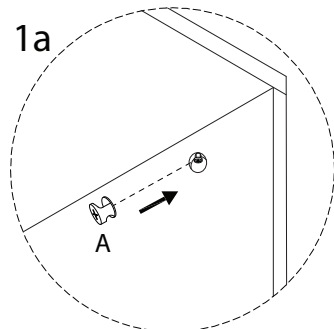
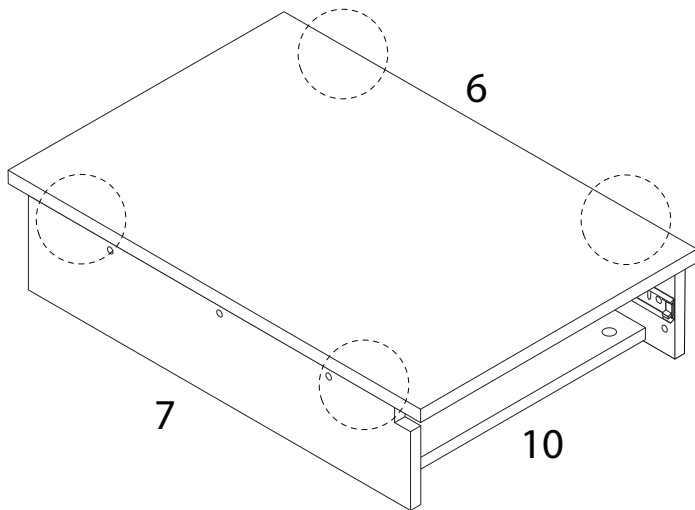
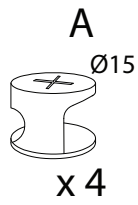




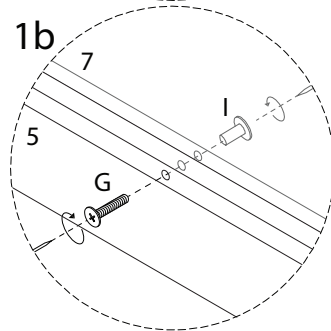
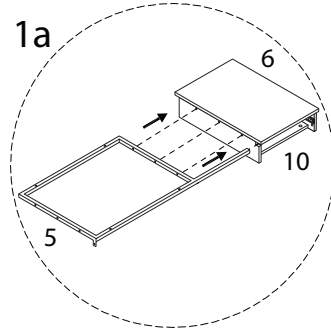
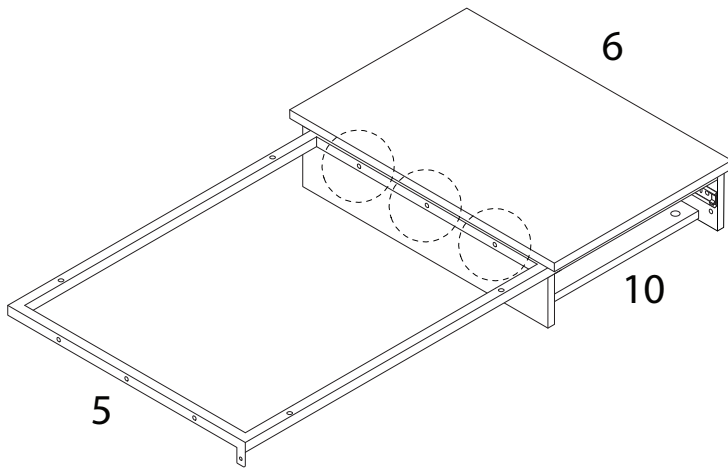
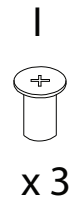
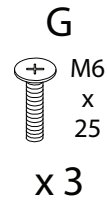
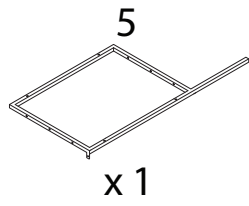
9



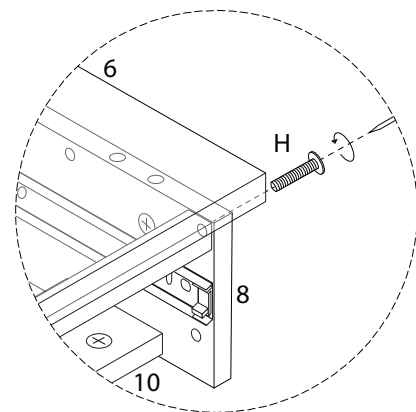
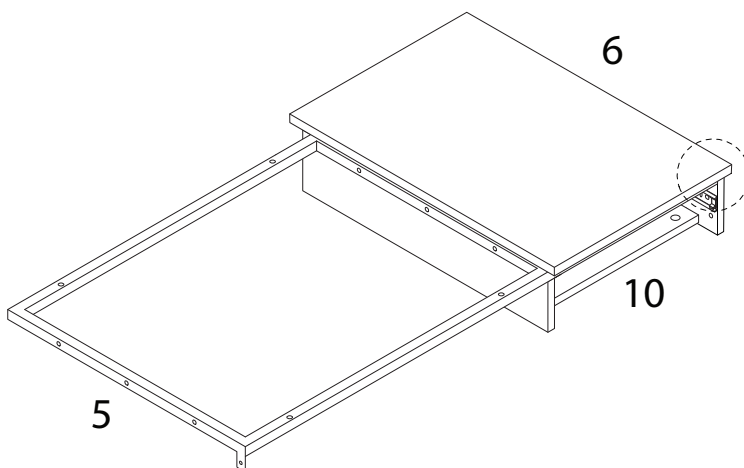
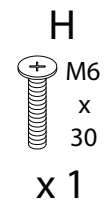
10



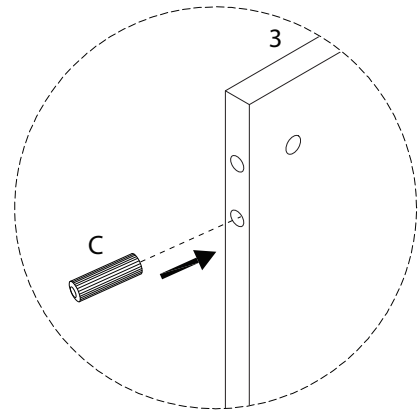
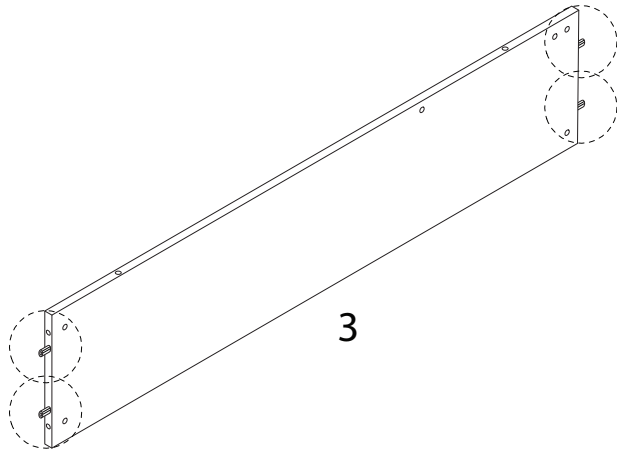
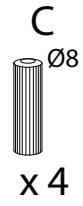
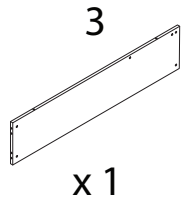
11



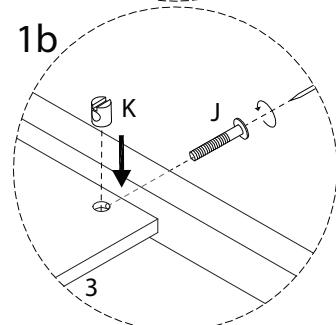
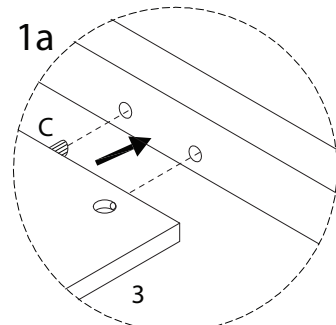
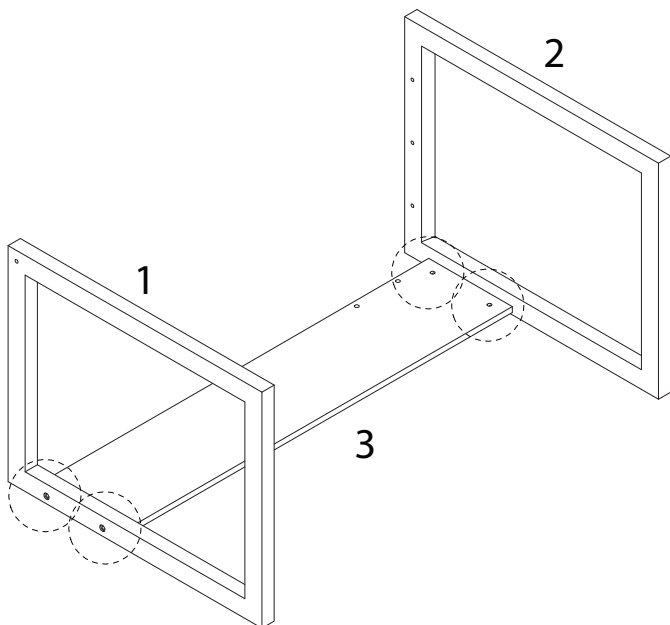
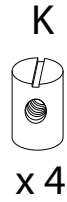
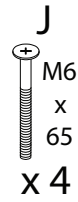
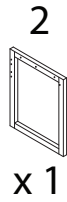
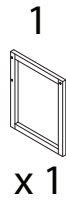
12



13

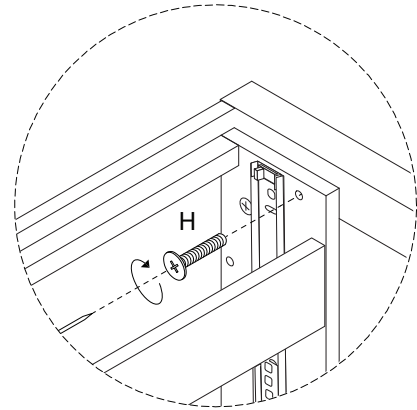
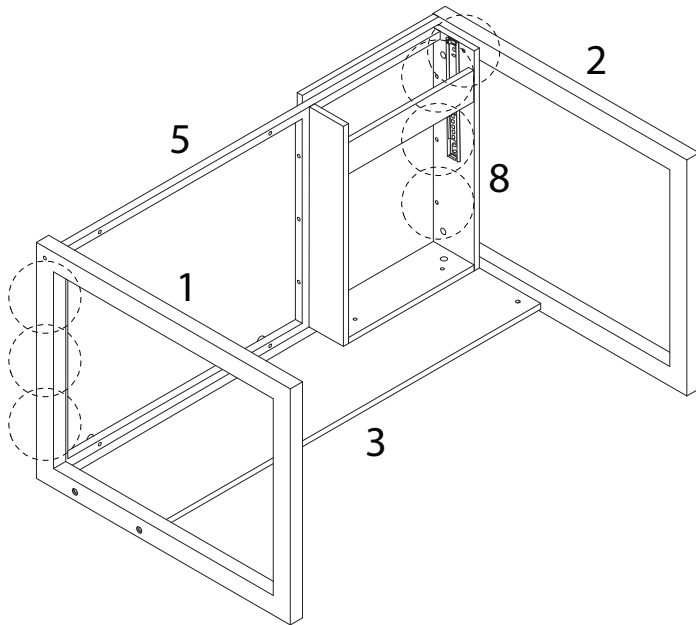
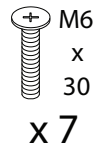


14



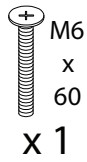
15

H

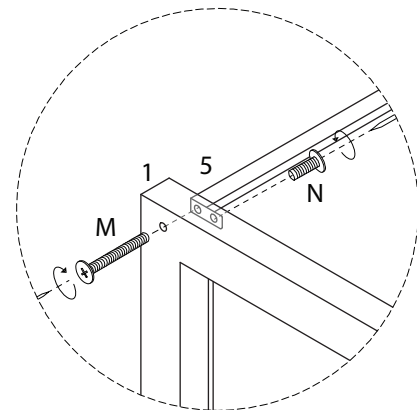
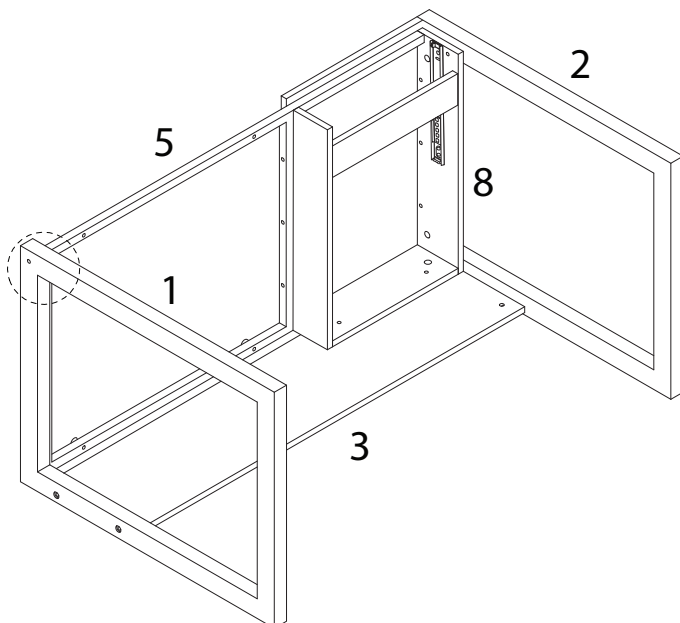
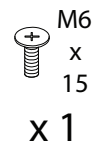


16

M



N

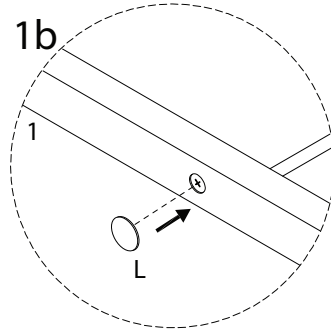
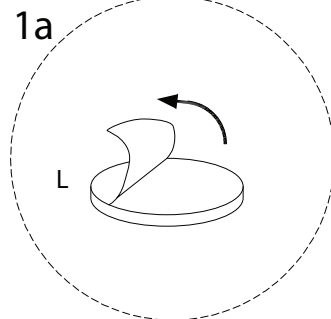
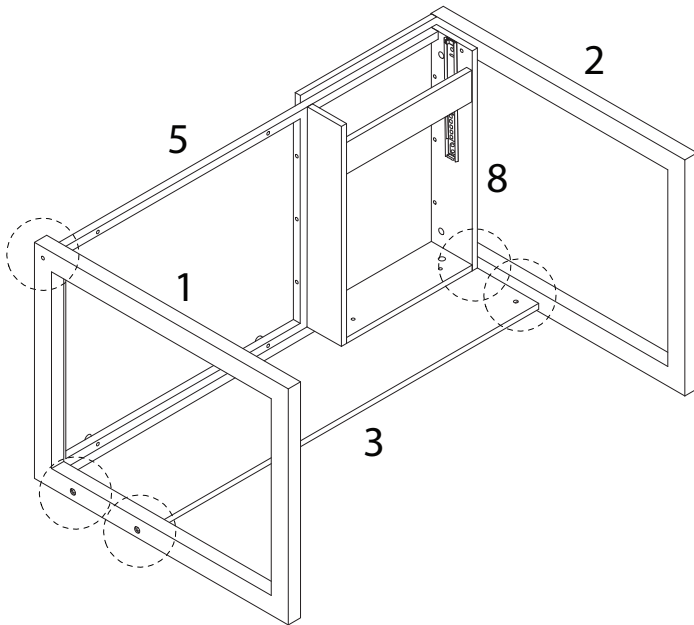


17

L

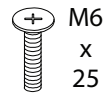


x 5

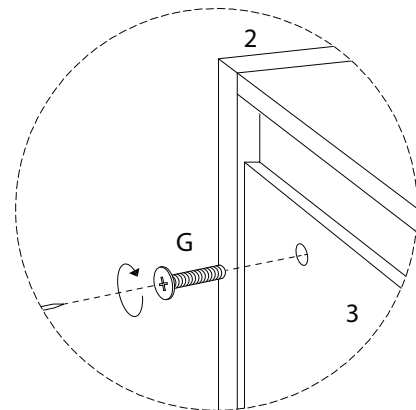
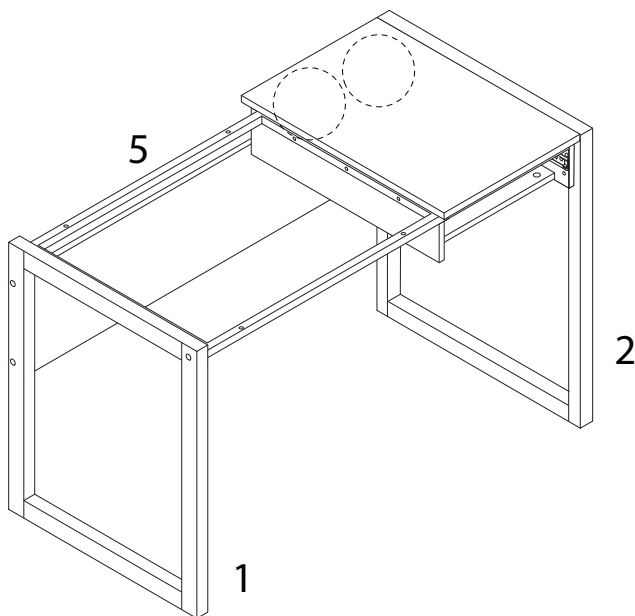


18

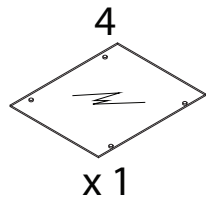
G



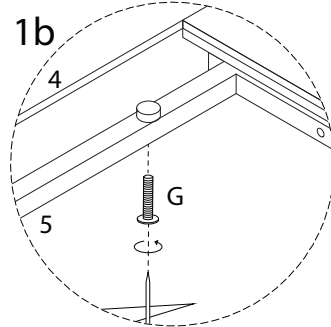
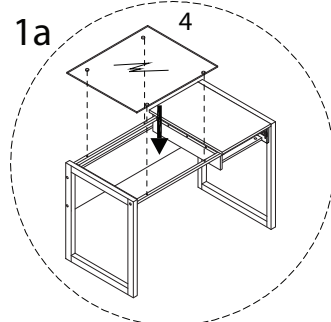
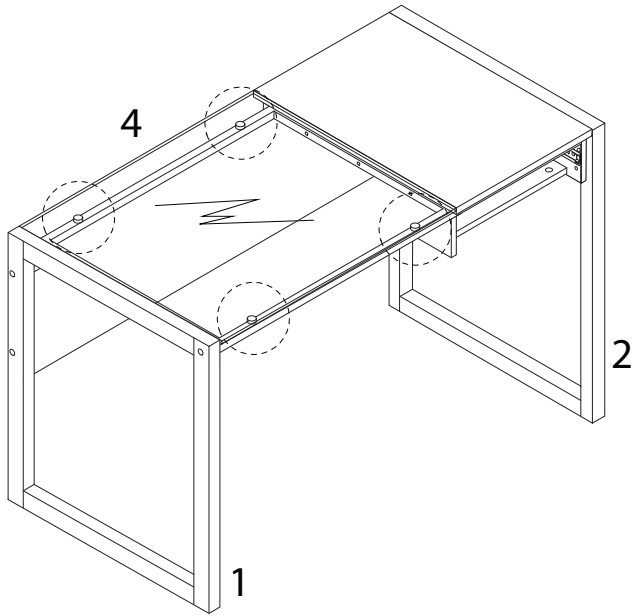
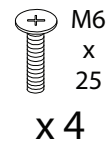
x 2



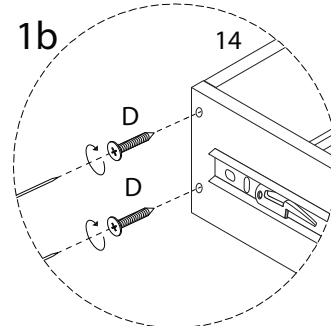
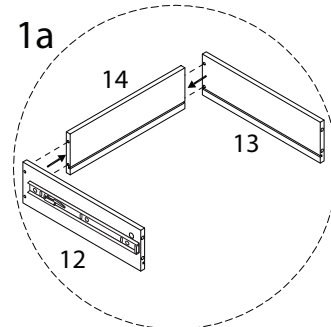
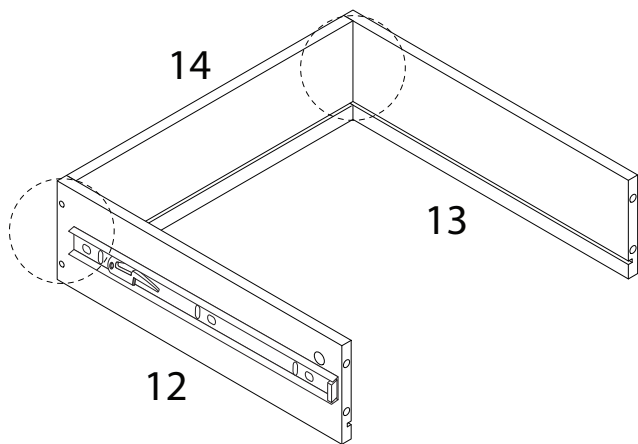
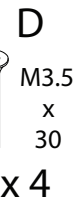
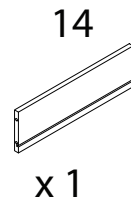
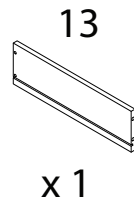
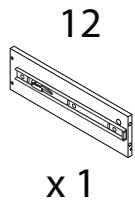
19



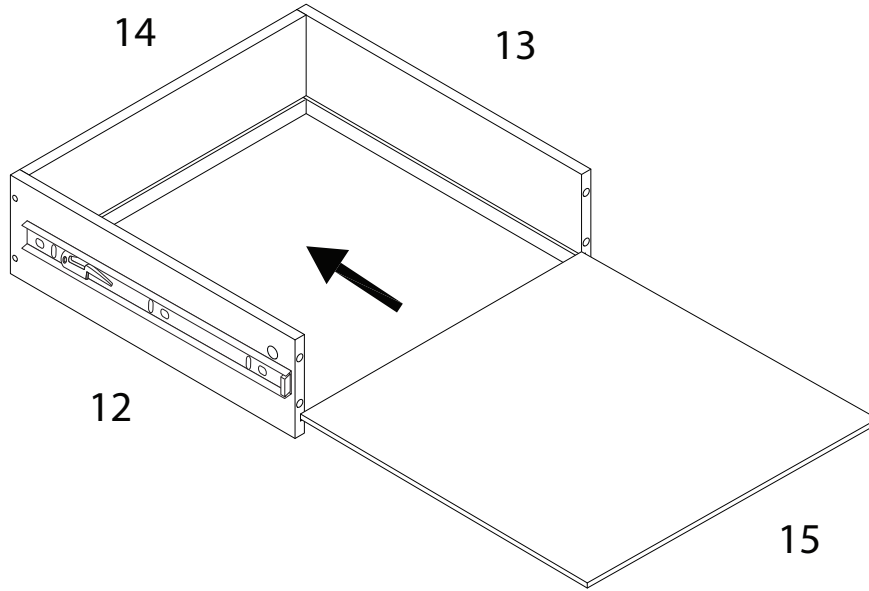
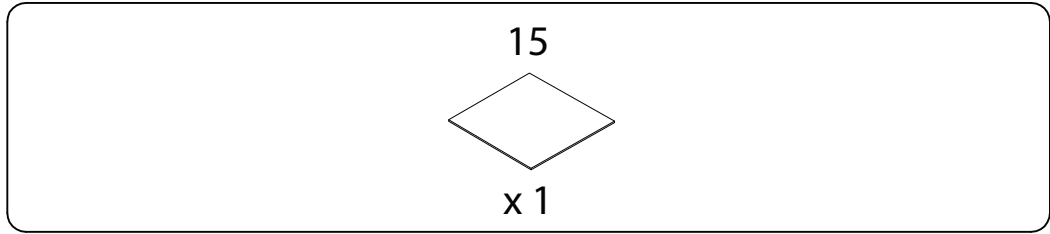
G



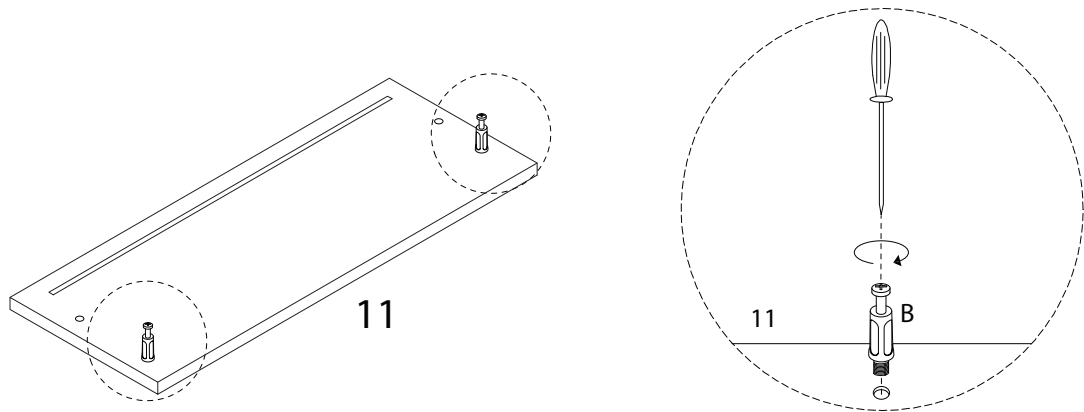
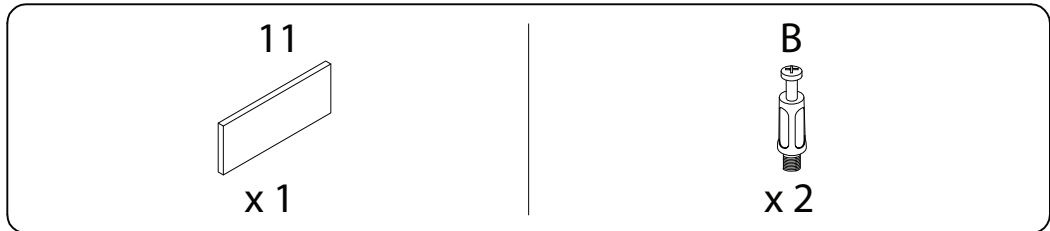
20



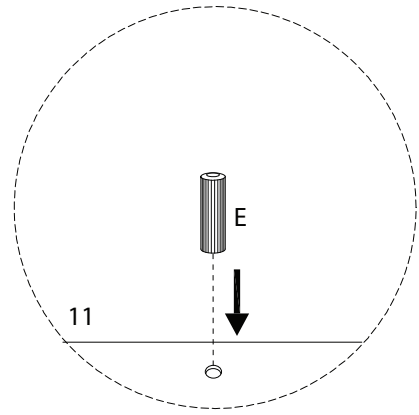
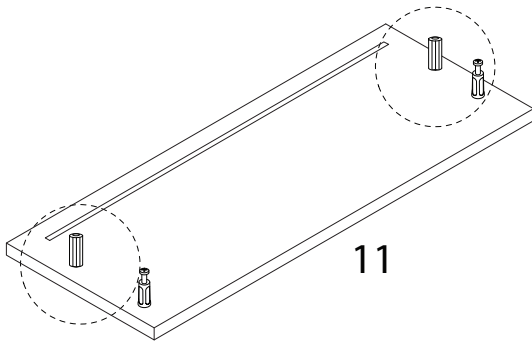
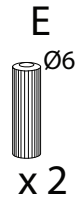
21



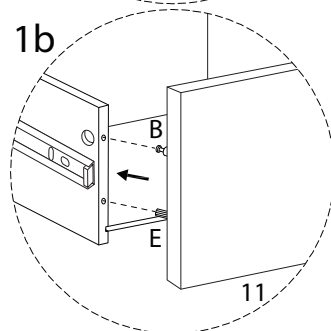
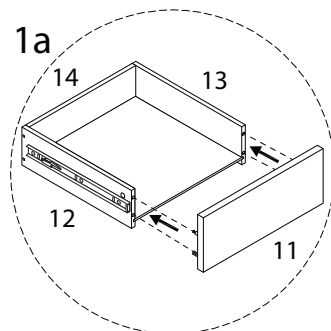
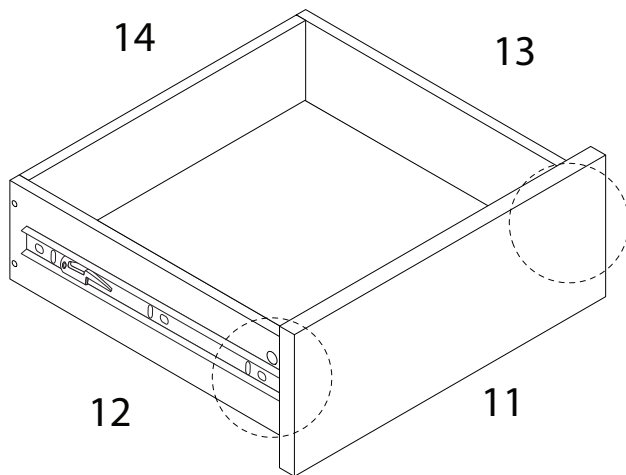
22



23



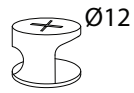
24



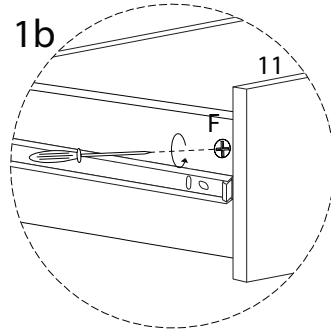
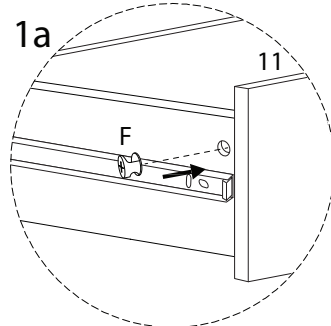
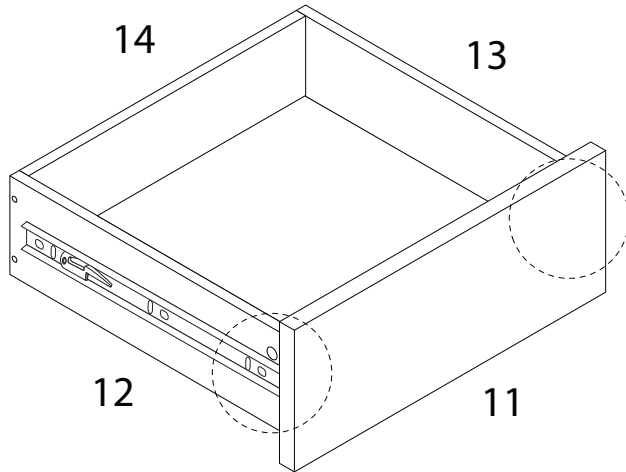


25

F



x 2



26

