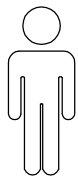
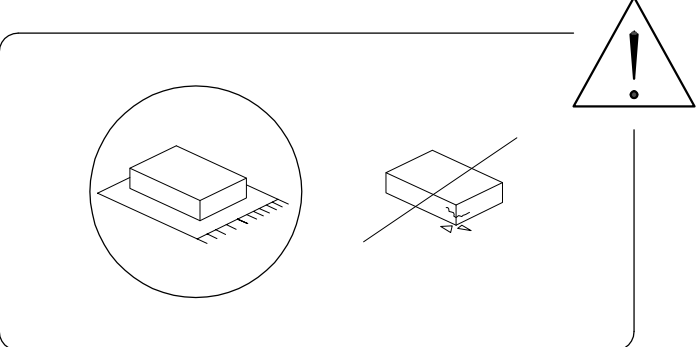
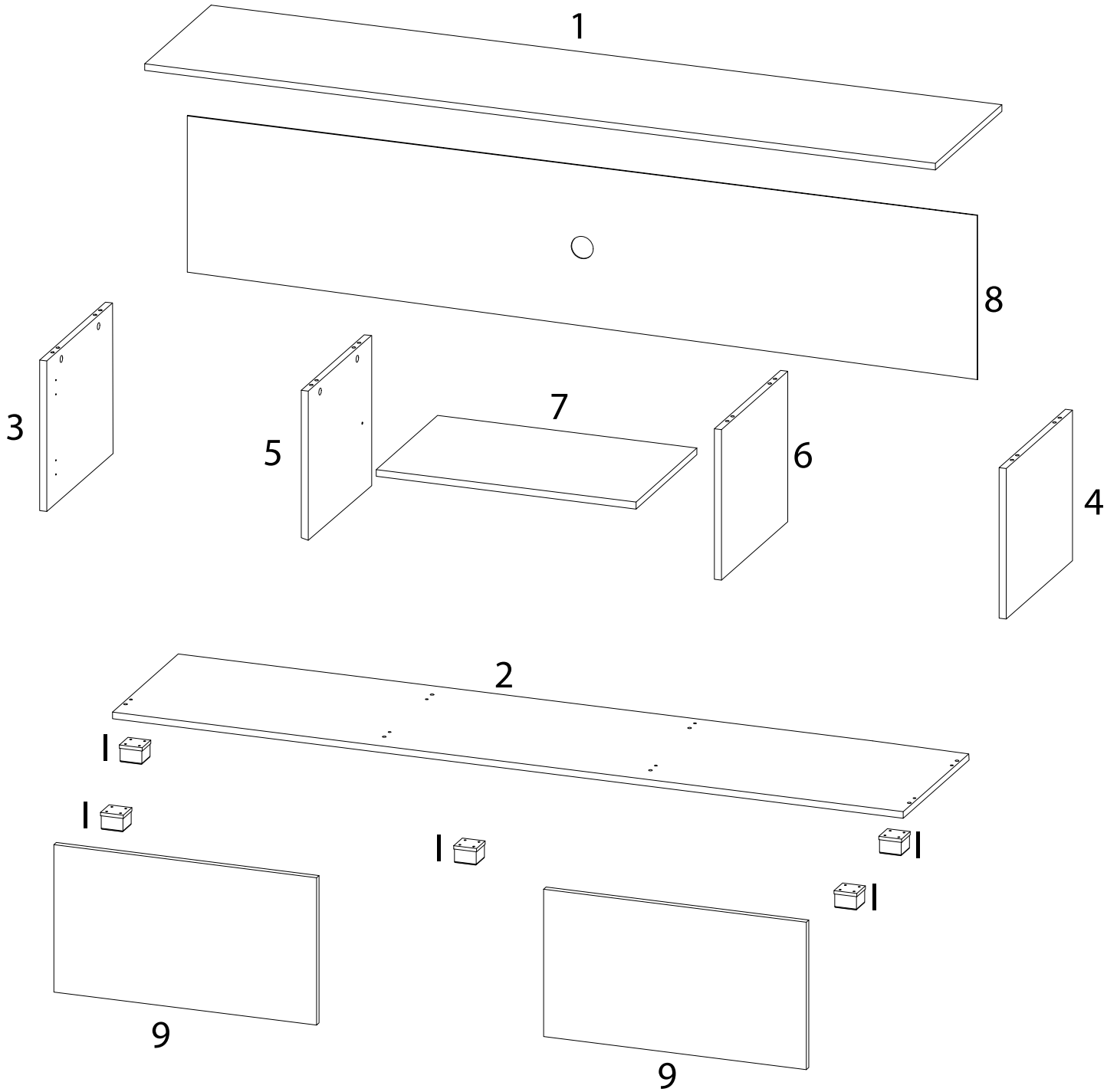
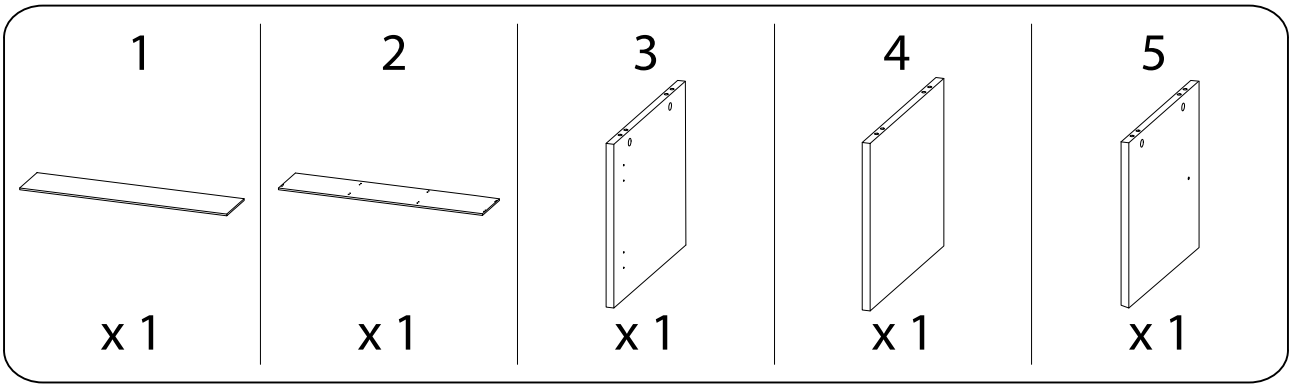


60'



1

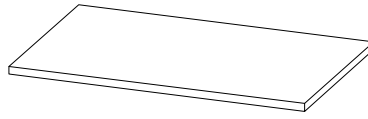


6



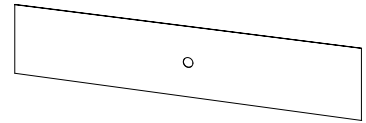
x 1

7



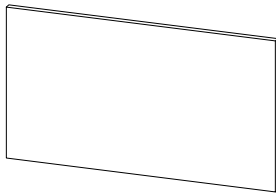
x 1

8



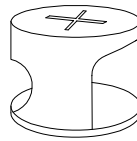
x 1

9



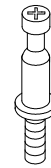
x 2

A1



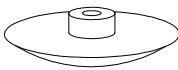
x 8

A2



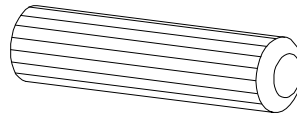
x 8

A3



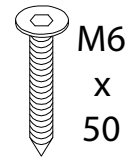
x 8

B



x 16

C



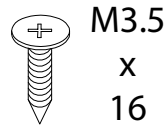
x 8

D



x 1

E



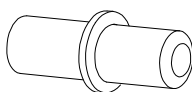
x 36

F



x 28

G



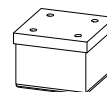
x 4

H



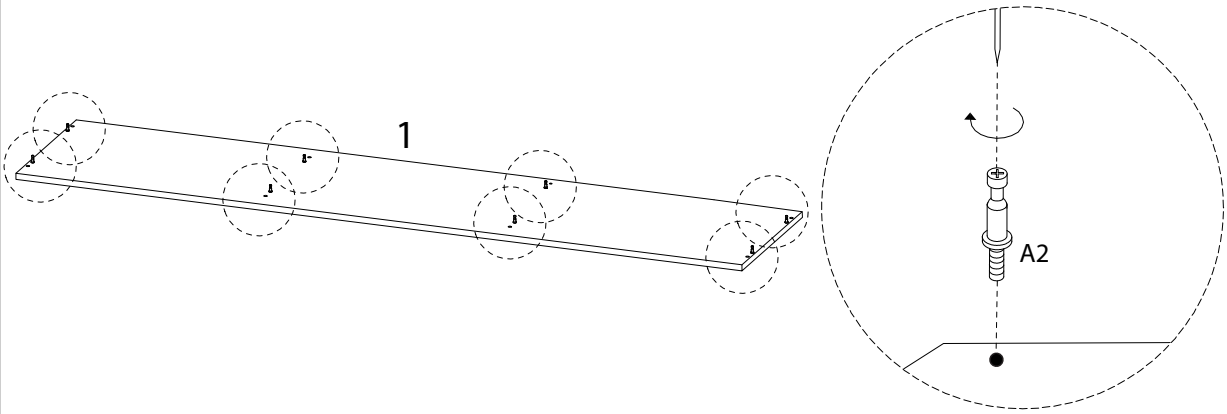
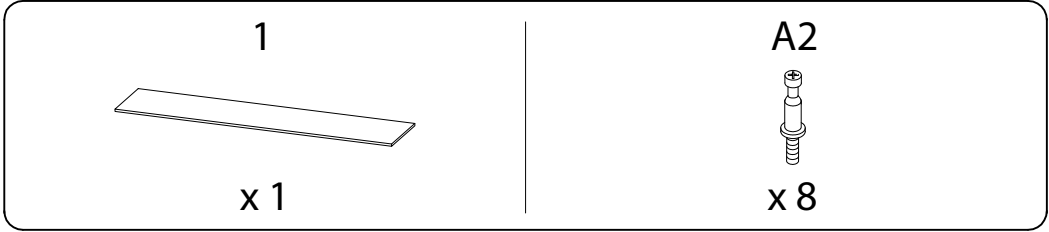
x 4

I

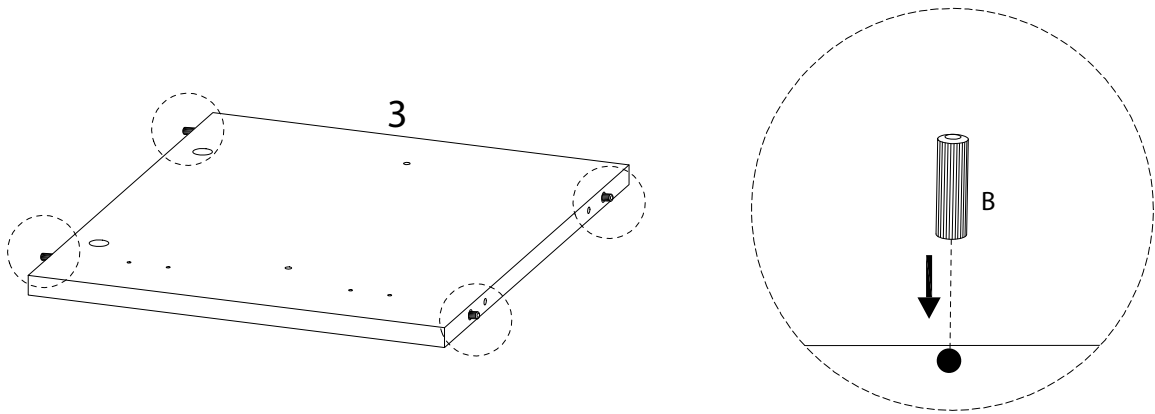
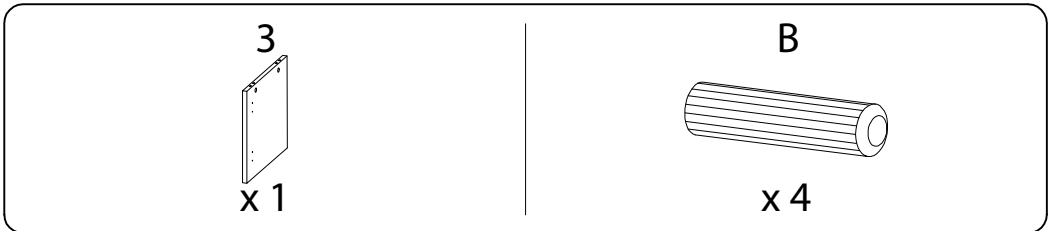


x 5

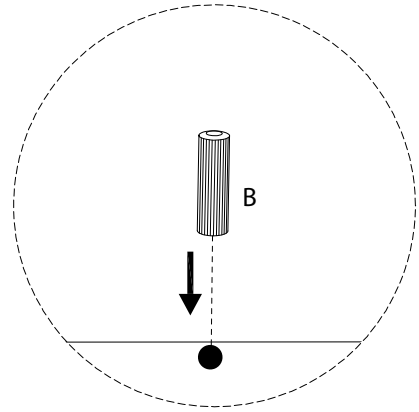
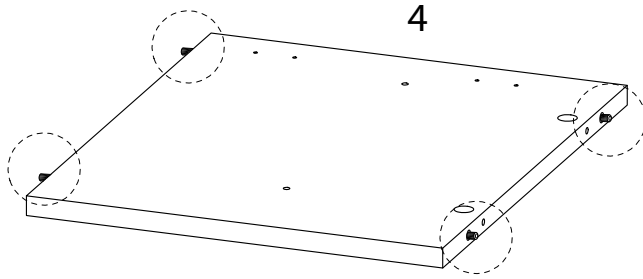
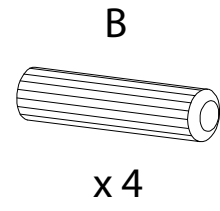
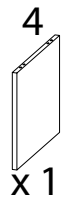
1



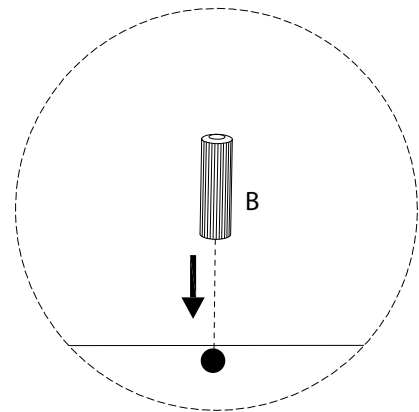
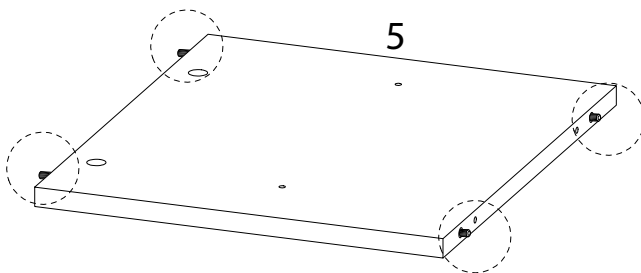
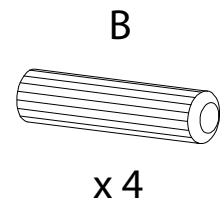
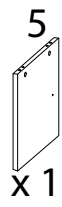
2



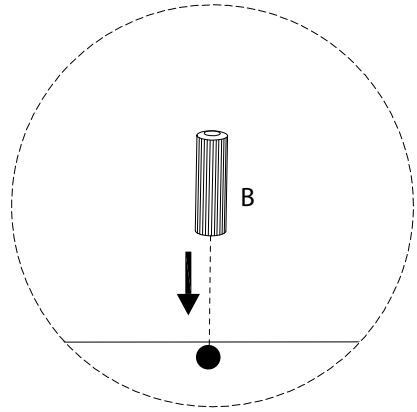
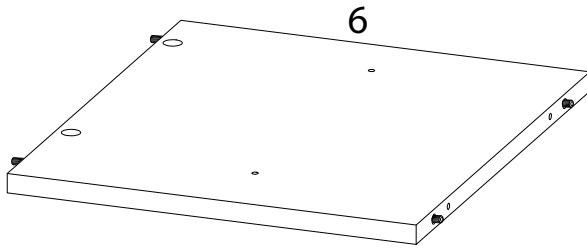
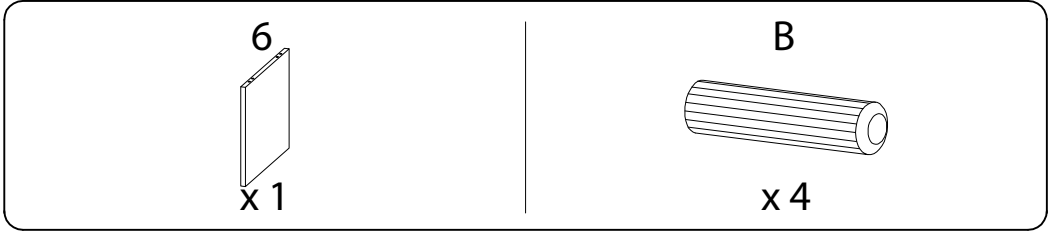
3



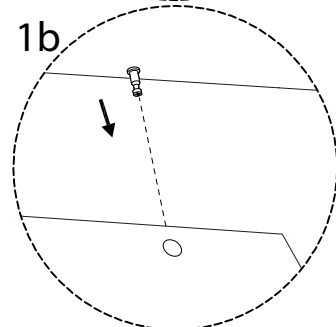
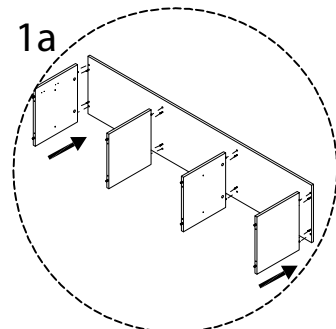
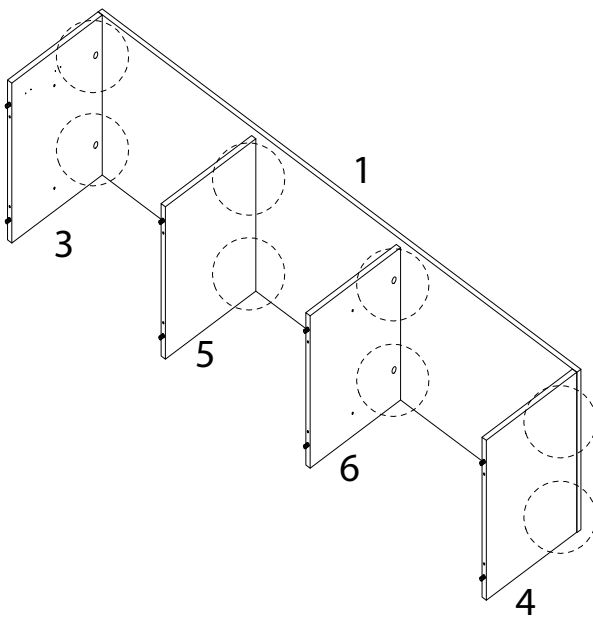
4



3



6

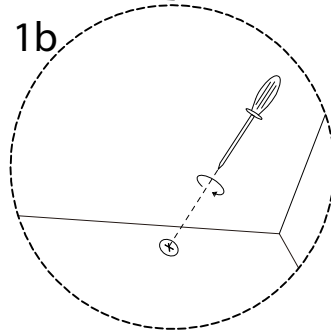
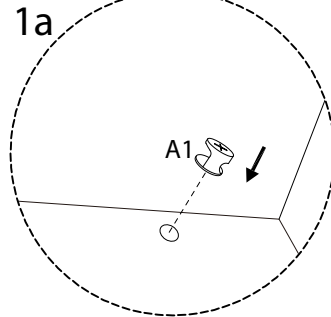
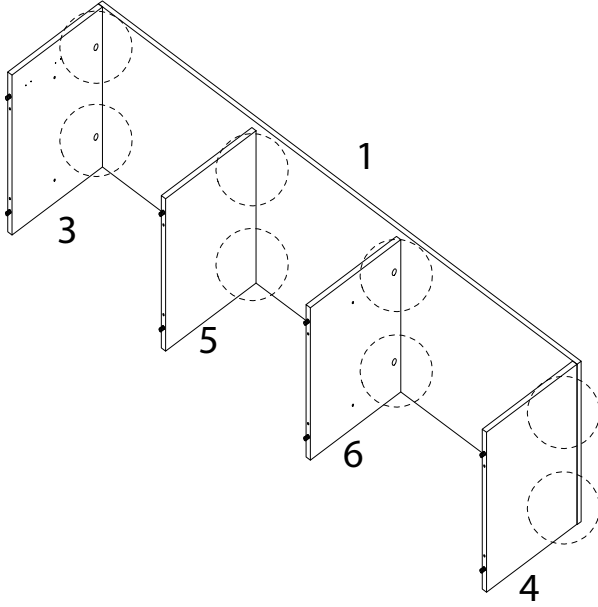


7

A1

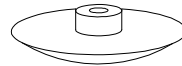


x 8

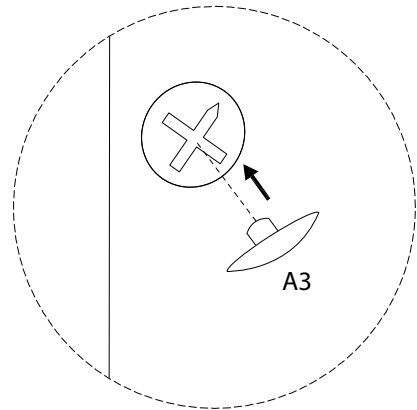
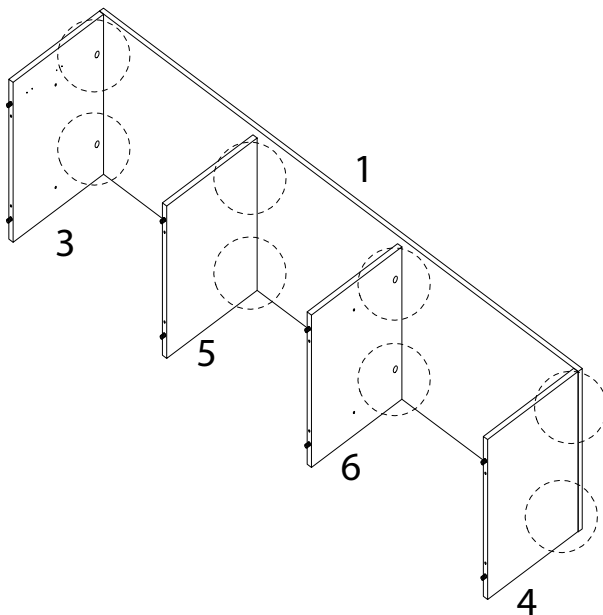


8



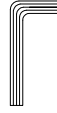
A3

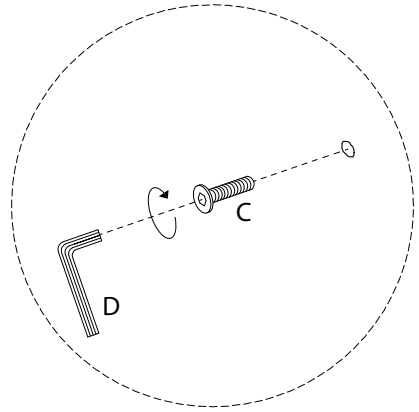
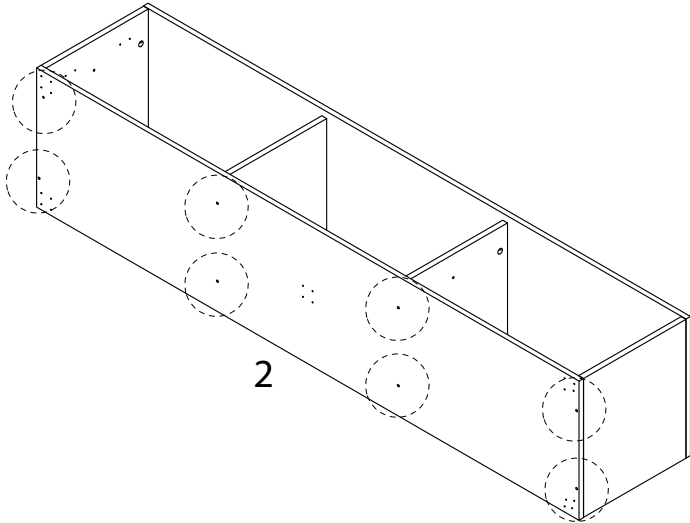


x 8

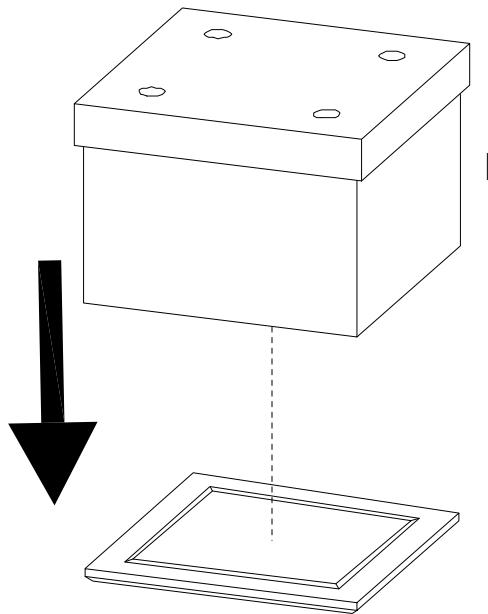


9

<p>2</p>  <p>x 1</p>	<p>C</p>  <p>M6 x 50</p> <p>x 8</p>	<p>D</p>  <p>x 1</p>
---	--	---

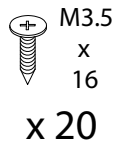


!

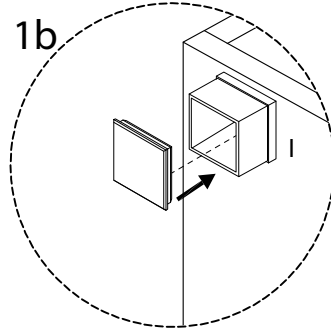
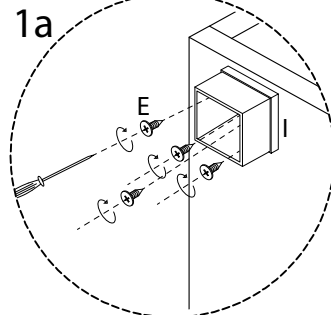
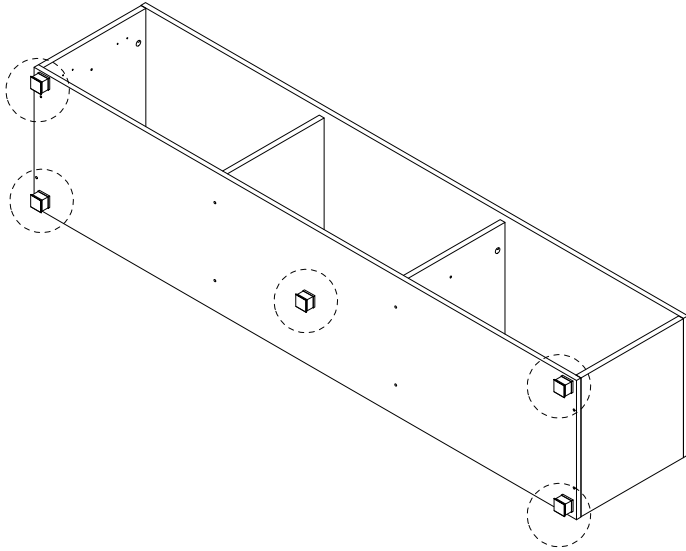
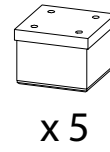


10

E

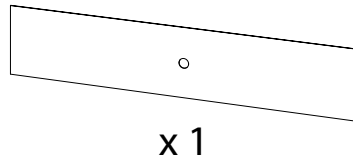


I

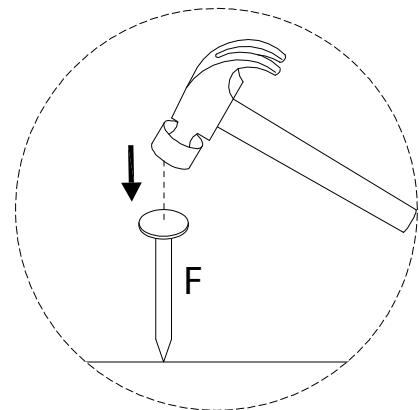
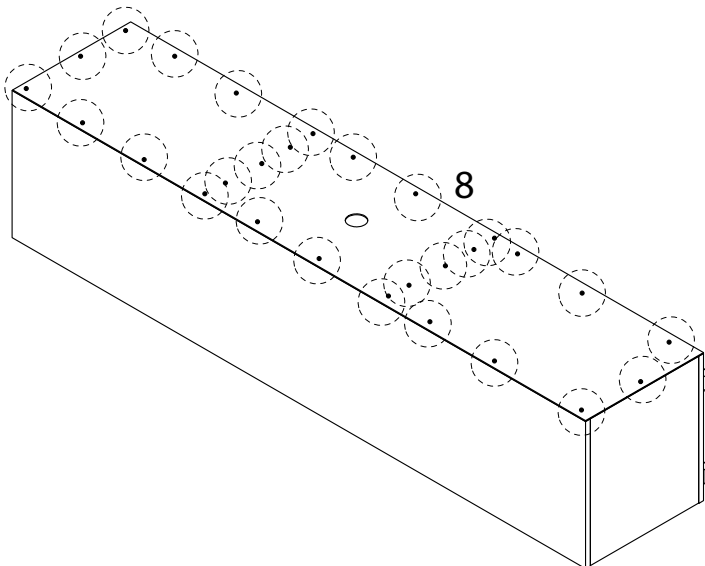
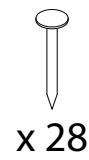


11

8

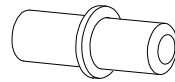


F

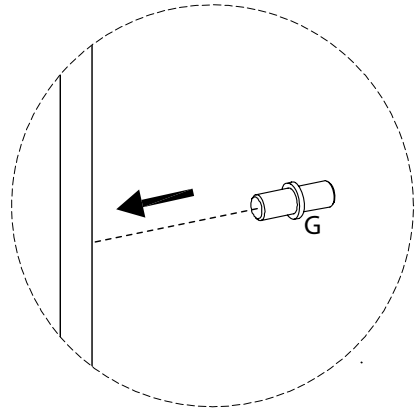
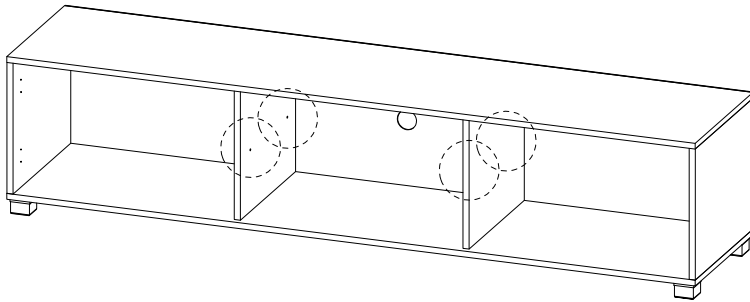


12

G

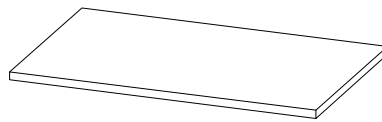


x4

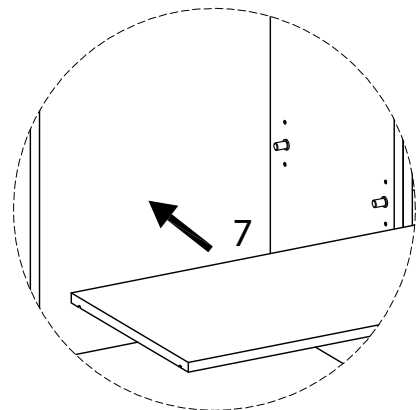
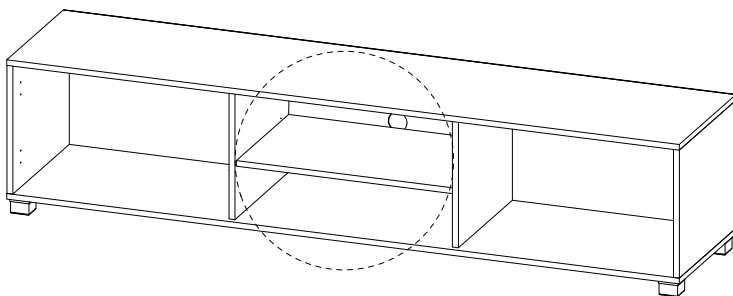


13

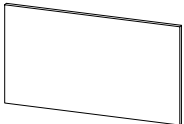
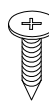

7

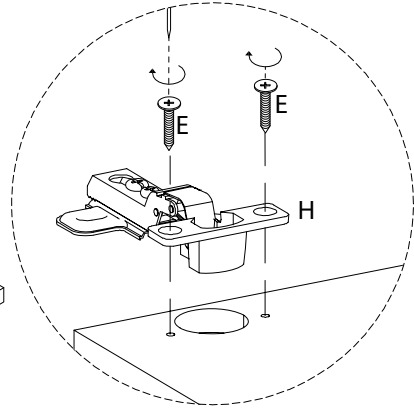
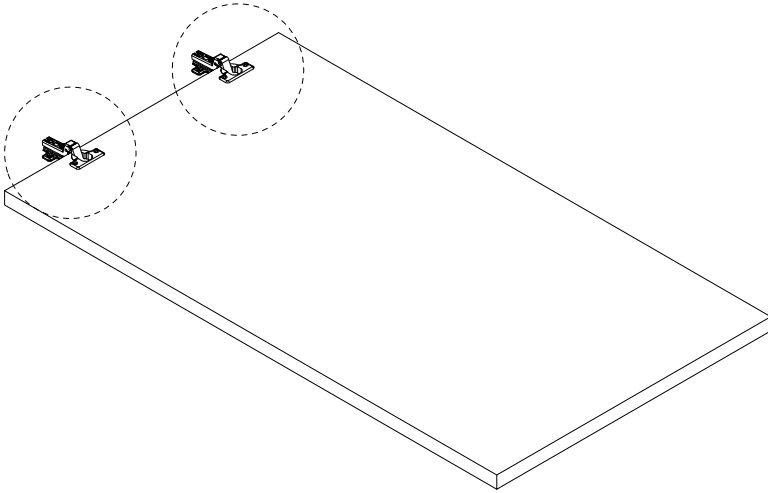


x1

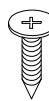


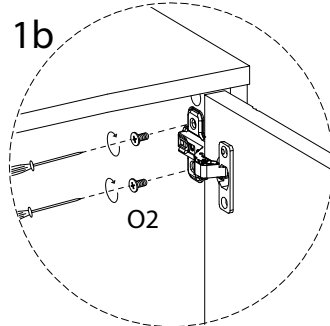
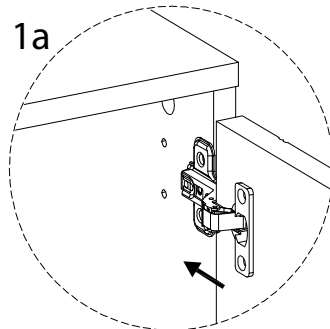
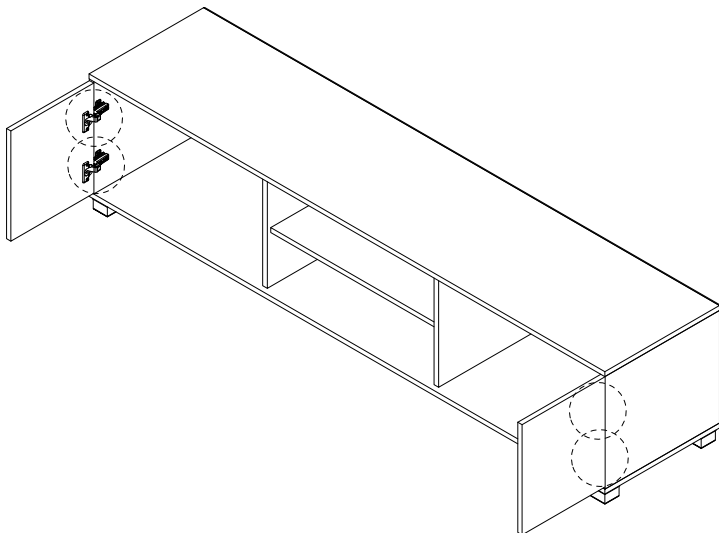
14 x 2

<p>9</p>  <p>x 1</p>	<p>E</p>  <p>M3.5 x 16</p> <p>x 4</p>	<p>H</p>  <p>x 2</p>
---	--	---



15

<p>E</p>  <p>M3.5 x 16</p> <p>x 8</p>
--



!

