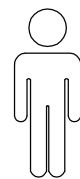
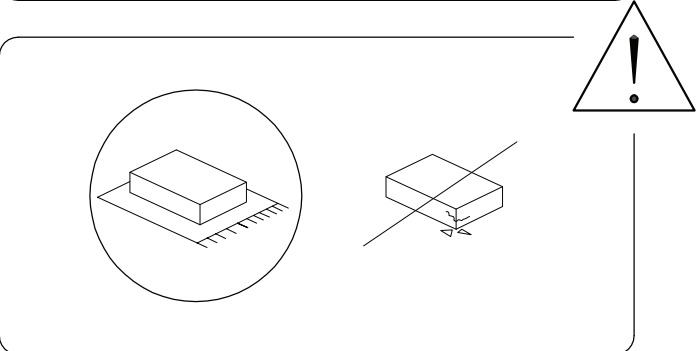
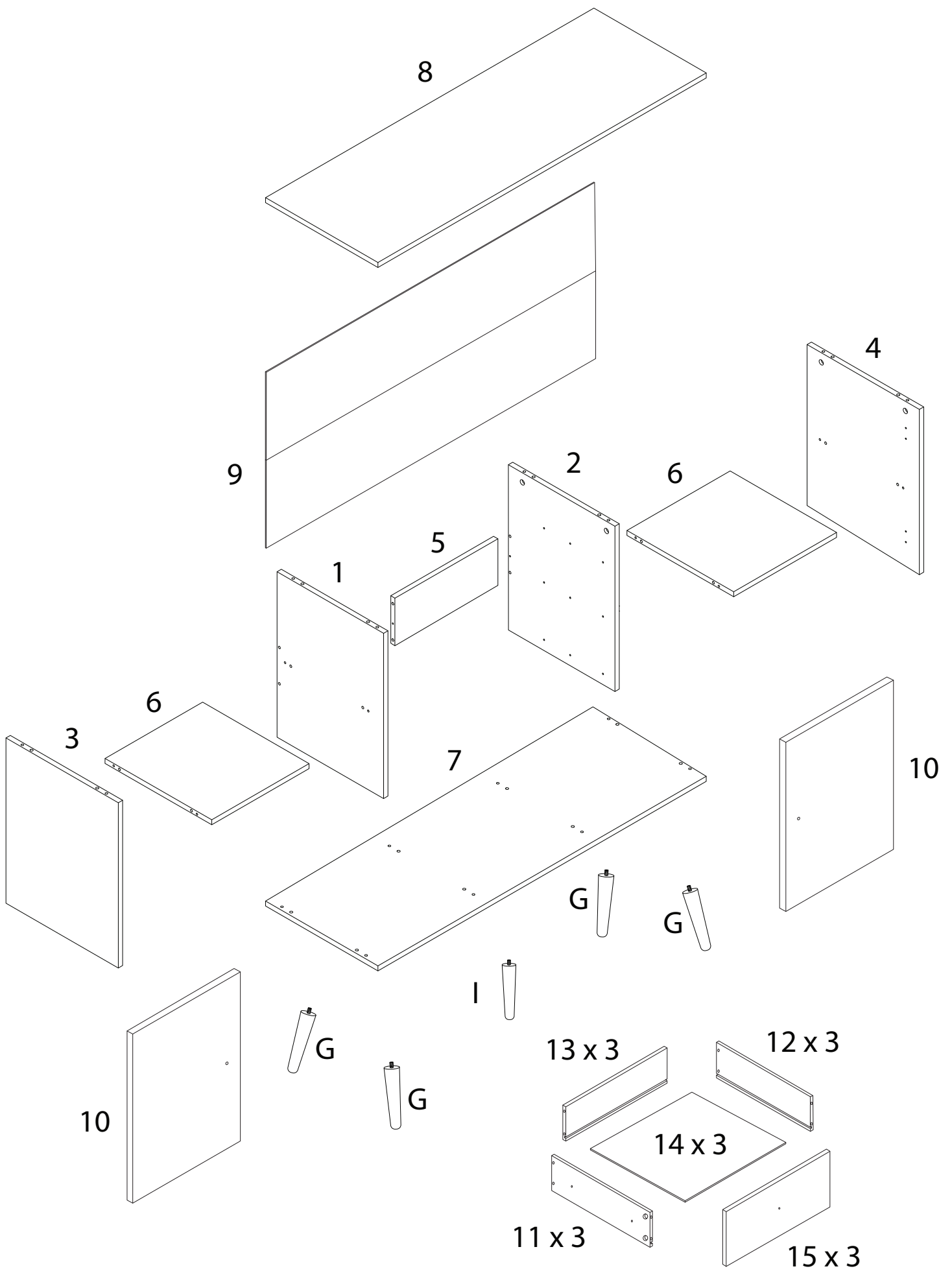
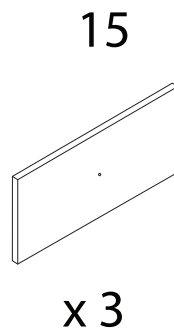
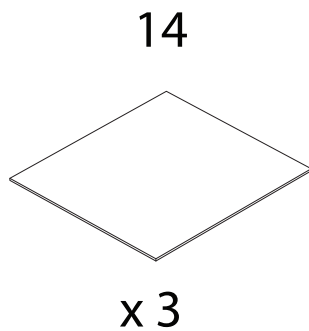
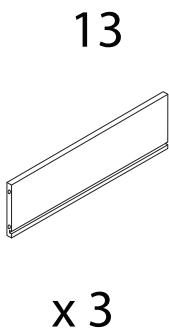
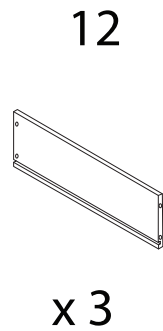
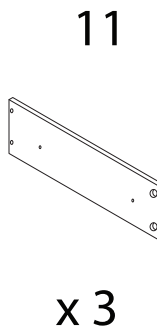
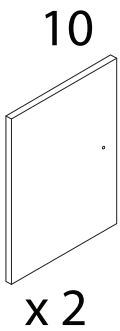
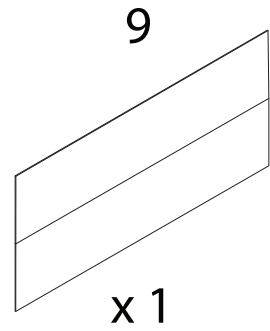
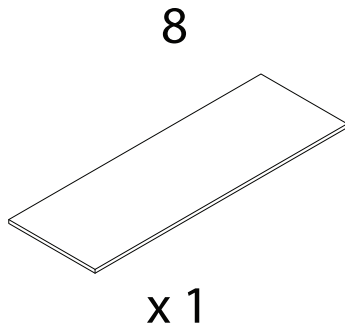
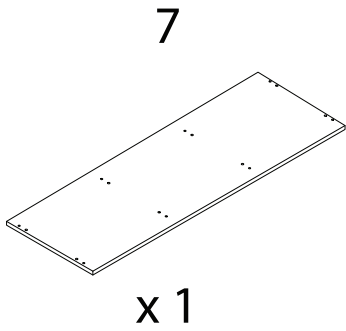
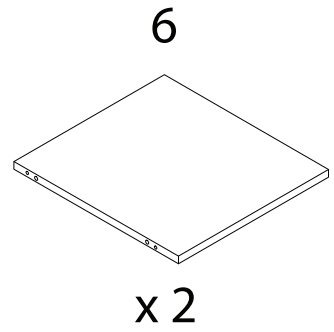
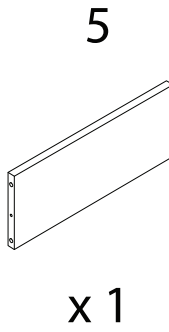
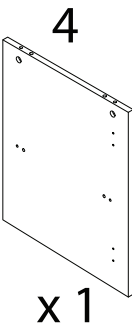
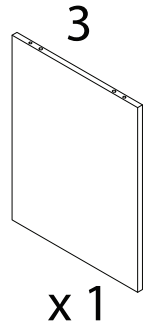
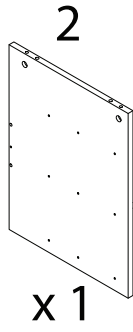
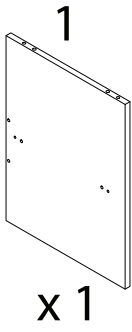


60'



2



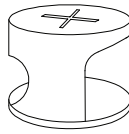


A



x 22

B



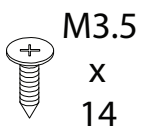
x 22

C



x 38

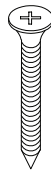
D



M3.5
x
14

x 46

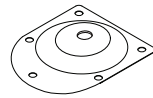
E



M5
x
40

x 18

F



x 4

G



x 4

H



M4
x
12

x 20

I



x 1

J



M3
x
12

x 16

K1



x 5

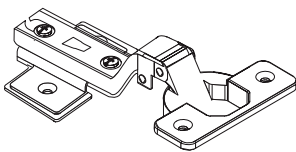
K2



M4
x
19

x 5

L



x 4

M1



x 2

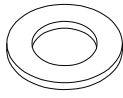
M2



M3.5
x
14

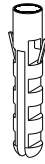
x 2

M3



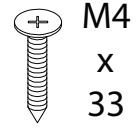
x 4

M4



x 2

M5



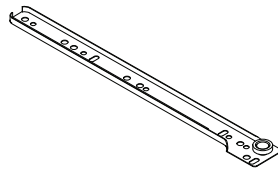
x 2

N



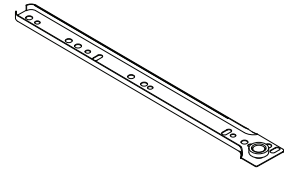
x 1

CL



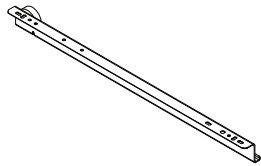
x 3

CR



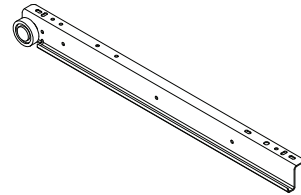
x 3

DL



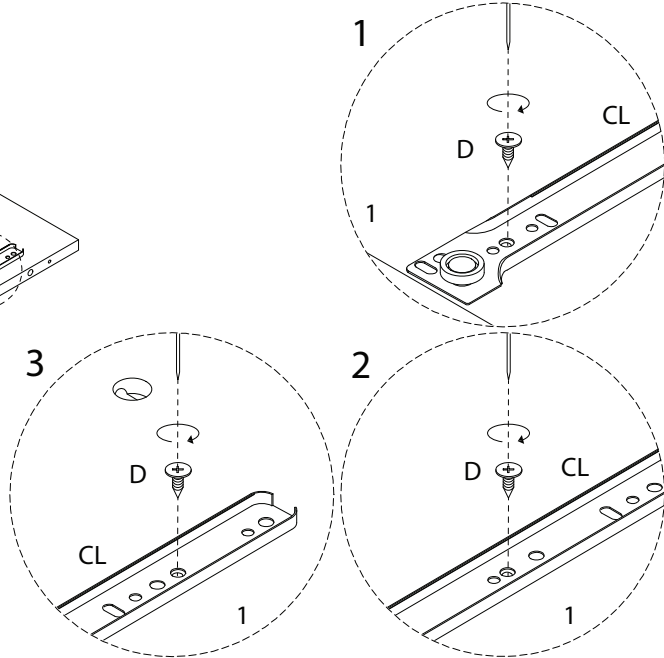
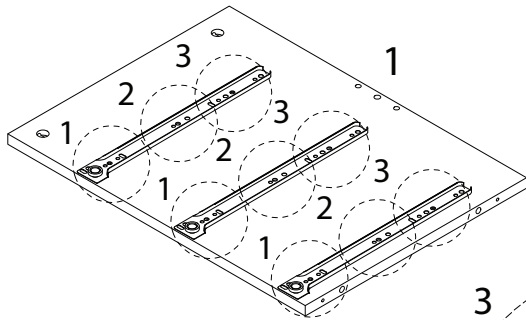
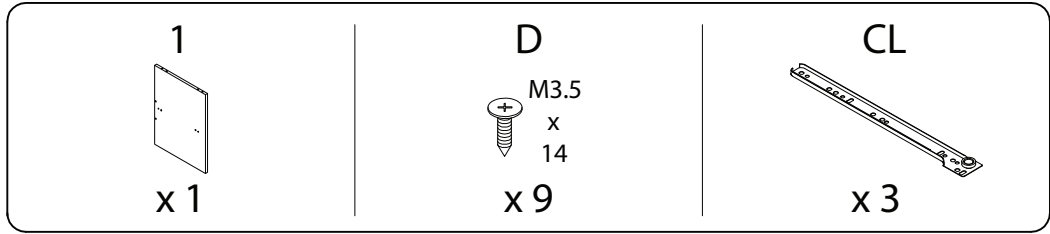
x 3

DR

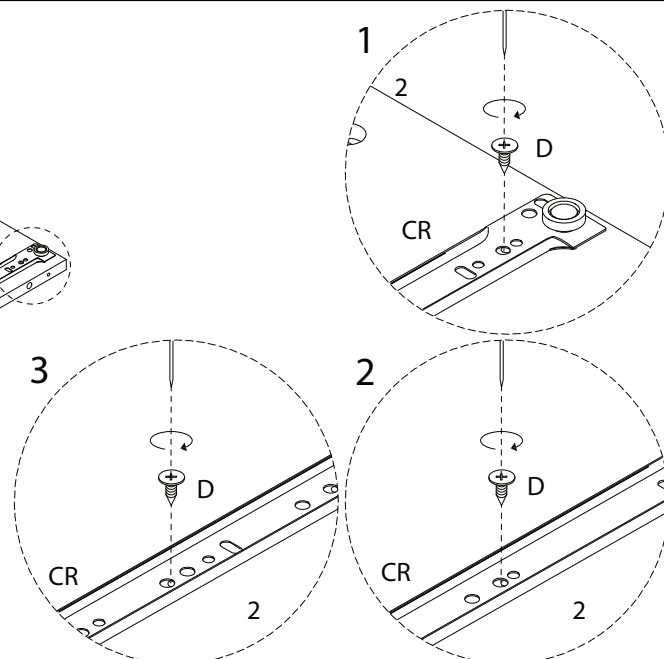
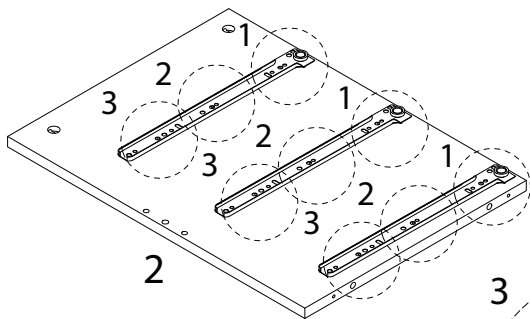
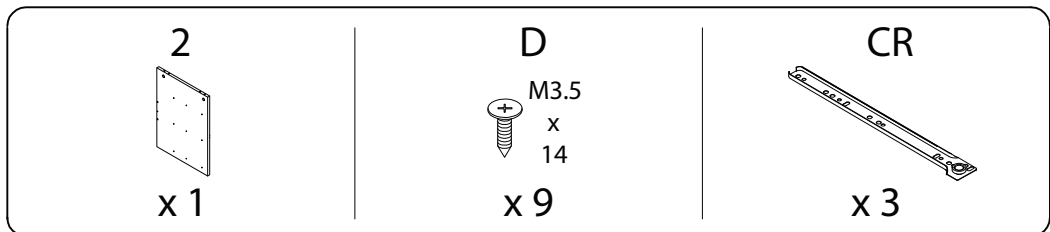


x 3

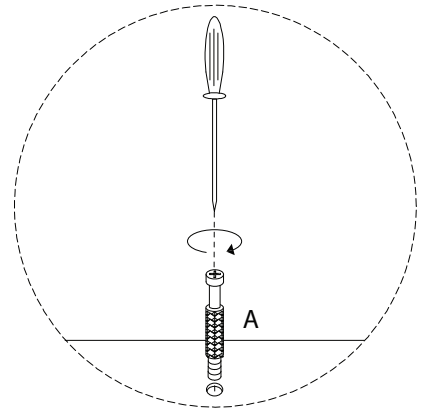
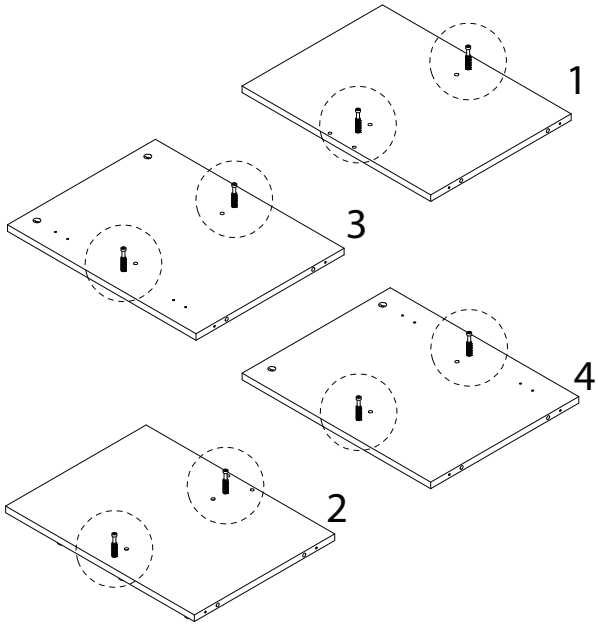
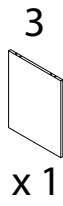
1



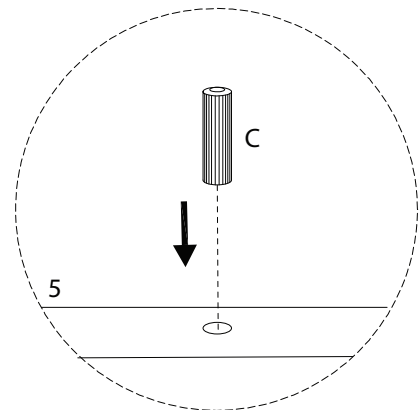
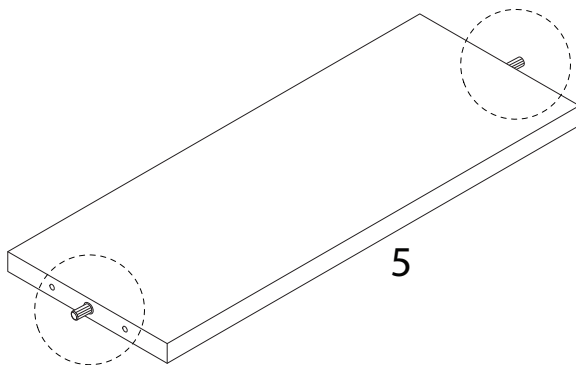
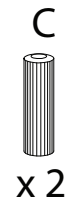
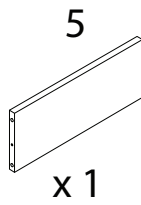
2



3

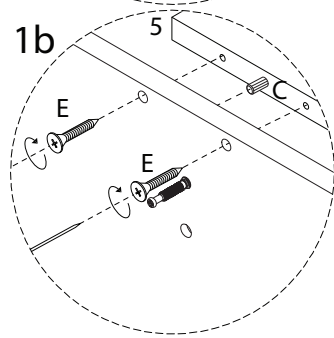
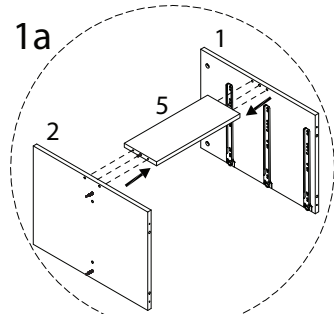
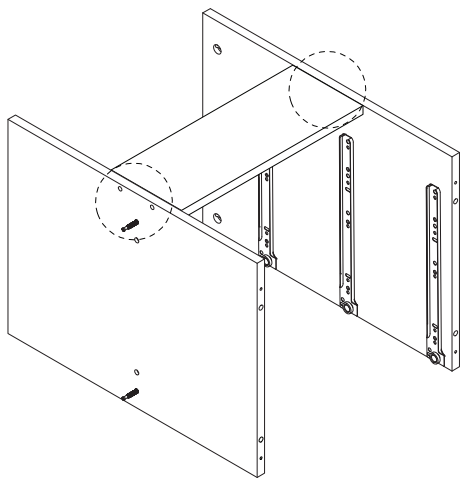


4



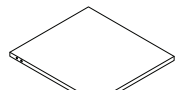
5

E
M5
x
40
x 4



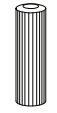
6 x 2

6

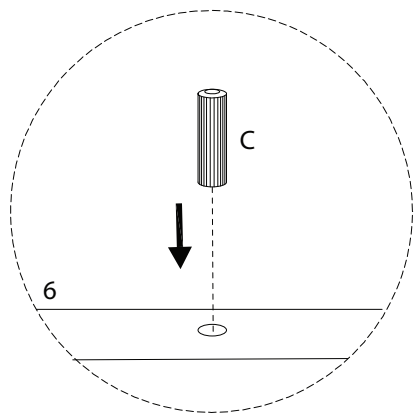
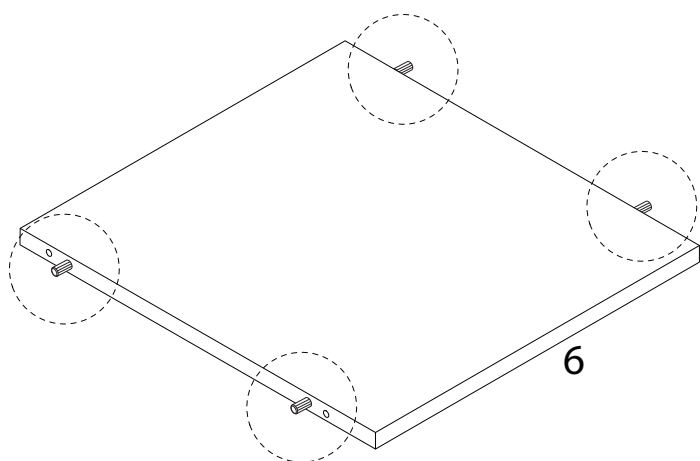


x 1

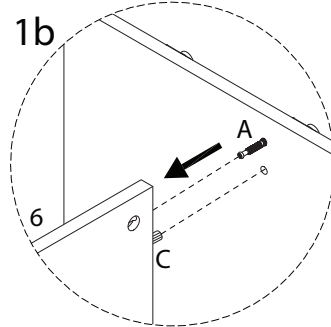
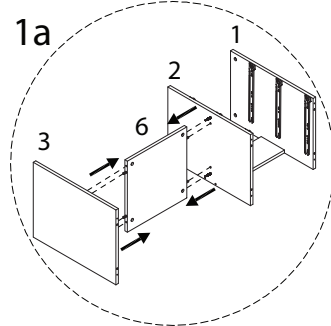
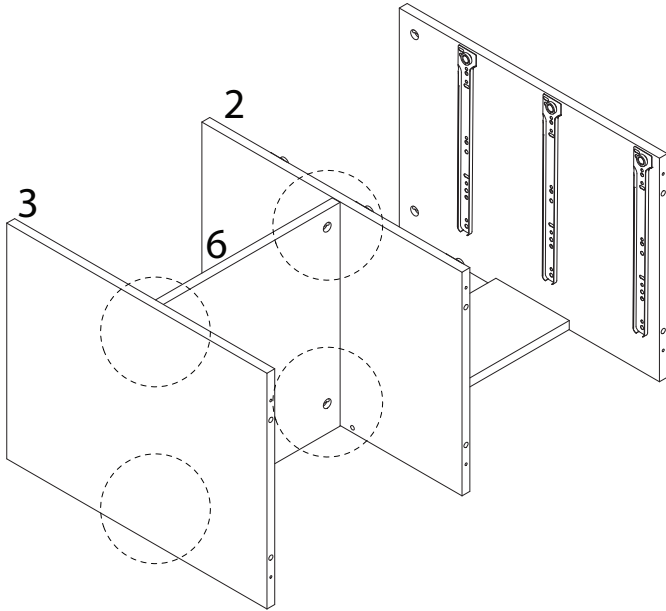
C



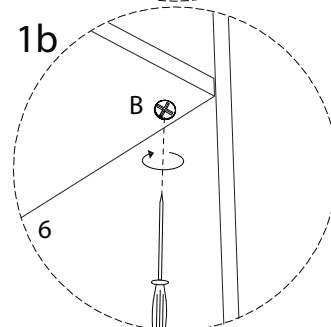
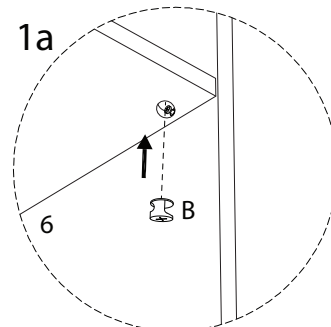
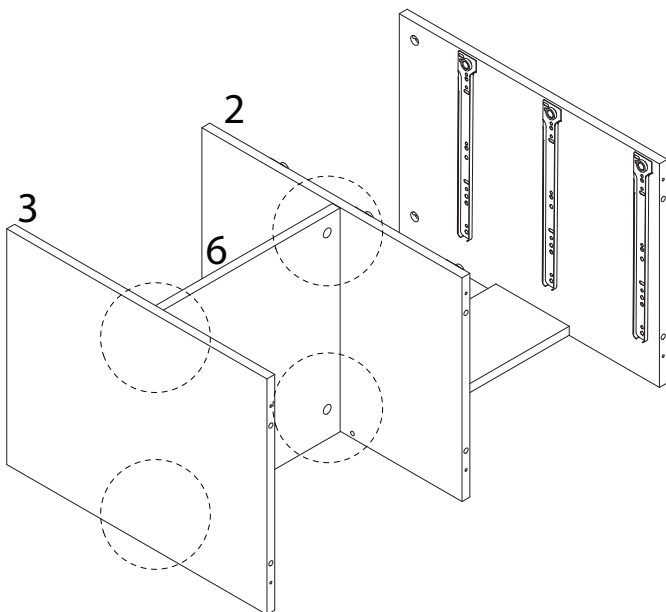
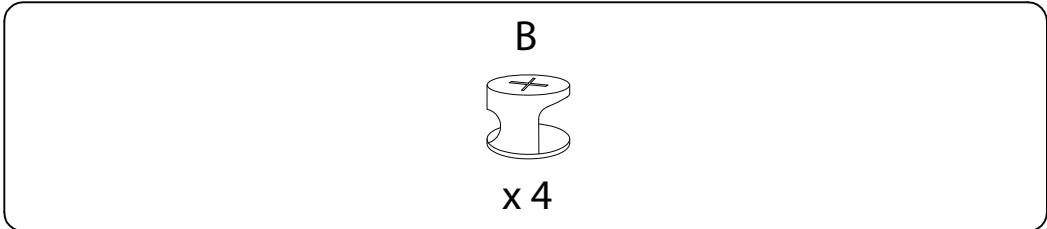
x 4



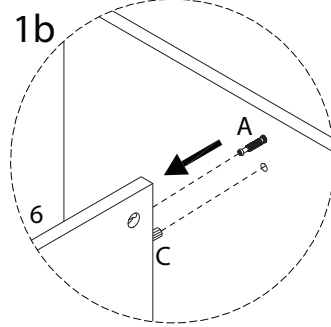
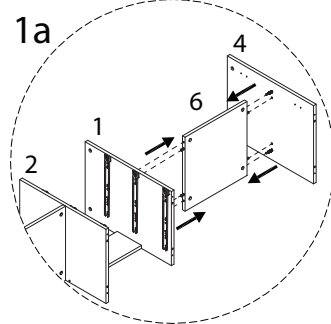
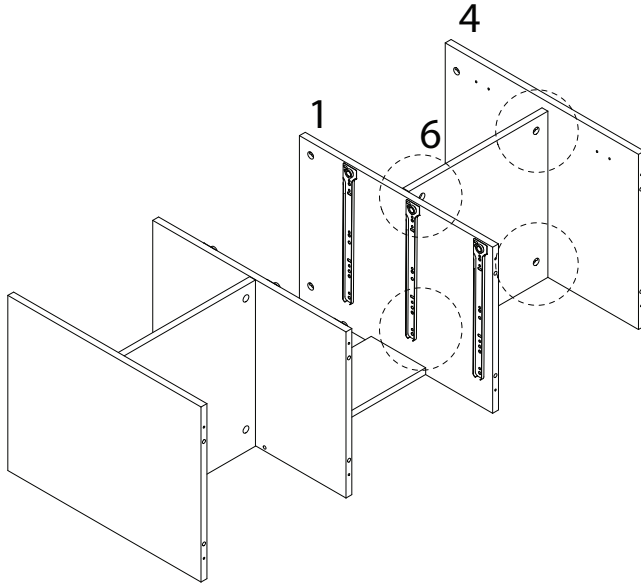
7



8



9

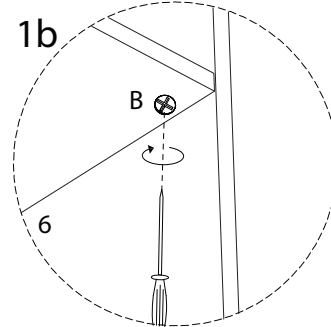
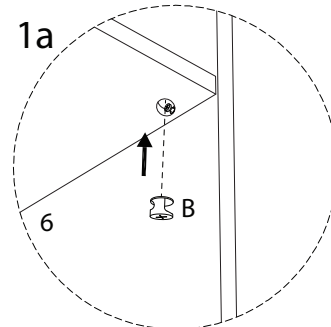
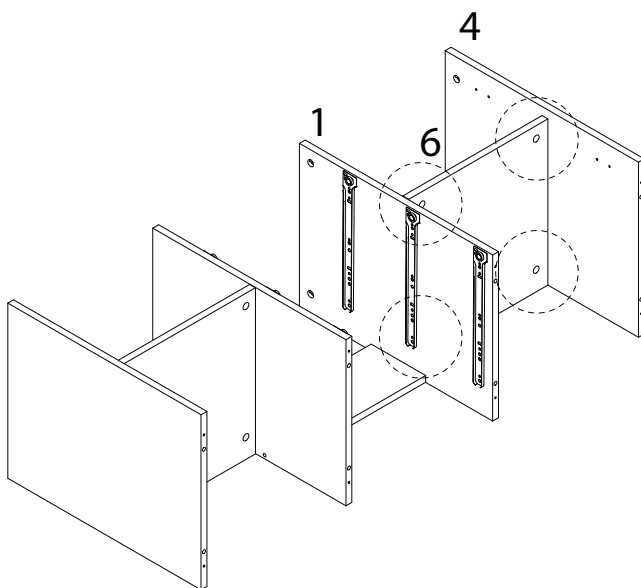


10

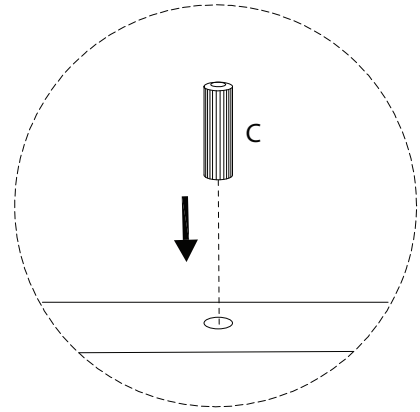
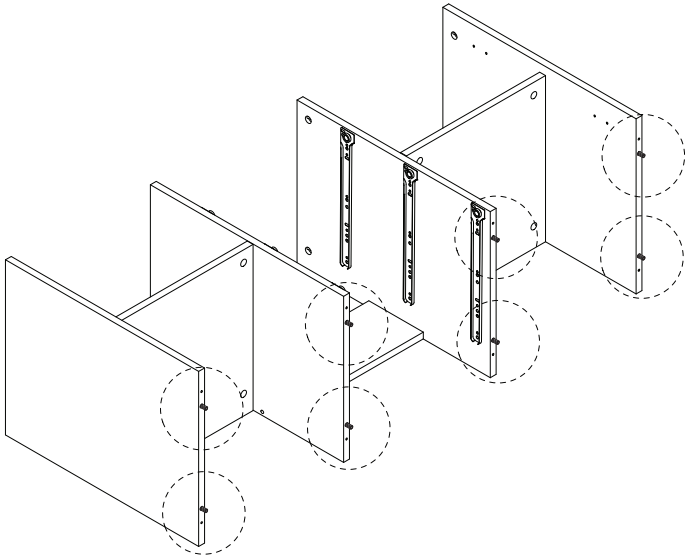
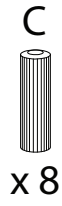
B



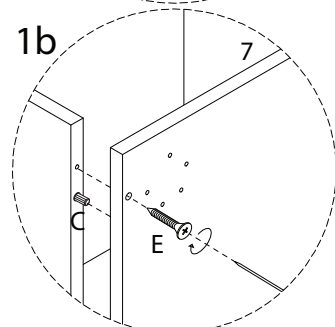
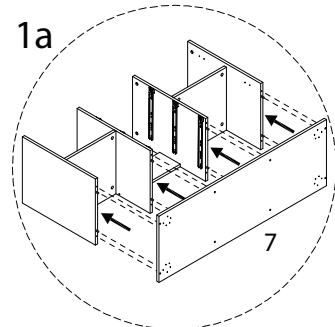
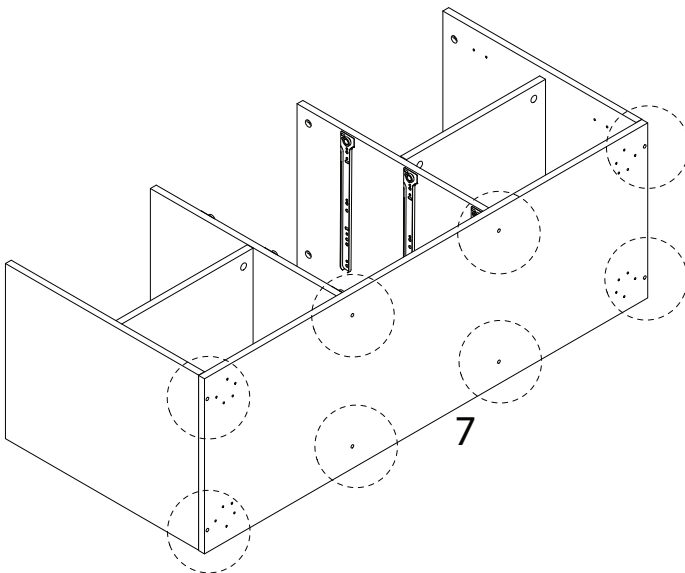
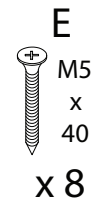
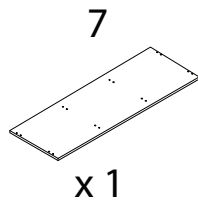
x 4



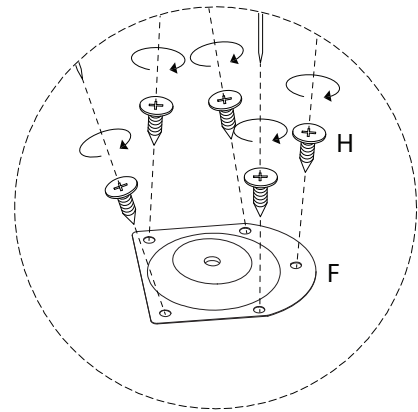
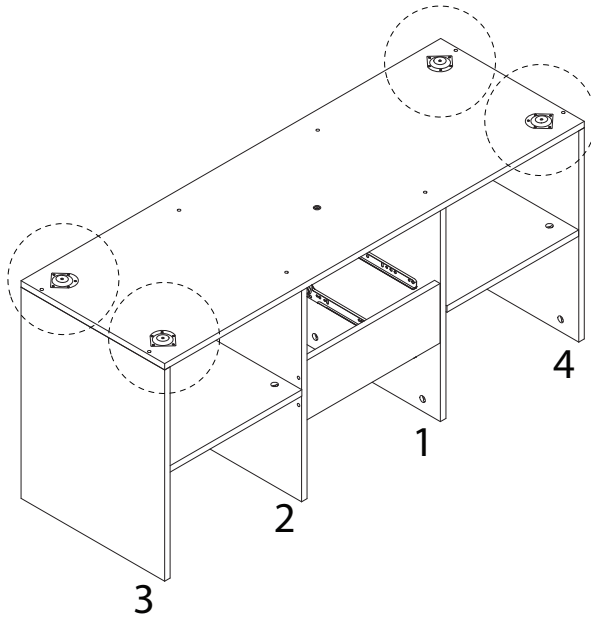
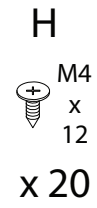
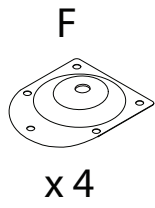
11



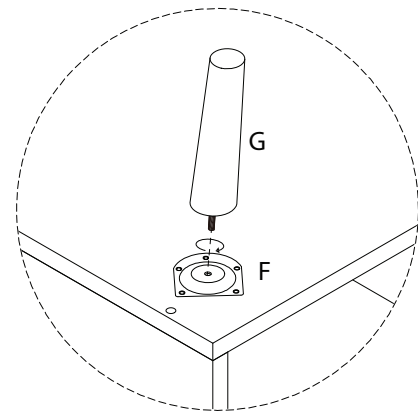
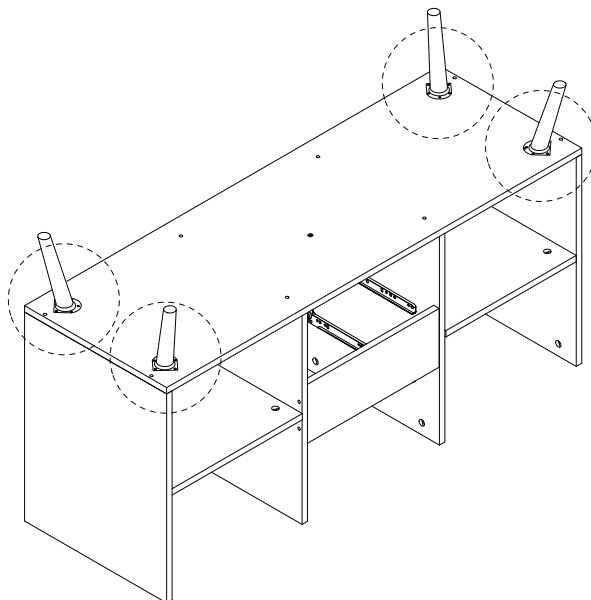
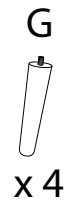
12



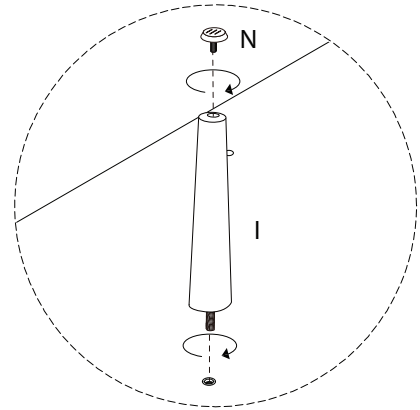
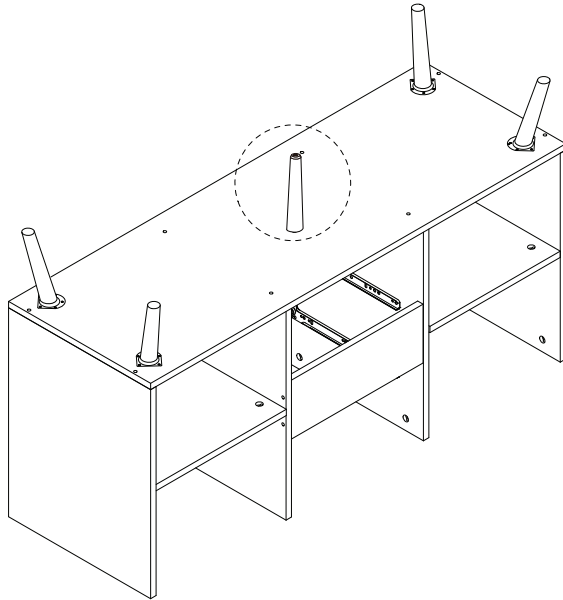
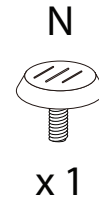
13



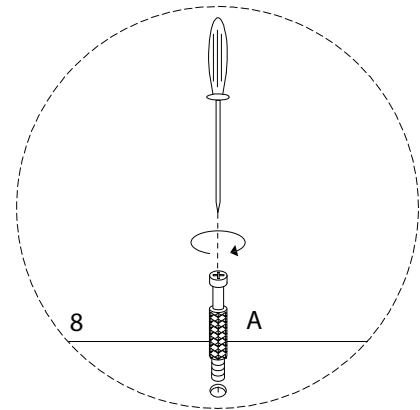
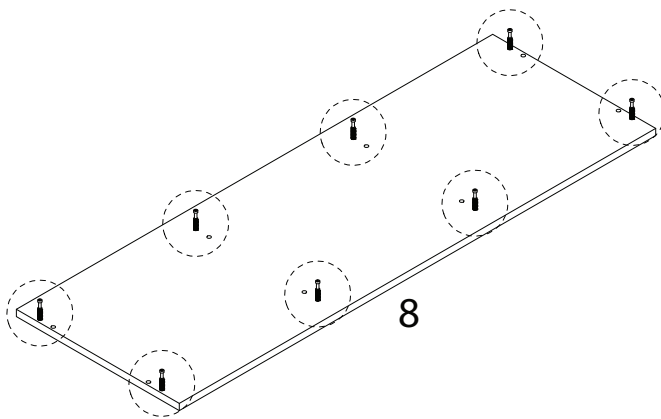
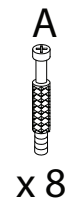
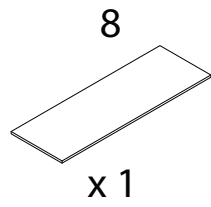
14



15

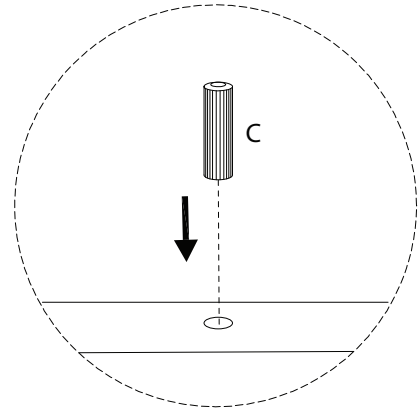
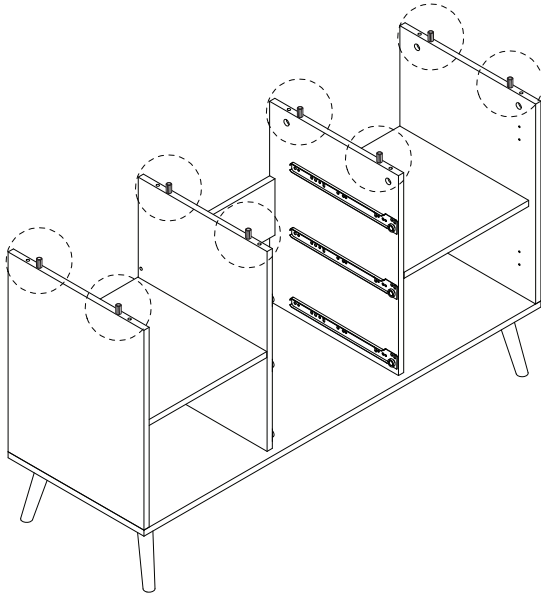


16

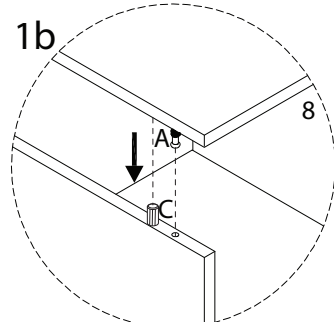
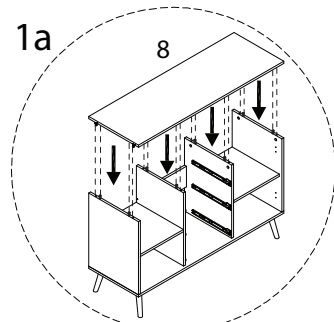
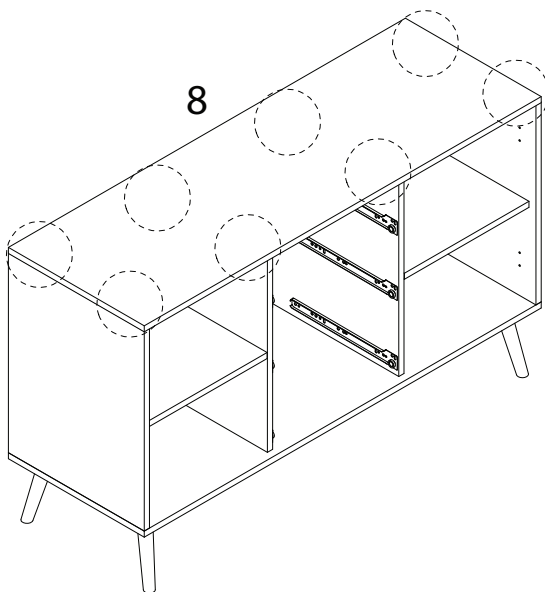


17

C
x 8



18

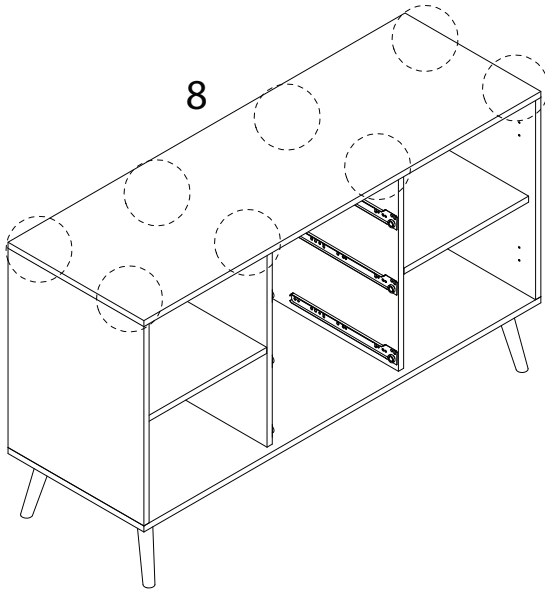


19

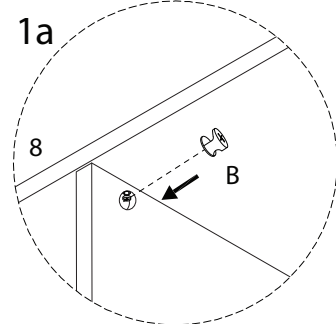
B



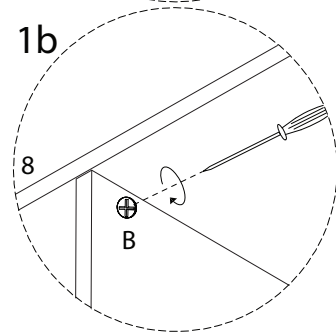
x 8



1a

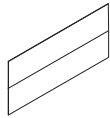


1b



20

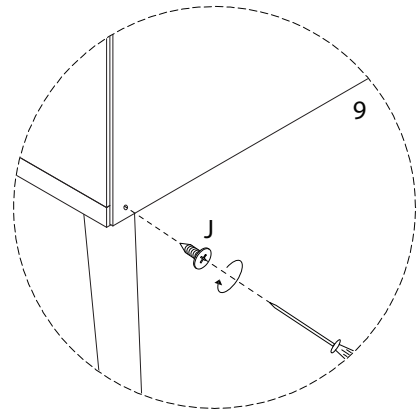
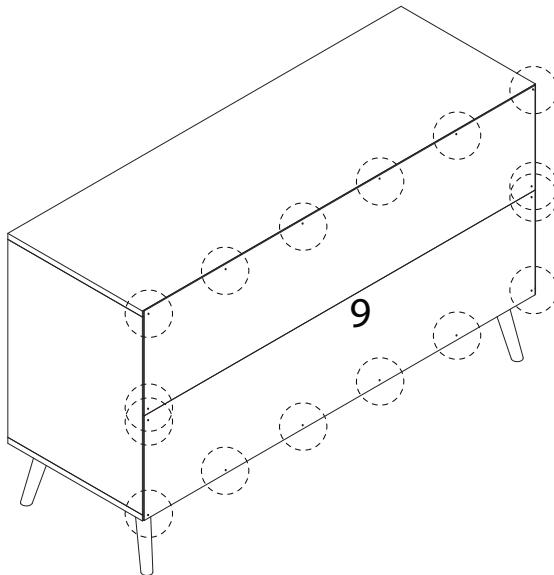
9



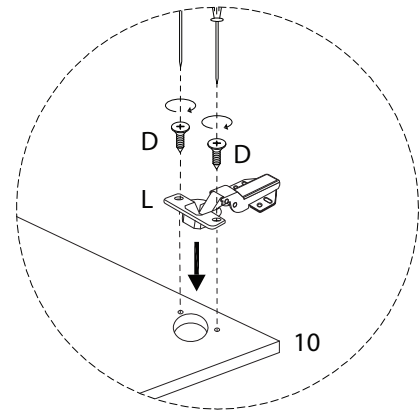
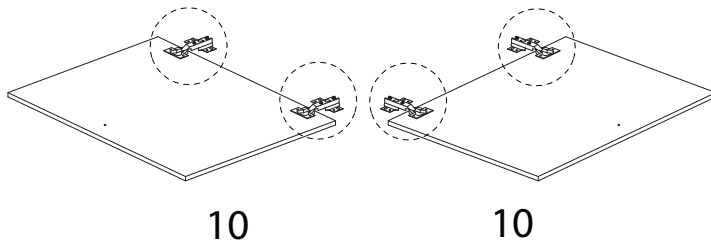
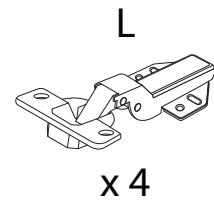
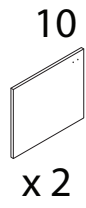
x 1

J

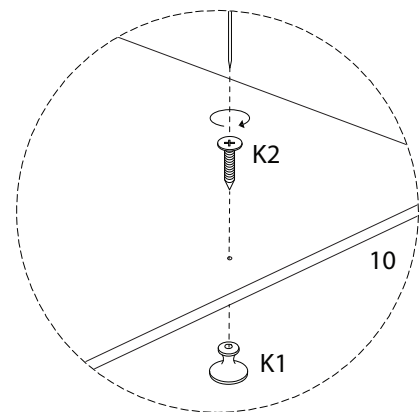
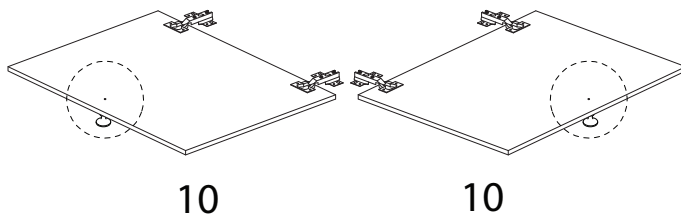
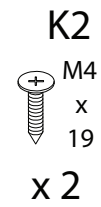
M3
x
12
x 16



21



22

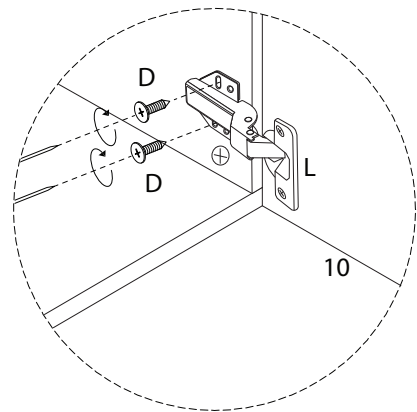
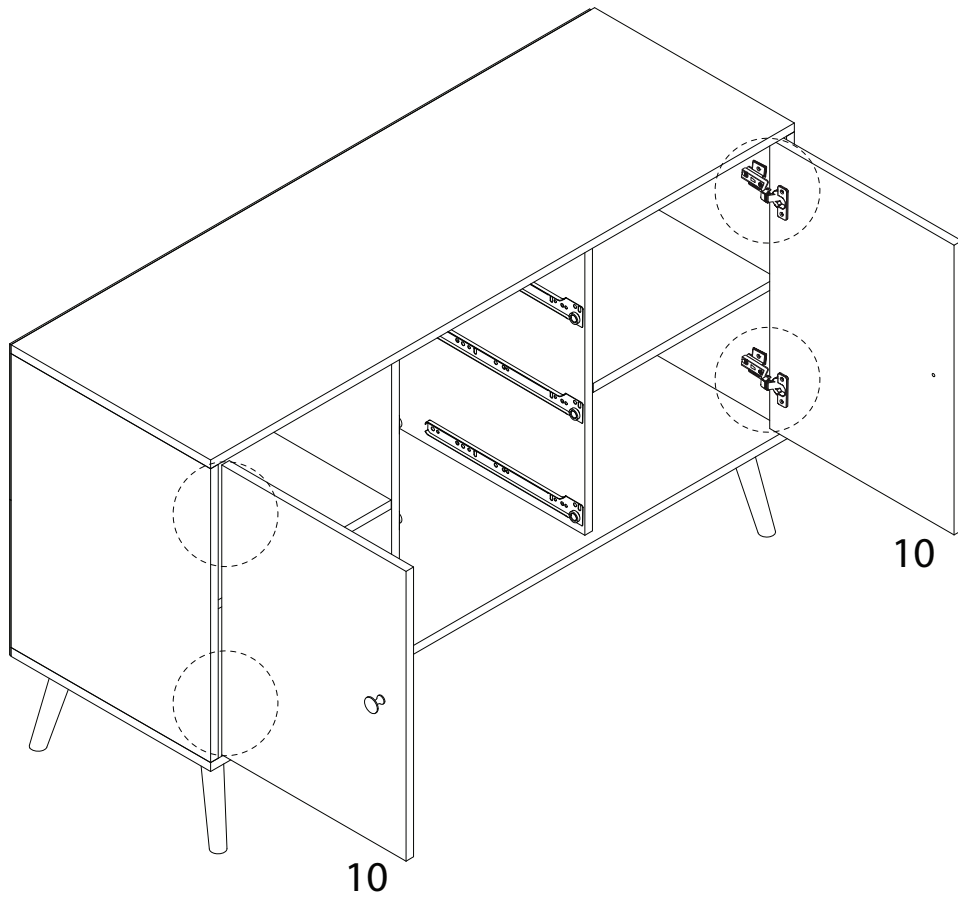


23

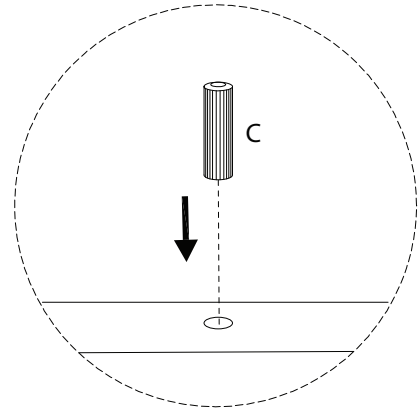
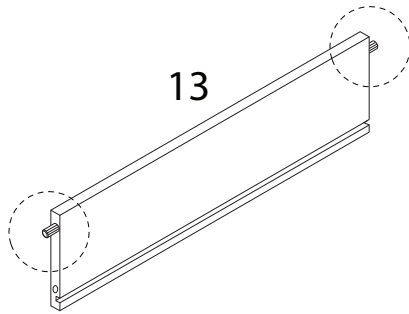
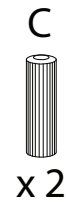
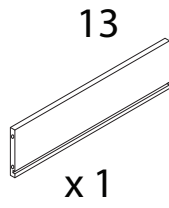
D



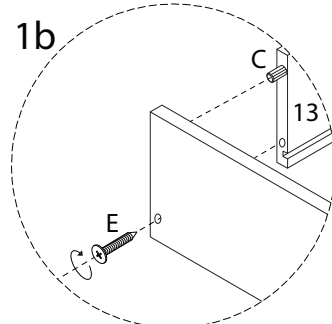
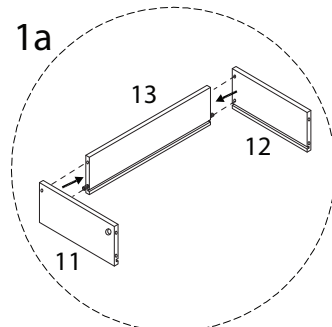
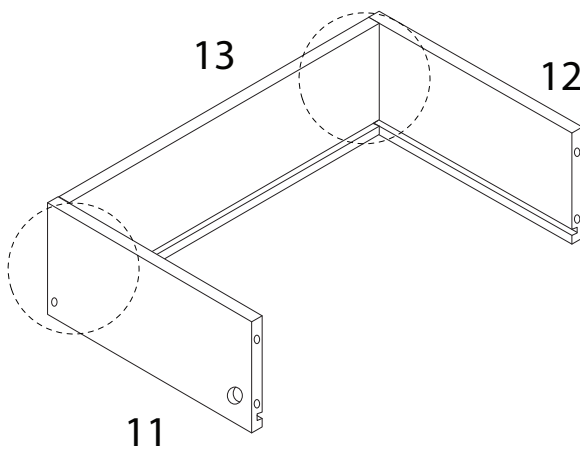
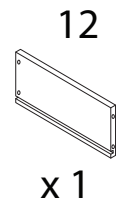
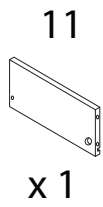
x 8



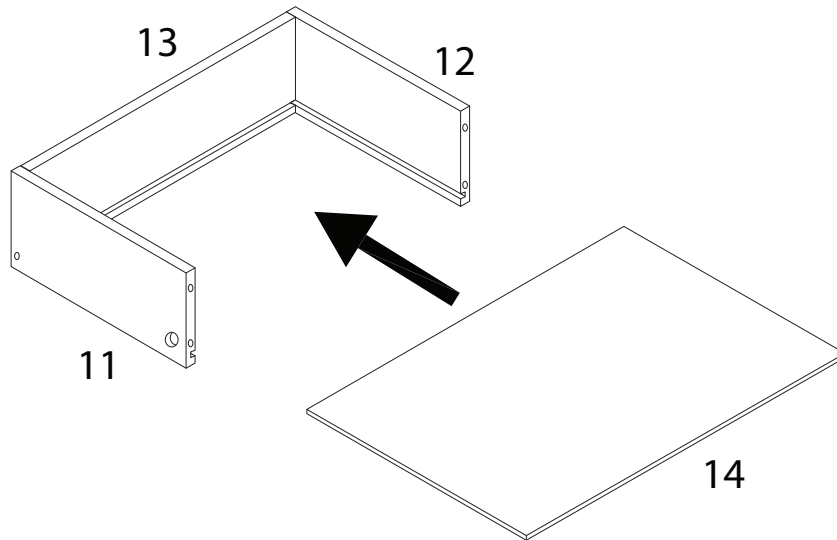
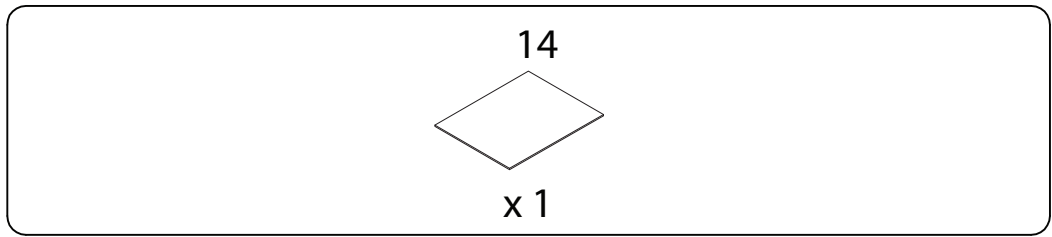
24 x 3



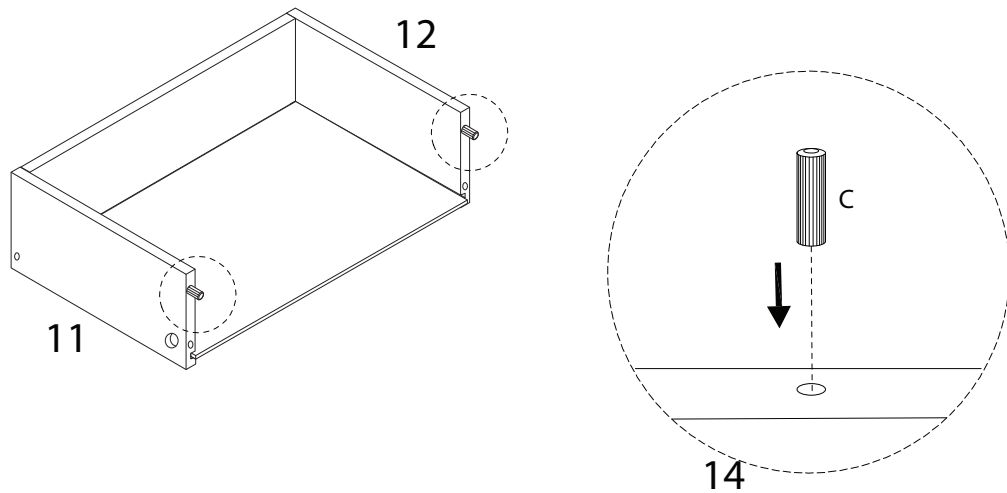
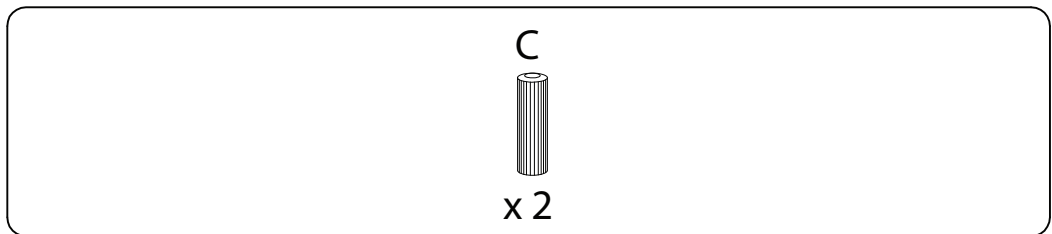
25 x 3



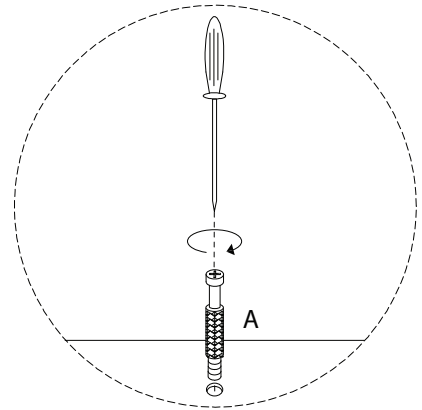
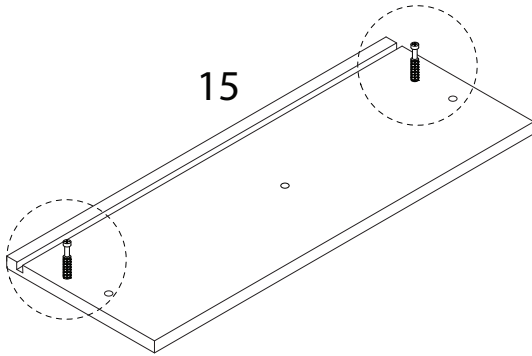
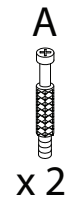
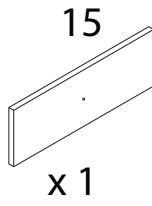
26 x 3



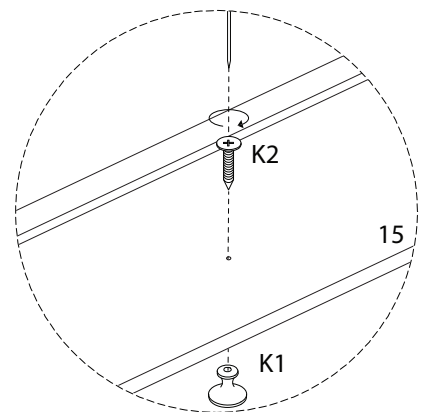
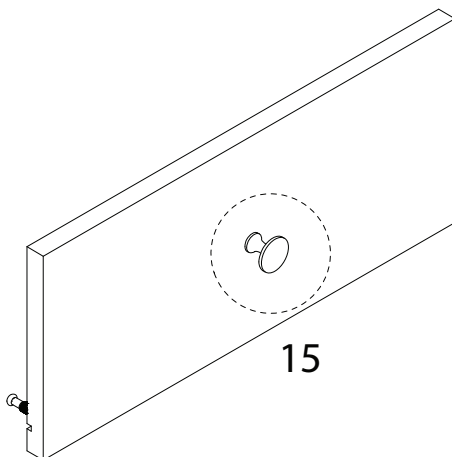
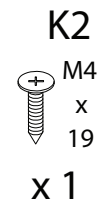
27 x 3



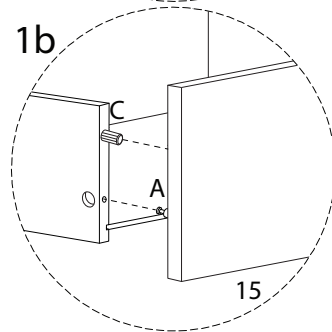
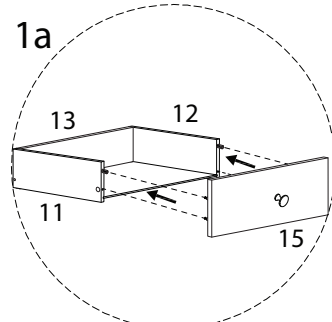
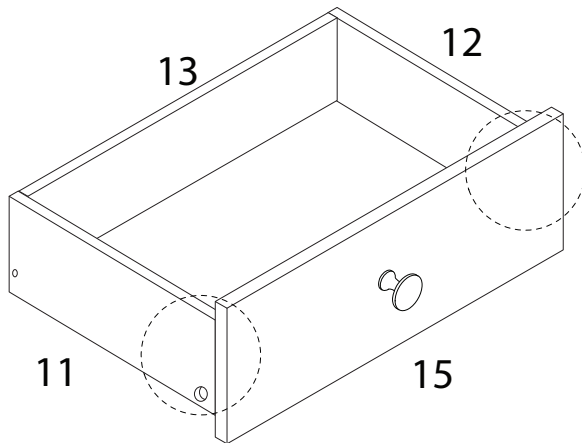
28 x 3



29 x 3



30 x 3

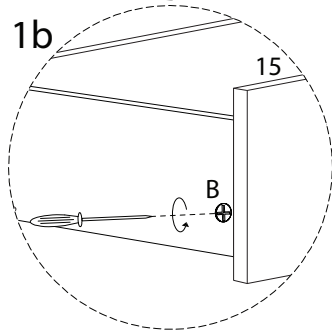
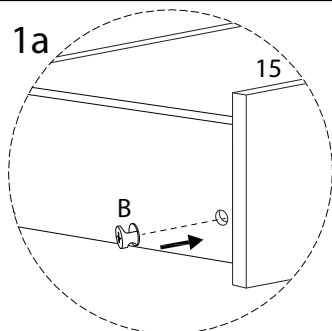
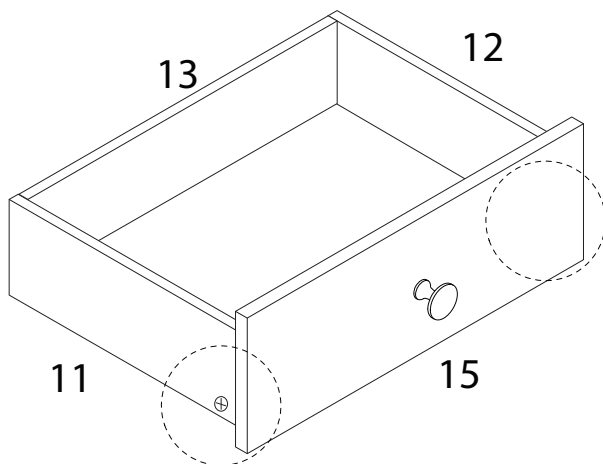


31 x 3

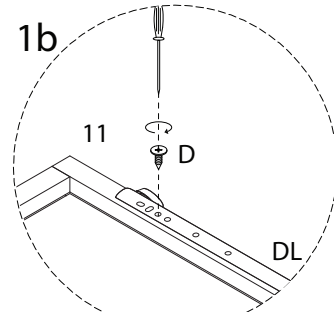
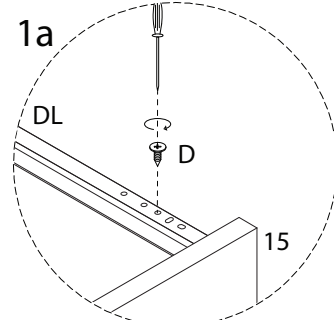
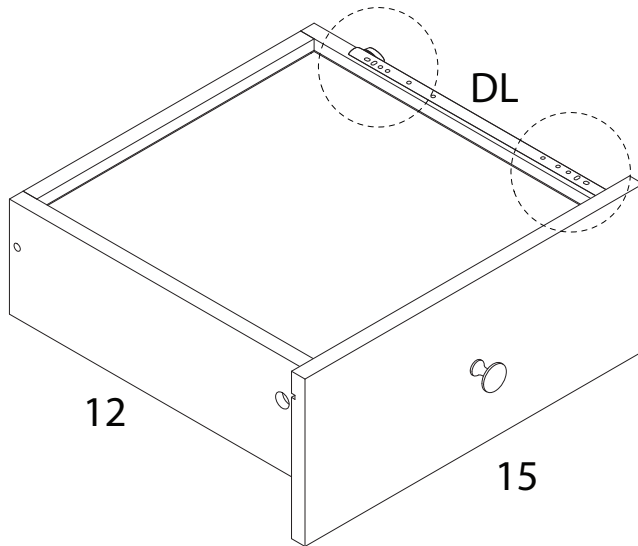
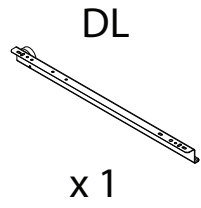
B



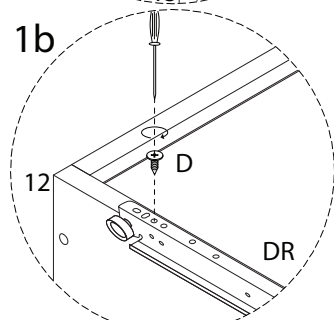
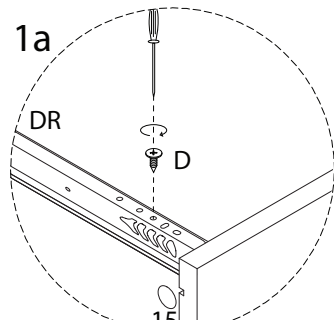
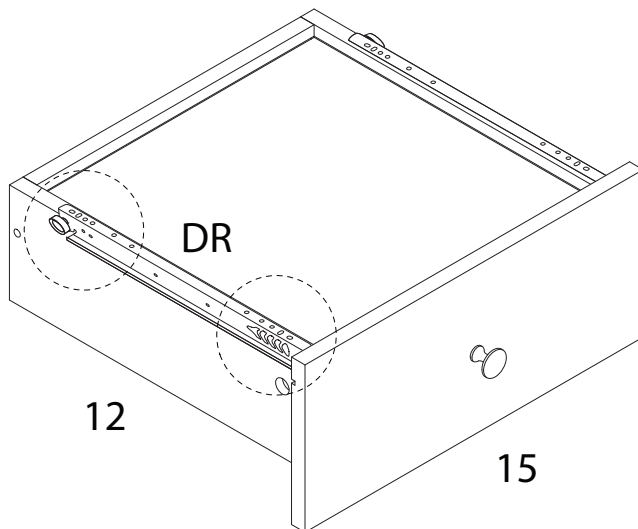
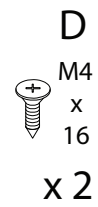
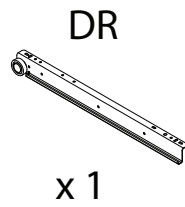
x 2



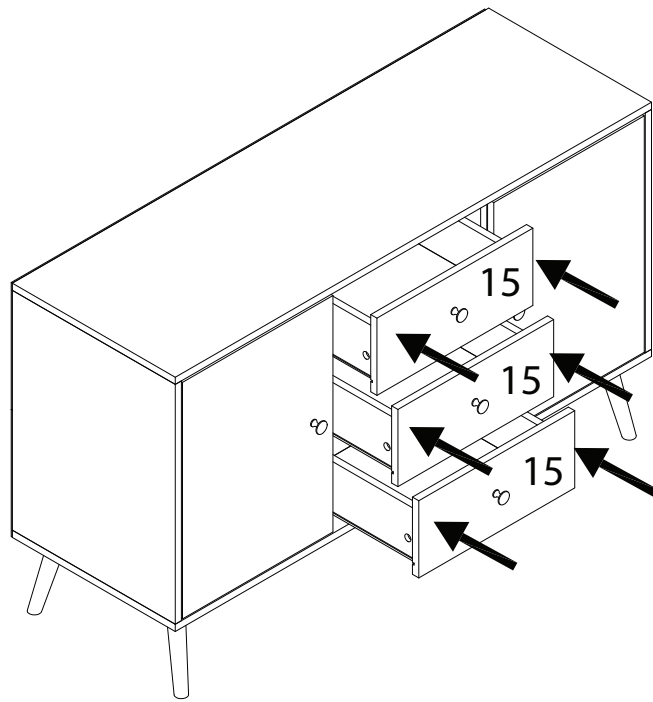
32 x 3







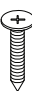
33 x 3

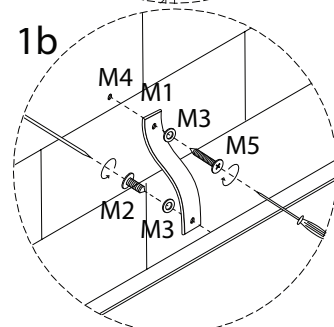
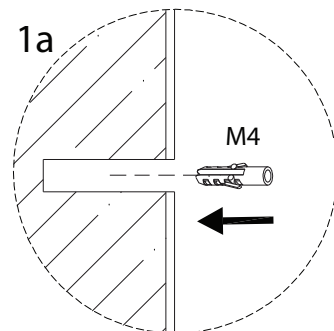
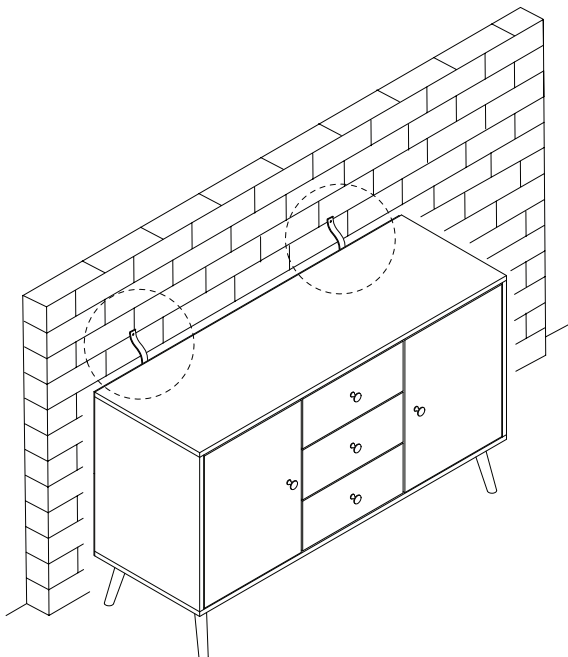


34



35

<p>M1</p>  <p>x 2</p>	<p>M2</p>  <p>M3.5 x 14</p> <p>x 2</p>	<p>M3</p>  <p>x 4</p>	<p>M4</p>  <p>x 2</p>	<p>M5</p>  <p>M4 x 33</p> <p>x 2</p>
--	---	--	--	---



36

