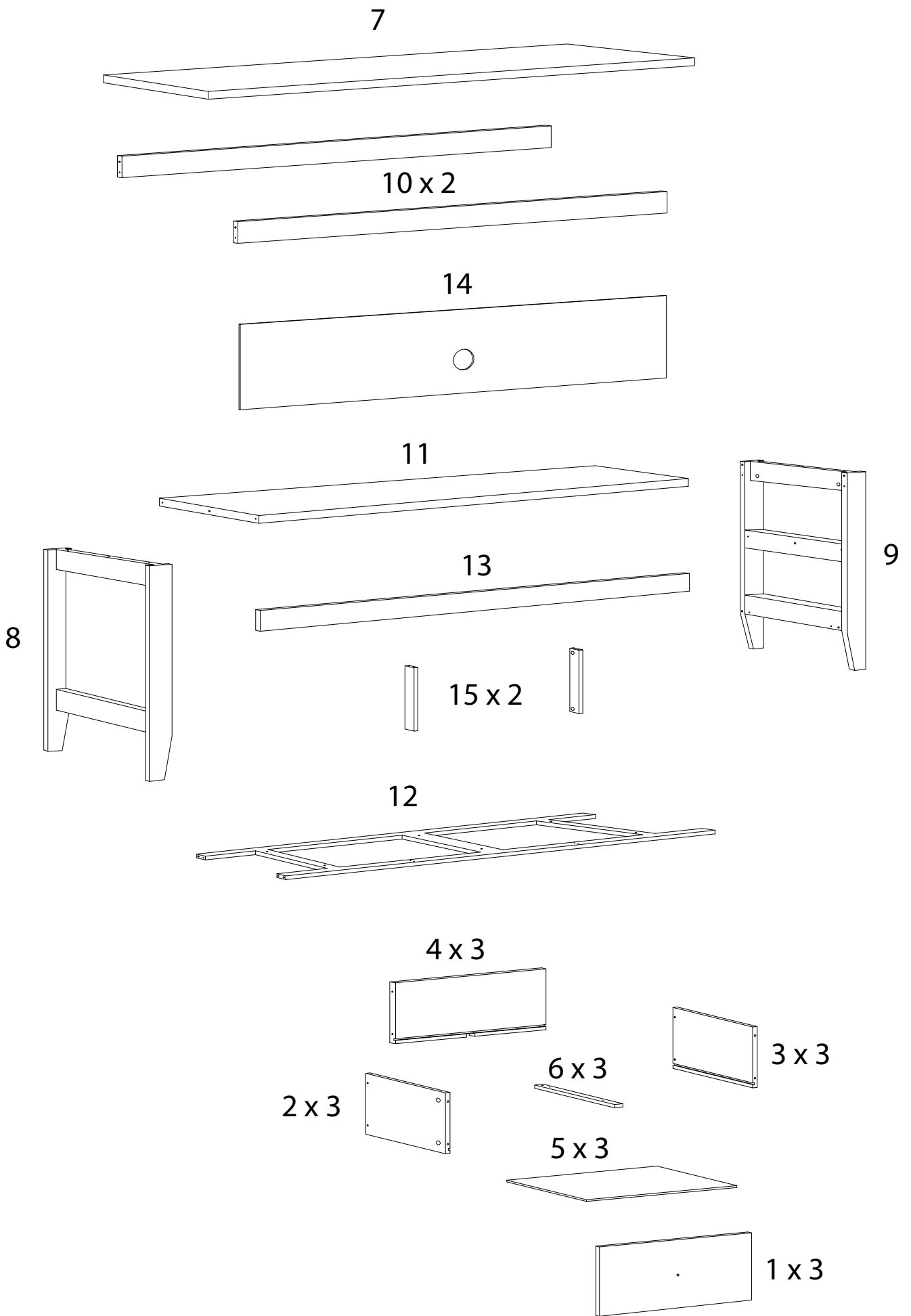
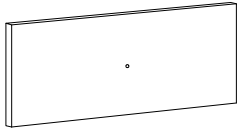


Assembly instructions for step 1/14:

- Tools:** A screwdriver is shown as the required tool. A power drill is shown with a diagonal line through it, indicating it is not to be used.
- Warning:** A warning triangle with an exclamation mark is positioned above the tool icons.
- Time:** A clock icon is shown, with the number "80'" below it, indicating an estimated assembly time of 80 minutes.
- Personnel:** An icon of a person is shown, with the number "2" below it, indicating that two people are required for assembly.
- Diagram:** A second warning triangle with an exclamation mark is positioned above a diagram showing a rectangular block being placed on a surface. A diagonal line through the block indicates that it should not be placed on its side.

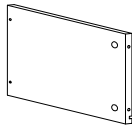


1



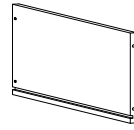
x 3

2



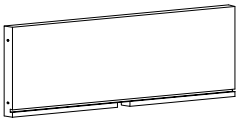
x 3

3



x 3

4



x 3

5



x 3

6



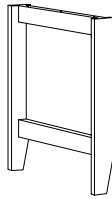
x 3

7



x 1

8



x 1

9



x 1

10



x 2

11



x 1

12



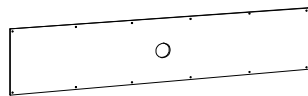
x 1

13



x 1

14



x 1

15



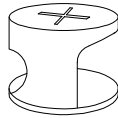
x 2

A



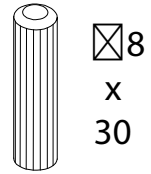
x 38

B



x 38

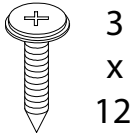
C



8
x
30

x 18

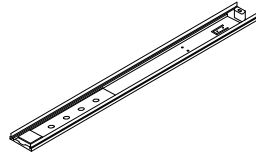
D



3
x
12

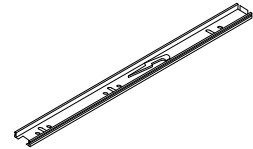
x 12

E



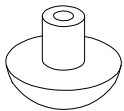
x 3

F



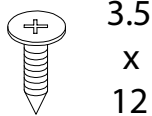
x 3

G



x 3

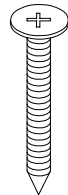
H



3.5
x
12

x 12

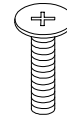
I



4
x
30

x 3

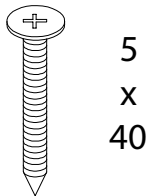
J



M4
x
22

x 3

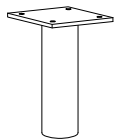
K



5
x
40

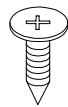
x 12

L



x 1

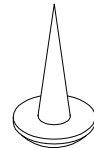
M



4
x
12

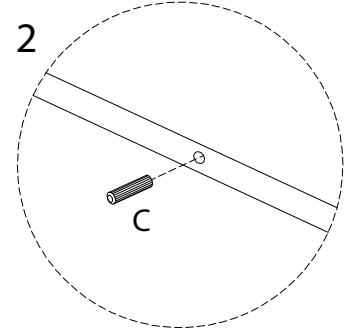
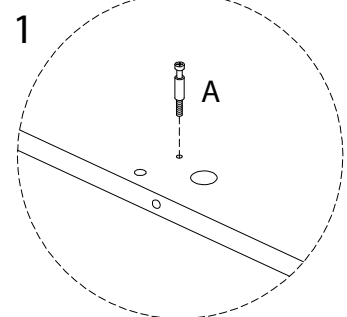
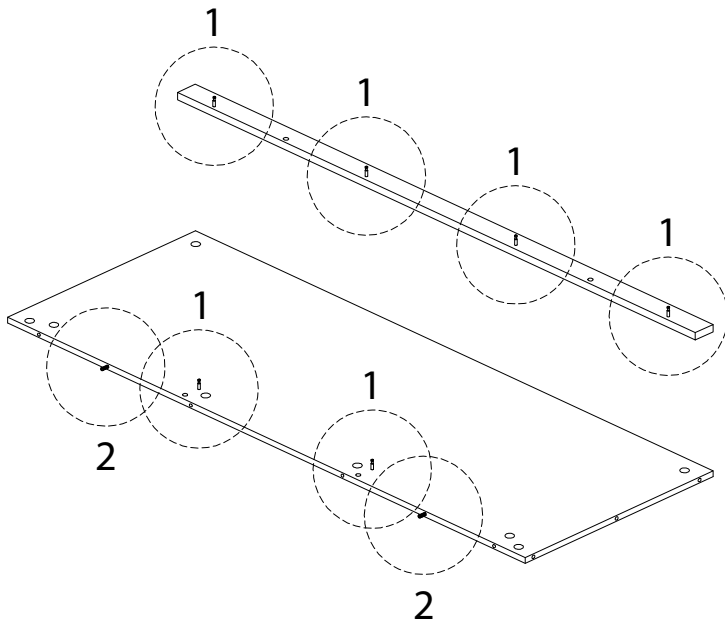
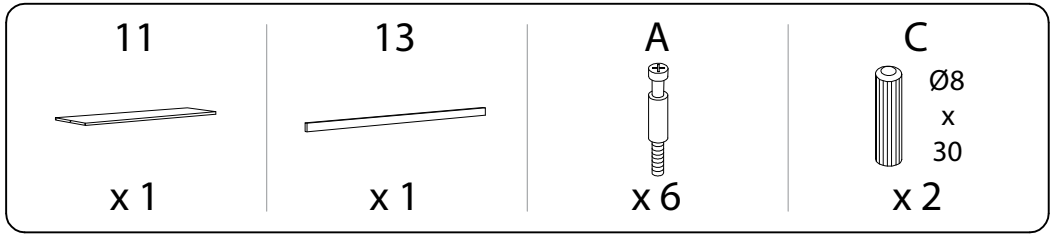
x 4

N

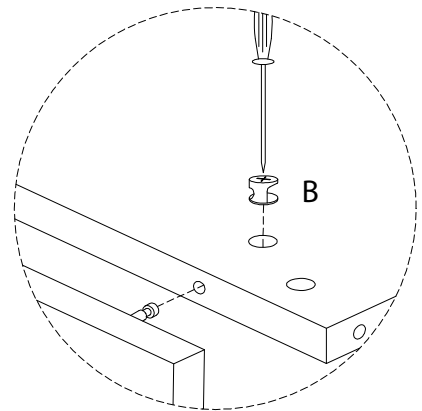
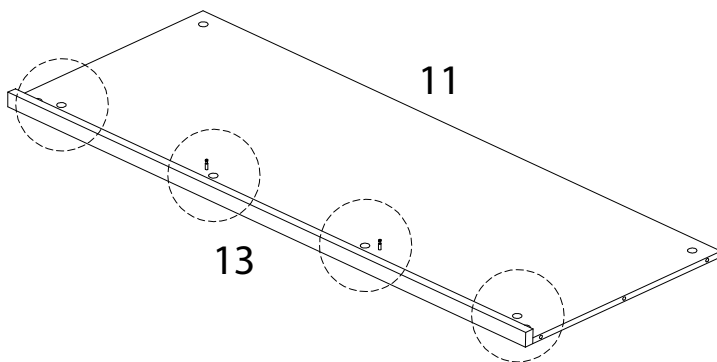
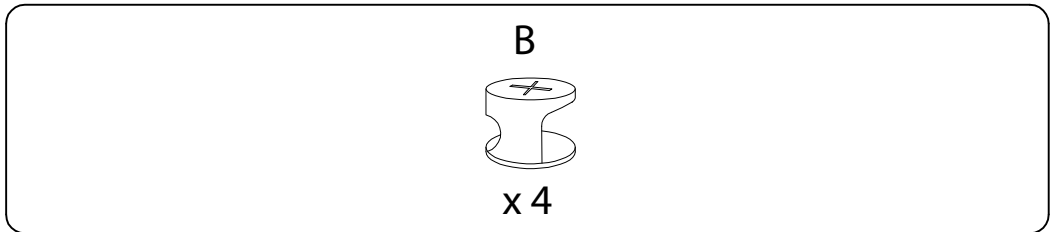


x 4

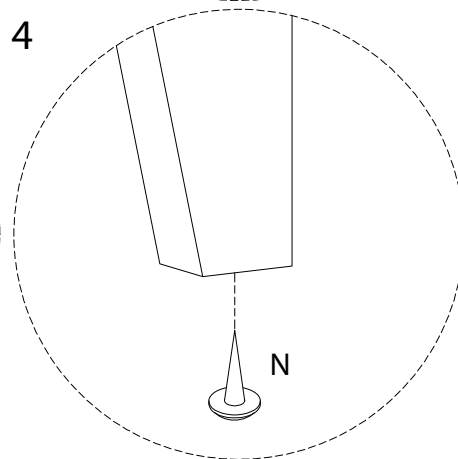
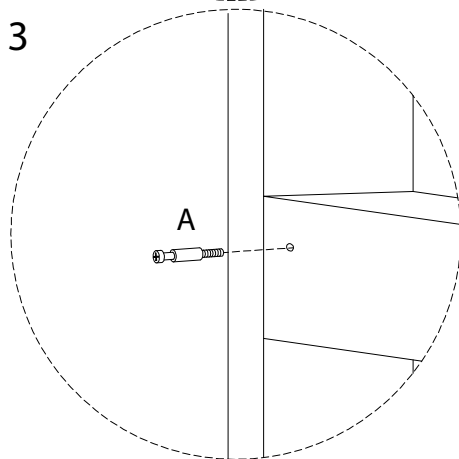
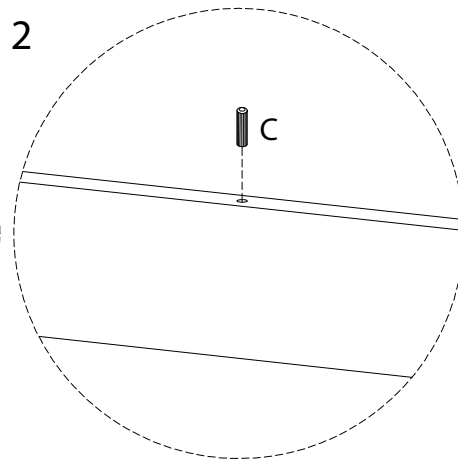
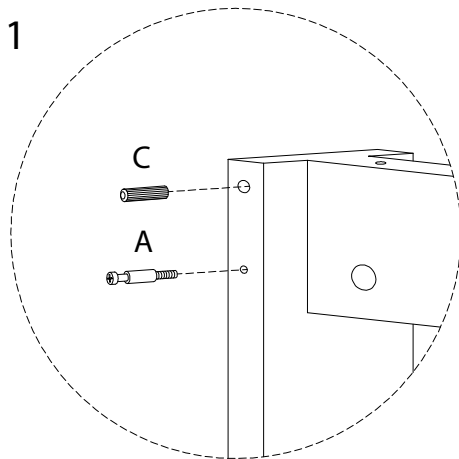
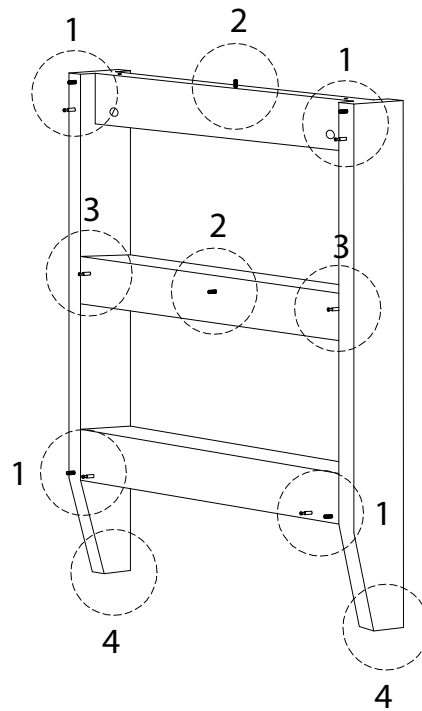
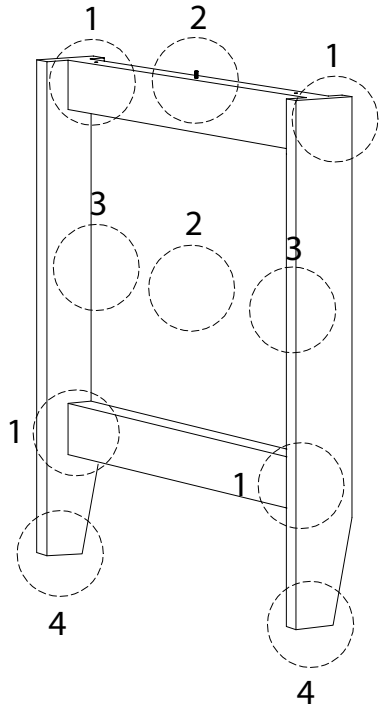
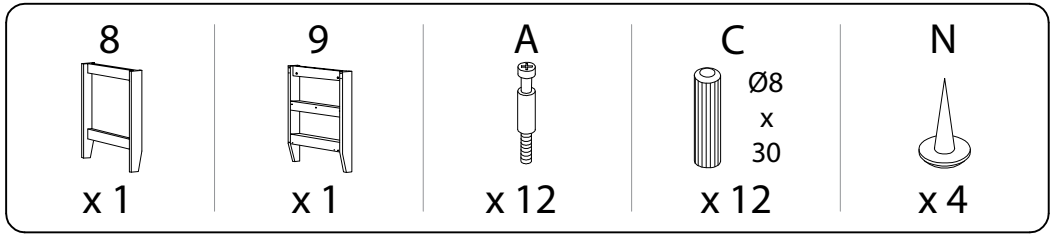
1



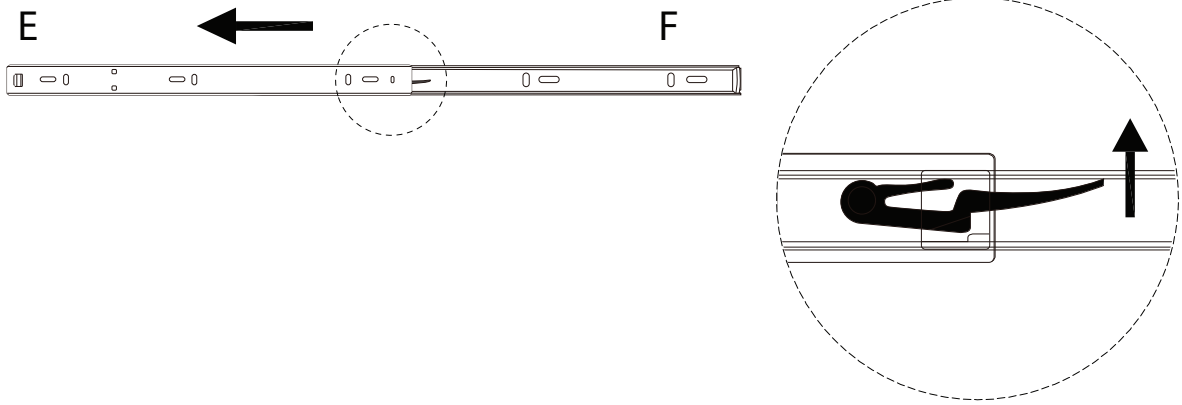
2



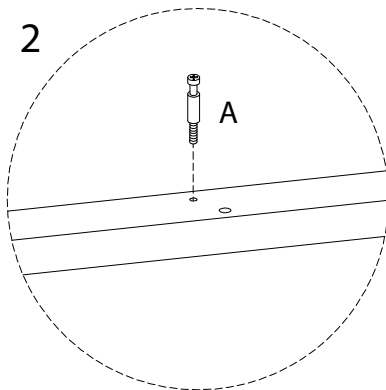
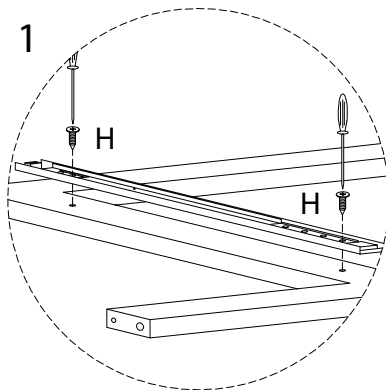
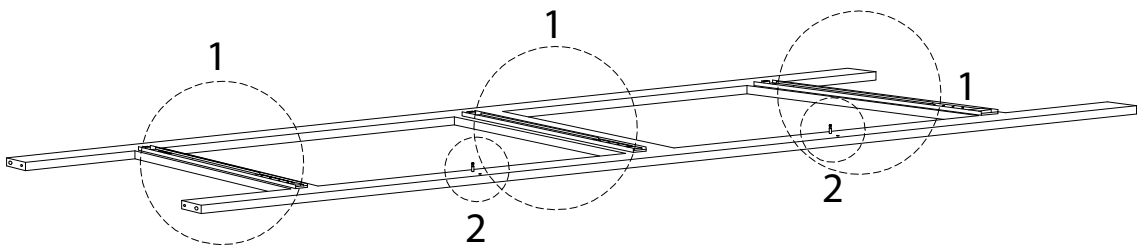
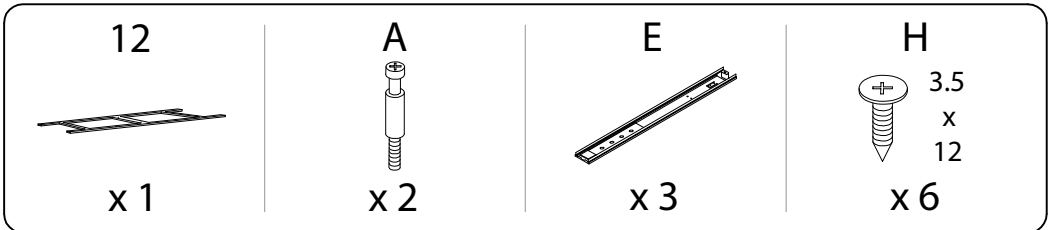
3



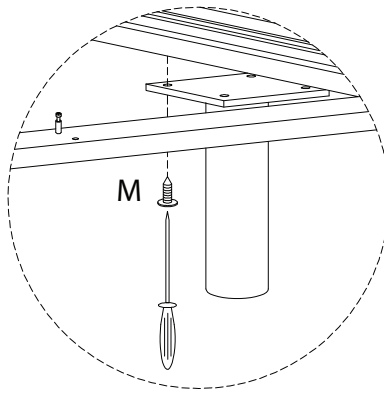
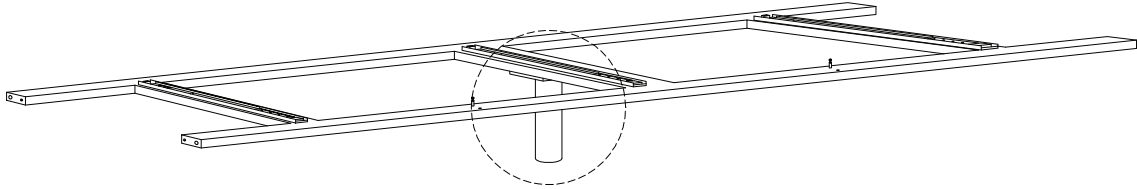
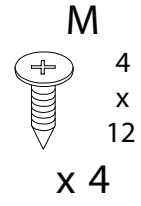
!



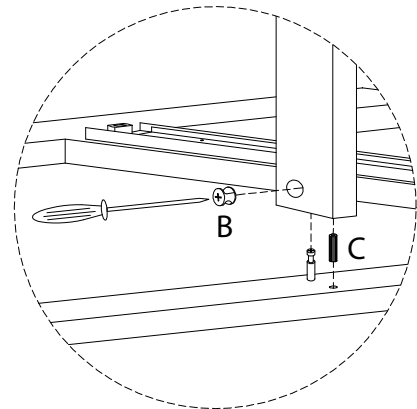
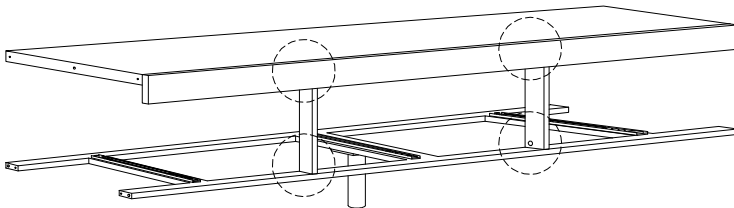
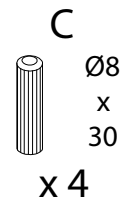
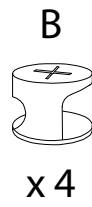
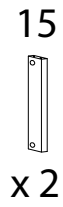
4



5



6



7

10

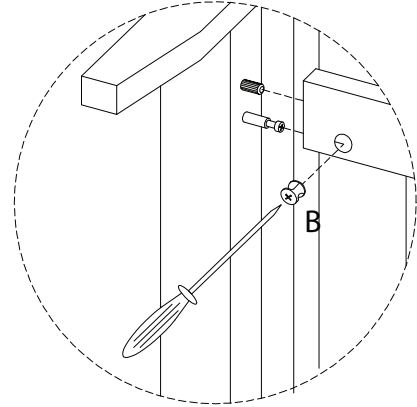
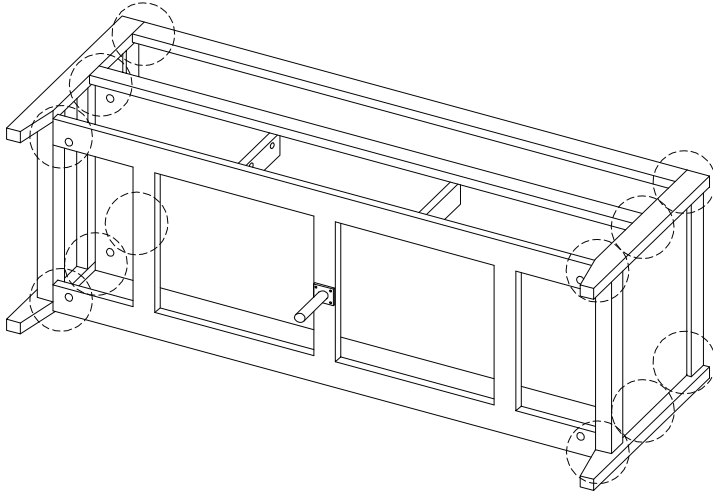


x 2

B



x 12



8

7

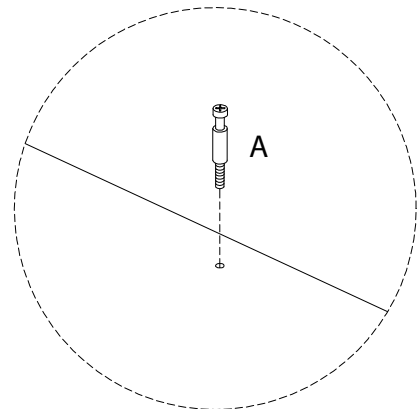
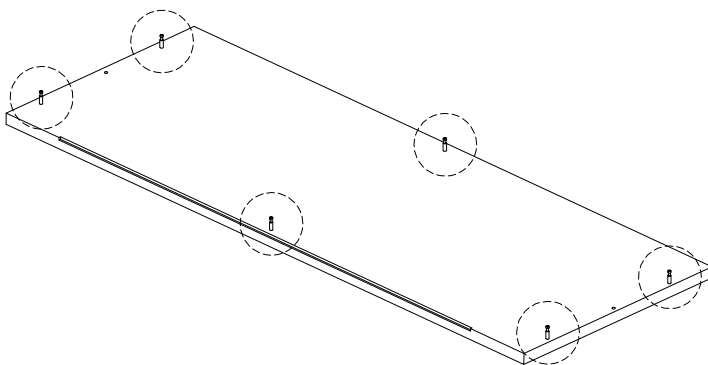


x 1

A



x 6

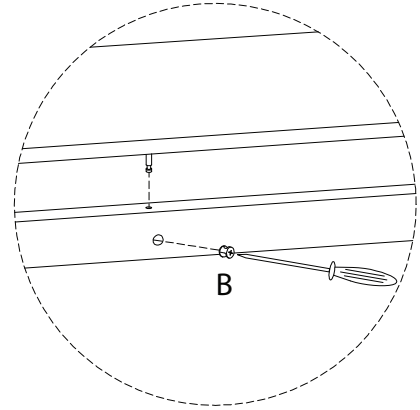
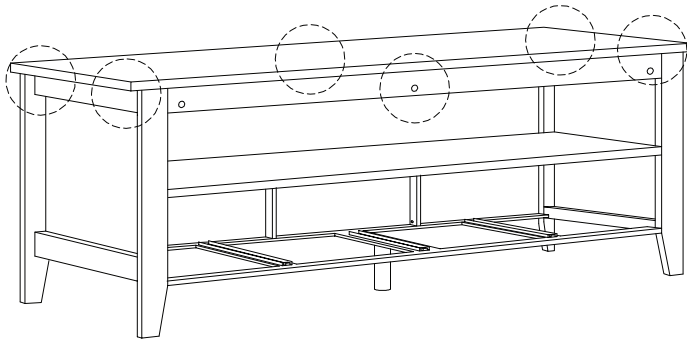


9

B

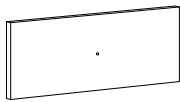


x6



10 x 3

1



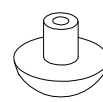
x 1

A



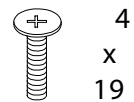
x 4

G



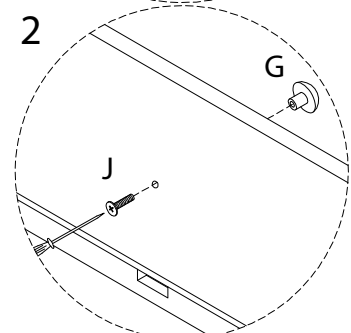
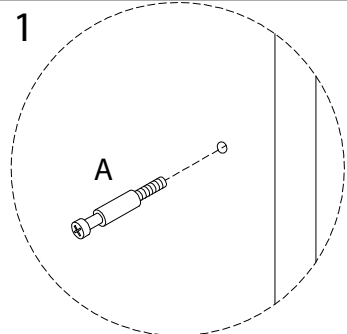
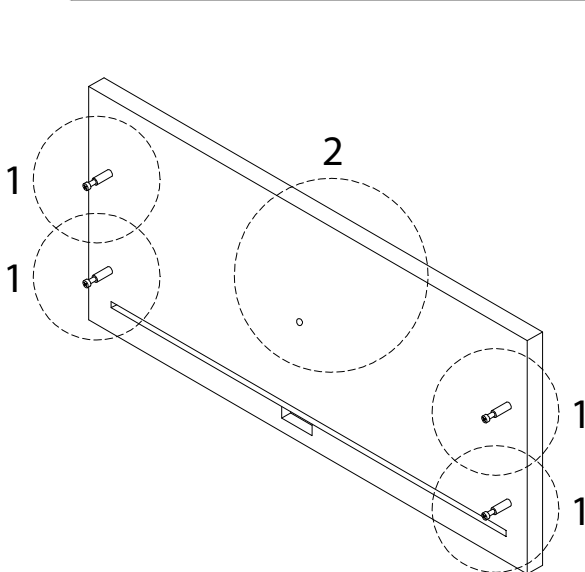
x 1

J

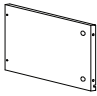
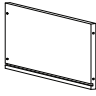

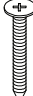


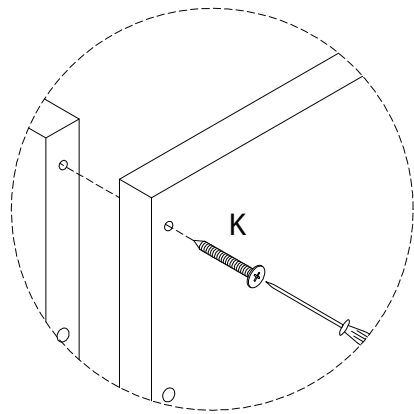
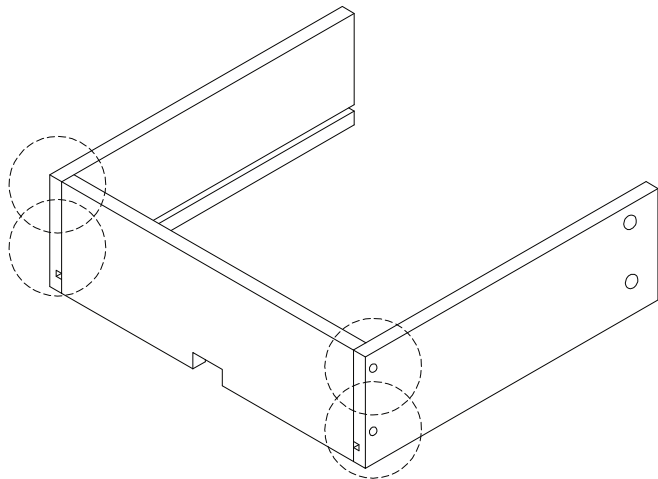
4
x
19

x 1




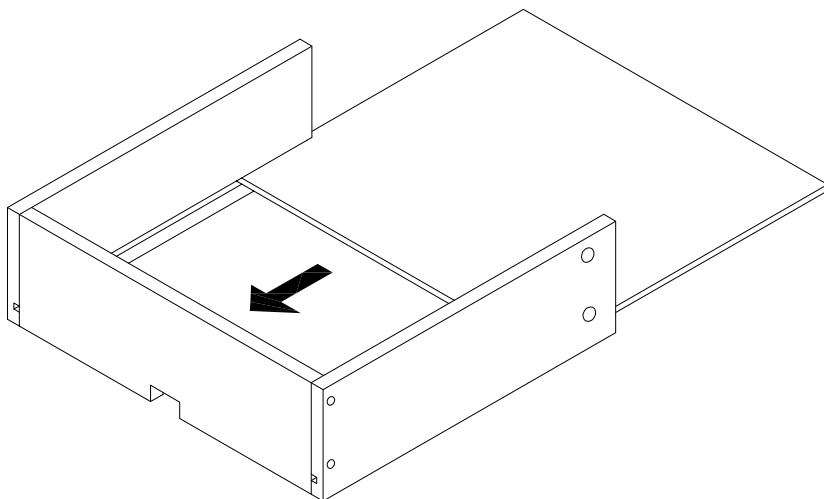
11 x 3

2  x 1	3  x 1	4  x 1	K  5 x 40 x 4
---	---	--	--



12 x 3

5  x 1
--

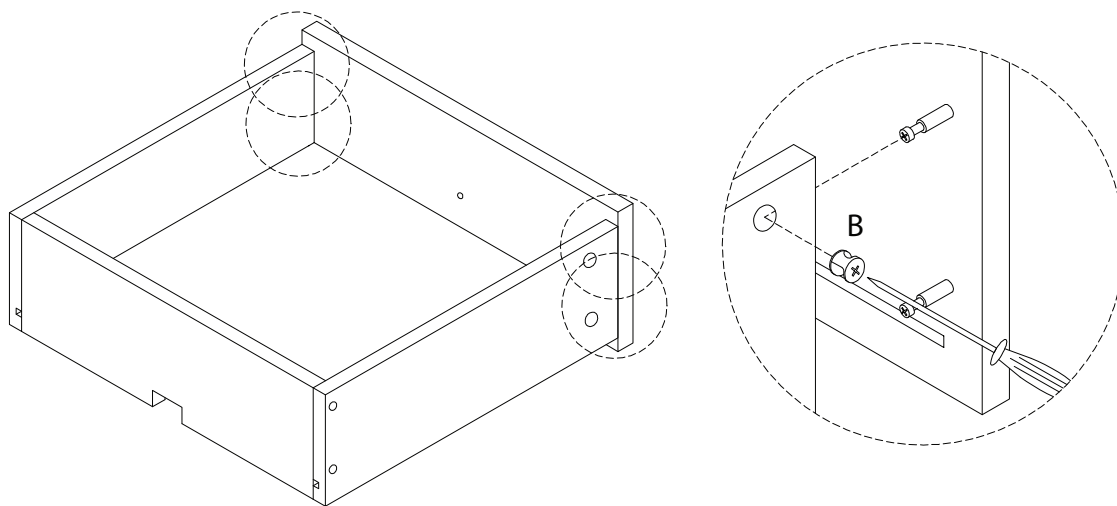


13 x 3

B



x 4

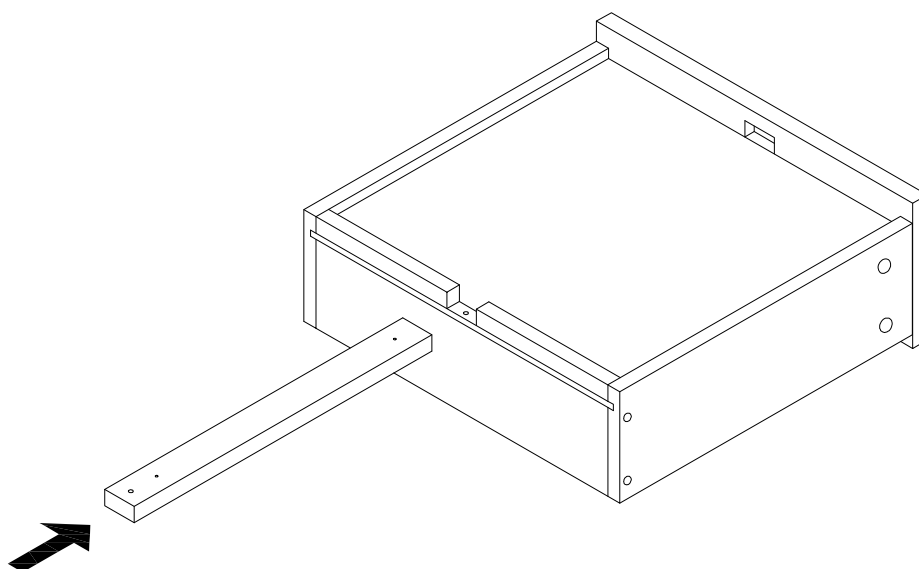


14 x 3

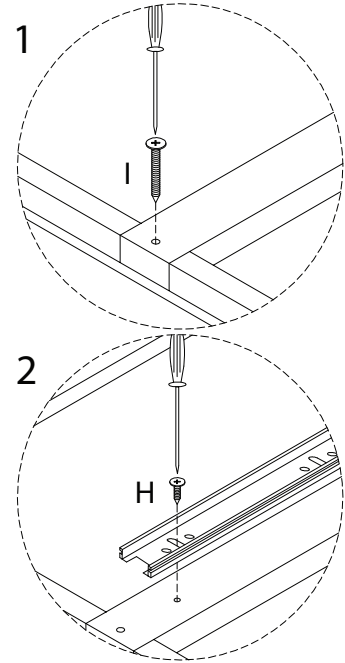
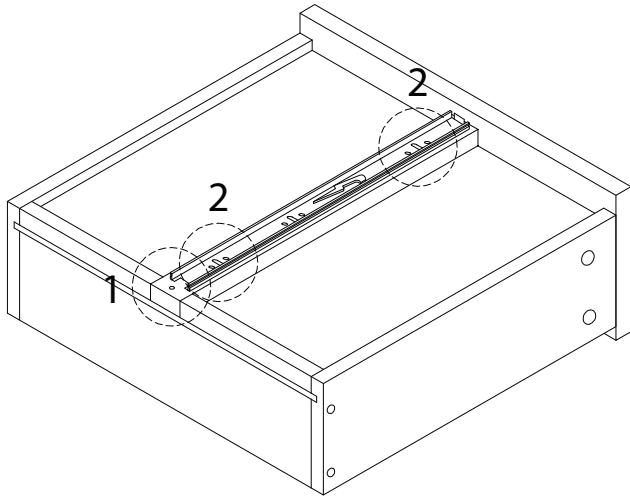
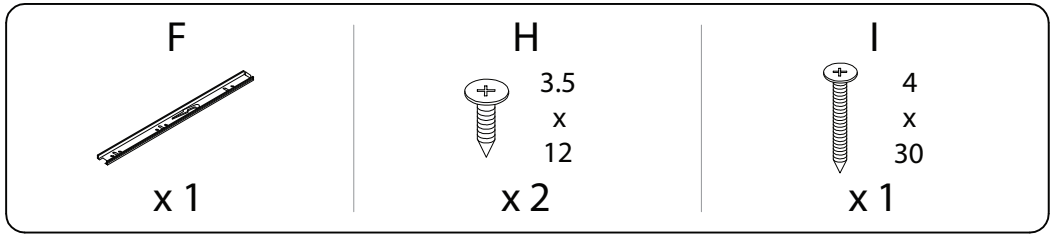
6



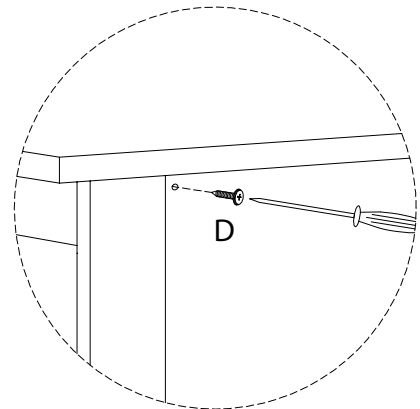
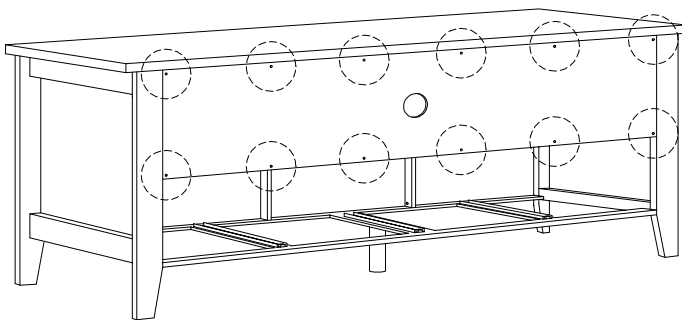
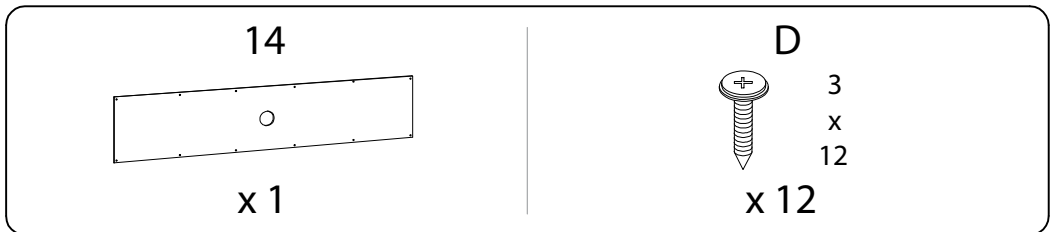
x 1



15 x 3



16



17

