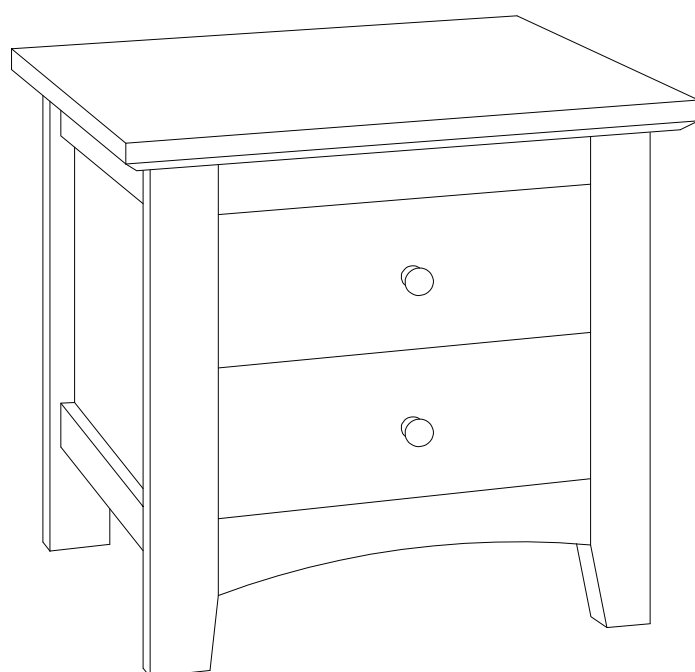


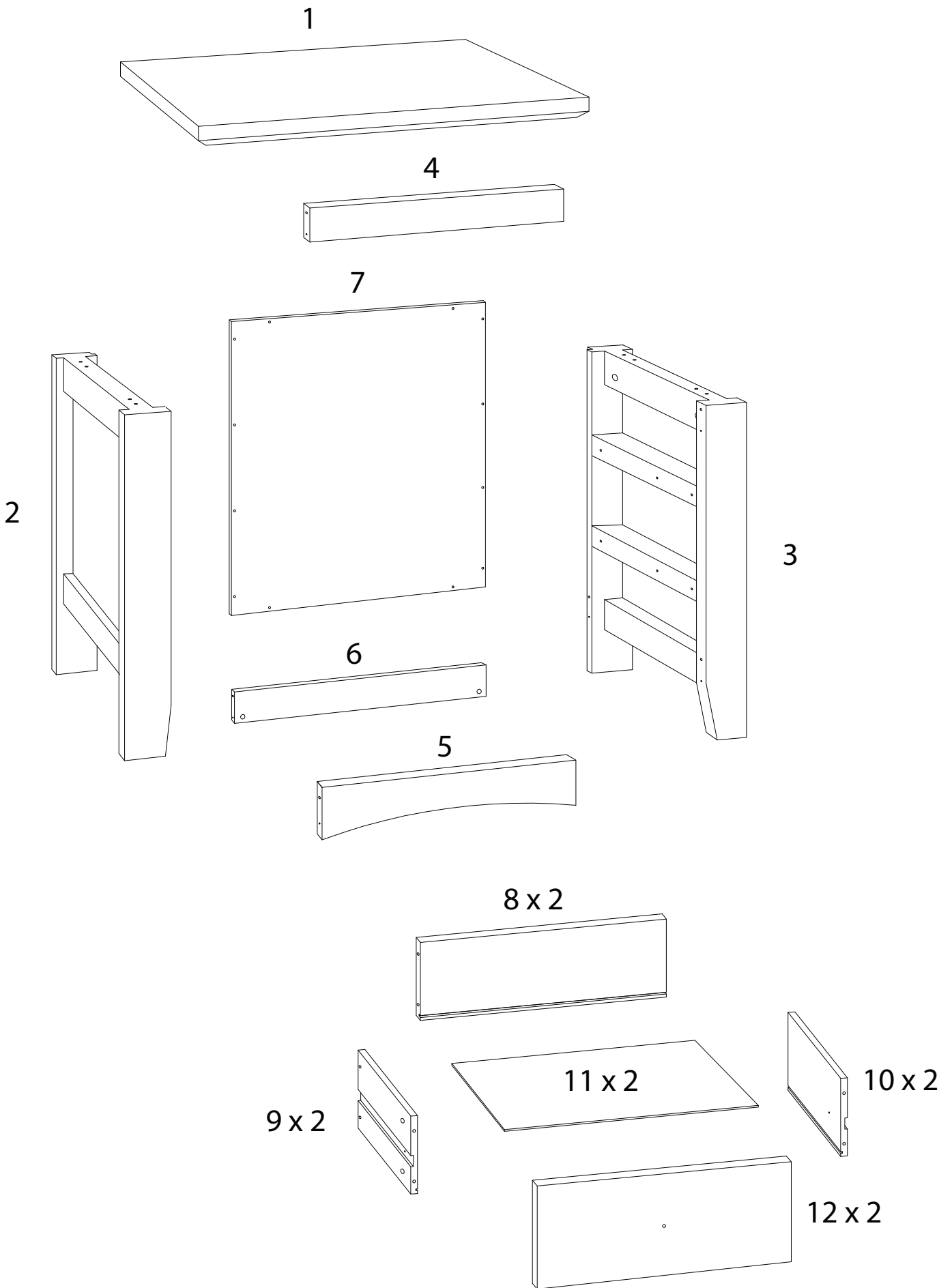
# JOLIET





Assembly instructions for step 1/11:

- Tools:** A screwdriver is required. A power drill is not required (indicated by a crossed-out drill icon).
- Warning:** A warning triangle with an exclamation mark is shown.
- Time:** Estimated assembly time is 60 minutes, represented by a clock icon.
- Personnel:** Two people are required for assembly, represented by a person icon and the number 2.
- Material:** A warning triangle with an exclamation mark is shown next to a diagram of a rectangular block being placed on a textured surface.

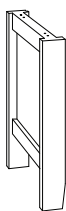


1



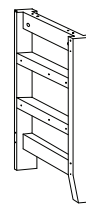
x 1

2



x 1

3



x 1

4



x 1

5



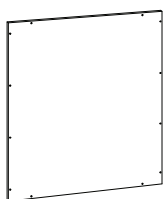
x 1

6



x 1

7



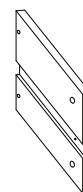
x 1

8



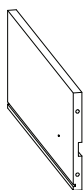
x 2

9



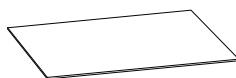
x 2

10



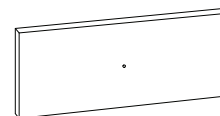
x 2

11



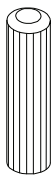
x 2

12



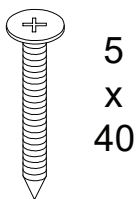
x 2

A



x 10

B



x 8

C



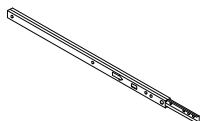
x 18

D



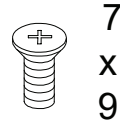
x 18

E



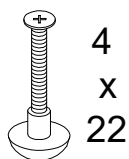
x 4

F



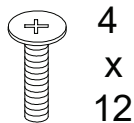
x 12

G



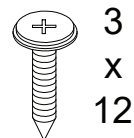
x 2

H



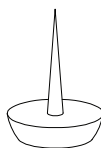
x 4

I



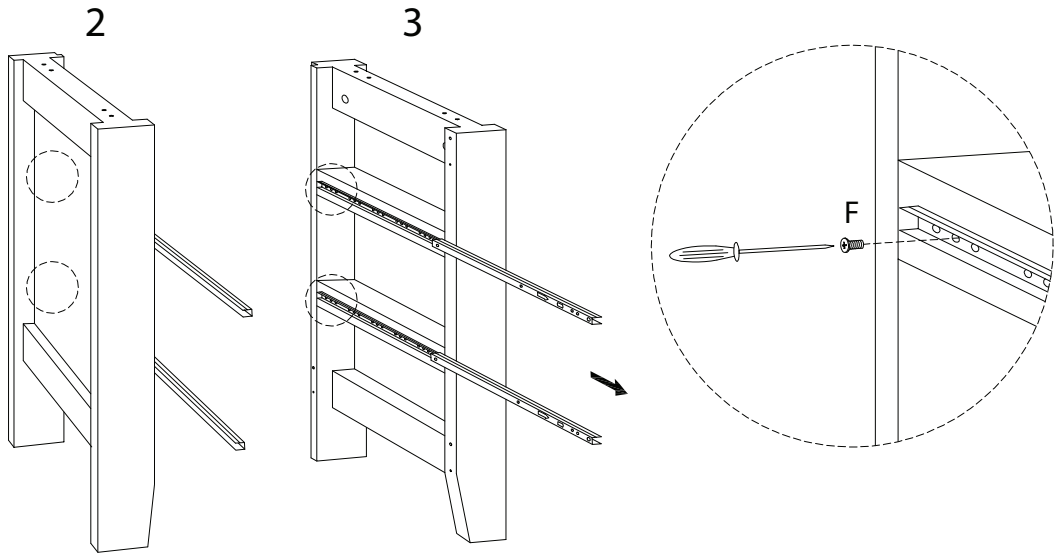
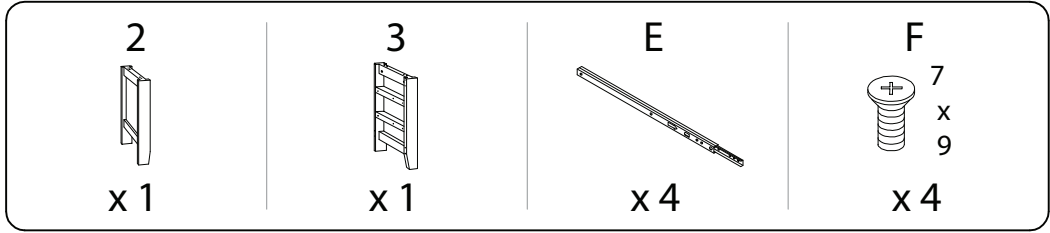
x 10

J

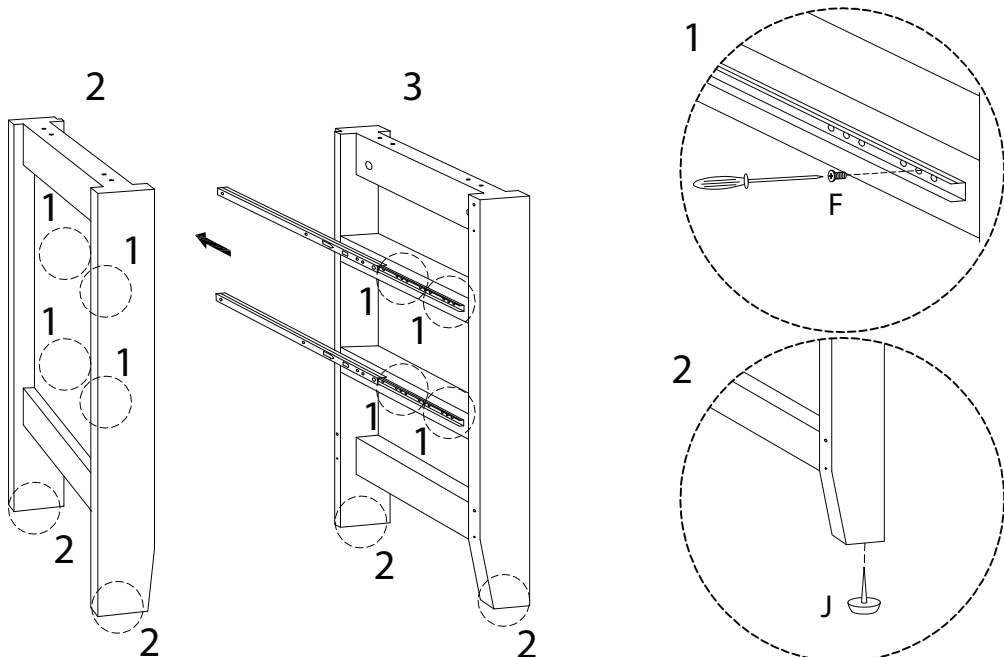
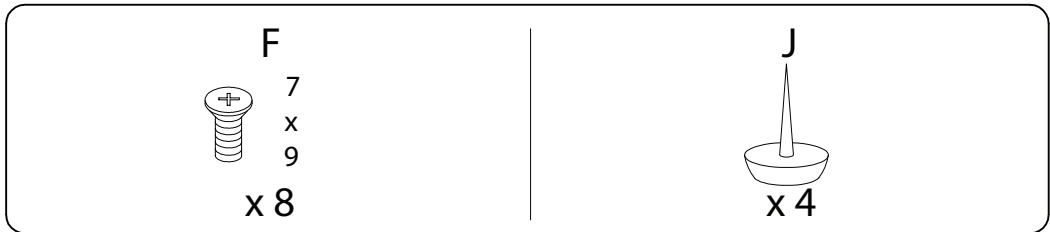


x 4

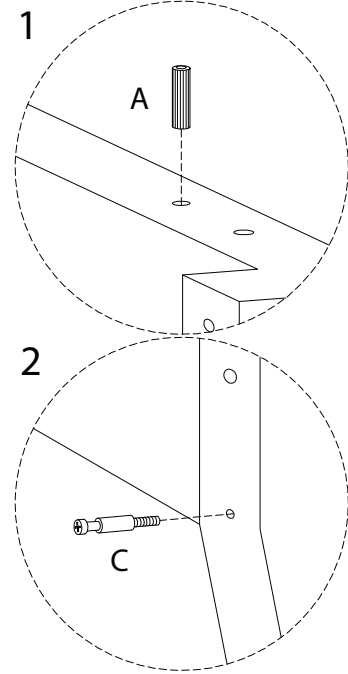
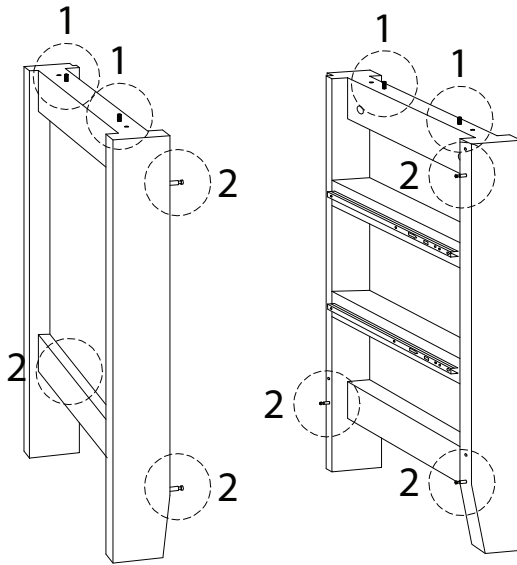
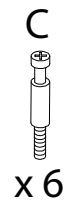
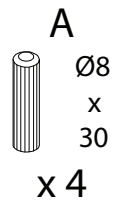
1



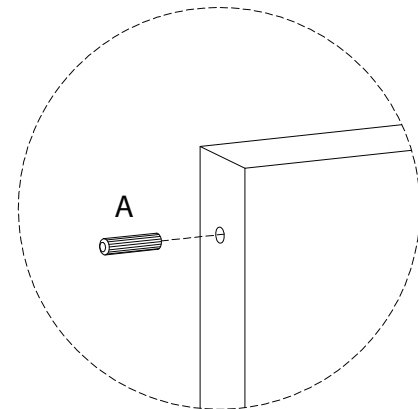
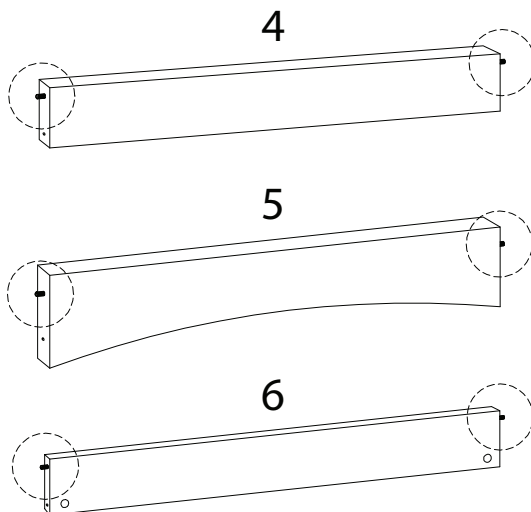
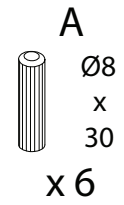
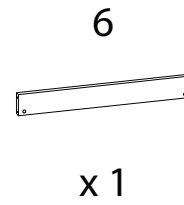
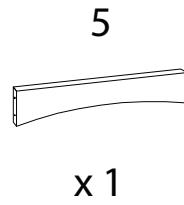
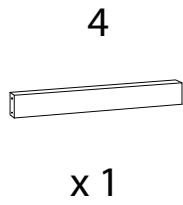
2



3



4

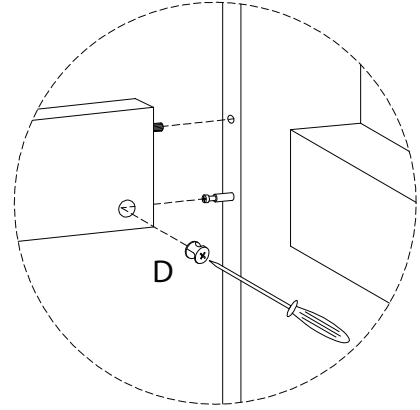
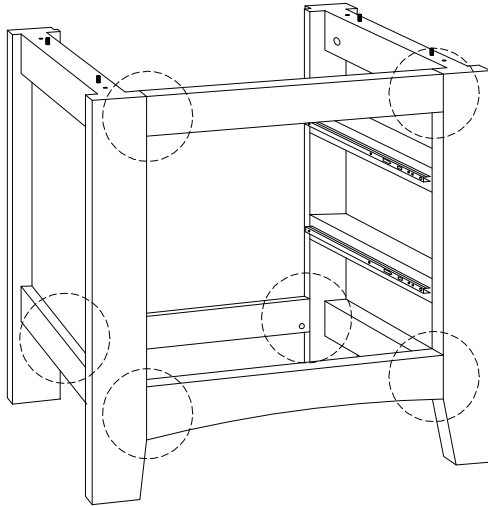


5

D



x6



6

1

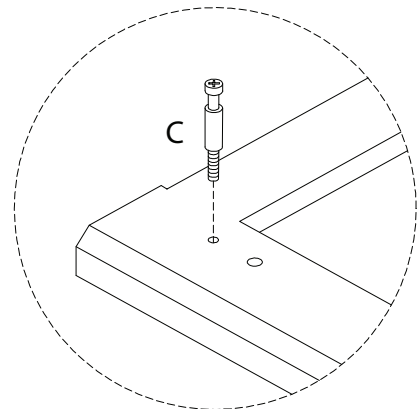
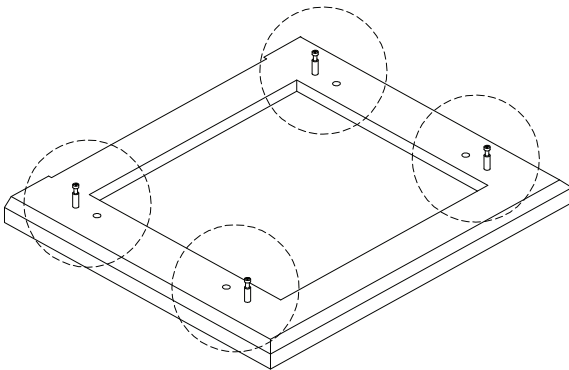


x1

C



x4



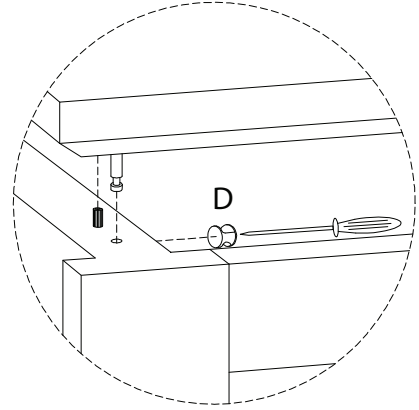
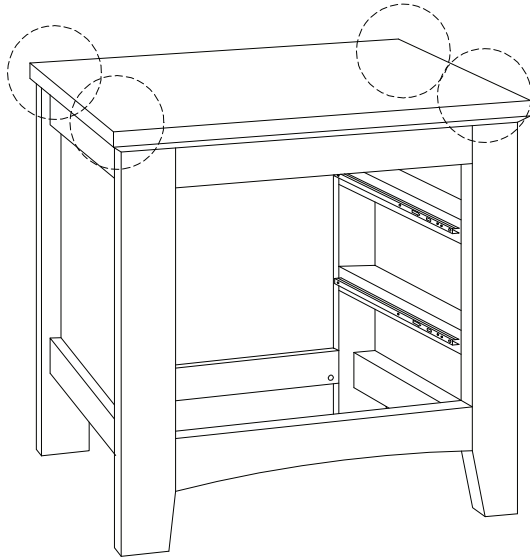


7

D

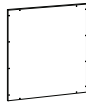


x4



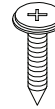
8

7



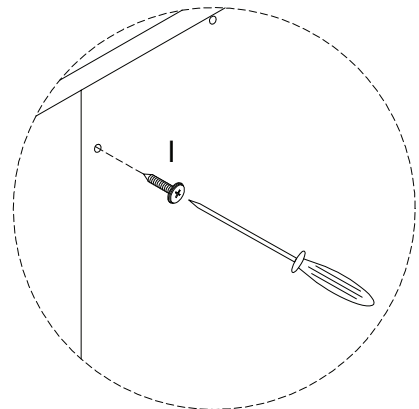
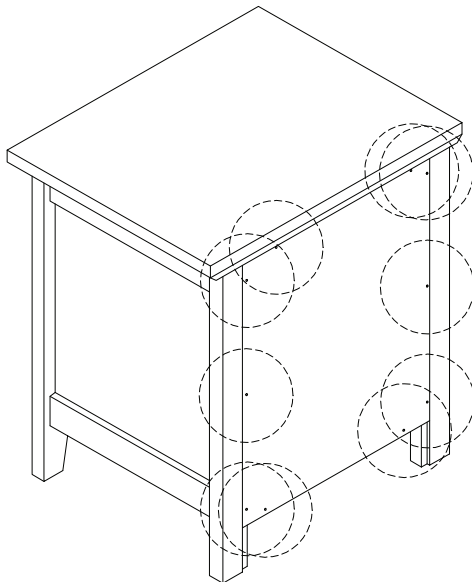
x1

I

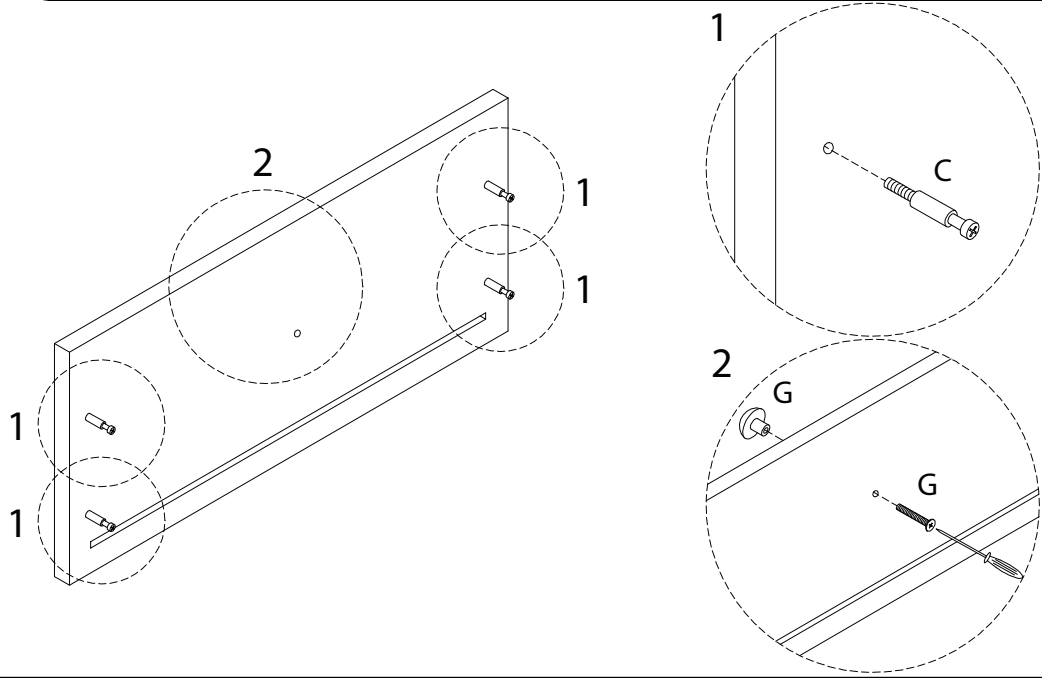
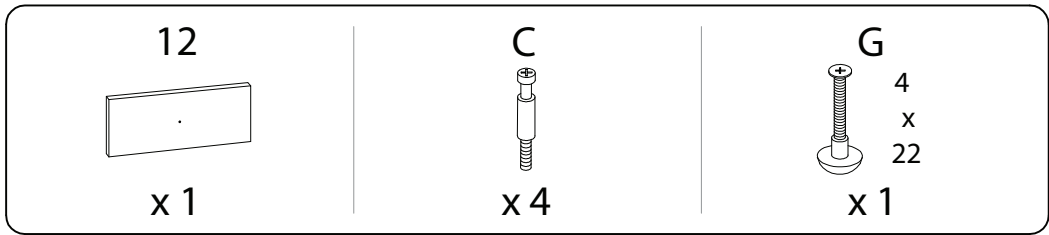


3  
x  
12

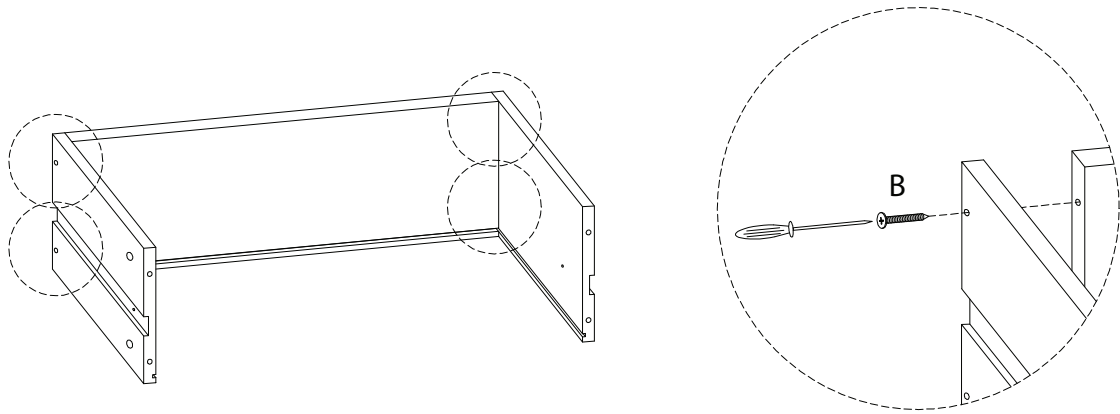
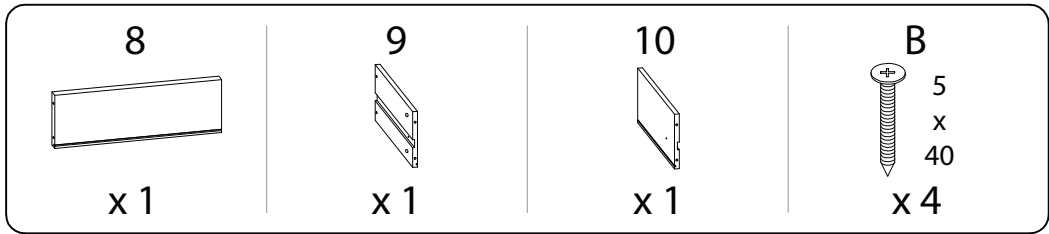
x10



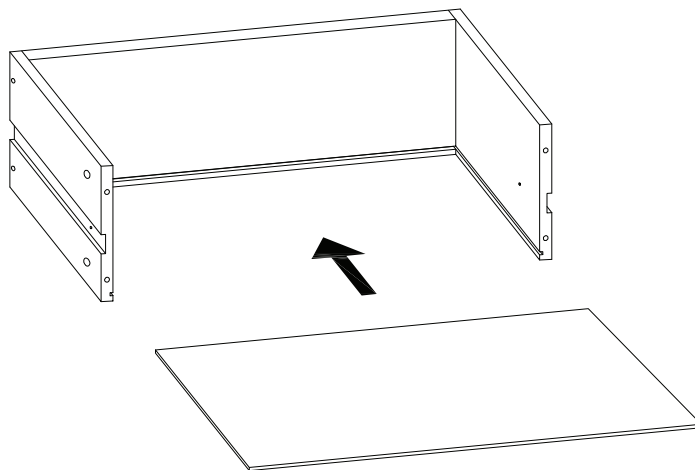
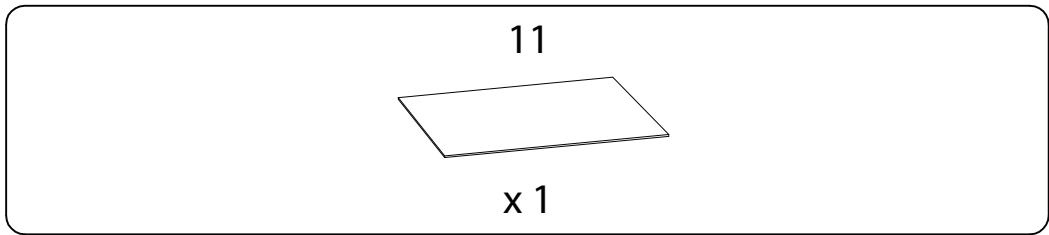
9 x 2



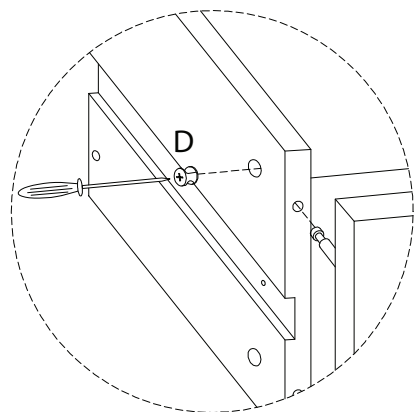
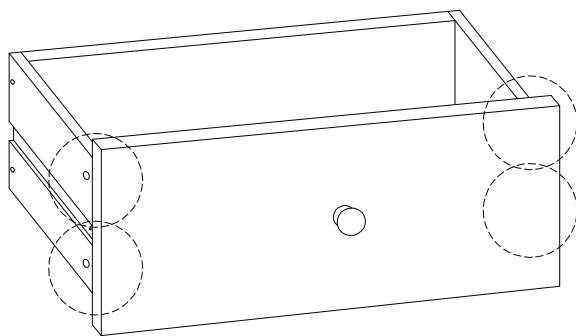
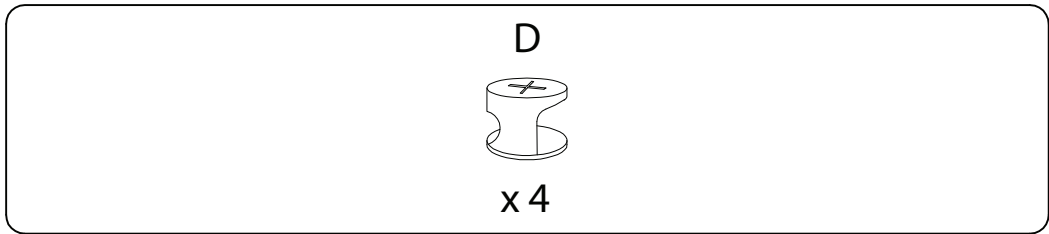
10 x 2



11 x 2

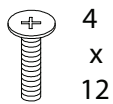


12 x 2



13

H



4  
x  
12

x4

