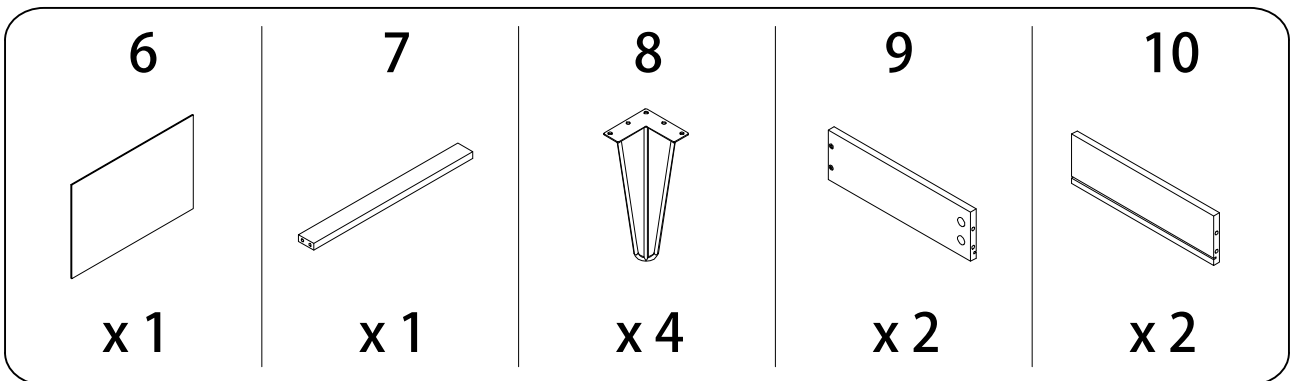
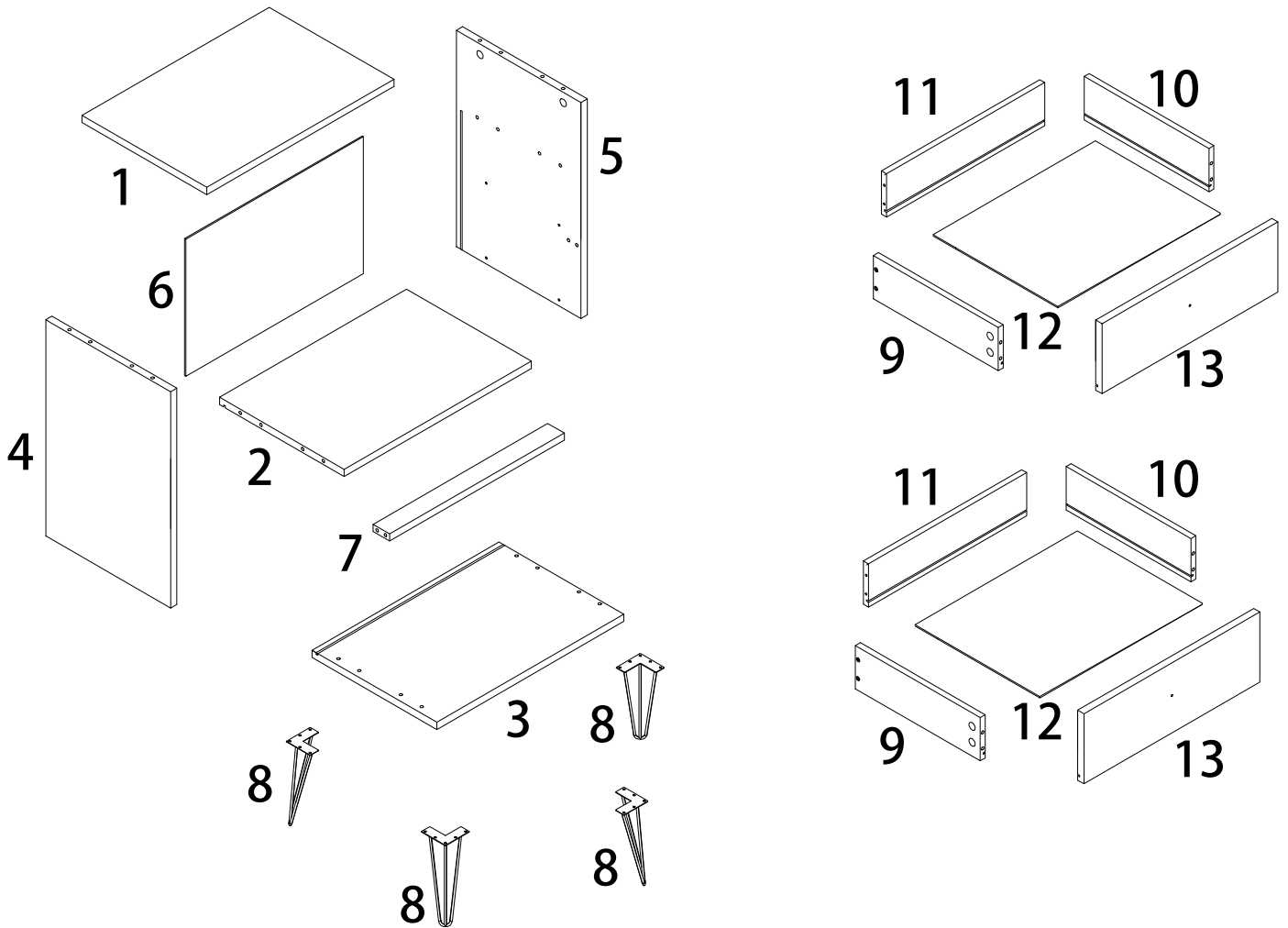
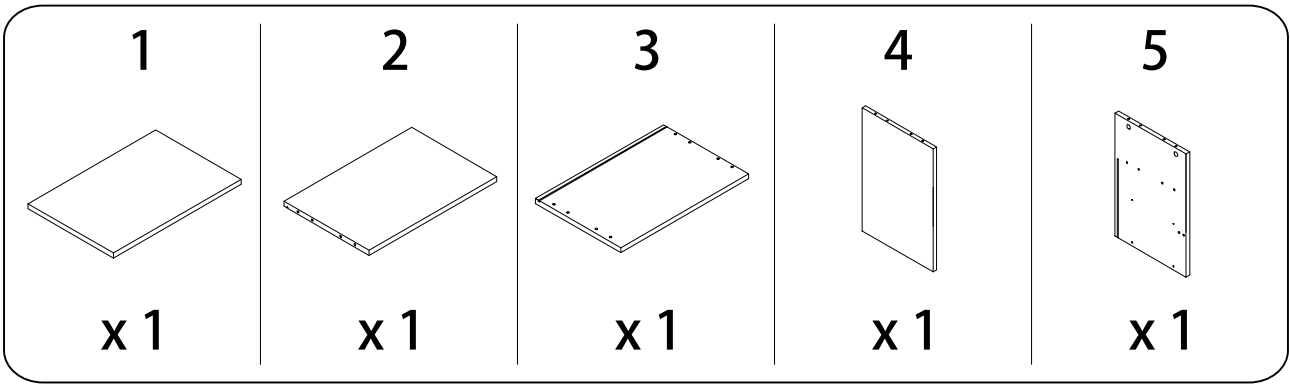
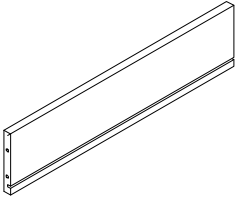
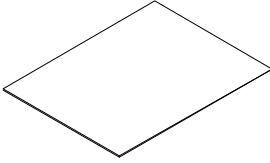
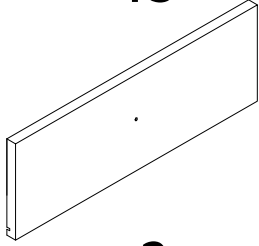

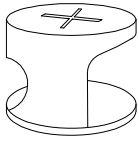

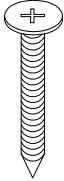
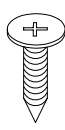
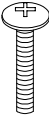
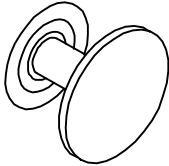
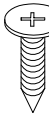
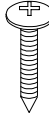
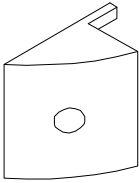
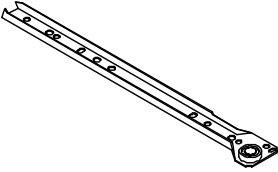
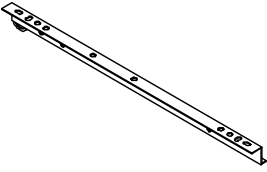
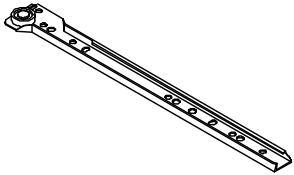
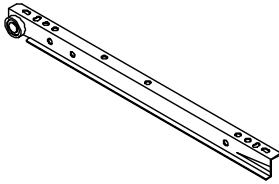
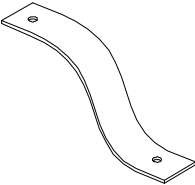
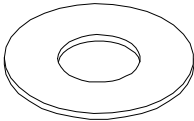
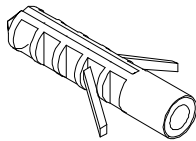




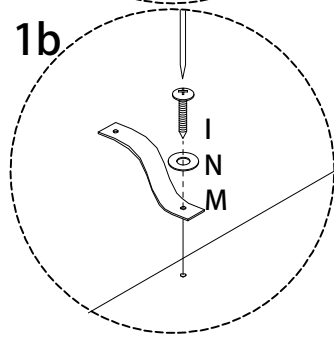
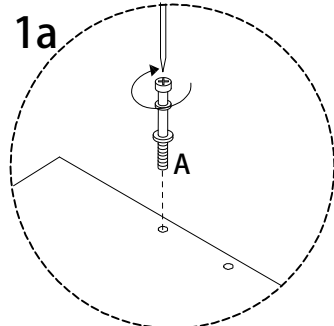
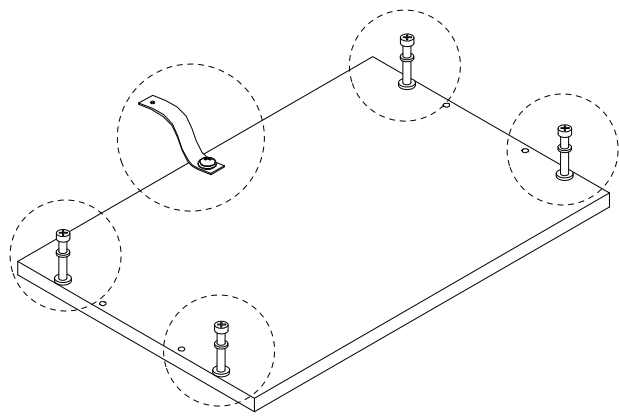
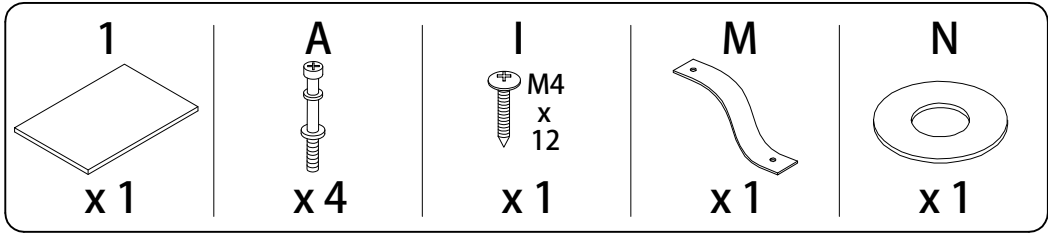
Assembly instructions for step 1/14:

- Tools: A screwdriver is shown as required, and a power drill is shown with a diagonal line through it, indicating it is not to be used.
- Warning: A triangle with an exclamation mark indicates a warning.
- Time: A clock icon is shown with the number **50'** below it, indicating the estimated assembly time.
- Personnel: A person icon is shown with the number **1** below it, indicating that one person is required for assembly.

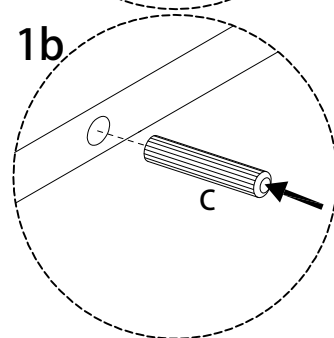
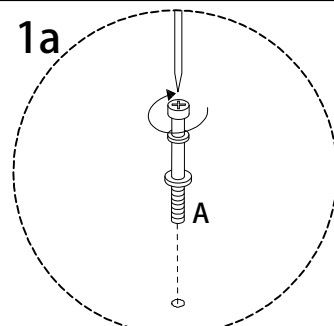
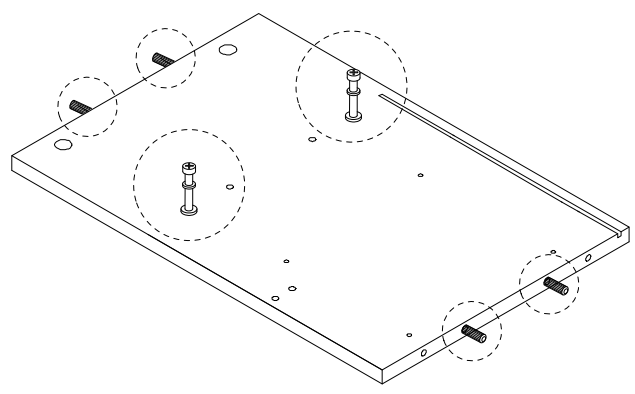
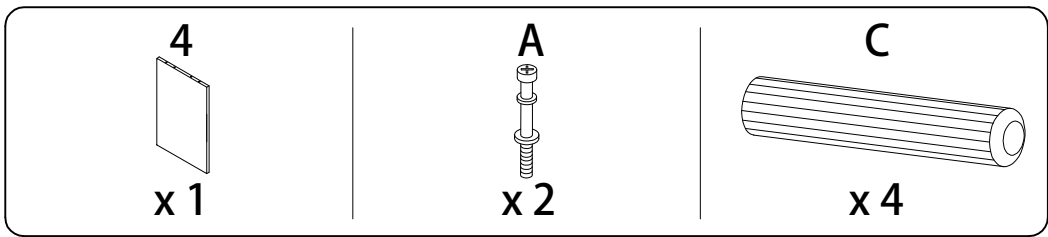


<p>11</p>  <p>x 2</p>	<p>12</p>  <p>x 2</p>	<p>13</p>  <p>x 2</p>	<p>A</p>  <p>x 16</p>
<p>B</p>  <p>x 16</p>	<p>C</p>  <p>x 16</p>	<p>D</p>  <p>M4 x 40</p> <p>x 13</p>	<p>E</p>  <p>M3.5 x 12</p> <p>x 16</p>
<p>F</p>  <p>M4 x 16</p> <p>x 2</p>	<p>G</p>  <p>x 2</p>	<p>H</p>  <p>M3 x 14</p> <p>x 4</p>	<p>I</p>  <p>M4 x 12</p> <p>x 21</p>
<p>J</p>  <p>x 4</p>	<p>K1</p>  <p>x 2</p>	<p>K2</p>  <p>x 2</p>	<p>L1</p>  <p>x 2</p>
<p>L2</p>  <p>x 2</p>	<p>M</p>  <p>x 1</p>	<p>N</p>  <p>x 2</p>	<p>O</p>  <p>x 1</p>

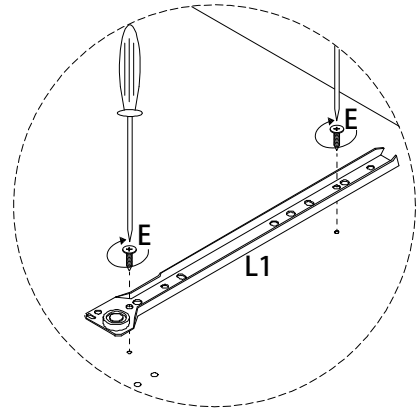
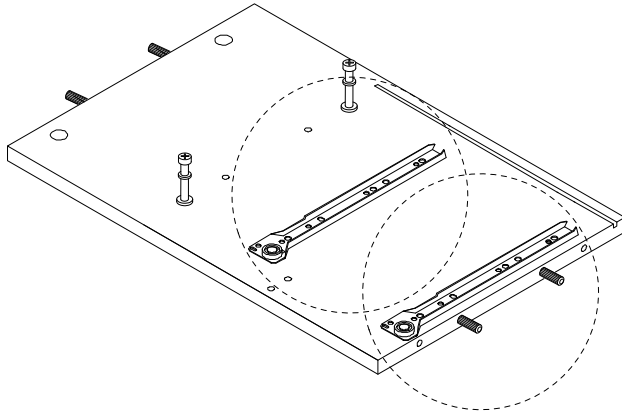
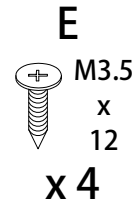
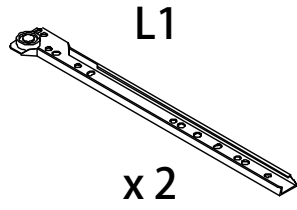
1



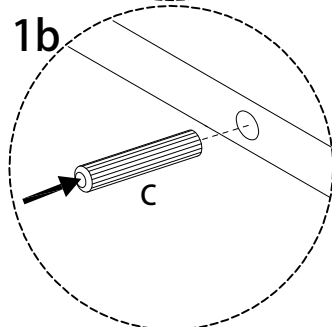
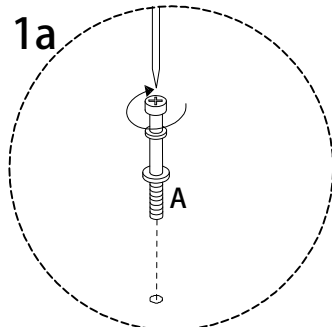
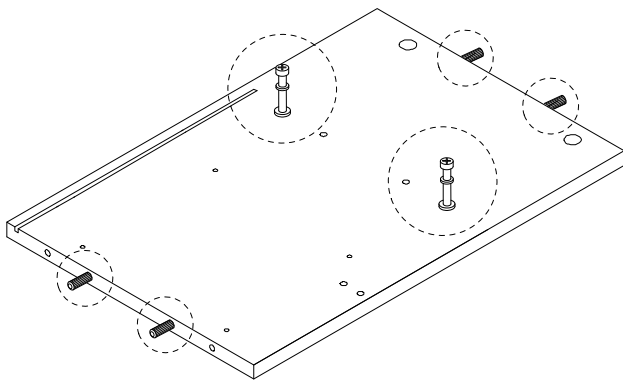
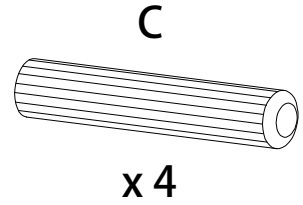
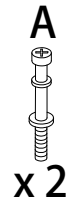
2



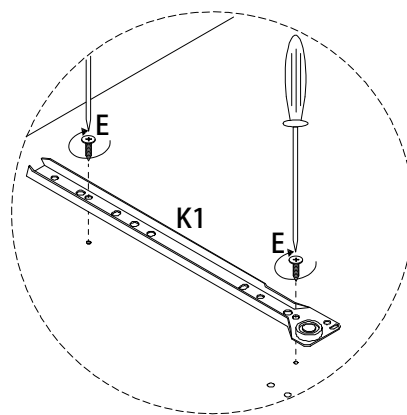
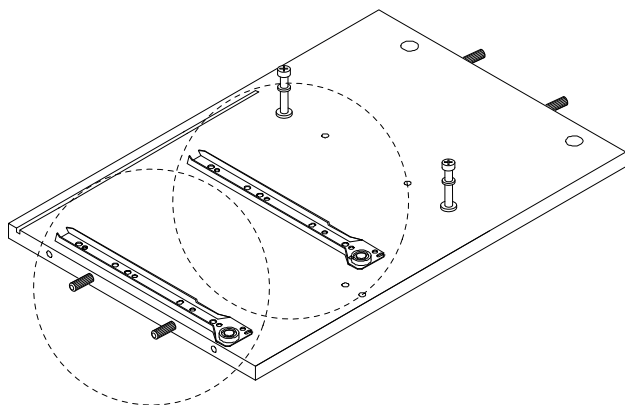
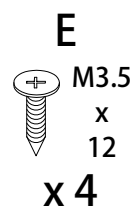
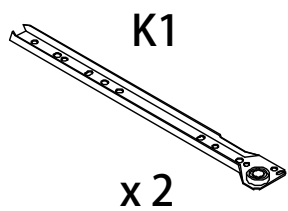
3



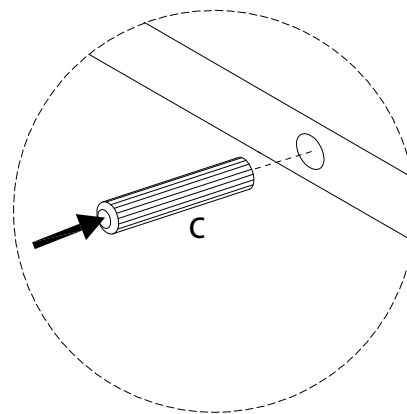
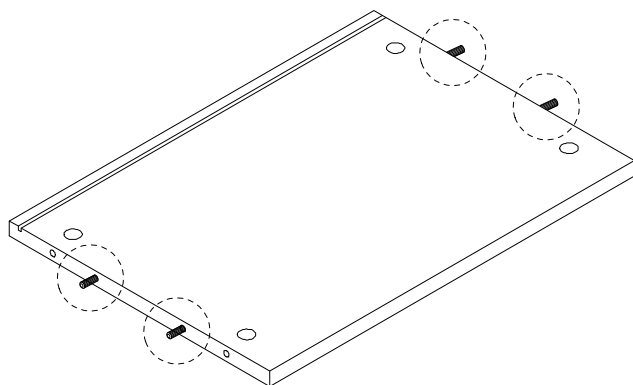
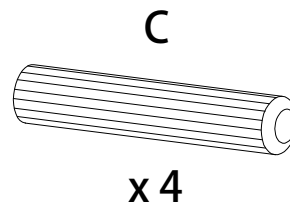
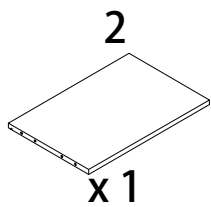
4



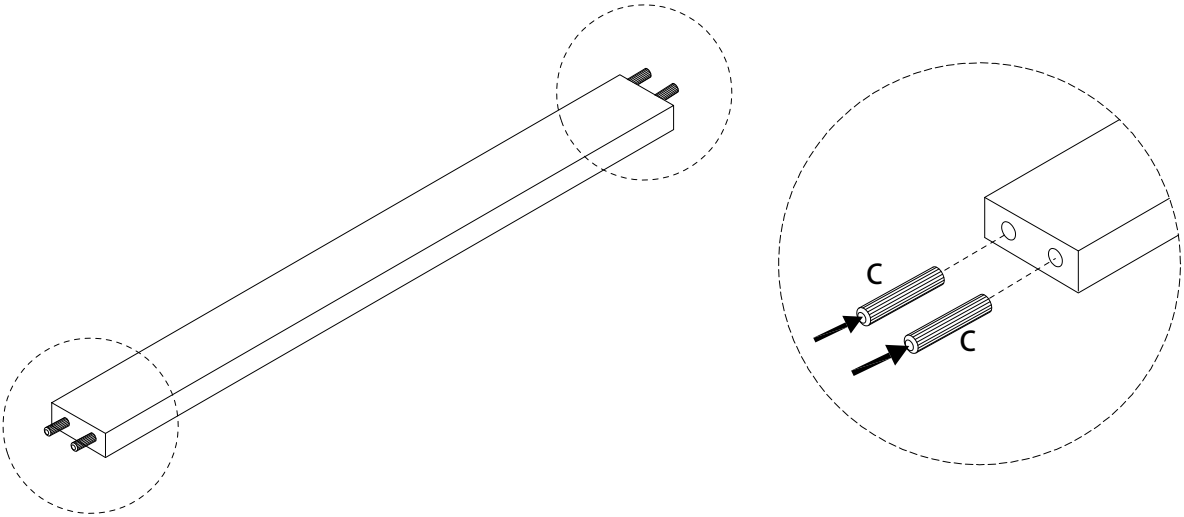
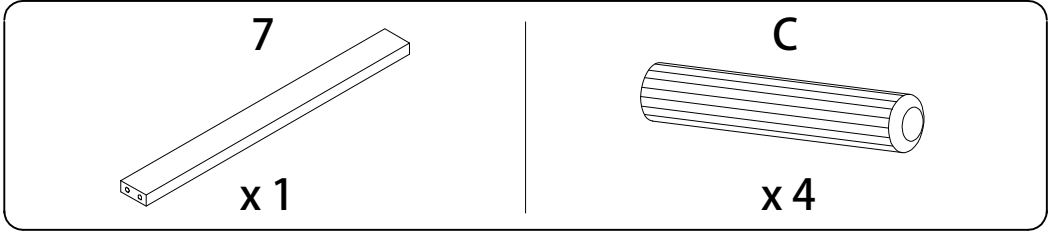
5



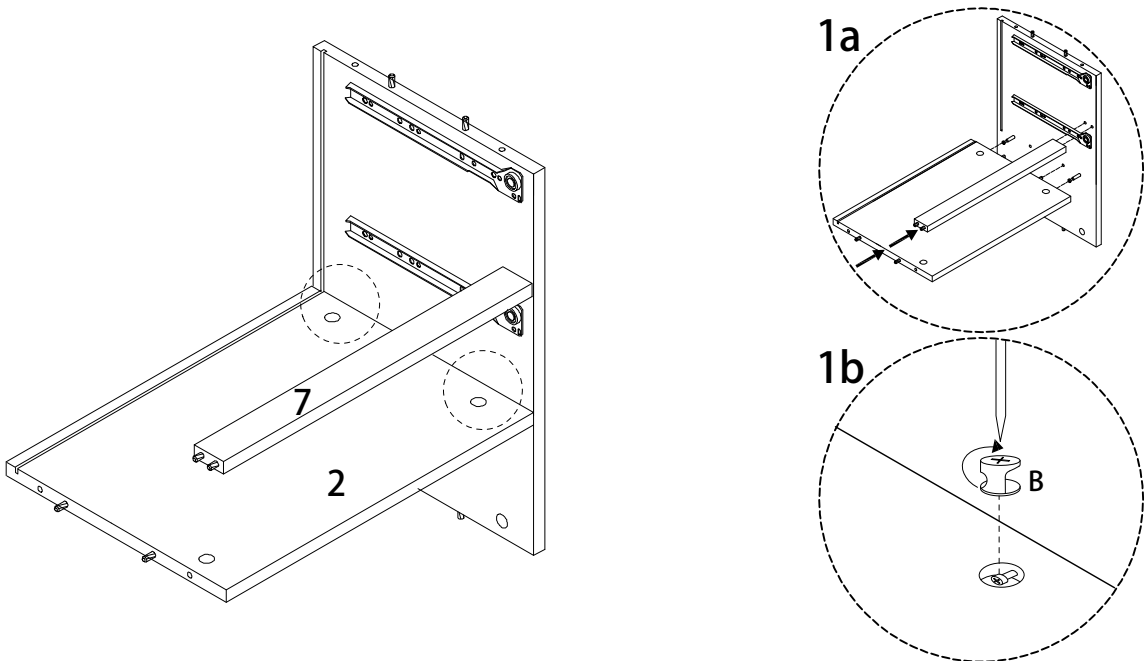
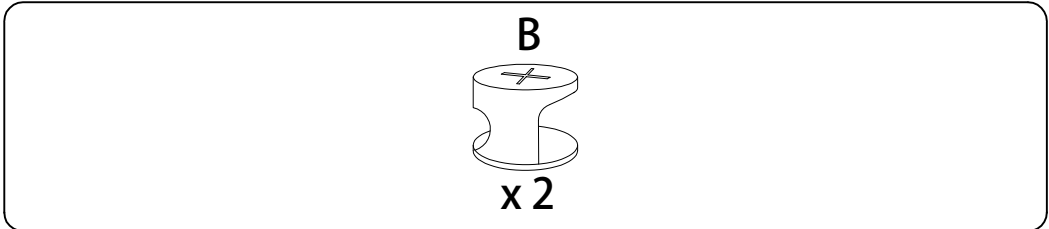
6



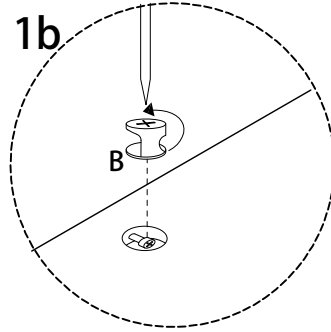
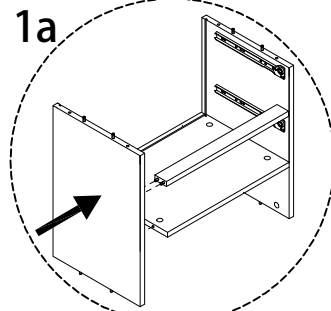
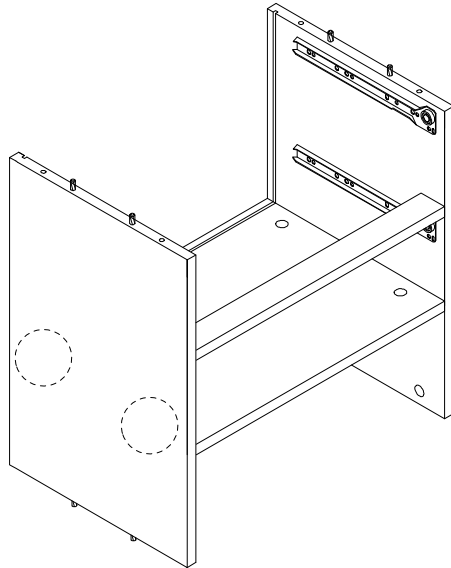
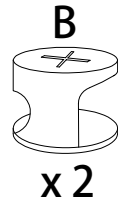
7



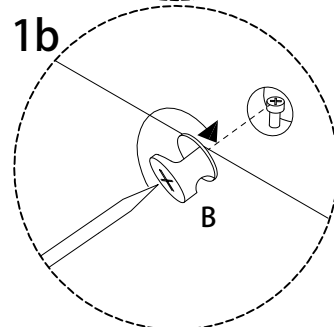
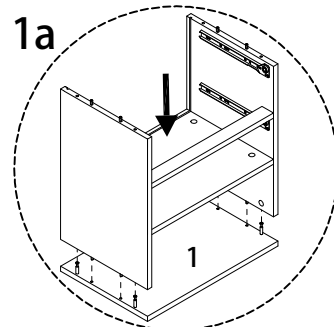
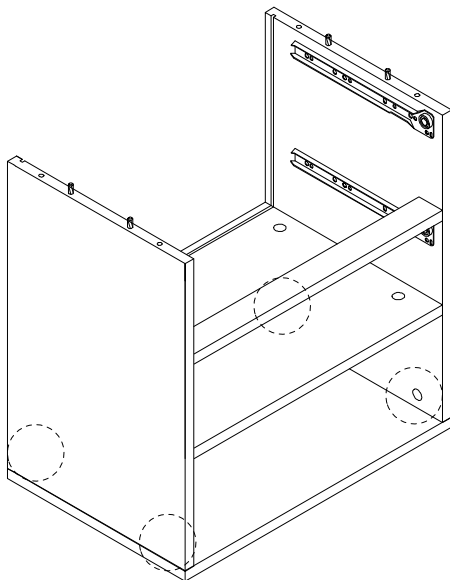
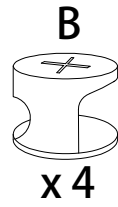
8



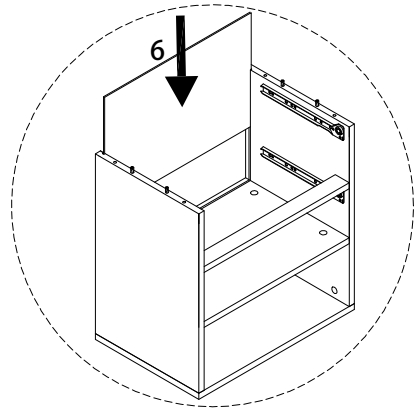
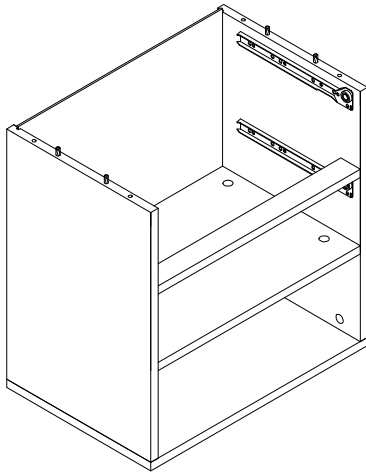
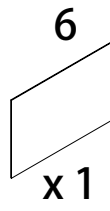
9



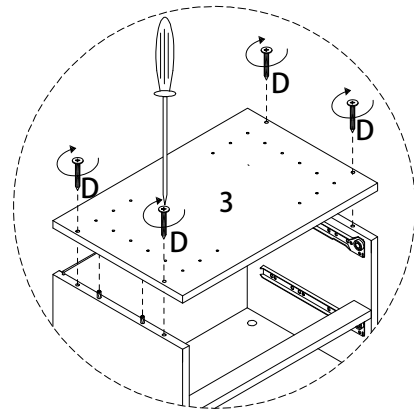
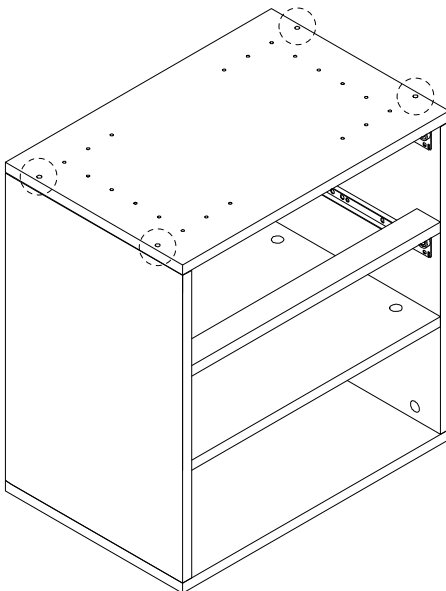
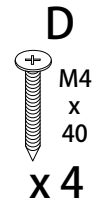
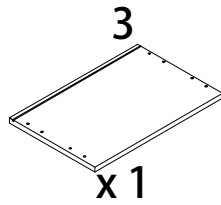
10



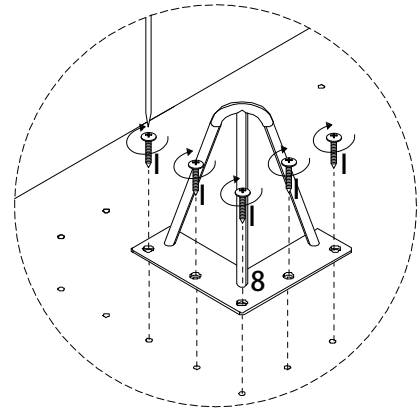
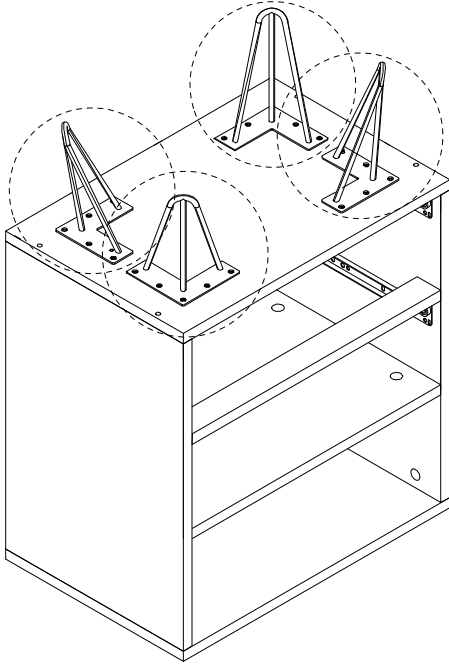
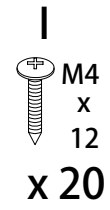
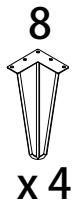
11



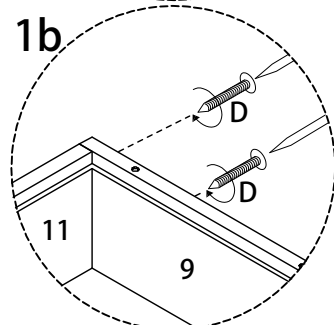
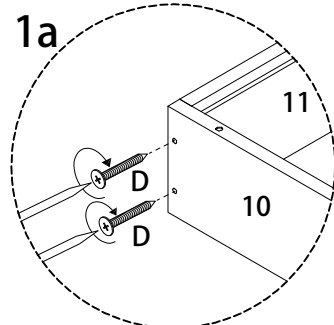
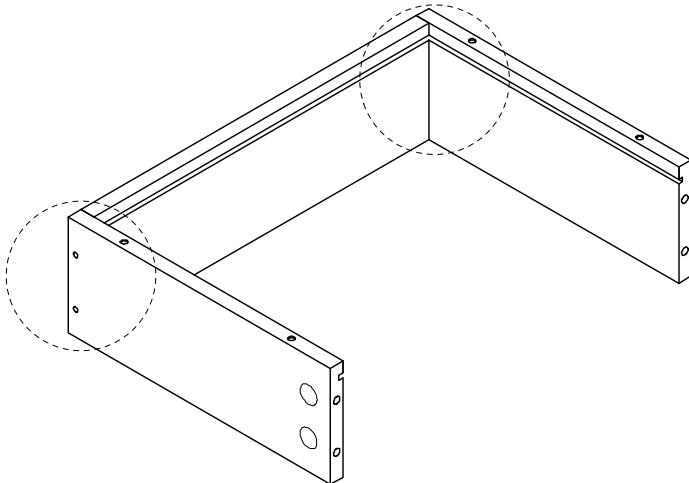
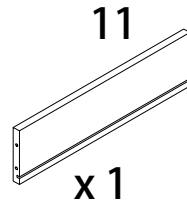
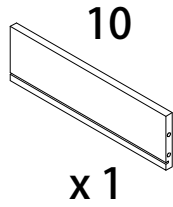
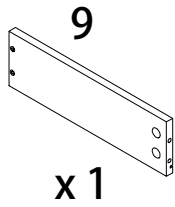
12



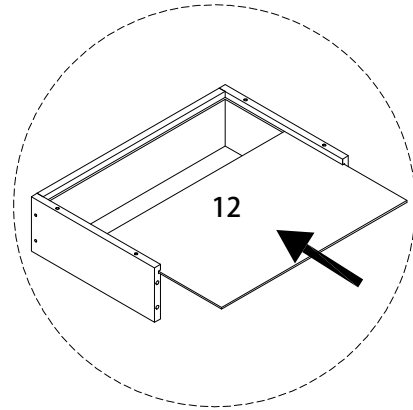
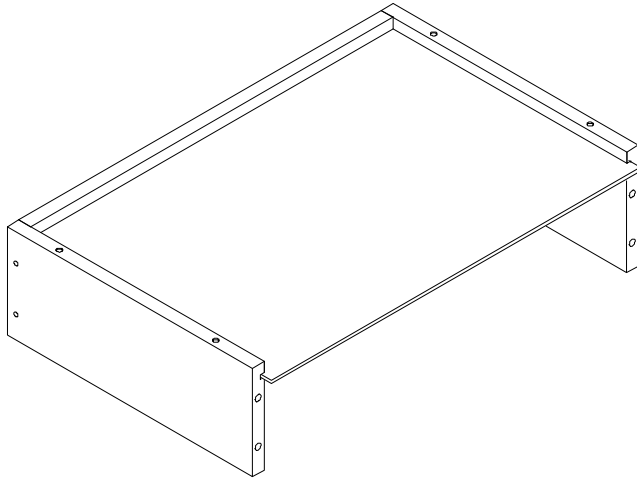
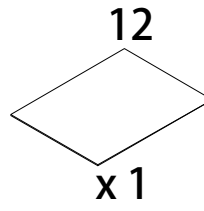
13



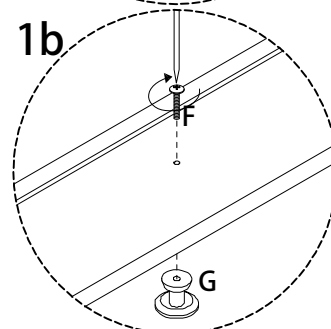
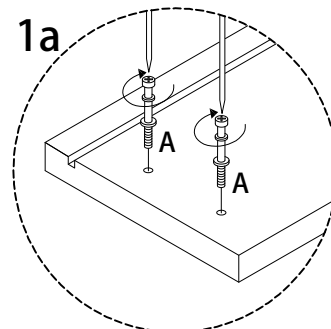
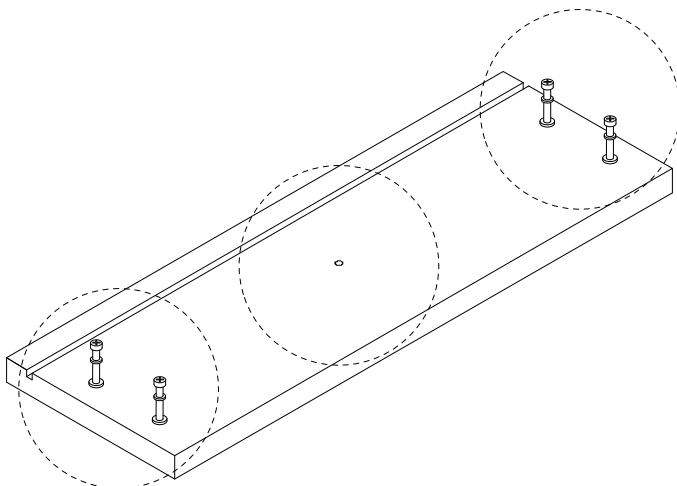
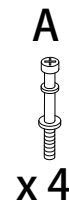
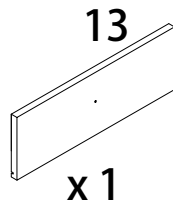
14 x 2



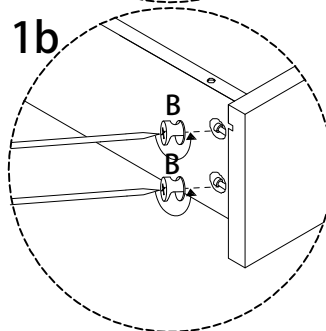
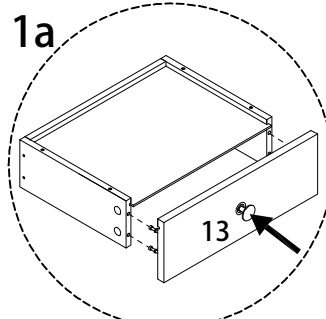
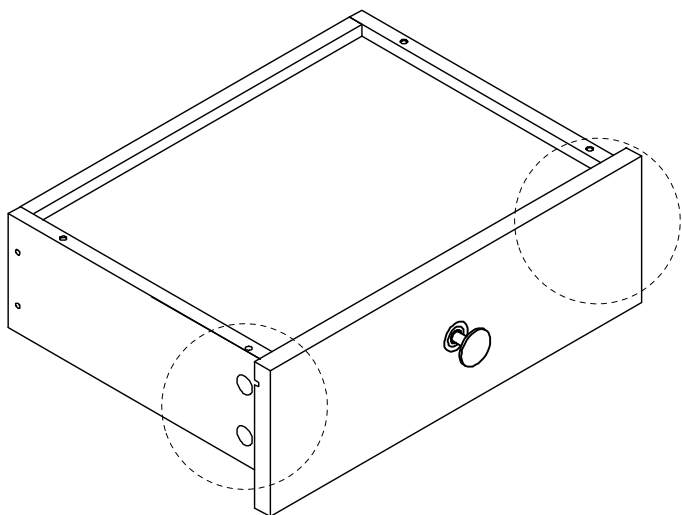
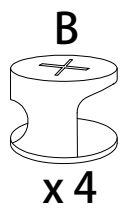
15 x2



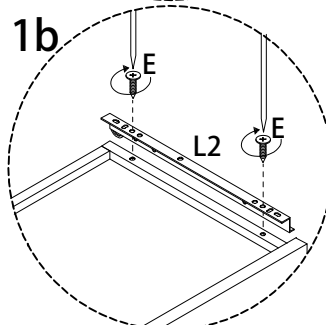
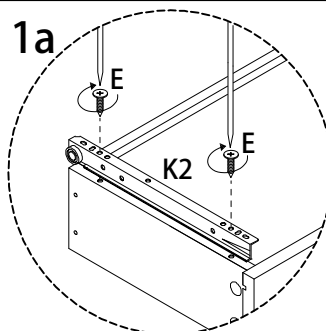
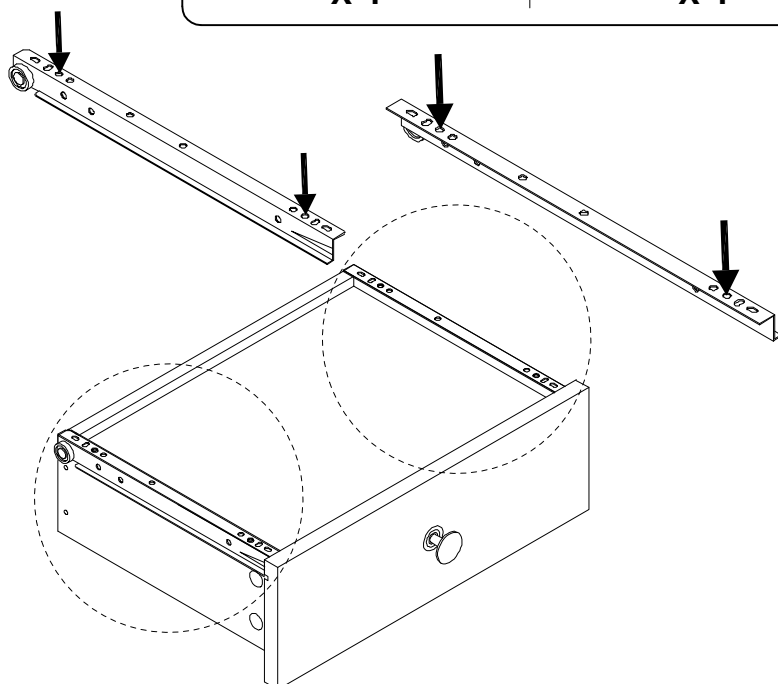
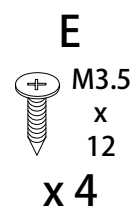
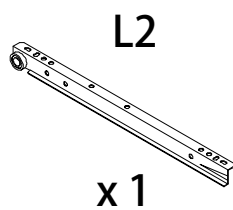
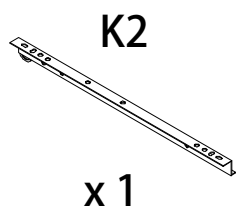
16 x2



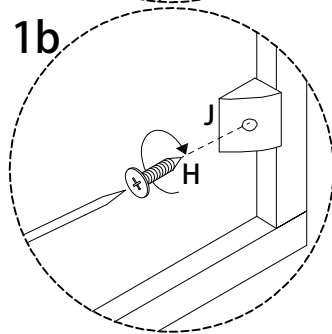
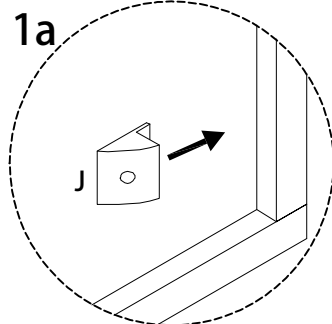
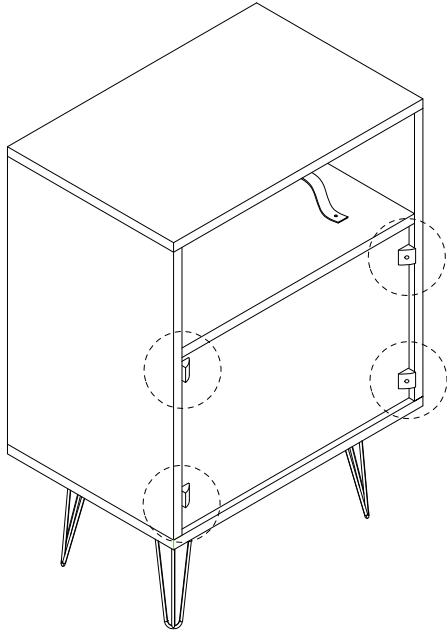
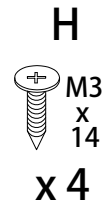
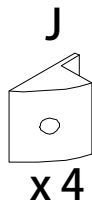
17 x2



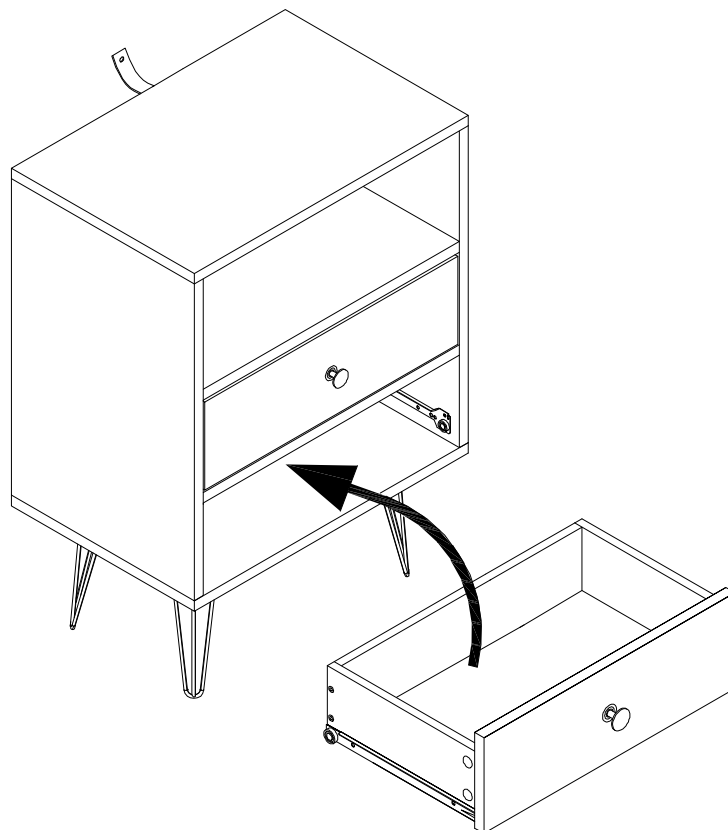
18 x2



19



20



21

