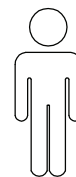
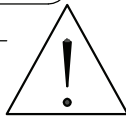
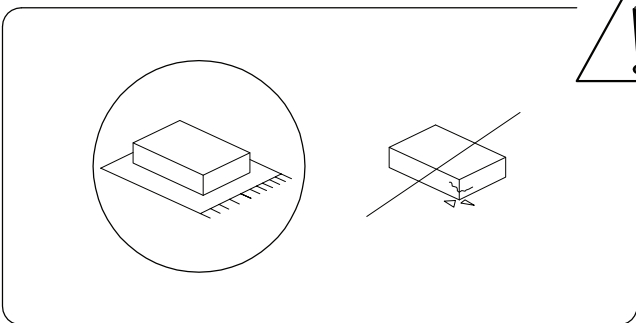
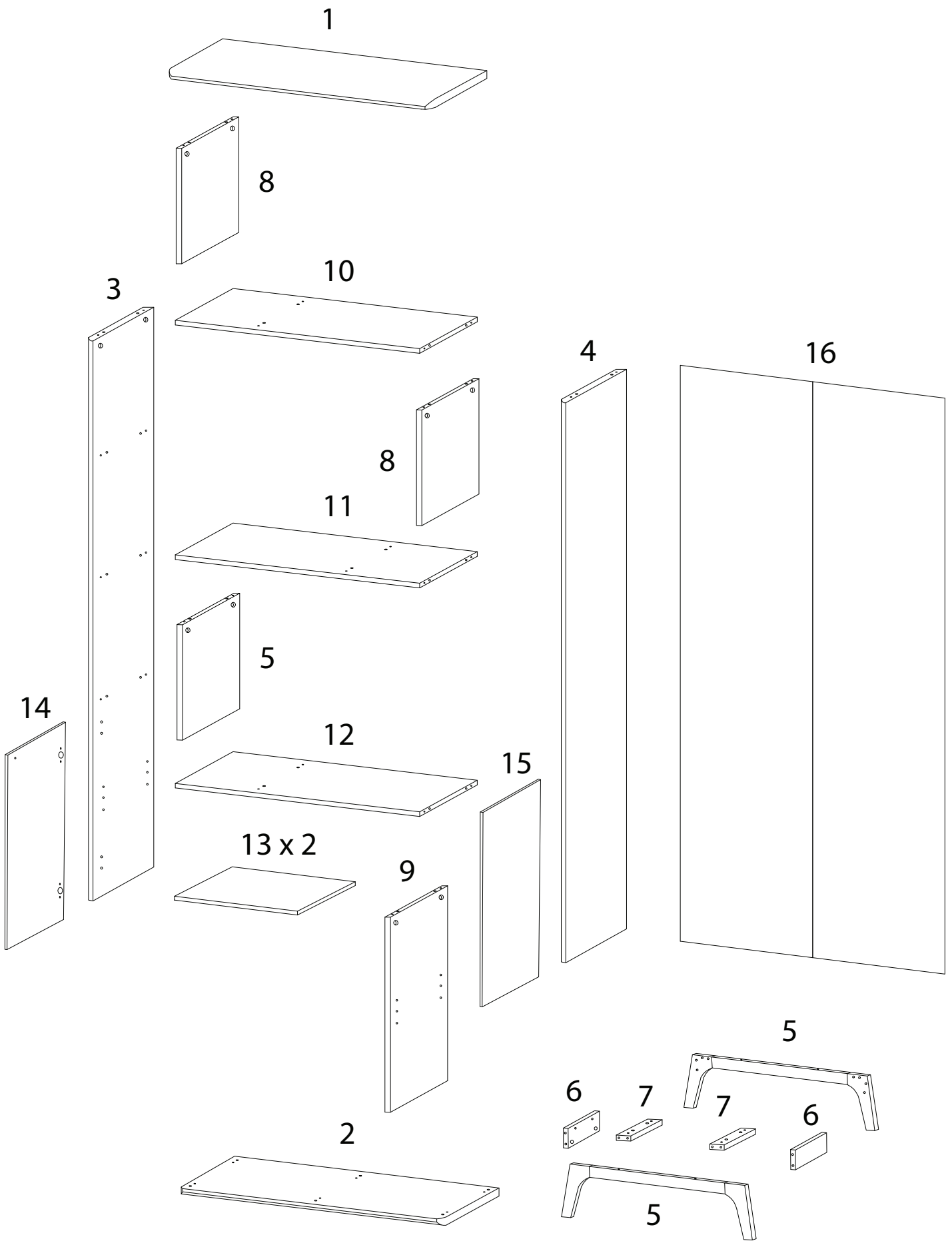


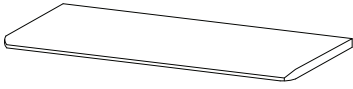
60'



2



1



x 1

2



x 1

3



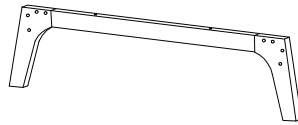
x 1

4



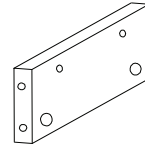
x 1

5



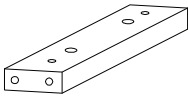
x 2

6



x 2

7



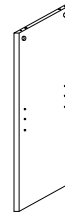
x 2

8



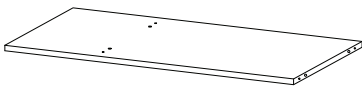
x 3

9



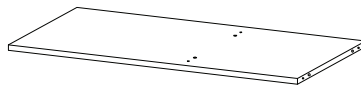
x 1

10



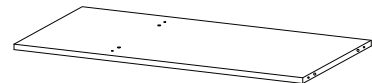
x 1

11



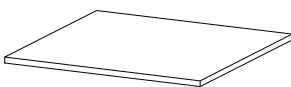
x 1

12



x 1

13



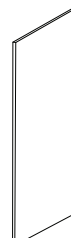
x 2

14



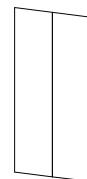
x 1

15



x 1

16



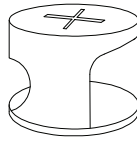
x 1

A



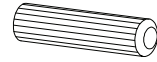
x 28

B



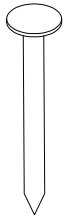
x 28

C



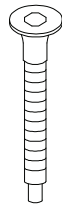
x 56

D



x 20

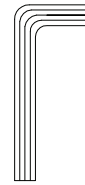
E



7
x
50

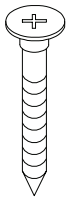
x 12

F



x 1

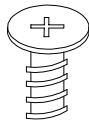
G



12
x
35

x 4

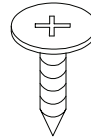
H



6.5
x
10.5

x 8

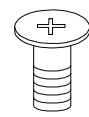
I



3.5
x
13

x 12

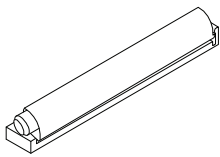
J



12
x
10

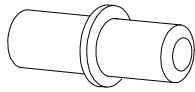
x 2

K



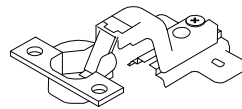
x 2

L



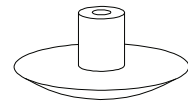
x 8

M



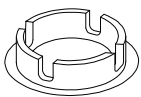
x 4

N



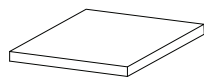
x 8

O



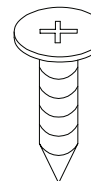
x 4

P



x 4

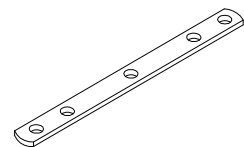
Q



3.5
x
15.5

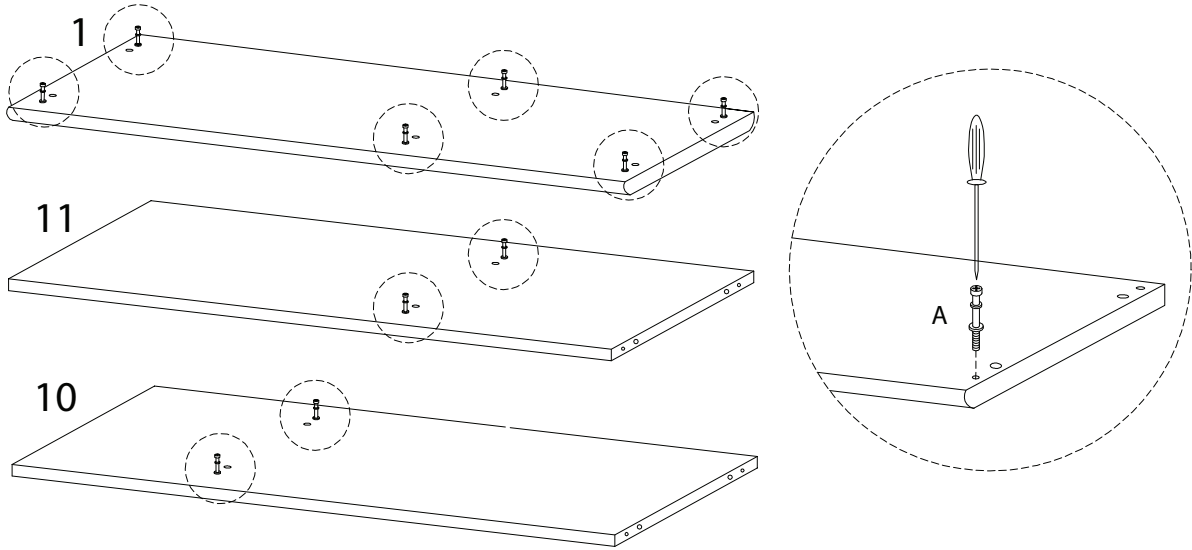
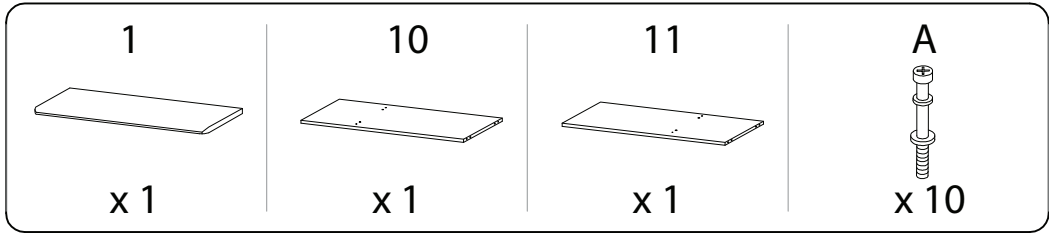
x 4

R

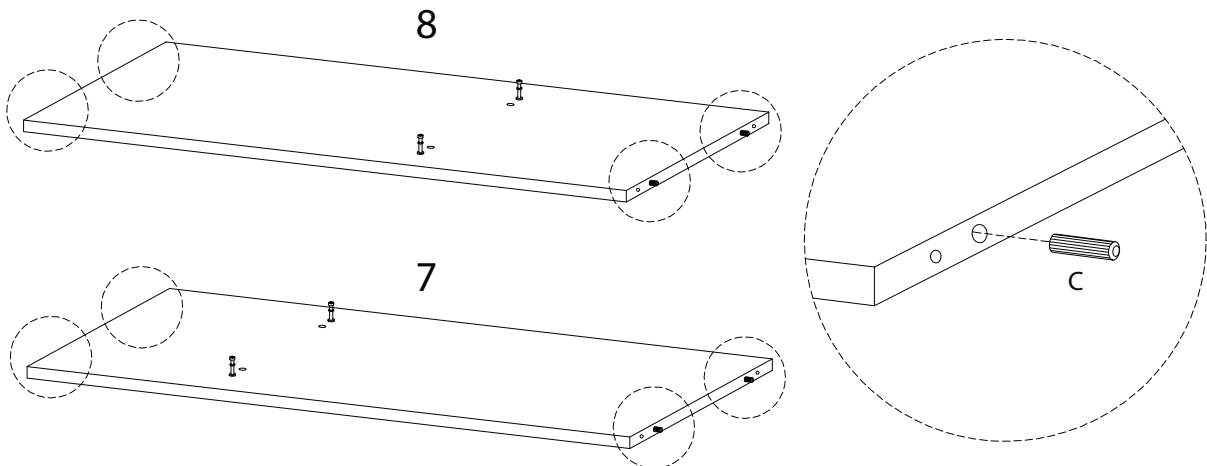
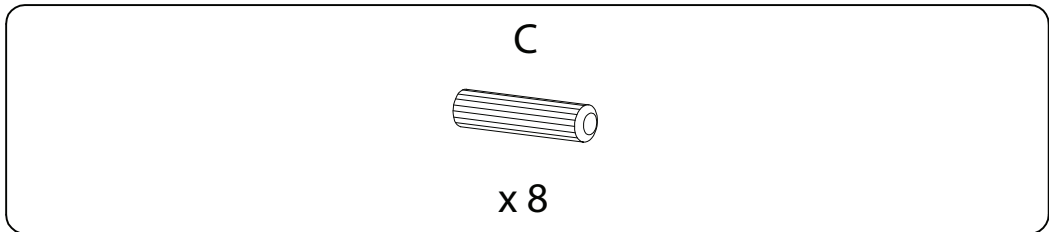


x 2

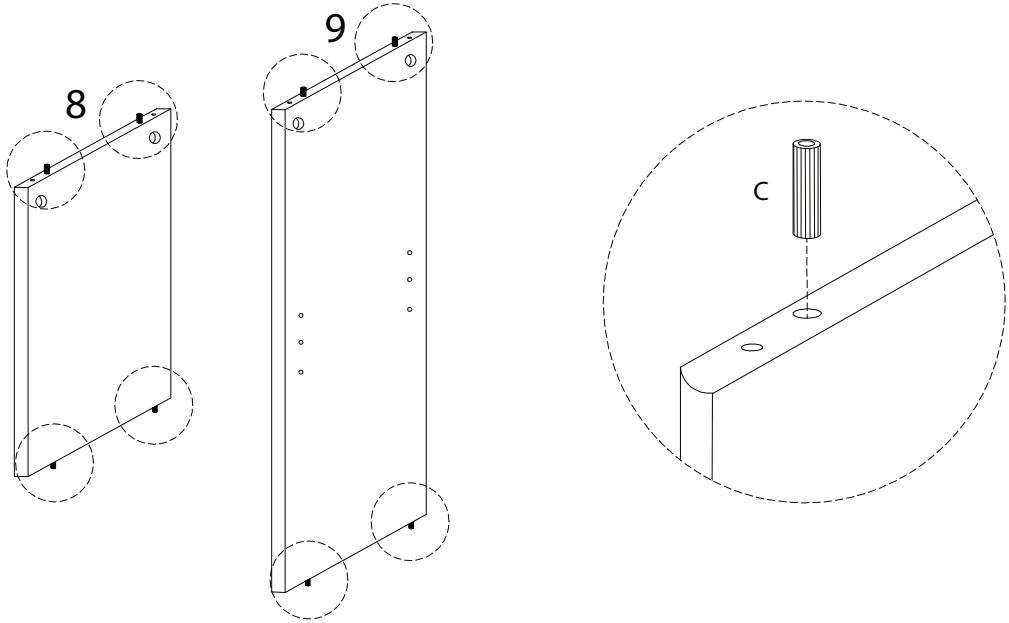
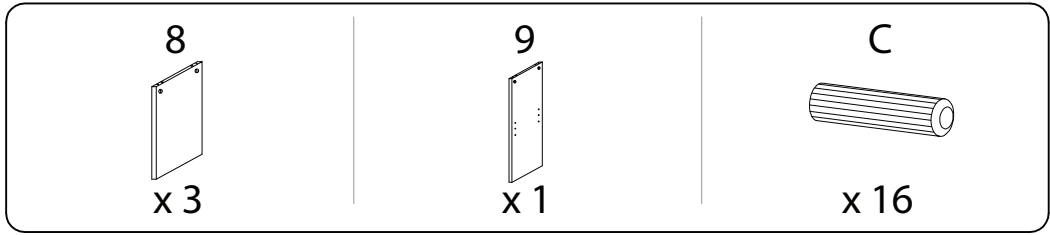
1



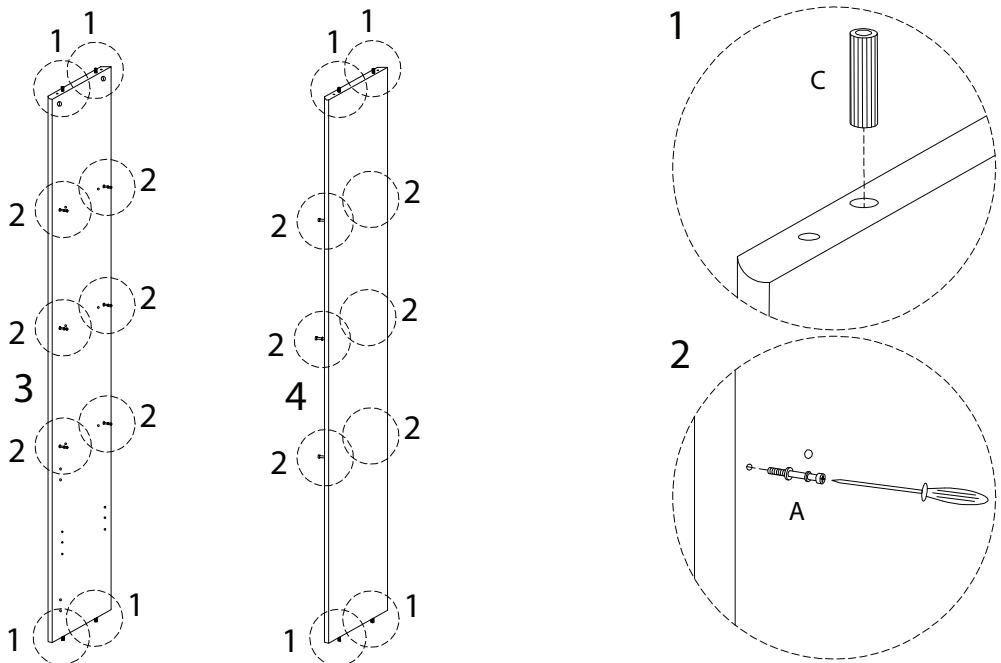
2



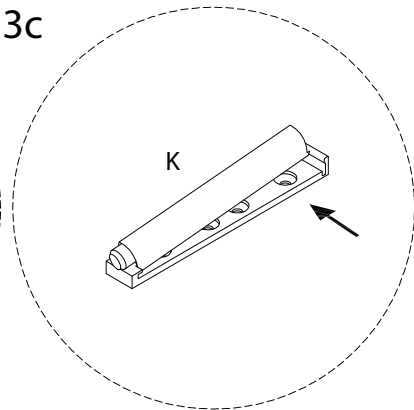
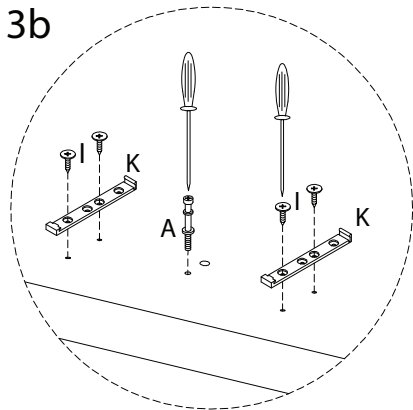
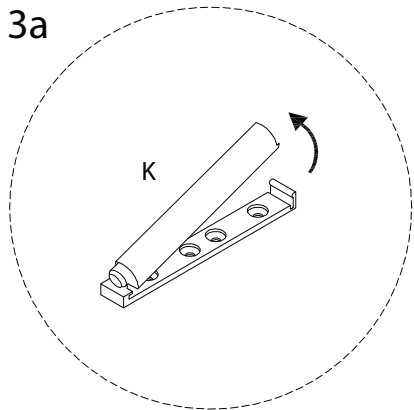
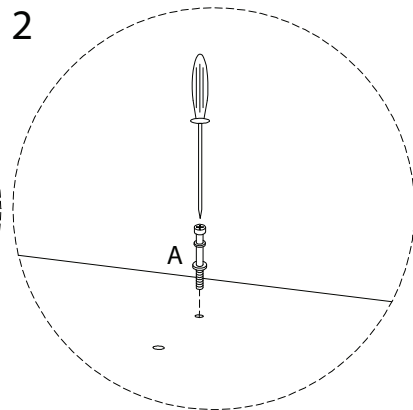
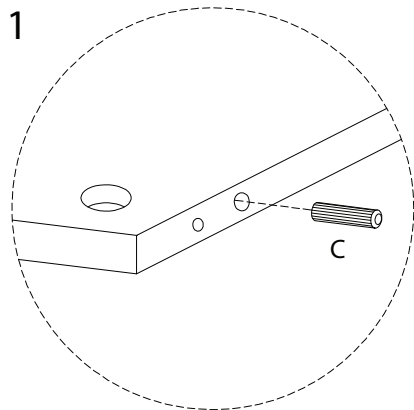
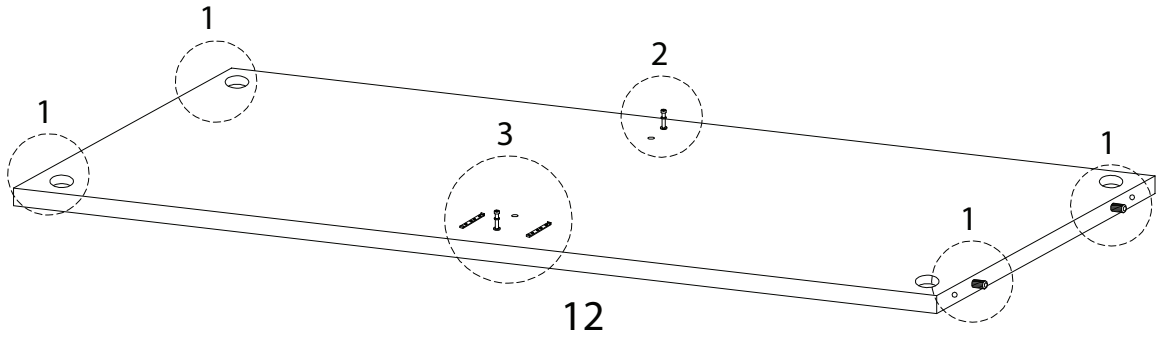
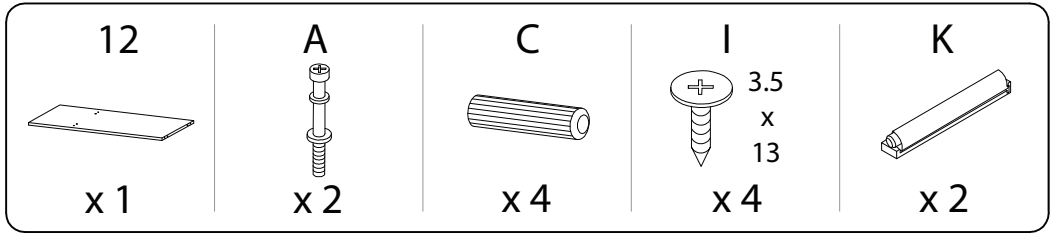
3



4



5

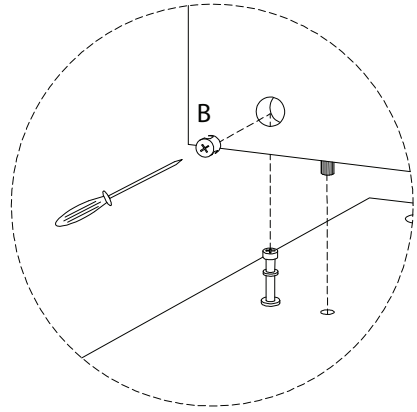
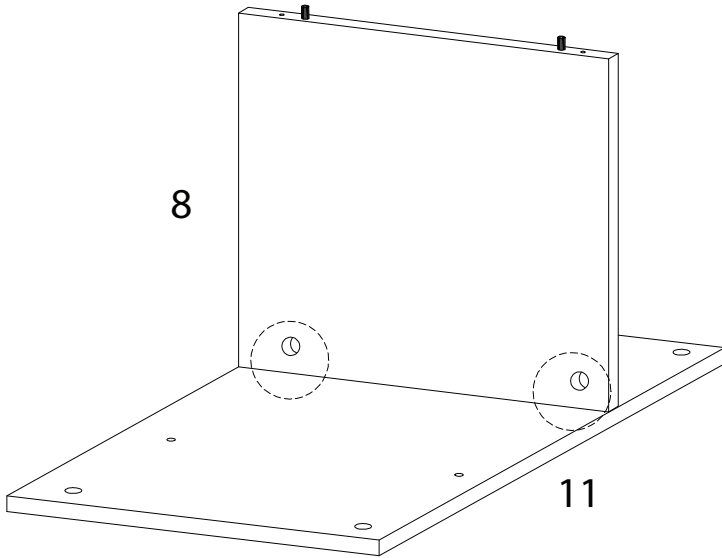


6

B

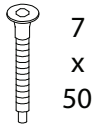


x 2



7

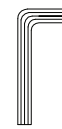
E



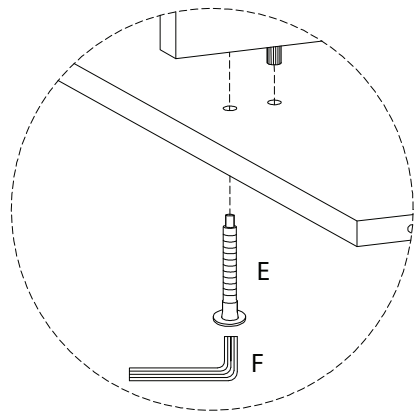
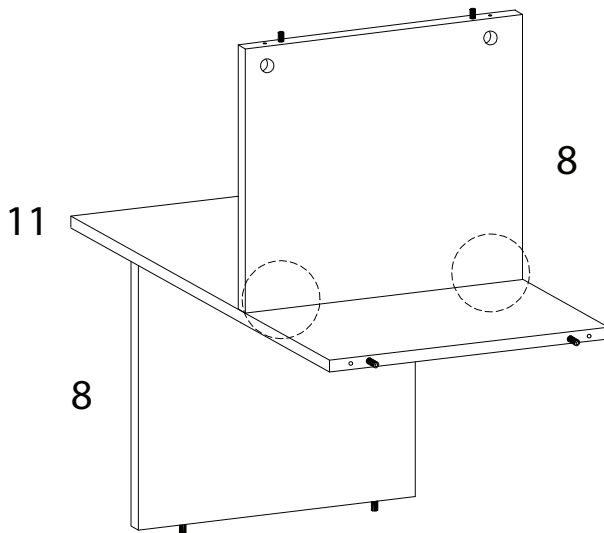
7
x
50

x 2

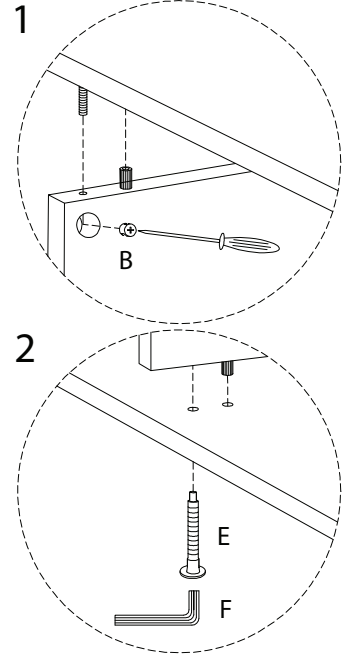
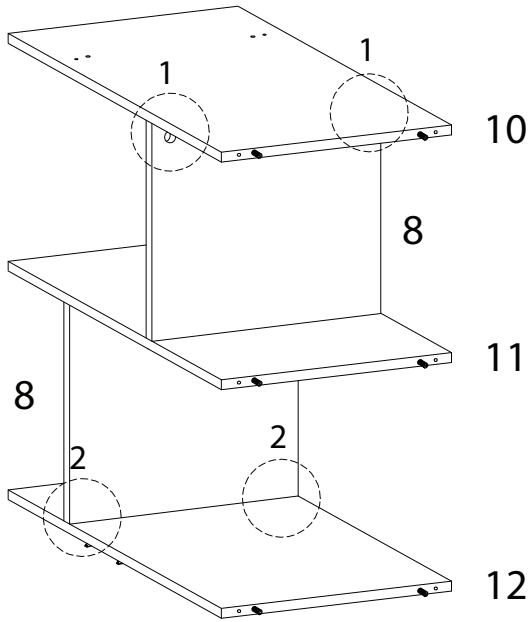
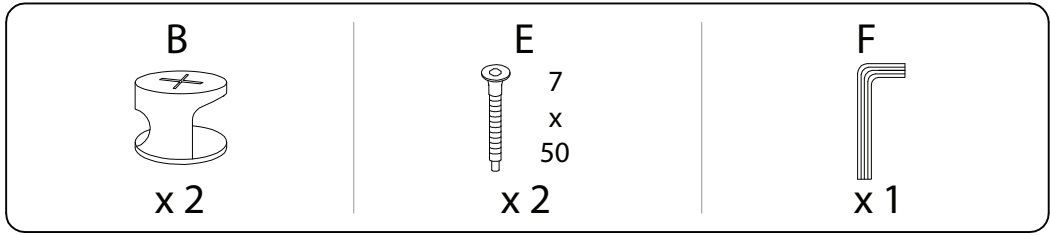
F



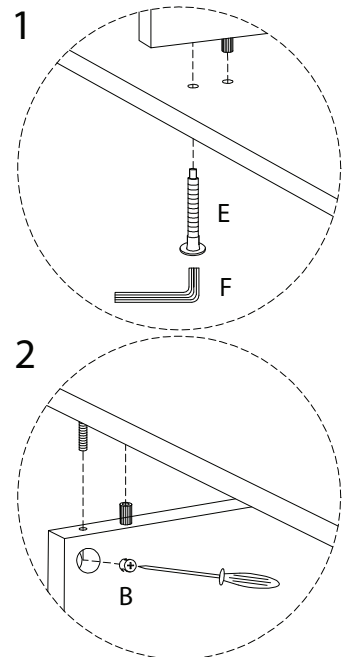
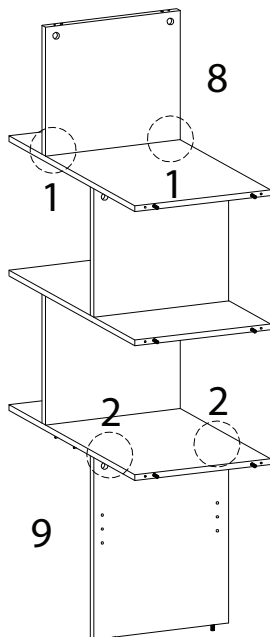
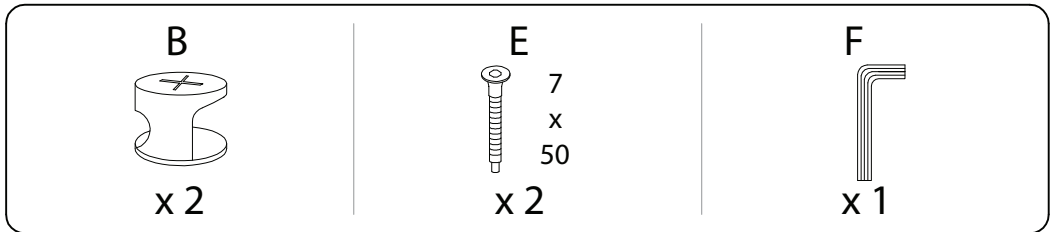
x 1



8



9

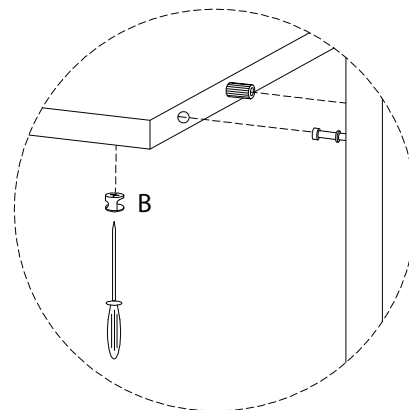
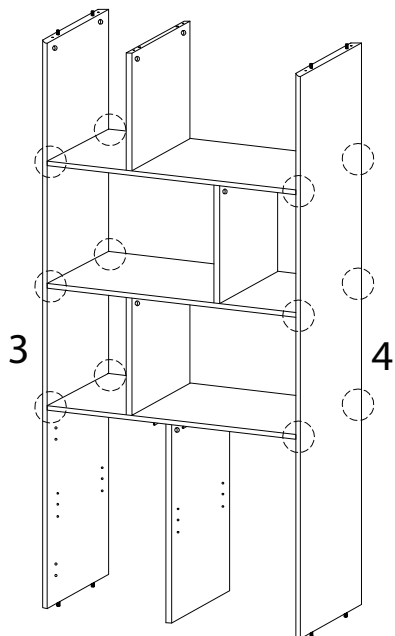


10

B

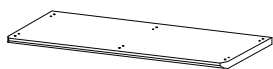


x 12



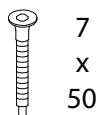
11

2



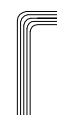
x 1

E

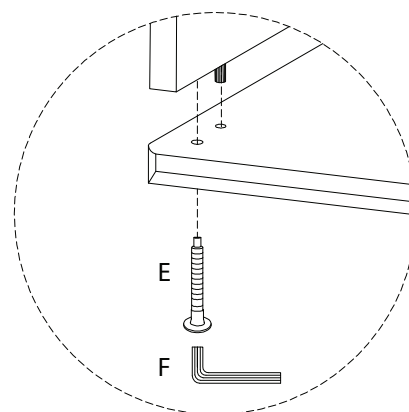
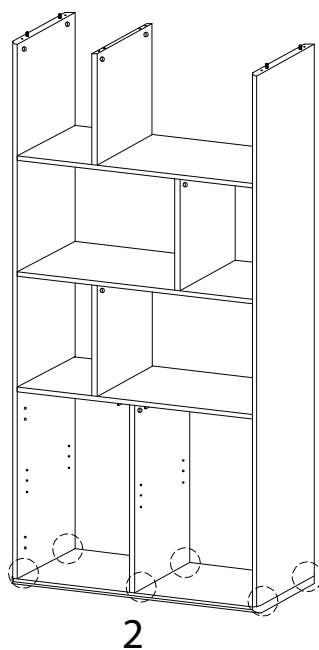


7
x
50
x 6

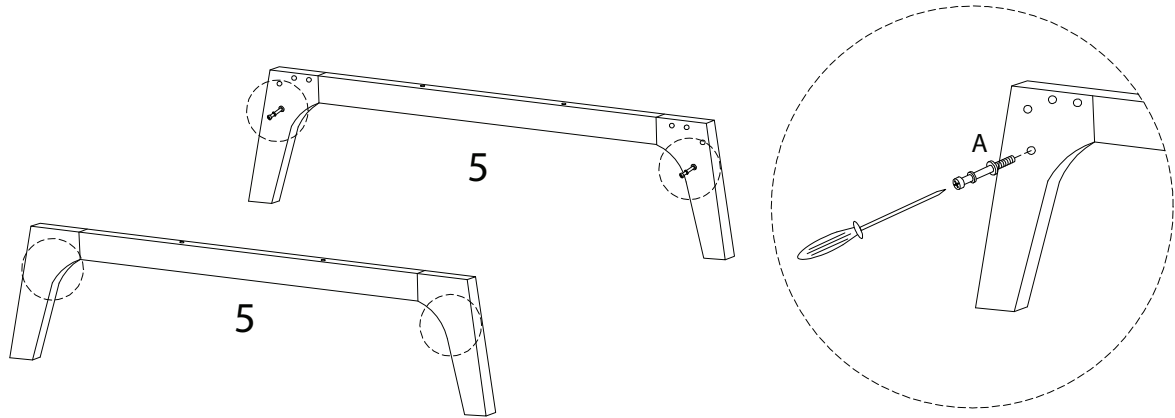
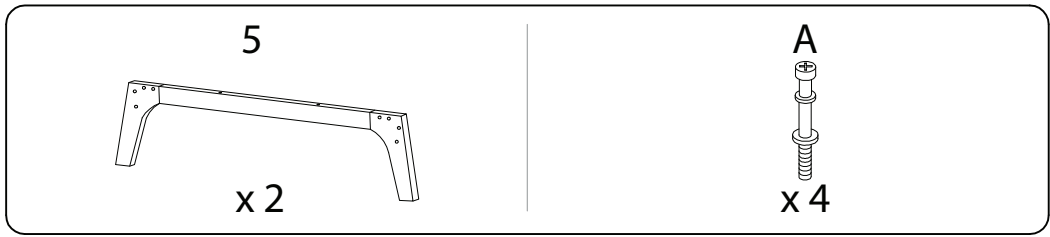
F



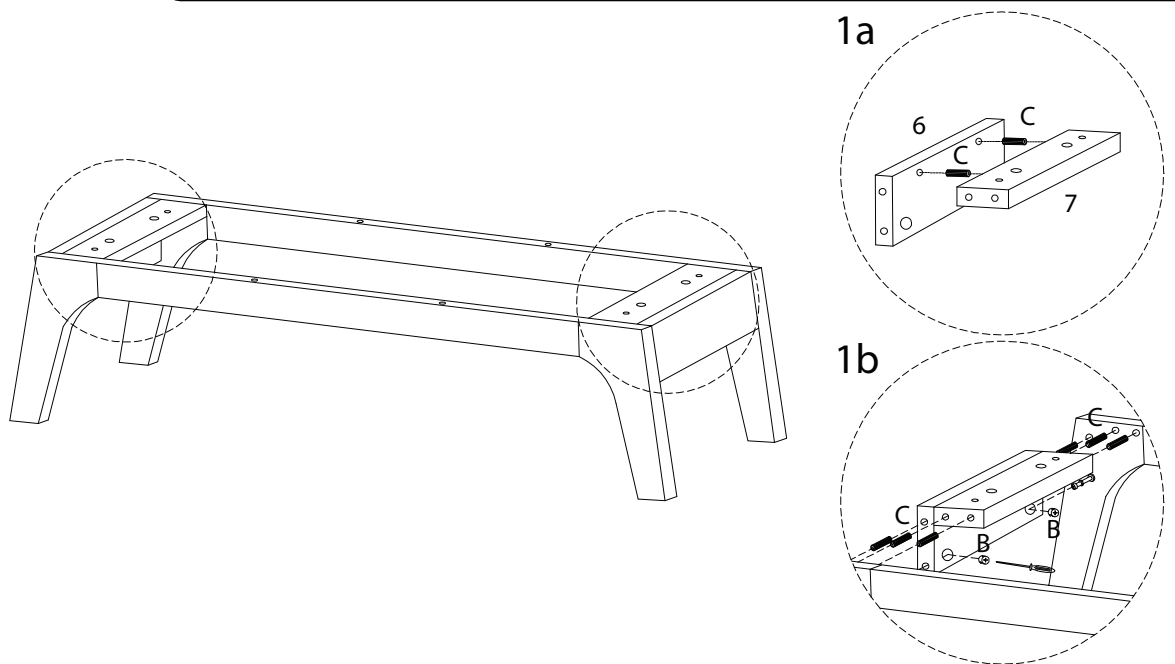
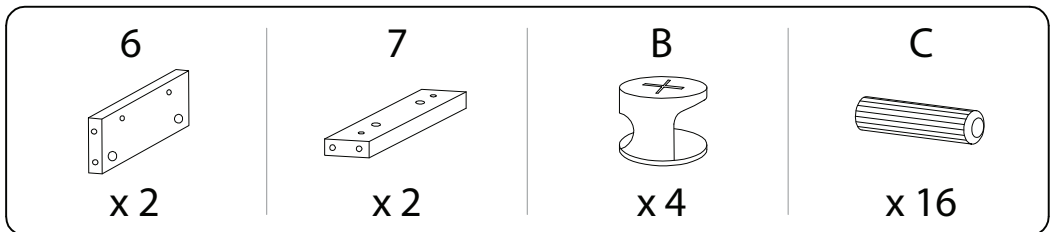
x 1



12

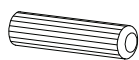


13

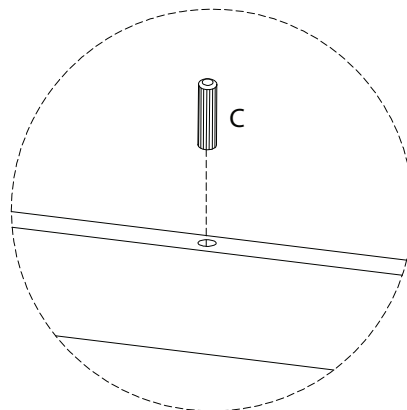
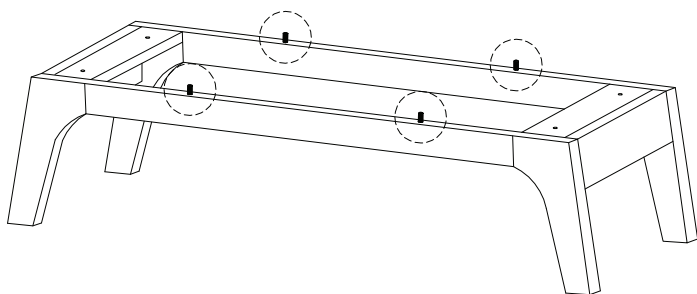


14

C

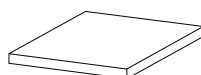


x4

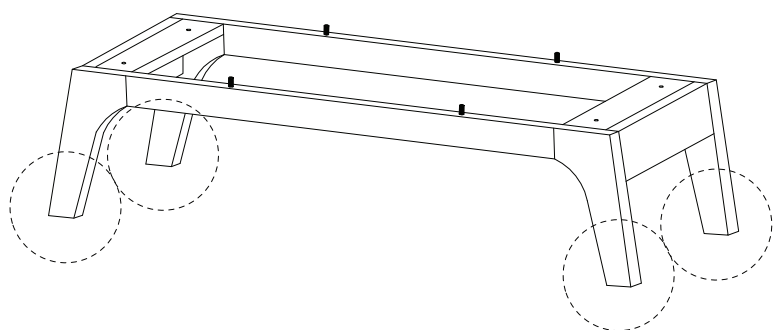


15

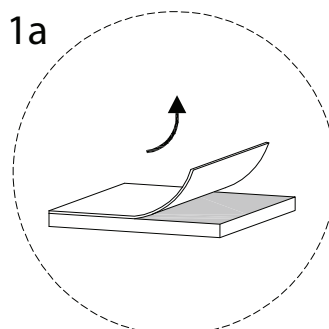
P



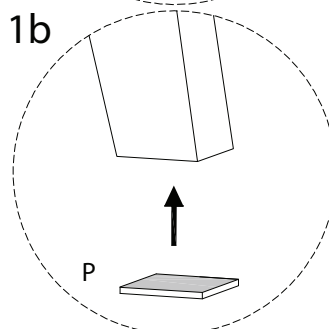
x4



1a

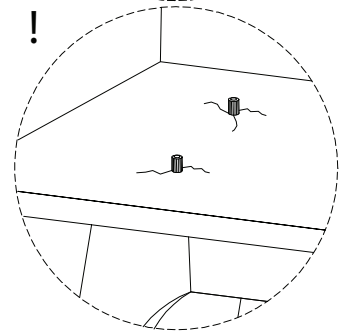
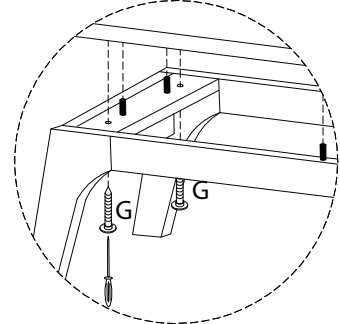
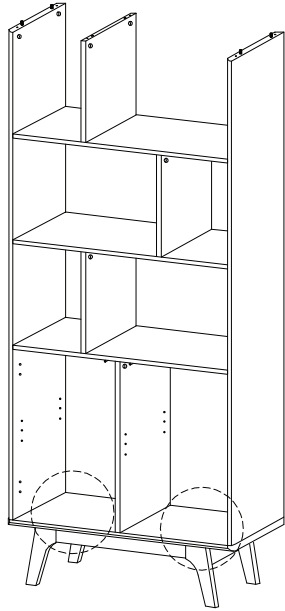


1b



16

G
12
x
35
x4



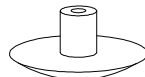
17

B



x6

N

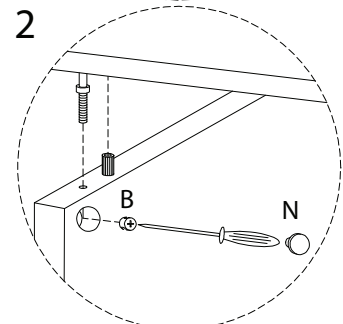
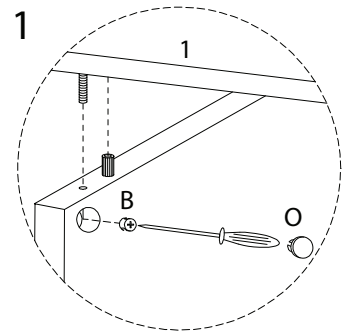
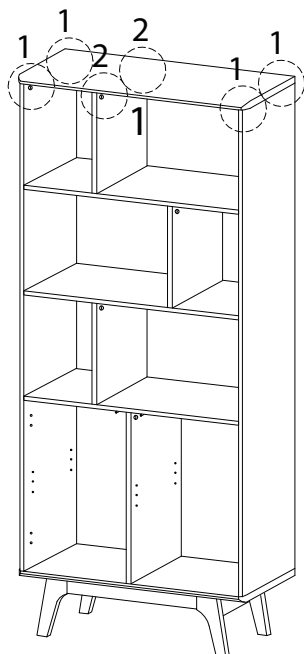


x2

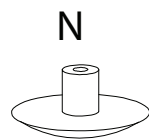
O



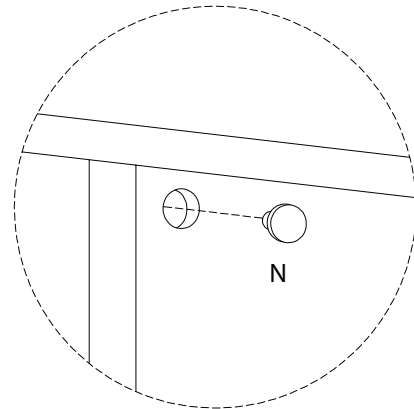
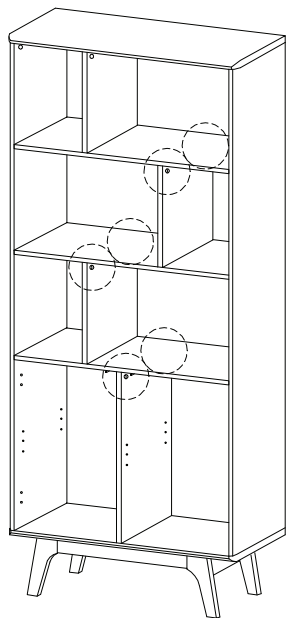
x4



18



x6



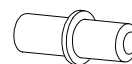
19

10

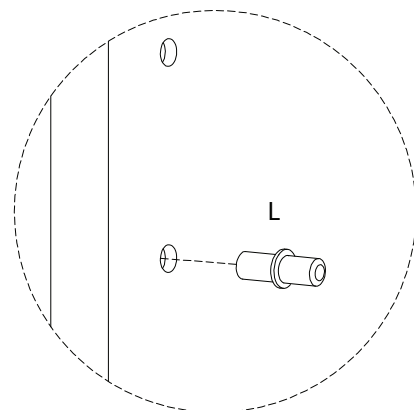
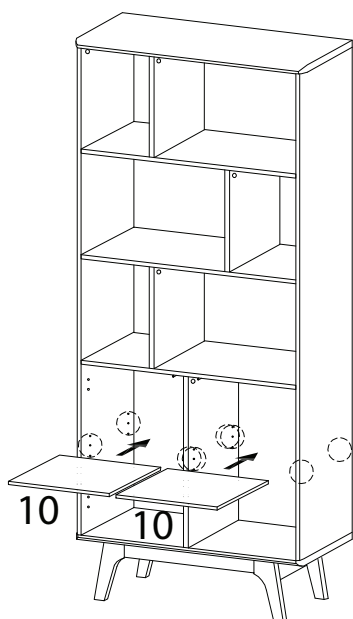


x2

L



x8

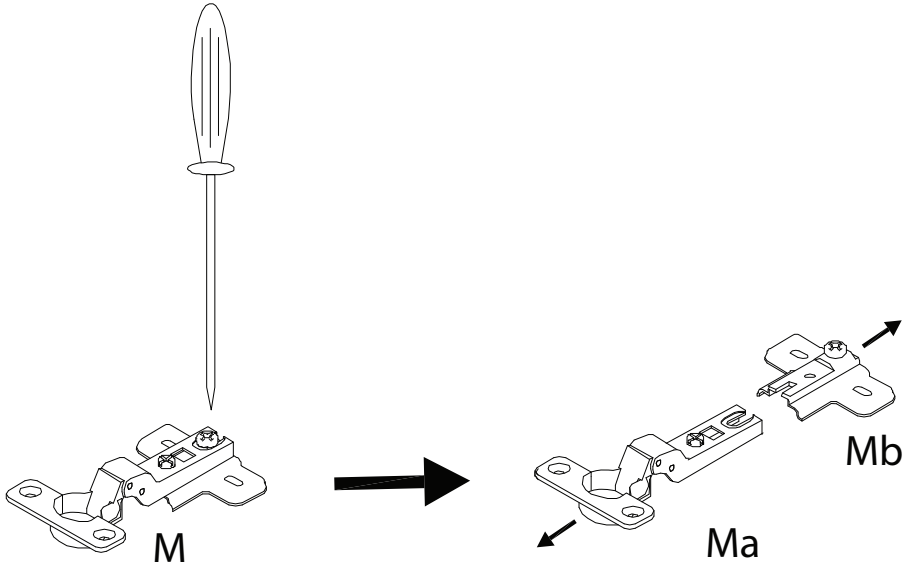


20

M



x 4



21

11

x 1

12

x 1

I

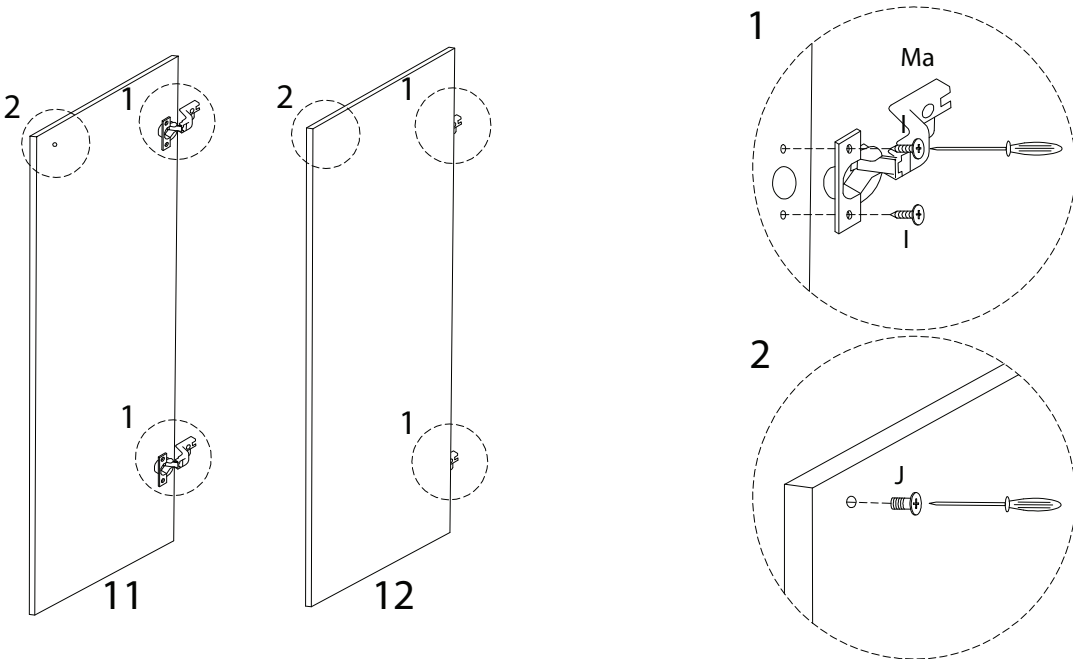
3.5
x
13

x 8

J

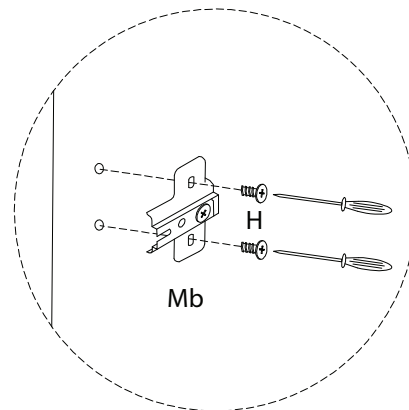
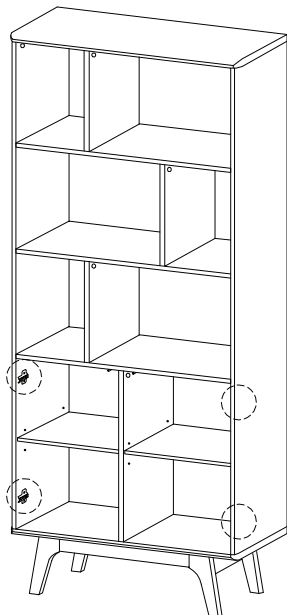
12
x
10

x 2

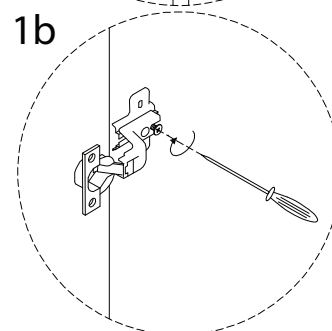
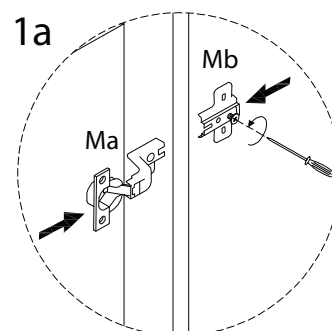
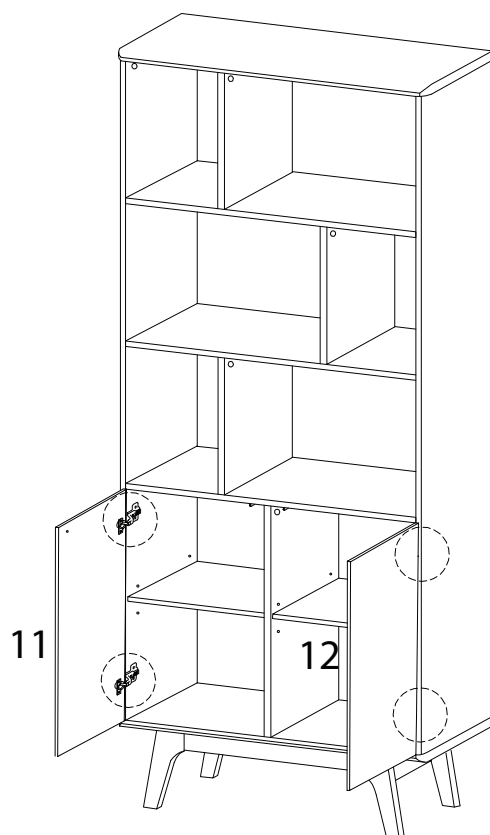


22

H
6.5
x
10.5
x 8



23



24

16

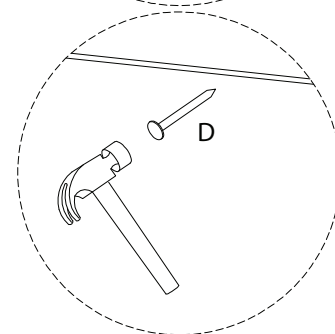
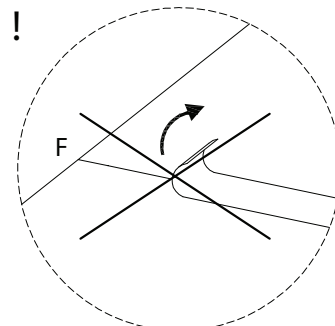
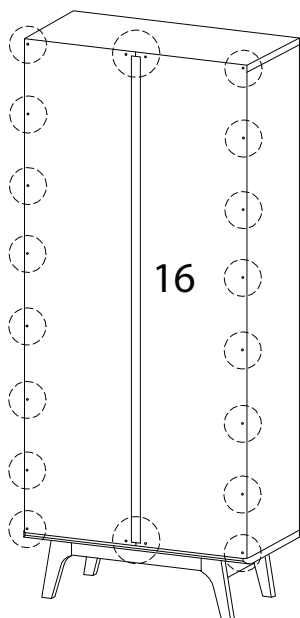


x 1

D

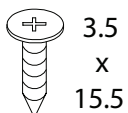


x 20



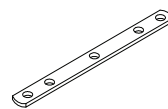
25

Q



x 4

R



x 2

