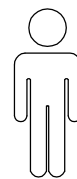
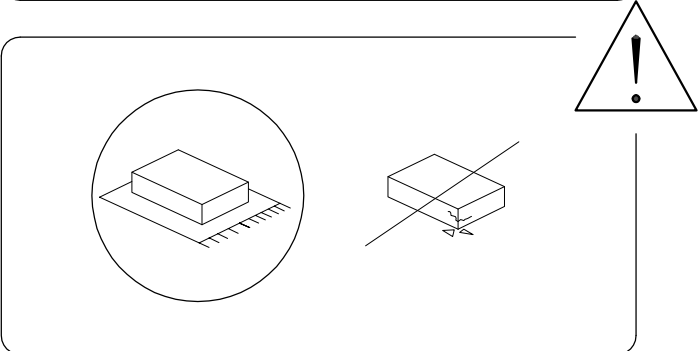
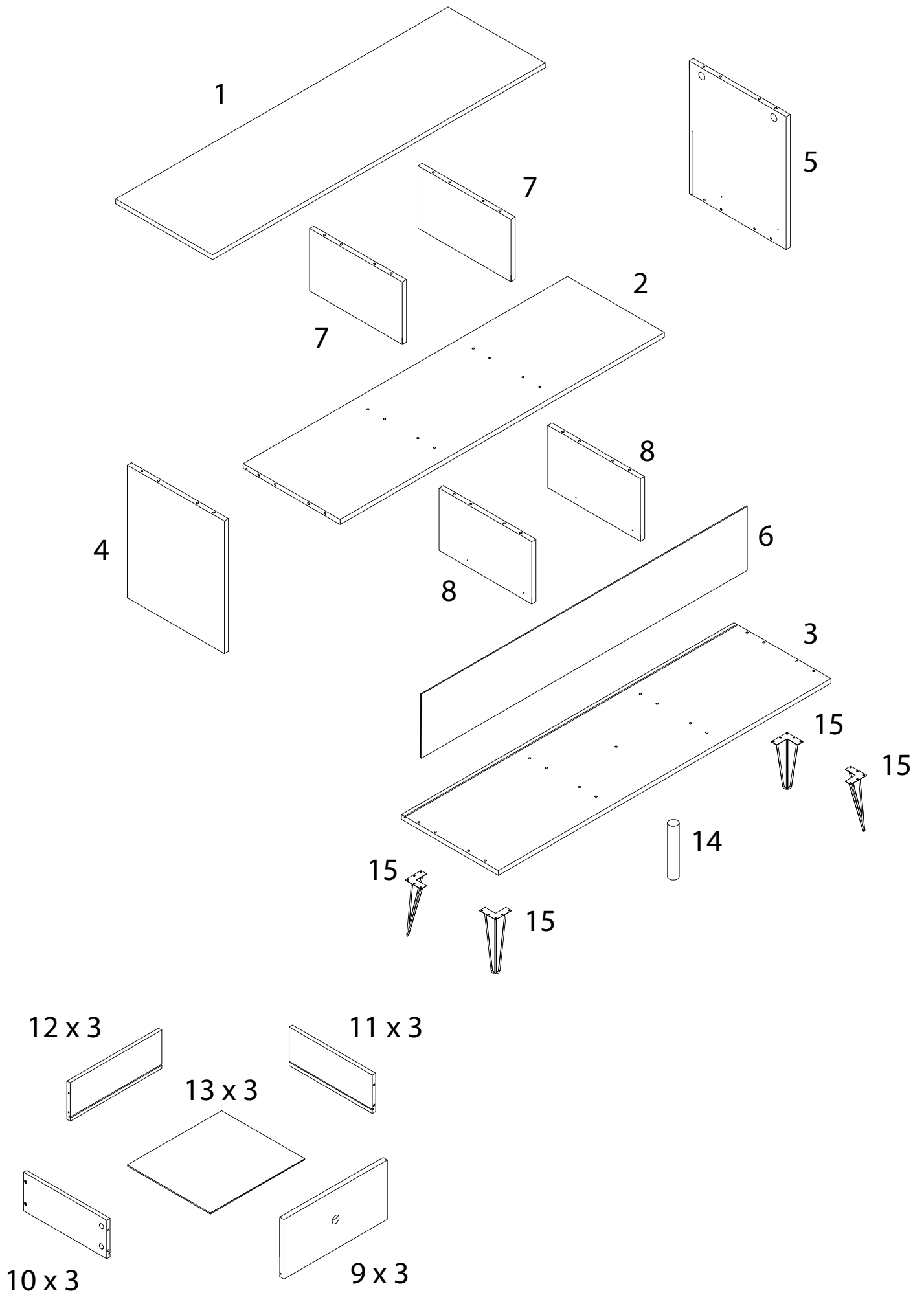


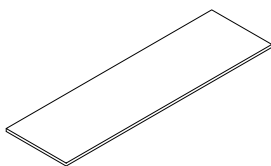
120'



1

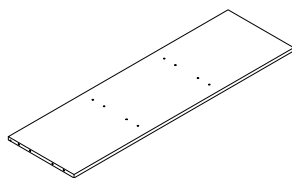


1



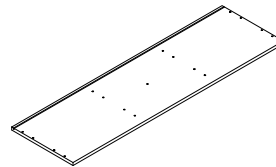
x 1

2



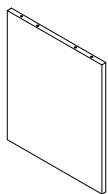
x 1

3



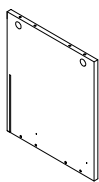
x 1

4



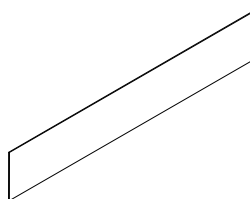
x 1

5



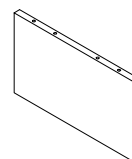
x 1

6



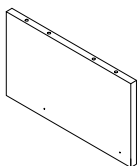
x 1

7



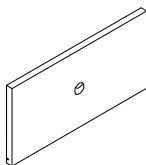
x 2

8



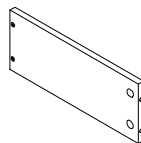
x 2

9



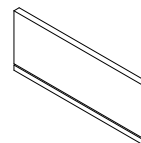
x 3

10



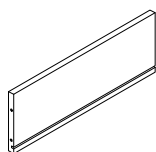
x 3

11



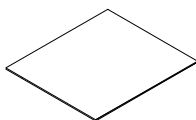
x 3

12



x 3

13



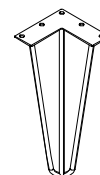
x 3

14



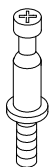
x 1

15



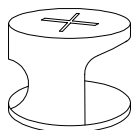
x 4

A



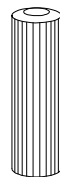
x 28

B



x 28

C



M6
x
30

x 20

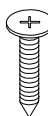
D



M6
x
60

x 4

E



M4
x
40

x 25

F



M3.5
x
12

x 24

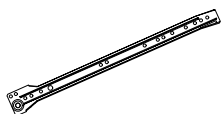
G



M4
x
12

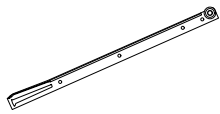
x 20

H1



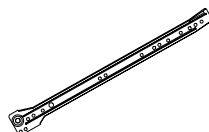
x 3

H2



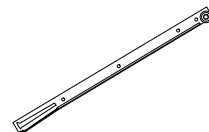
x 3

I1



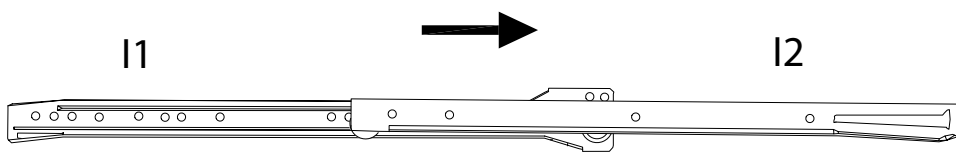
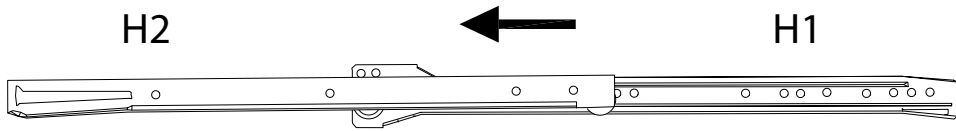
x 3

I2

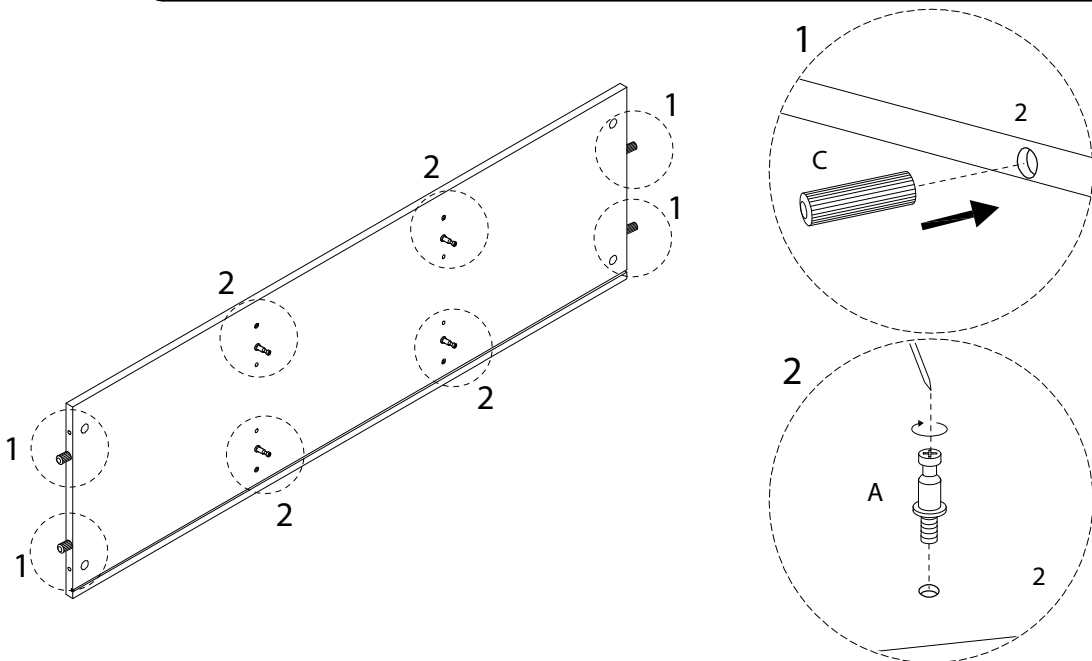
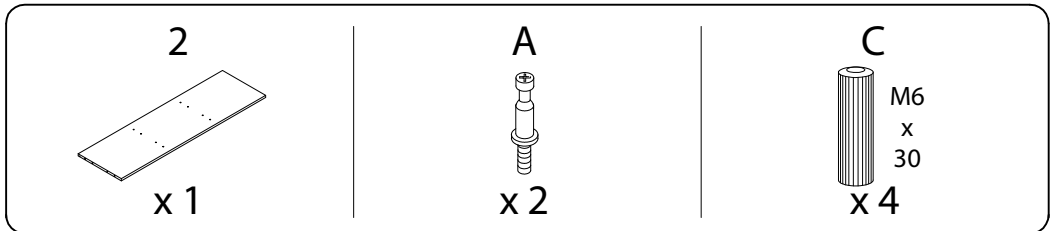


x 3

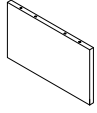
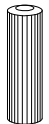
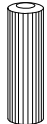
!

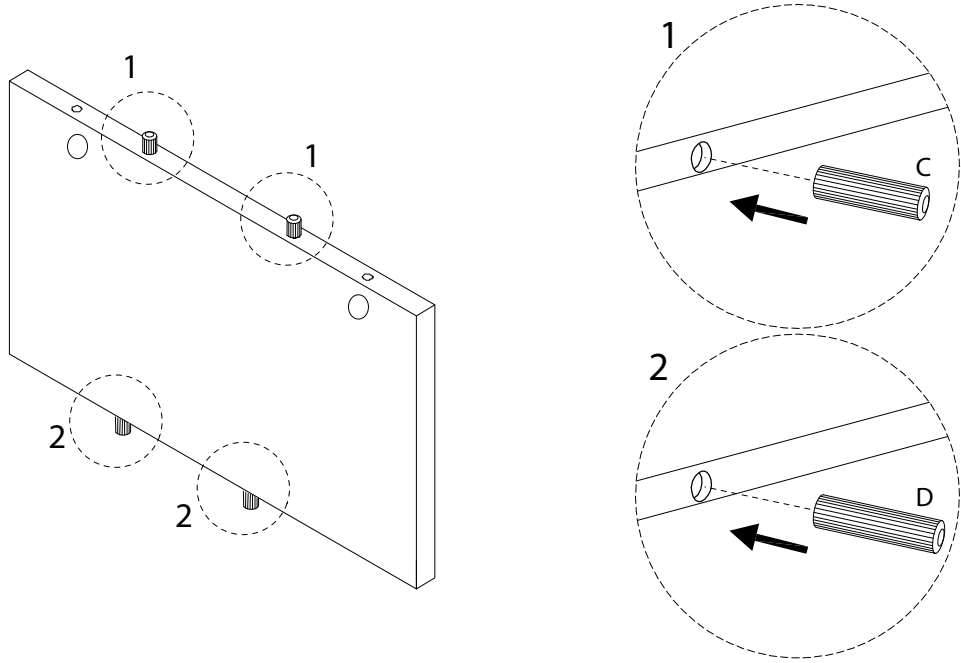


1

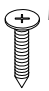


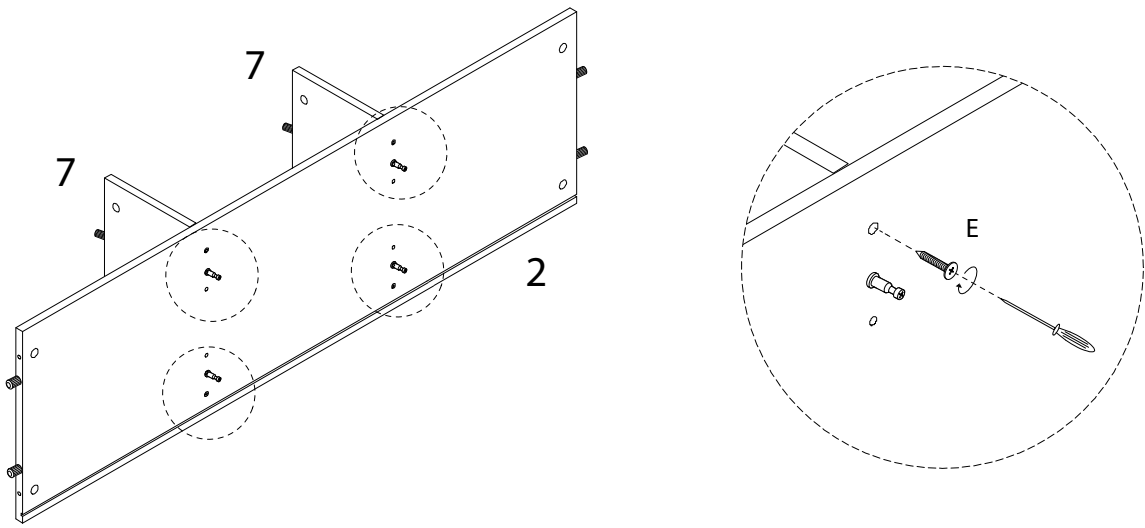
2 x 2

<p>7</p>  <p>x 1</p>	<p>C</p>  <p>M6 x 30</p> <p>x 2</p>	<p>D</p>  <p>M6 x 60</p> <p>x 2</p>
-------------------------------------------------------------------------------------------------------	------------------------------------------------------------------------------------------------------------------------------	--------------------------------------------------------------------------------------------------------------------------------



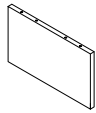
3

<p>E</p>  <p>M4 x 40</p> <p>x 4</p>



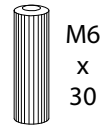
4 x 2

8

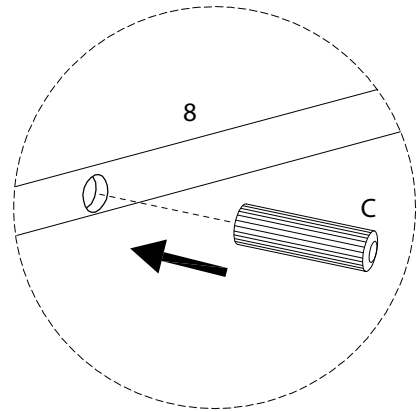
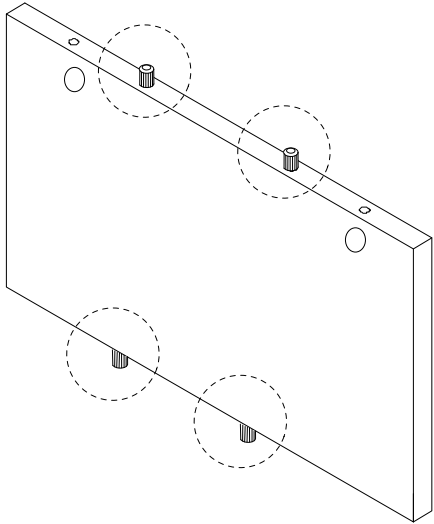


x 1

C

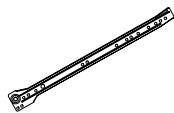


x 4



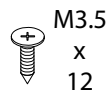
5 x 2

I1

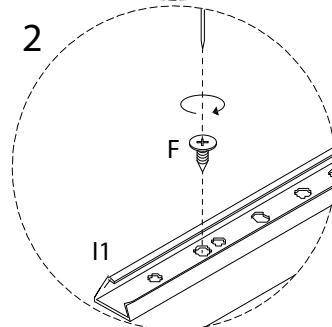
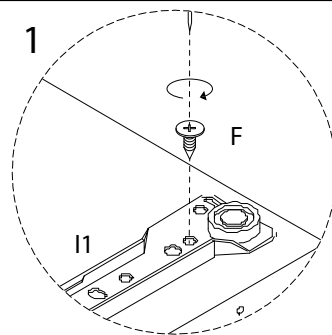
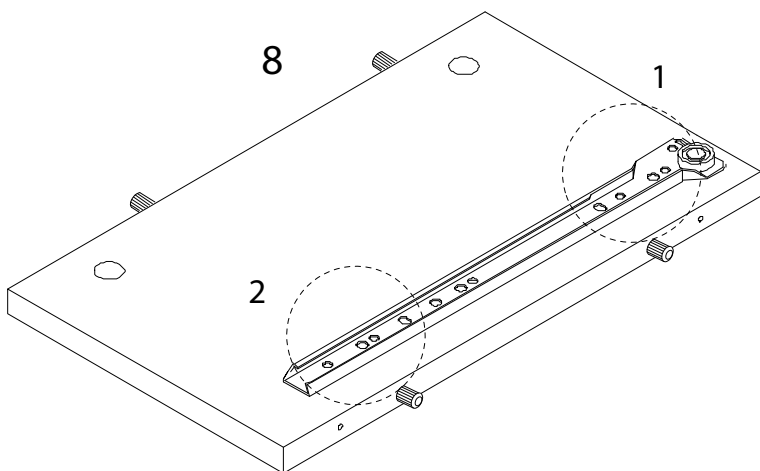


x 1

F

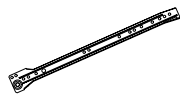


x 2



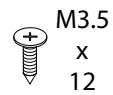
6 x 2

H1

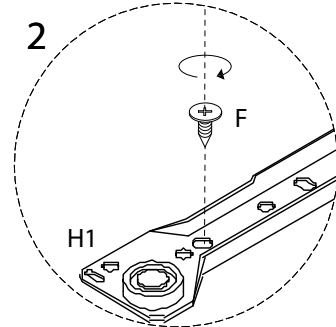
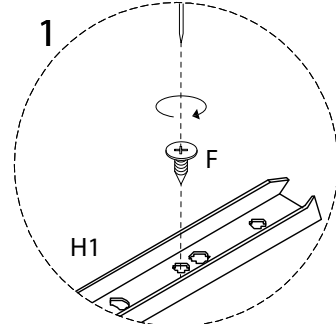
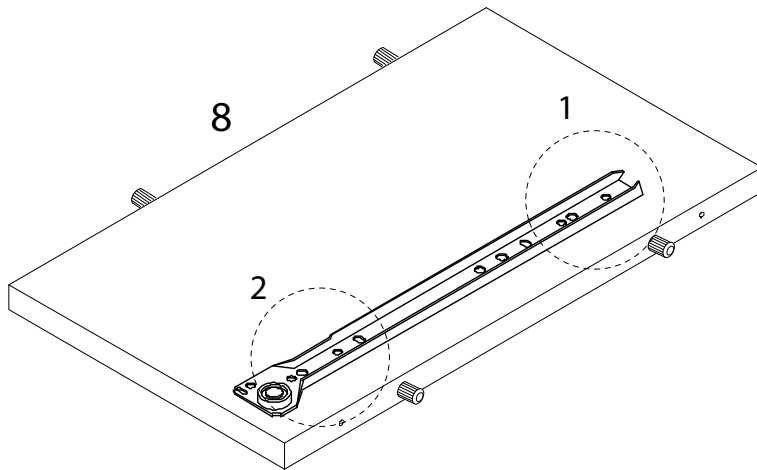


x 1

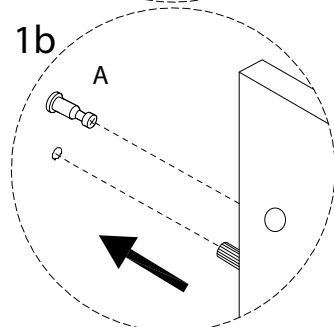
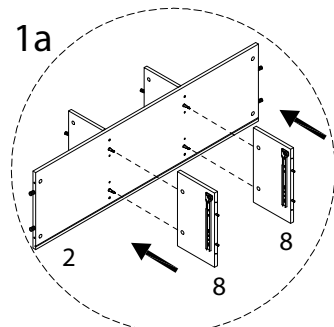
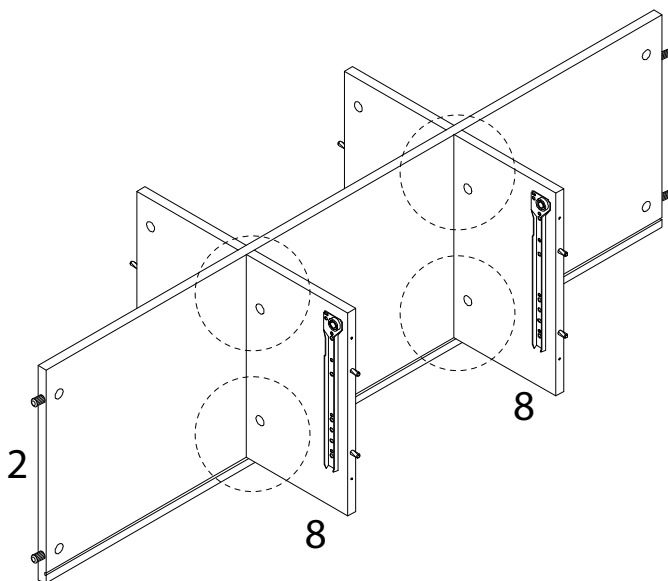
F



x 2



7

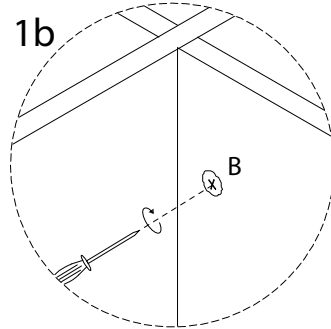
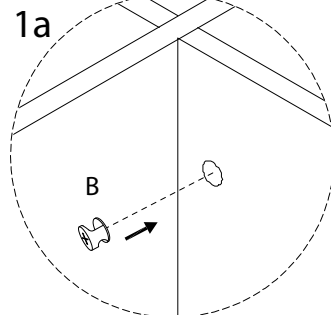
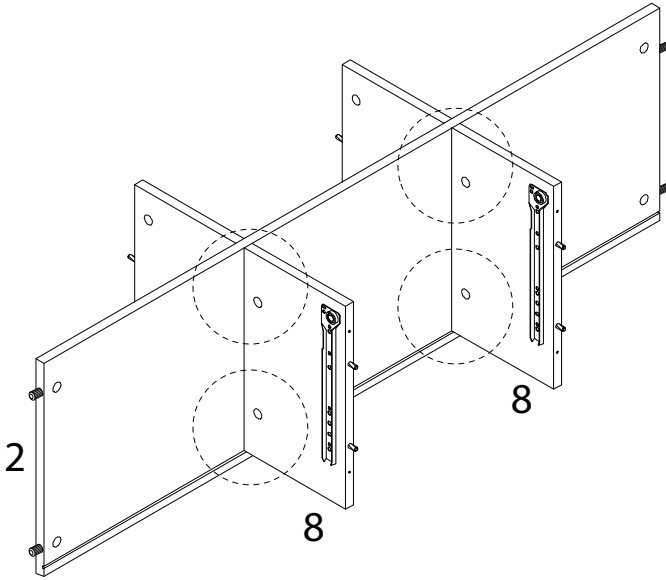


8

B

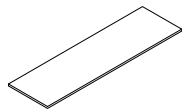


x 4



9

1

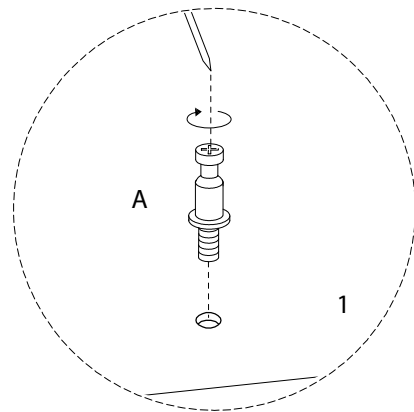
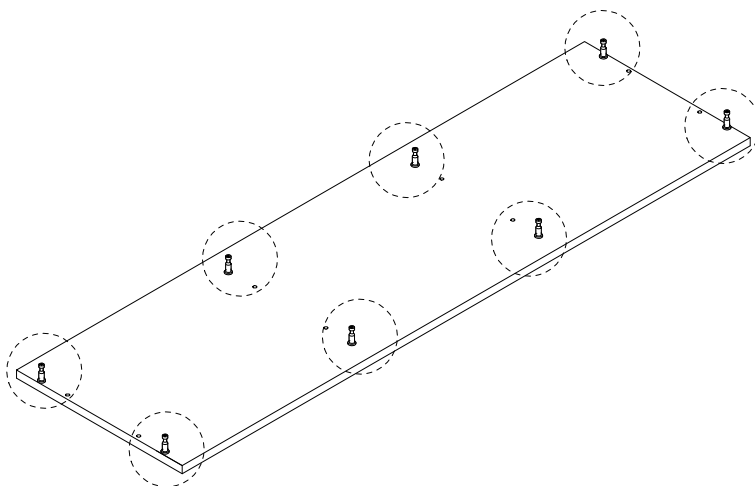


x 1

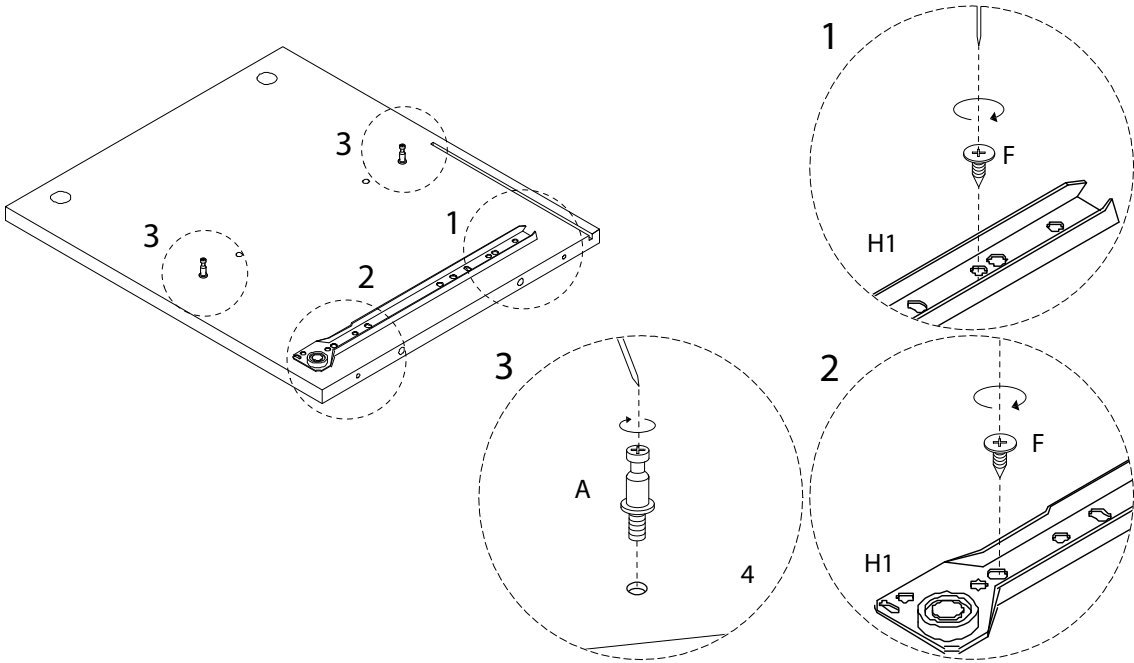
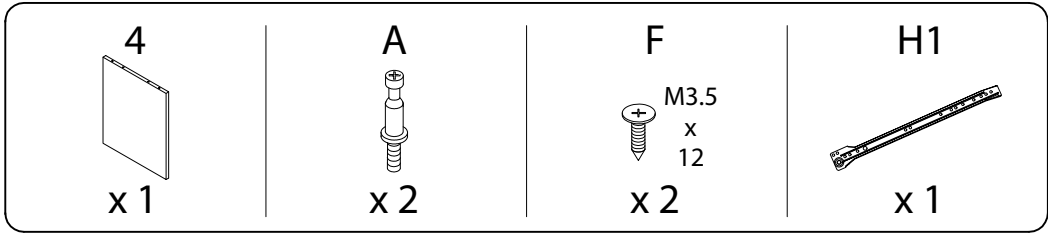
A



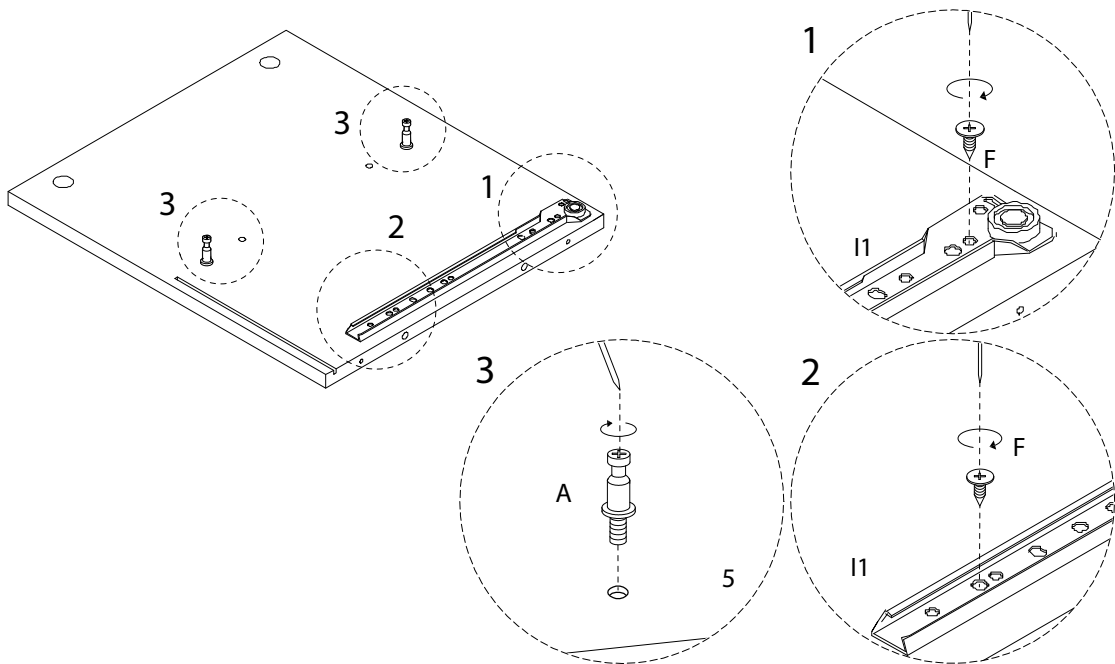
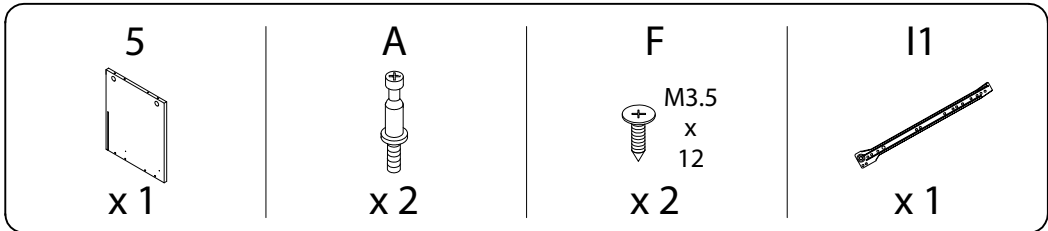
x 8



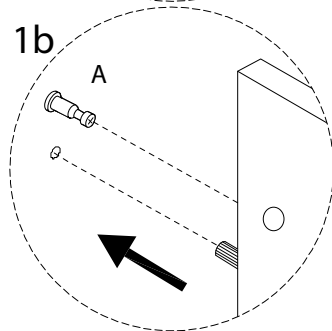
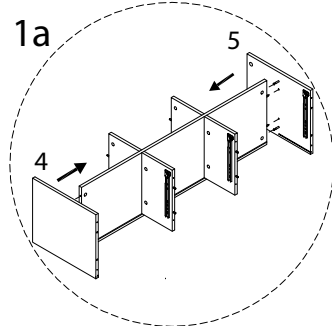
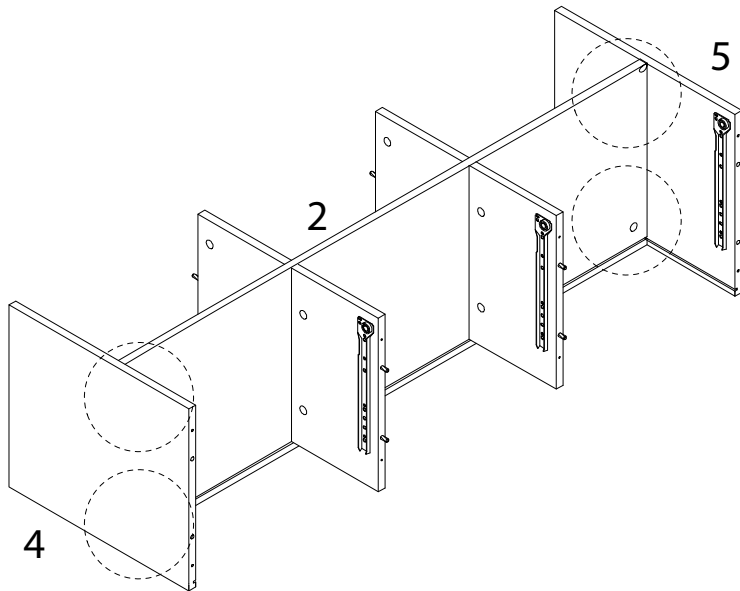
10



11

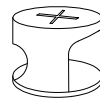


12

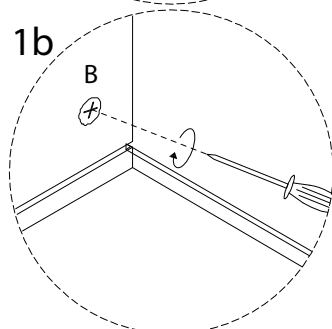
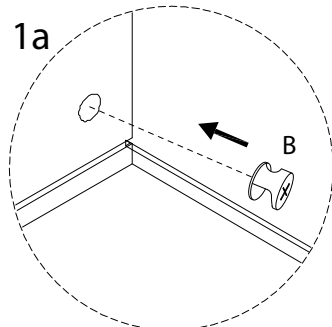
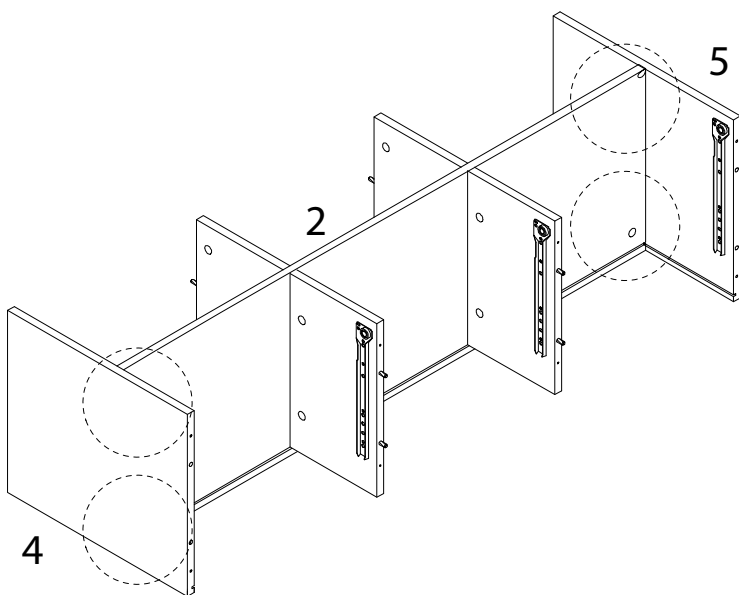


13

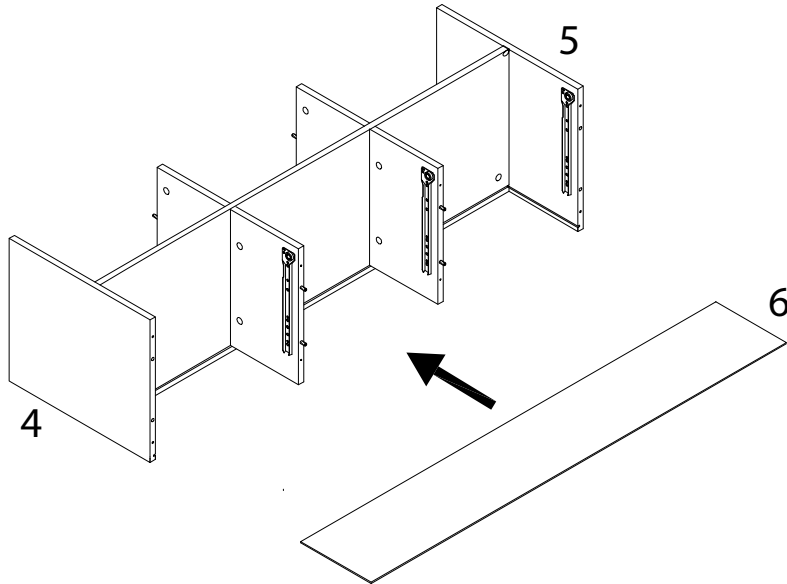
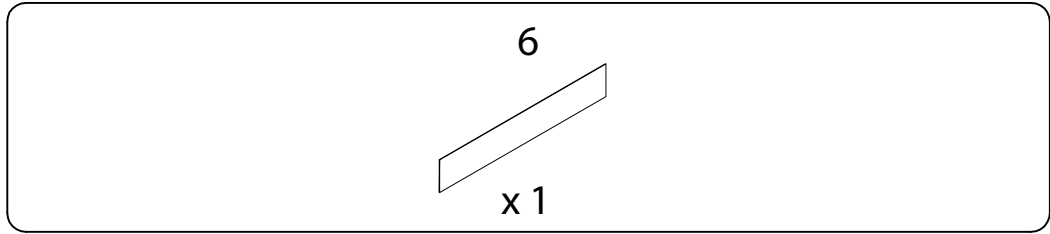
B



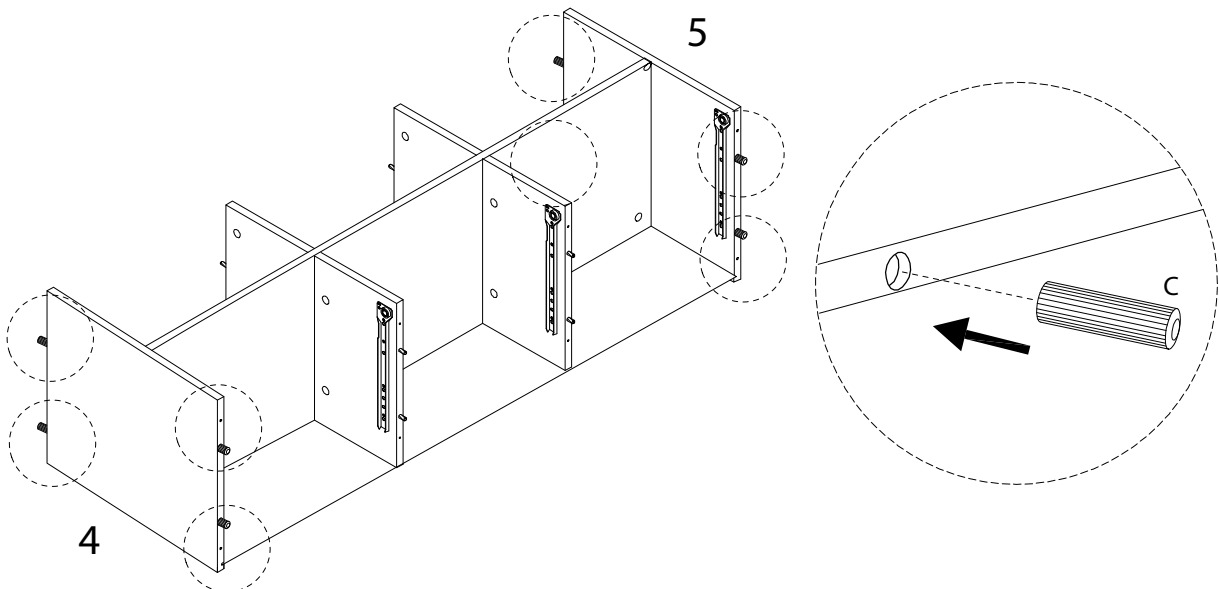
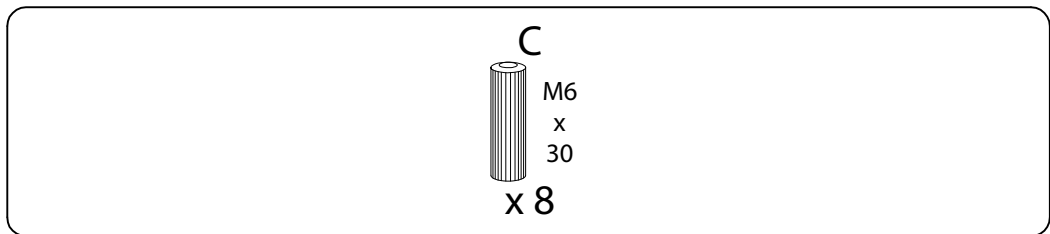
x 4



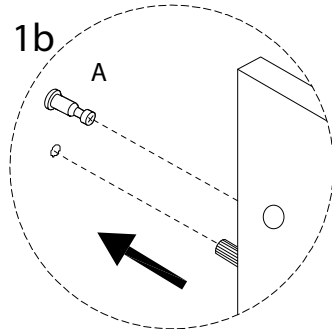
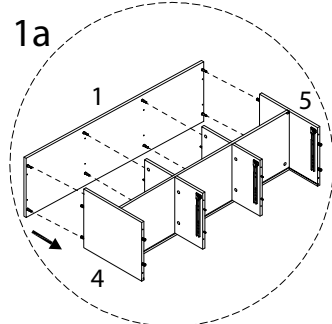
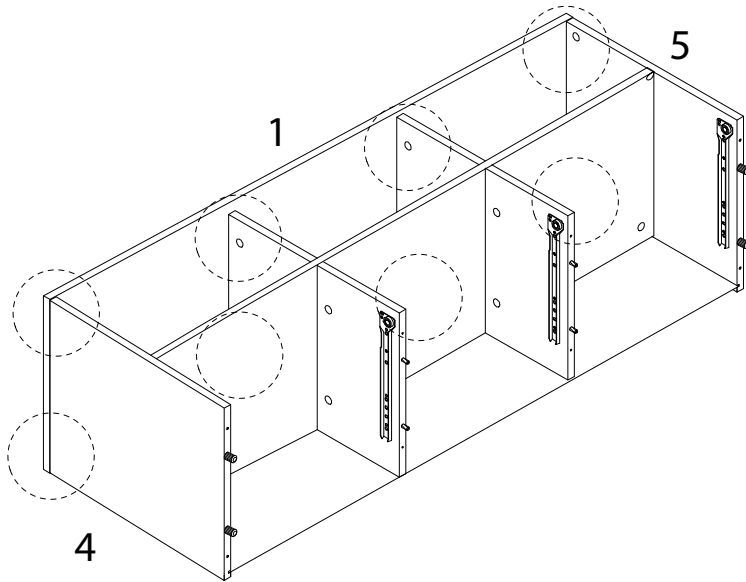
14



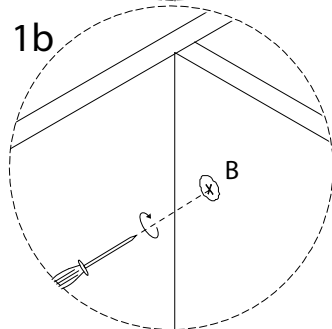
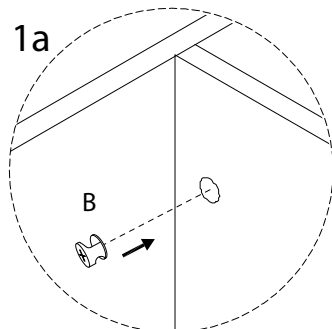
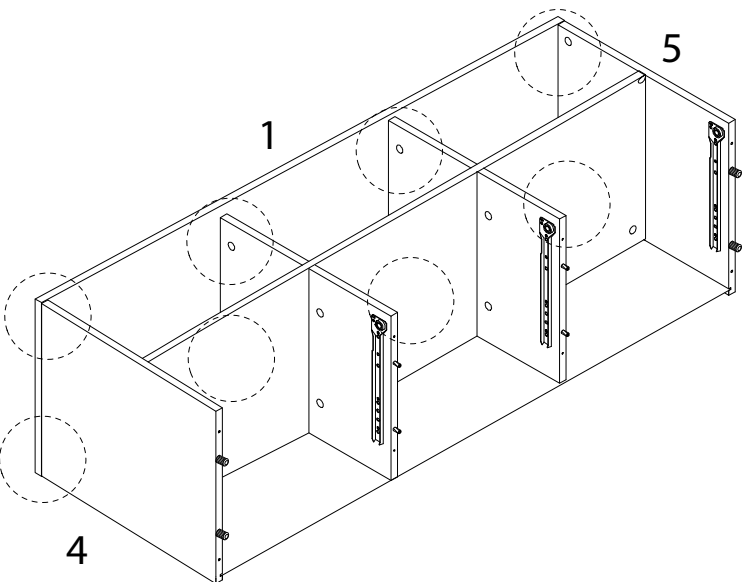
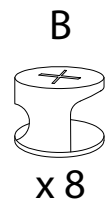
15



16



17

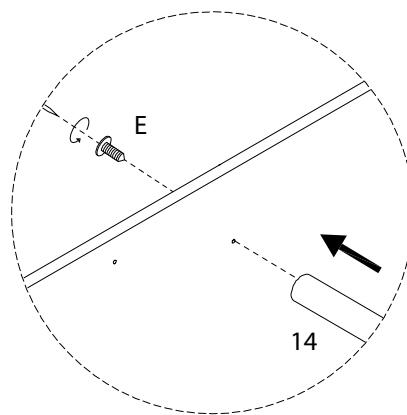
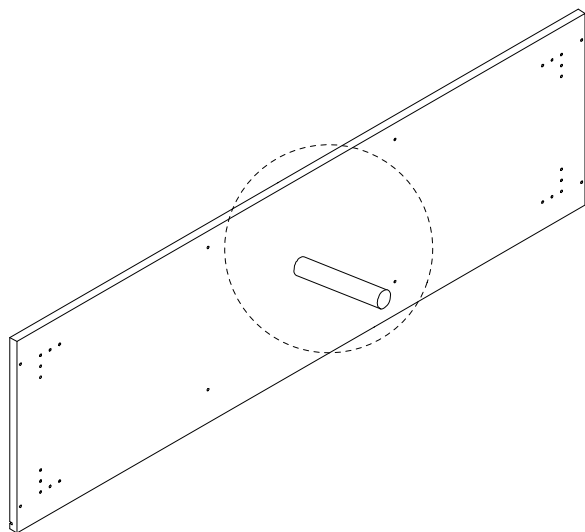


18

E
M4
x
40
x 1

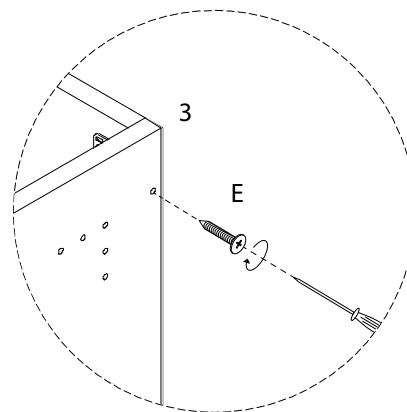
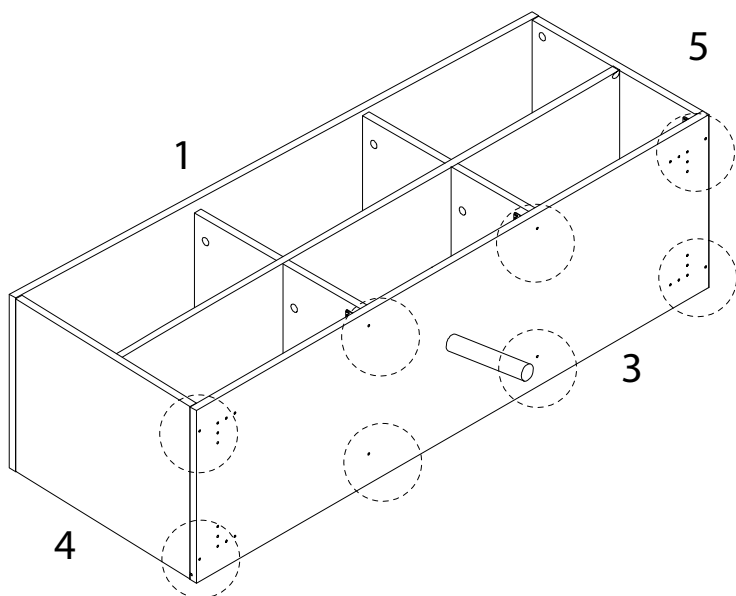
3
x 1

14
x 1



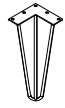
19

E
M4
x
40
x 8



20

15

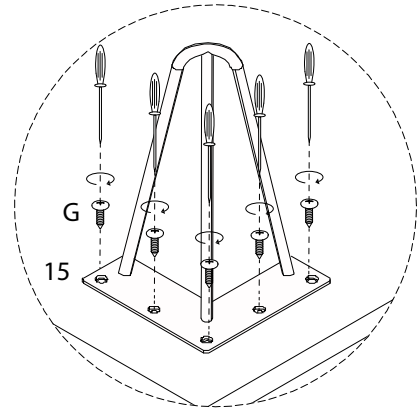
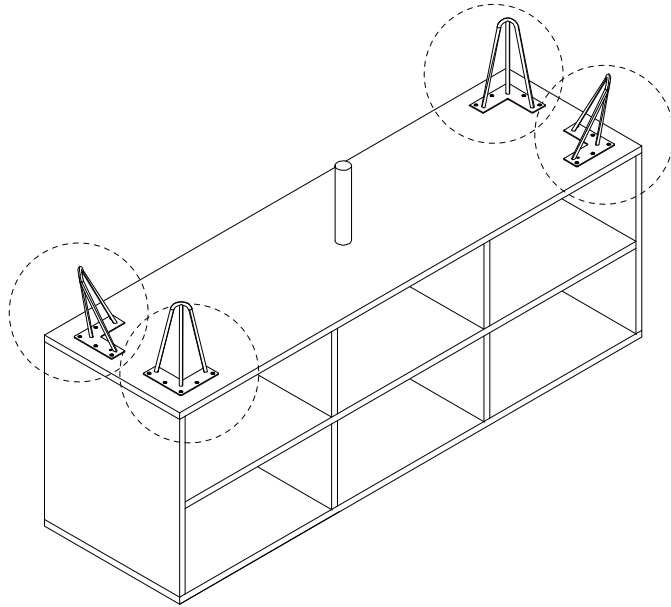


x 4

G

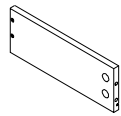


x 20



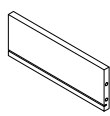
21 x 3

10



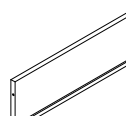
x 1

11



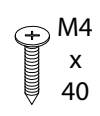
x 1

12

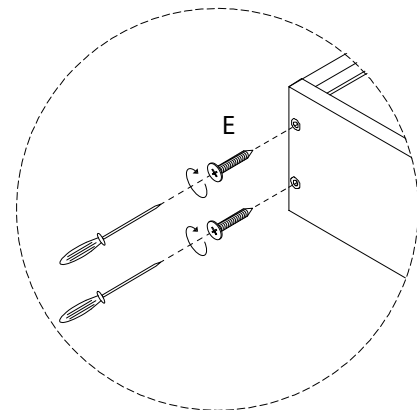
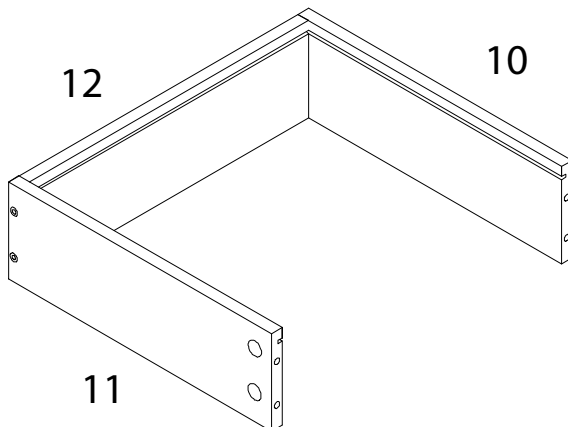


x 1

E

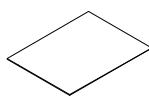


x 4

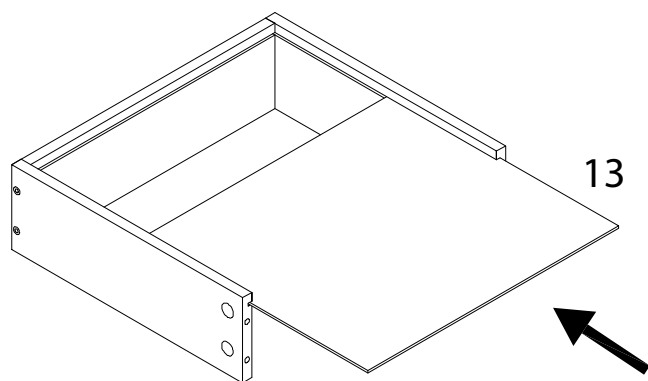


22 x 3

13

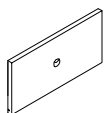


x 1



23 x 3

9

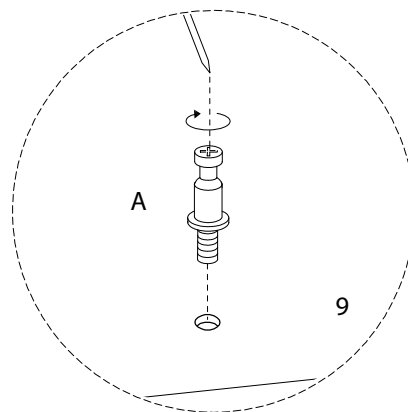
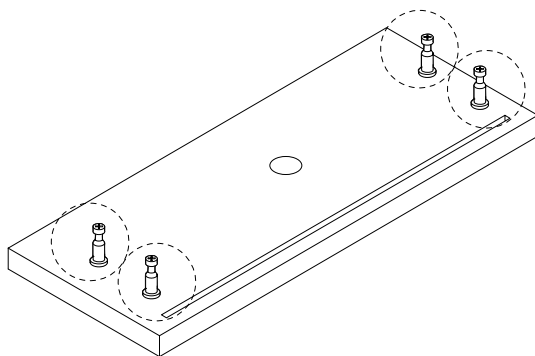


x 1

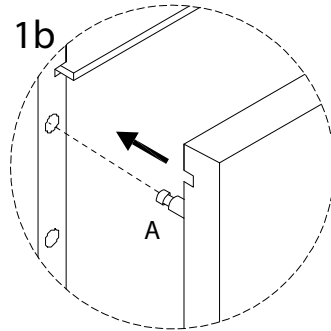
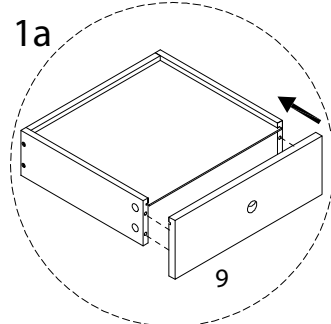
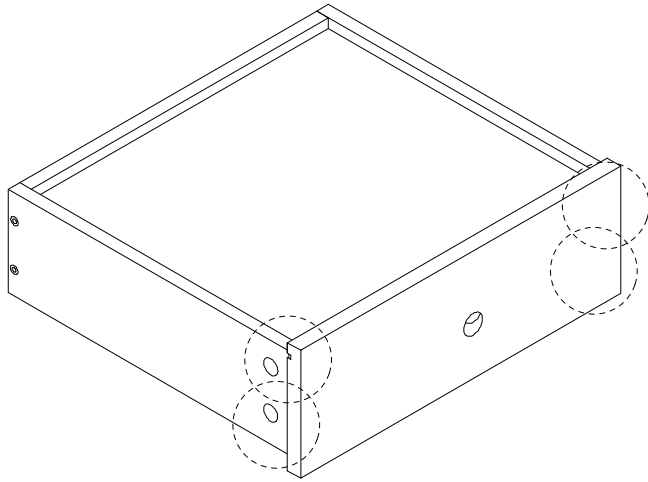
A



x 4

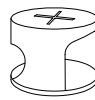


24 x 3

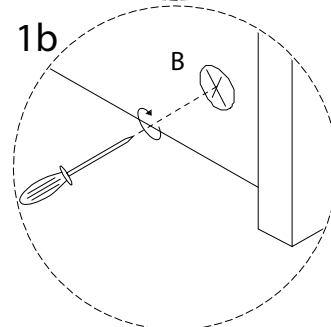
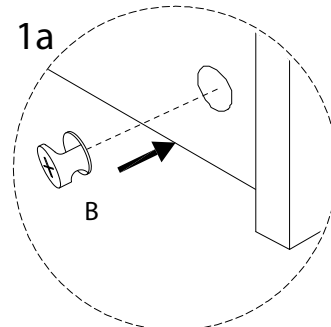
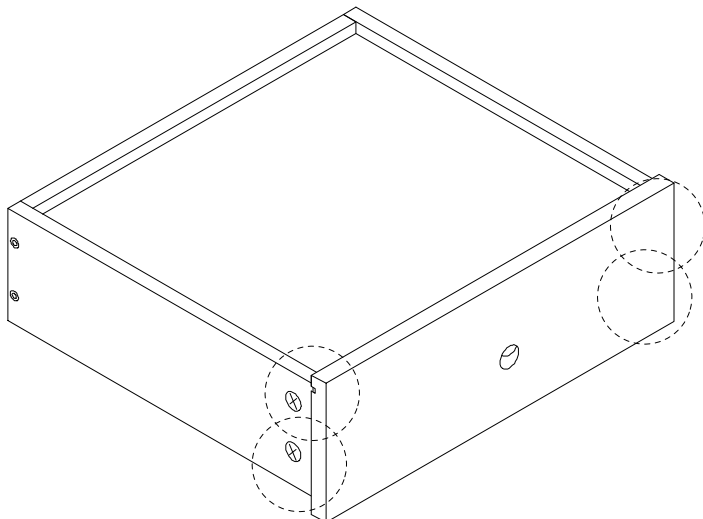


25 x 3

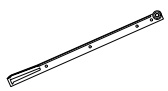


B

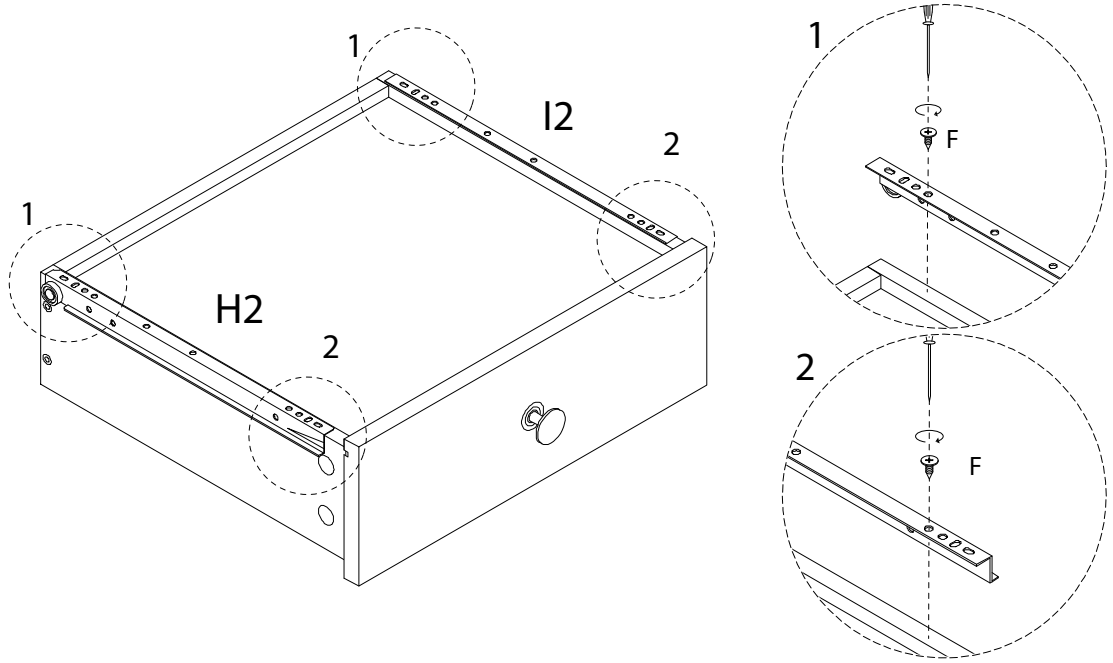


x 4



26 x 3

H2  x 1	I2  x 1	F  M3.5 x 12 x 4
------------------------------------------------------------------------------------------------	------------------------------------------------------------------------------------------------	--------------------------------------------------------------------------------------------------------------------



27

