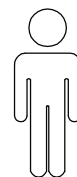
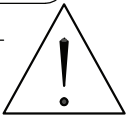
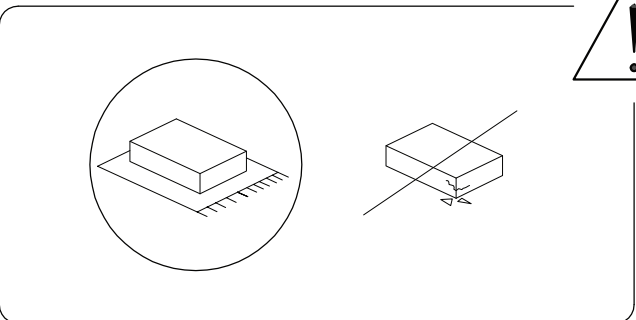
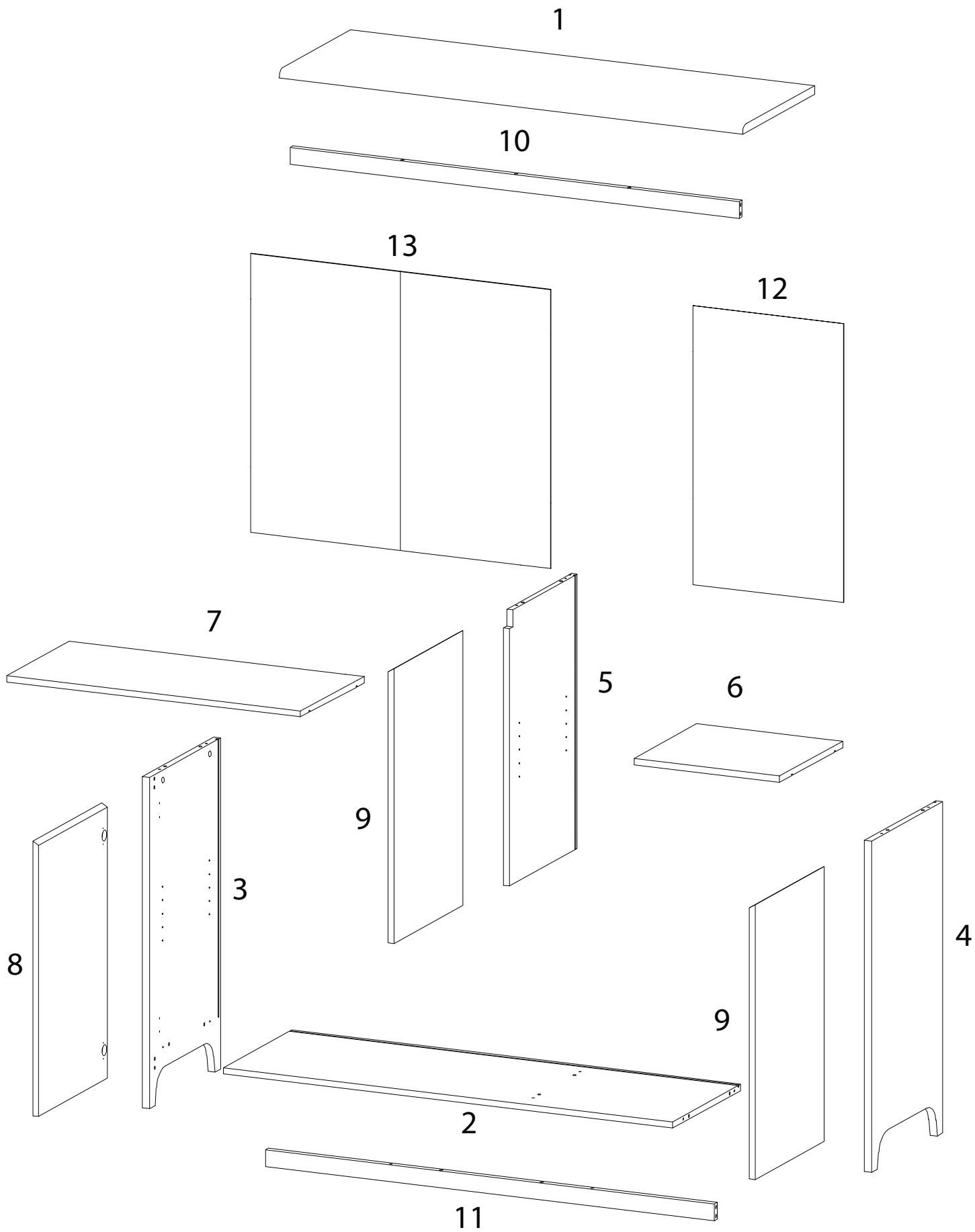


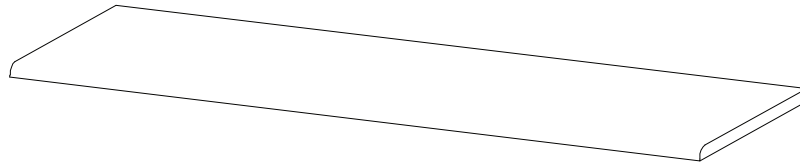
70'



2

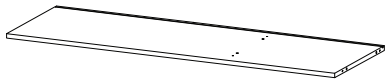


1



x 1

2



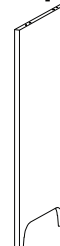
x 1

3



x 1

4



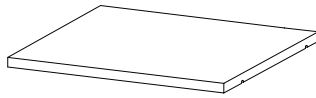
x 1

5



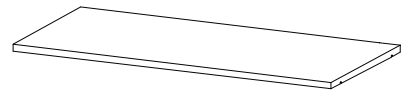
x 1

6



x 1

7



x 1

8



x 1

9



x 2

10



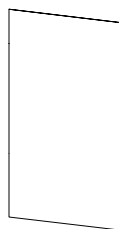
x 1

11



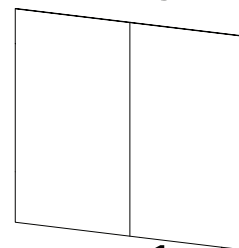
x 1

12



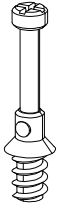
x 1

13



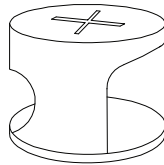
x 1

A



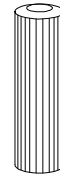
x 12

B



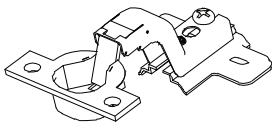
x 12

C



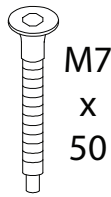
x 25

D



x 4

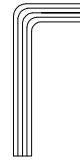
E



M7  
x  
50

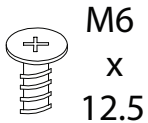
x 2

F



x 1

G



M6  
x  
12.5

x 14

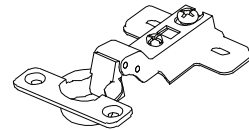
H



M4.5  
x  
12.5

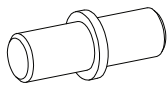
x 24

I



x 2

J



x 8

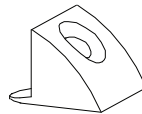
K



M3.5  
x  
15.5

x 16

L



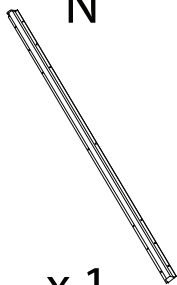
x 14

M



x 6

N



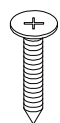
x 1

O



x 2

P



M3.5  
x  
32

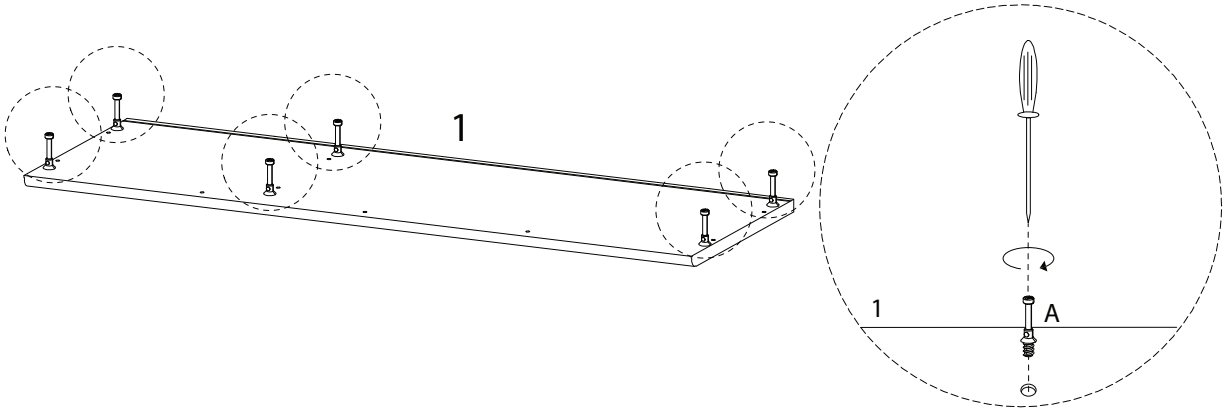
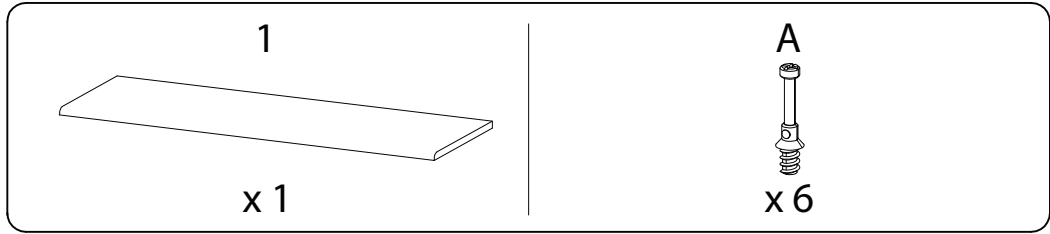
x 2

Q

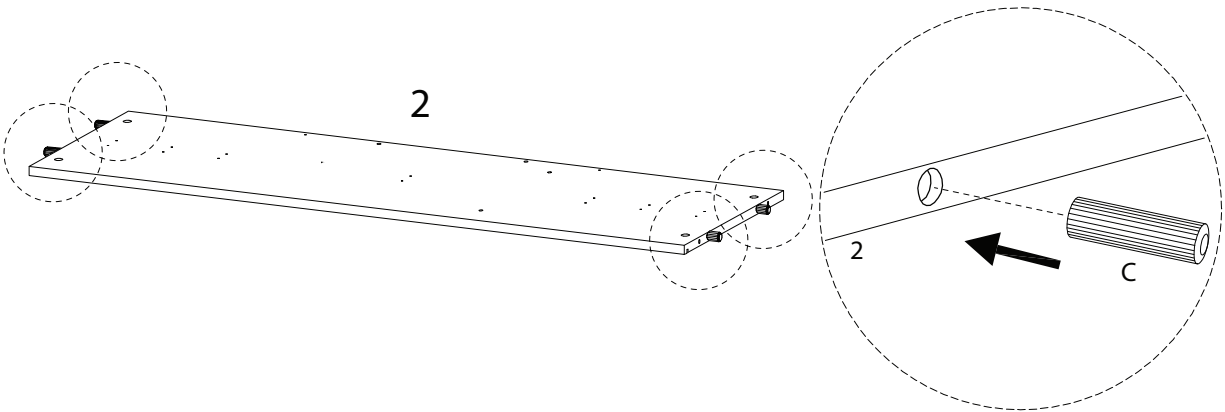
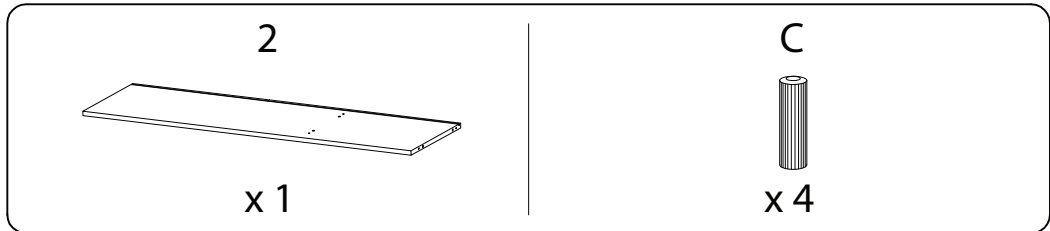


x 2

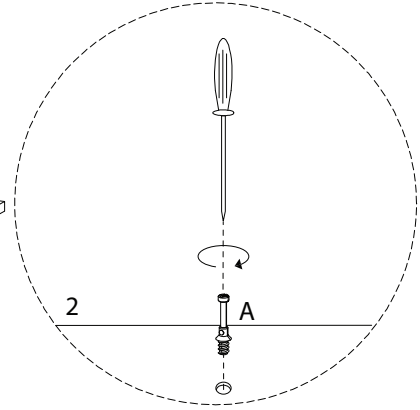
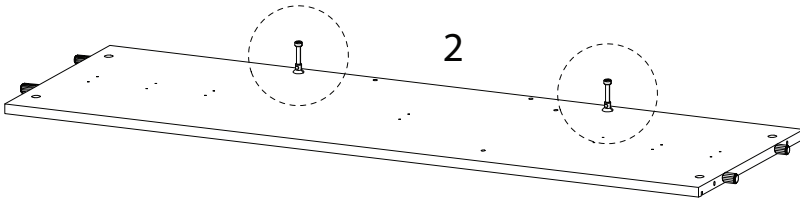
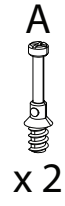
1



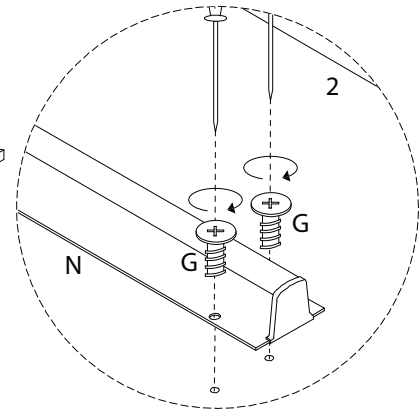
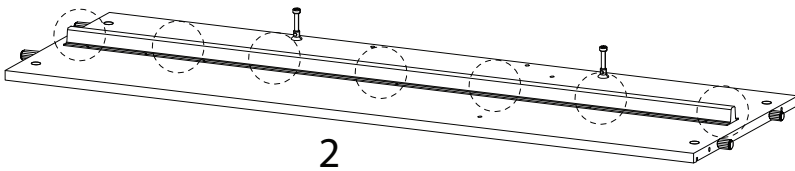
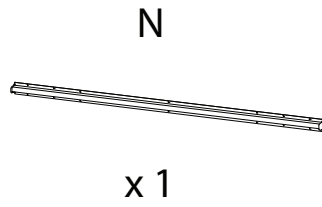
2



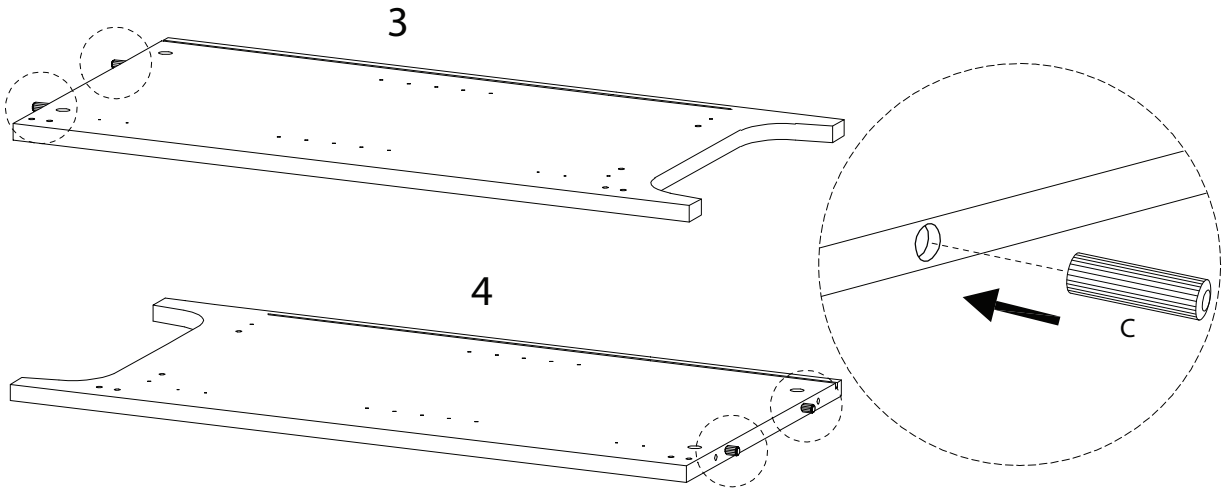
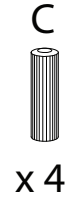
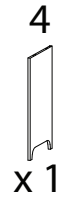
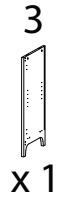
3



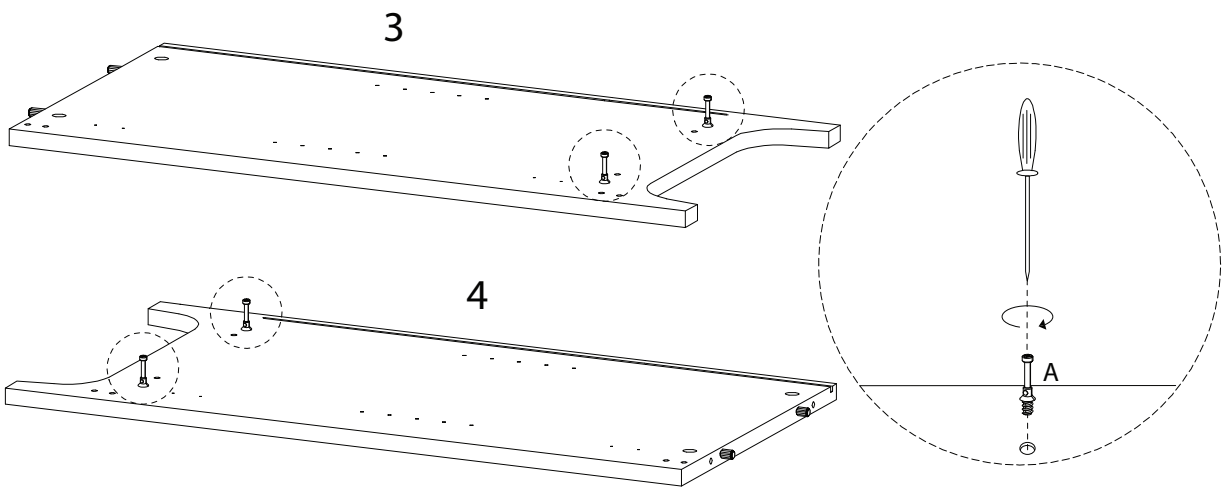
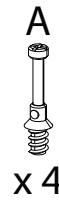
4



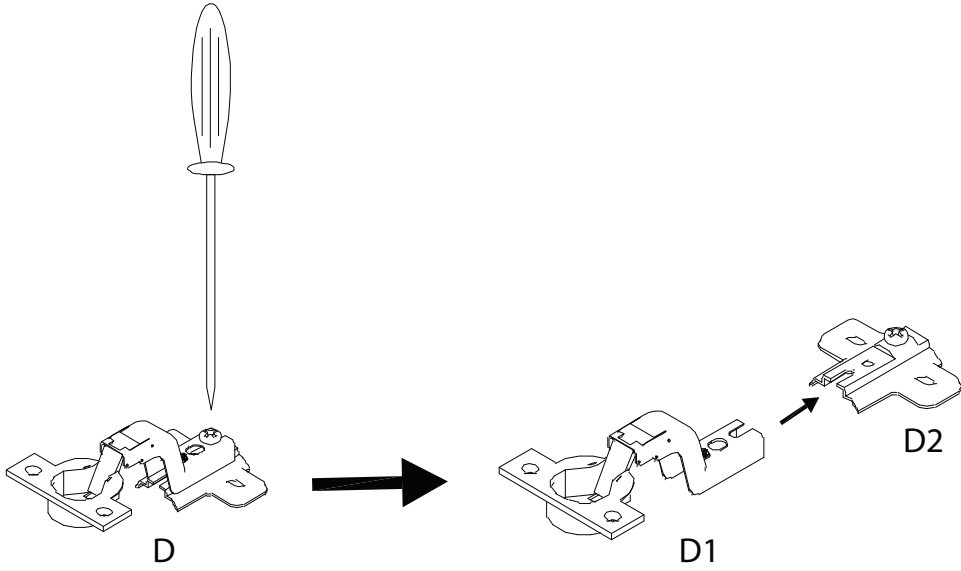
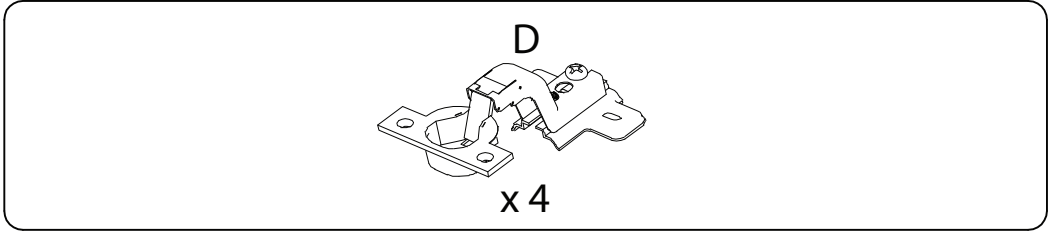
5



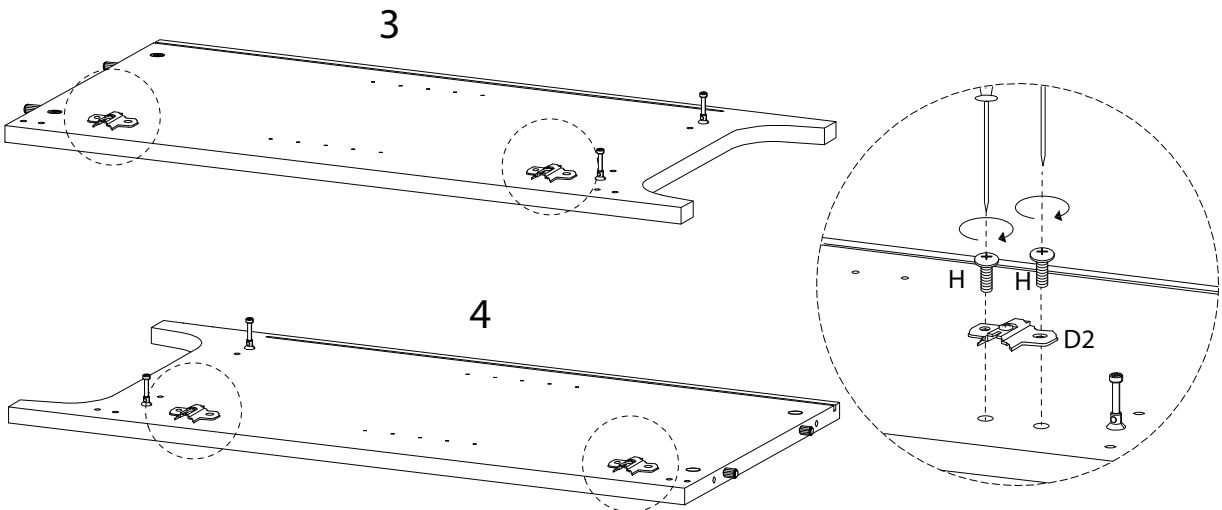
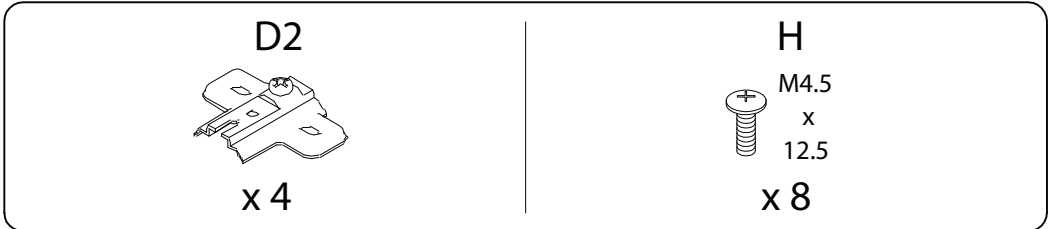
6



7

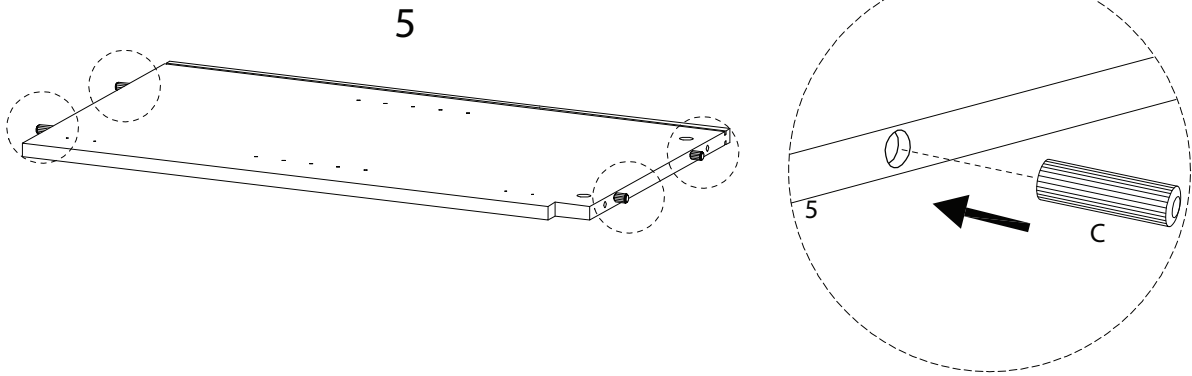
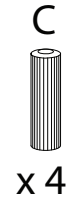
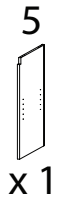


8

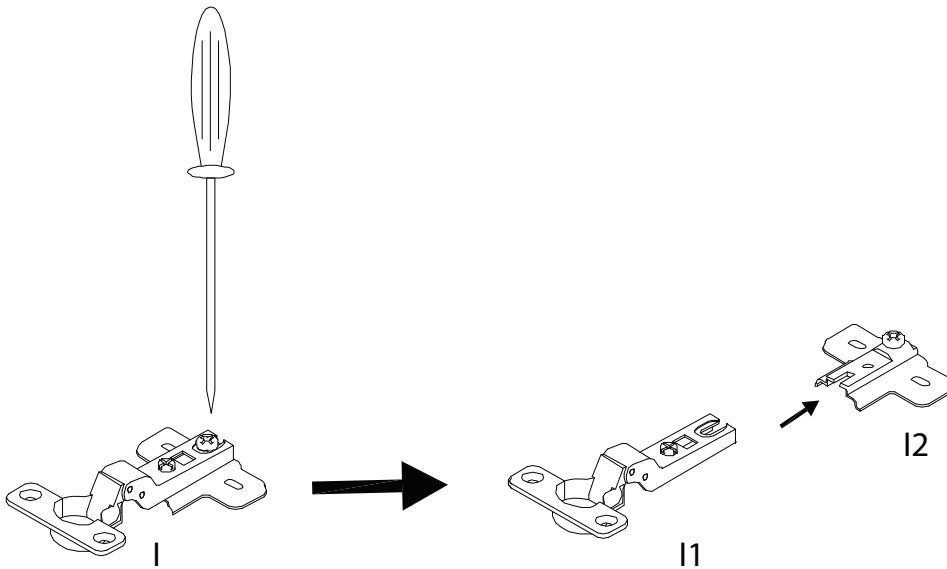
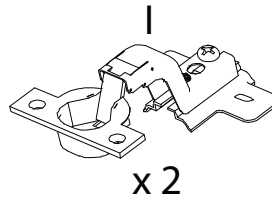




9

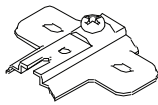


10



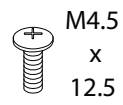
11

I2

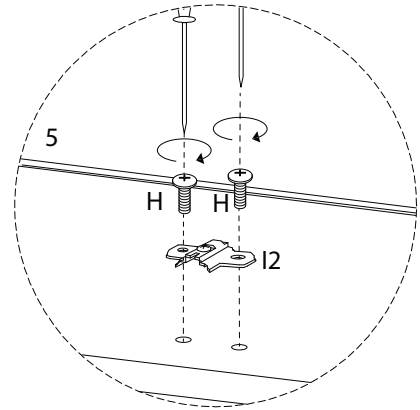
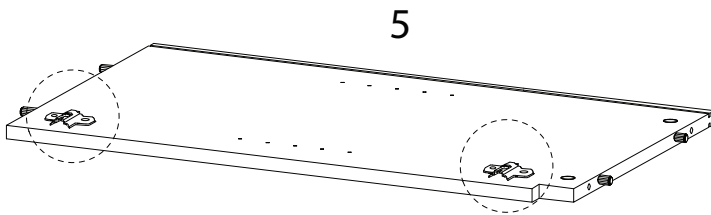


x 2

H



x 4



12

10

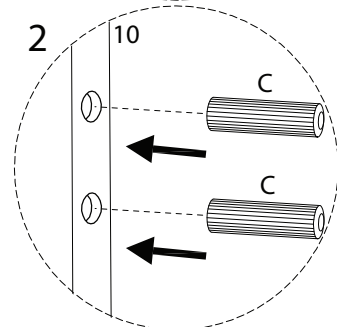
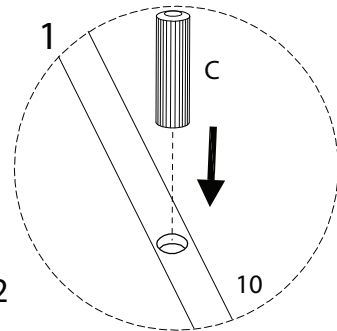
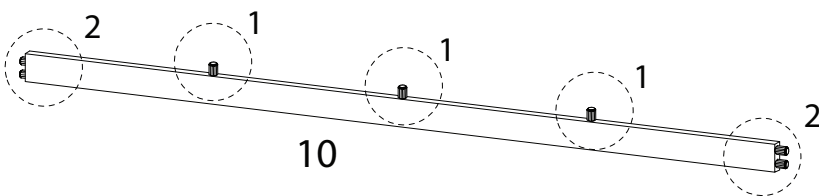


x 1

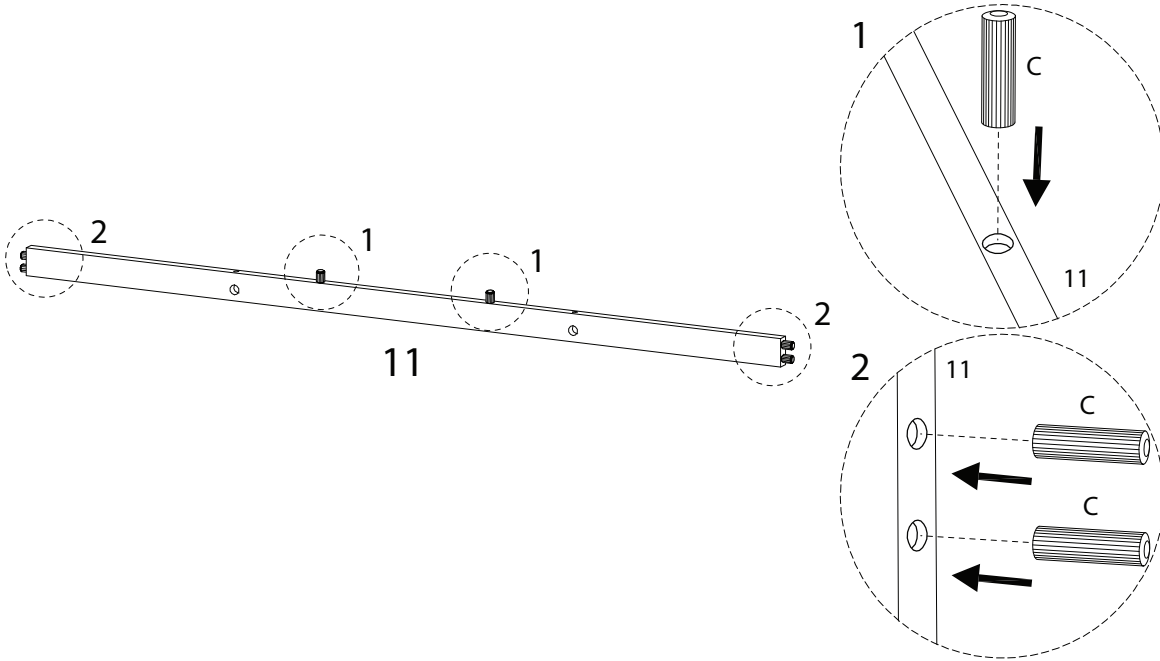
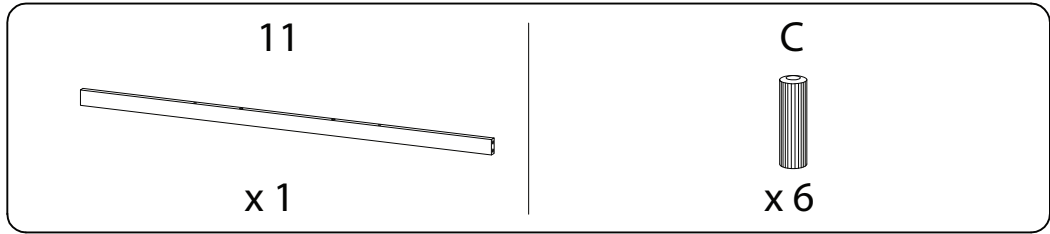
C



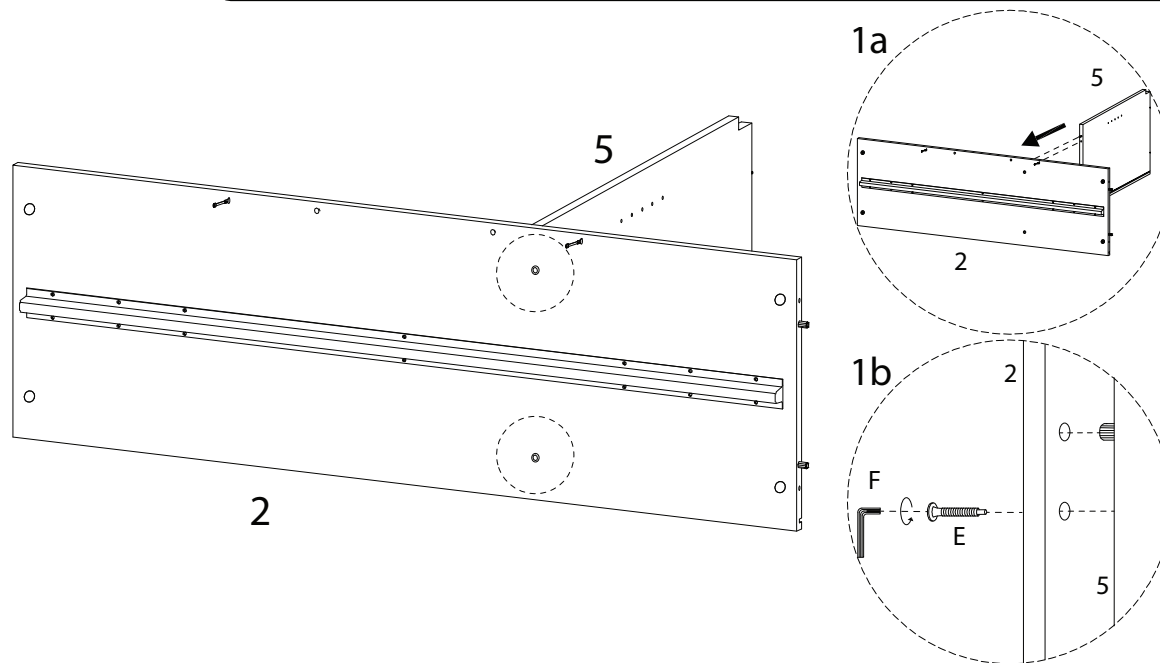
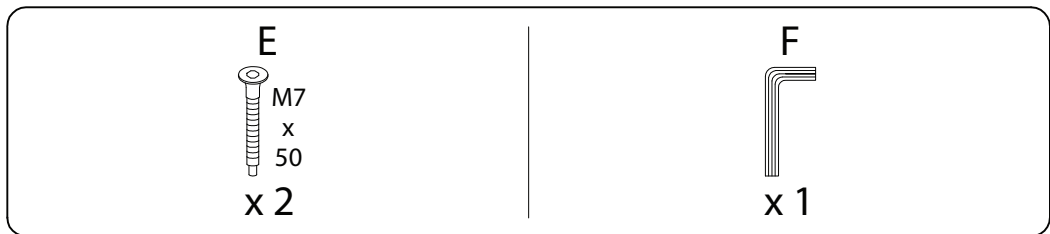
x 7



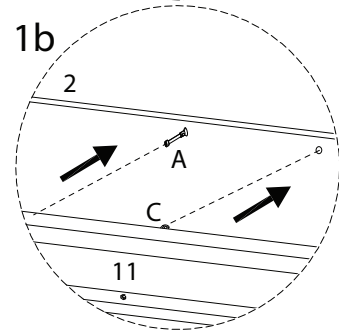
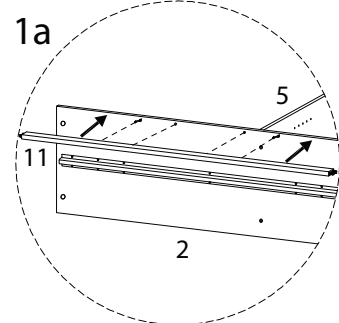
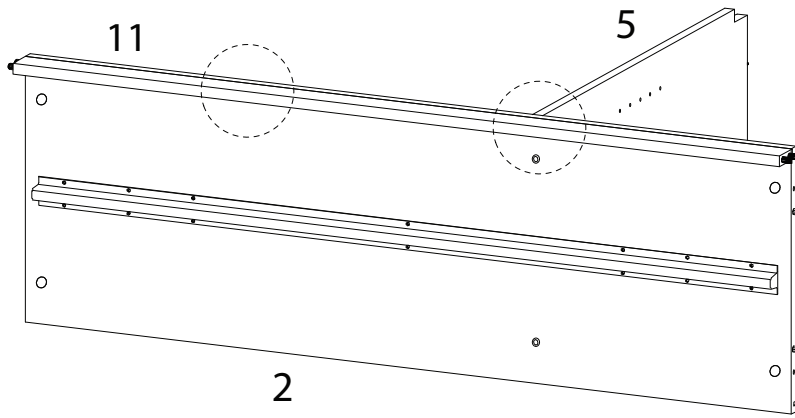
13



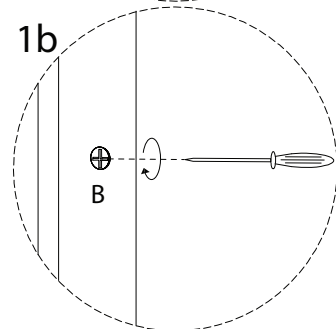
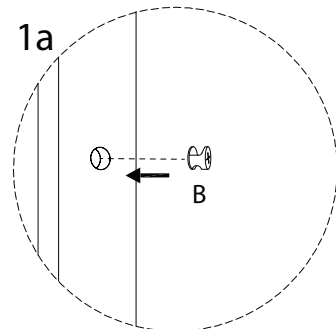
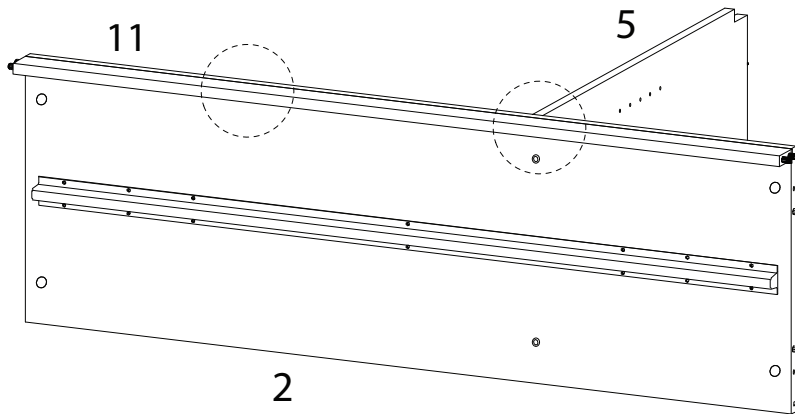
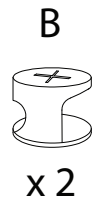
14



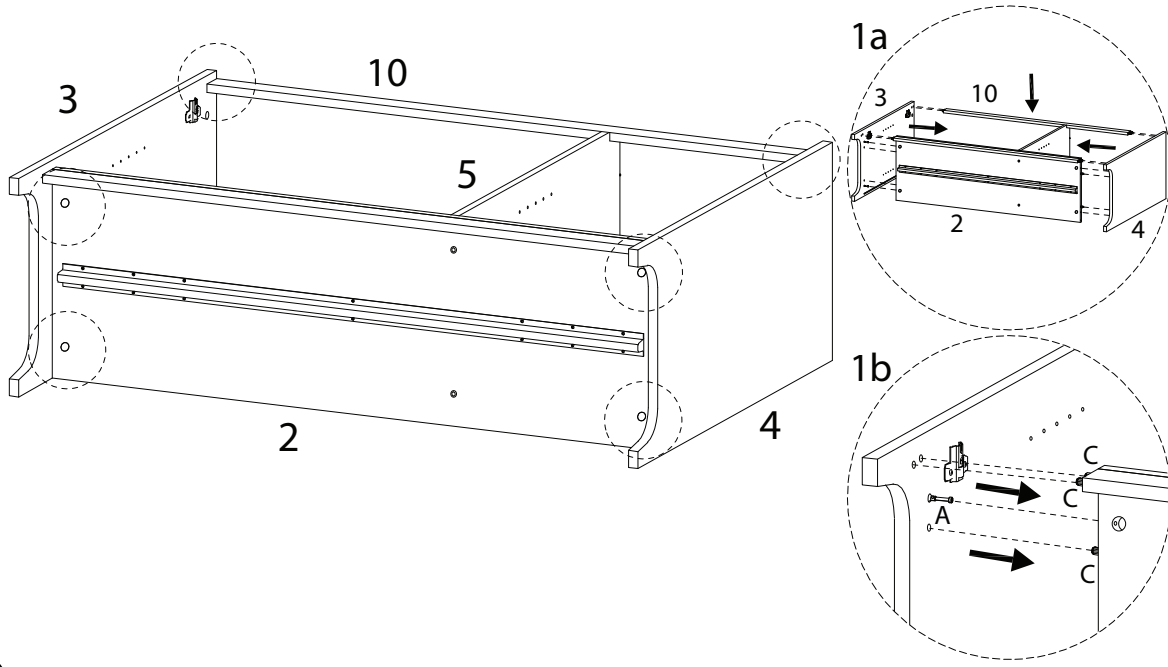
15



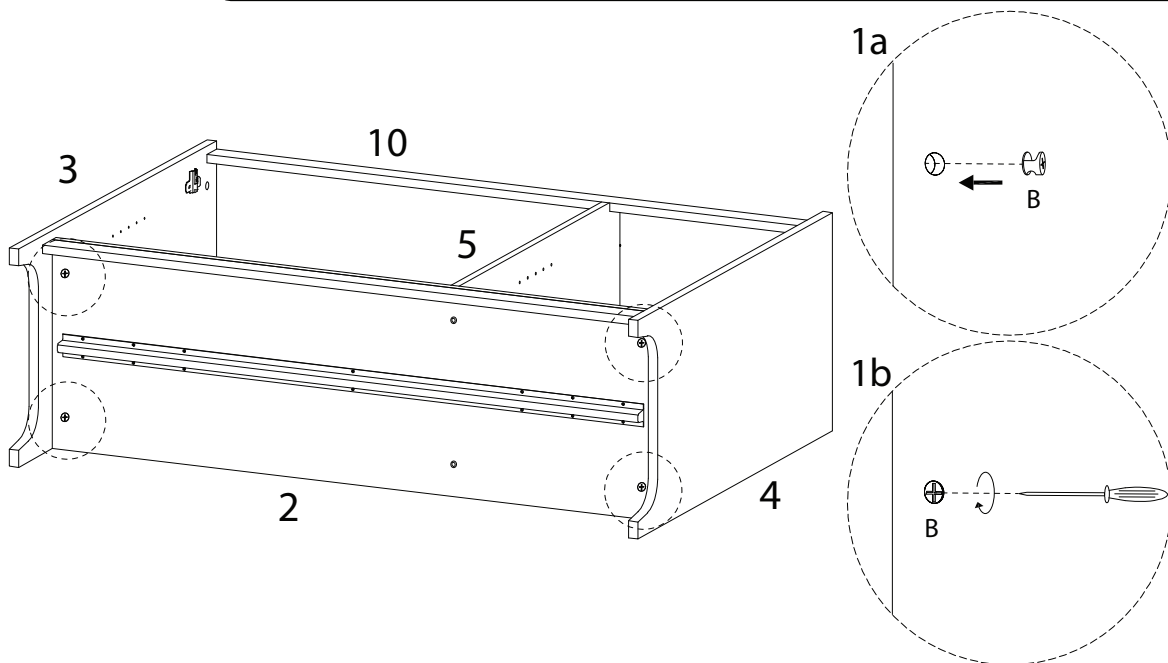
16

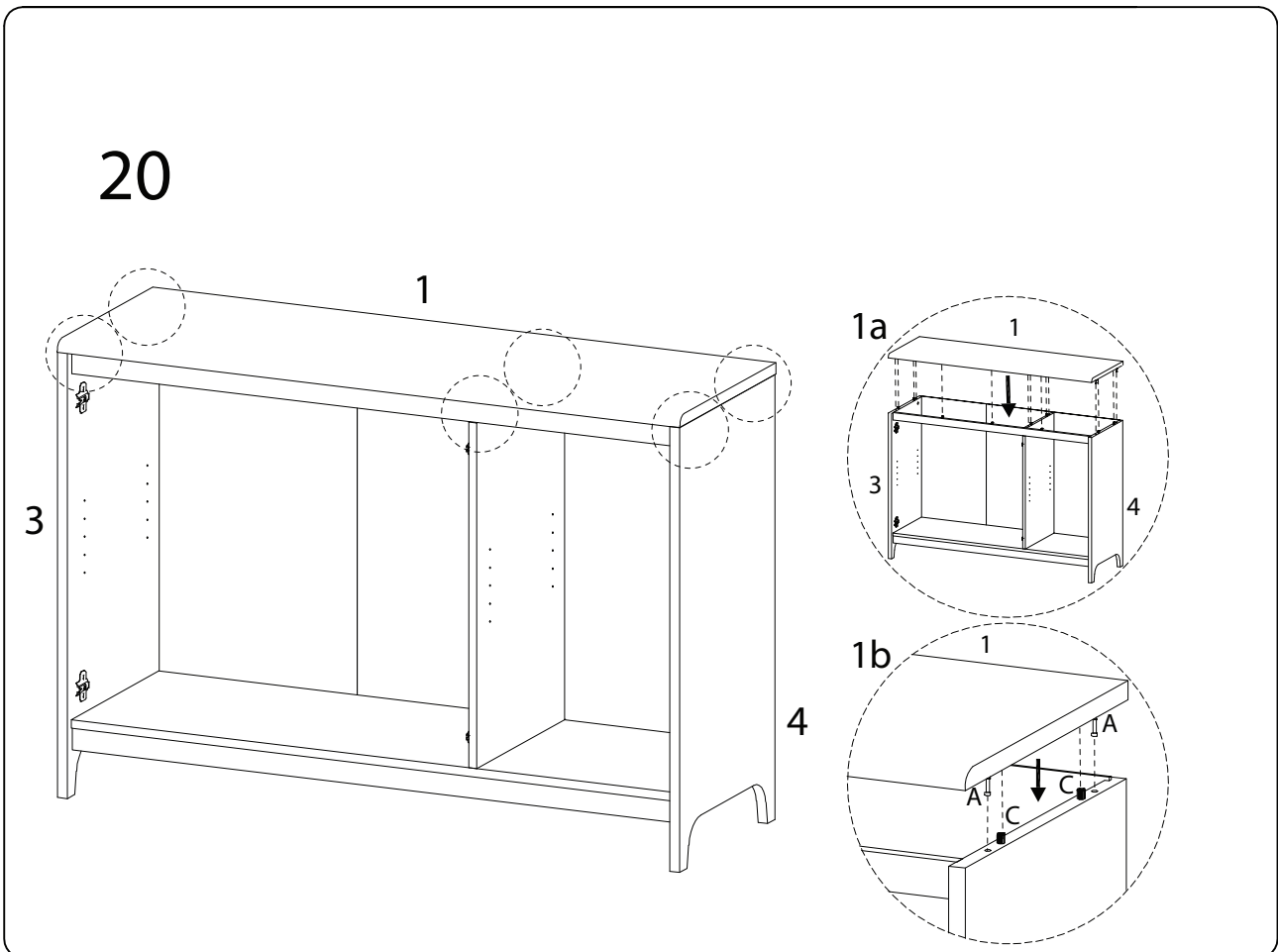
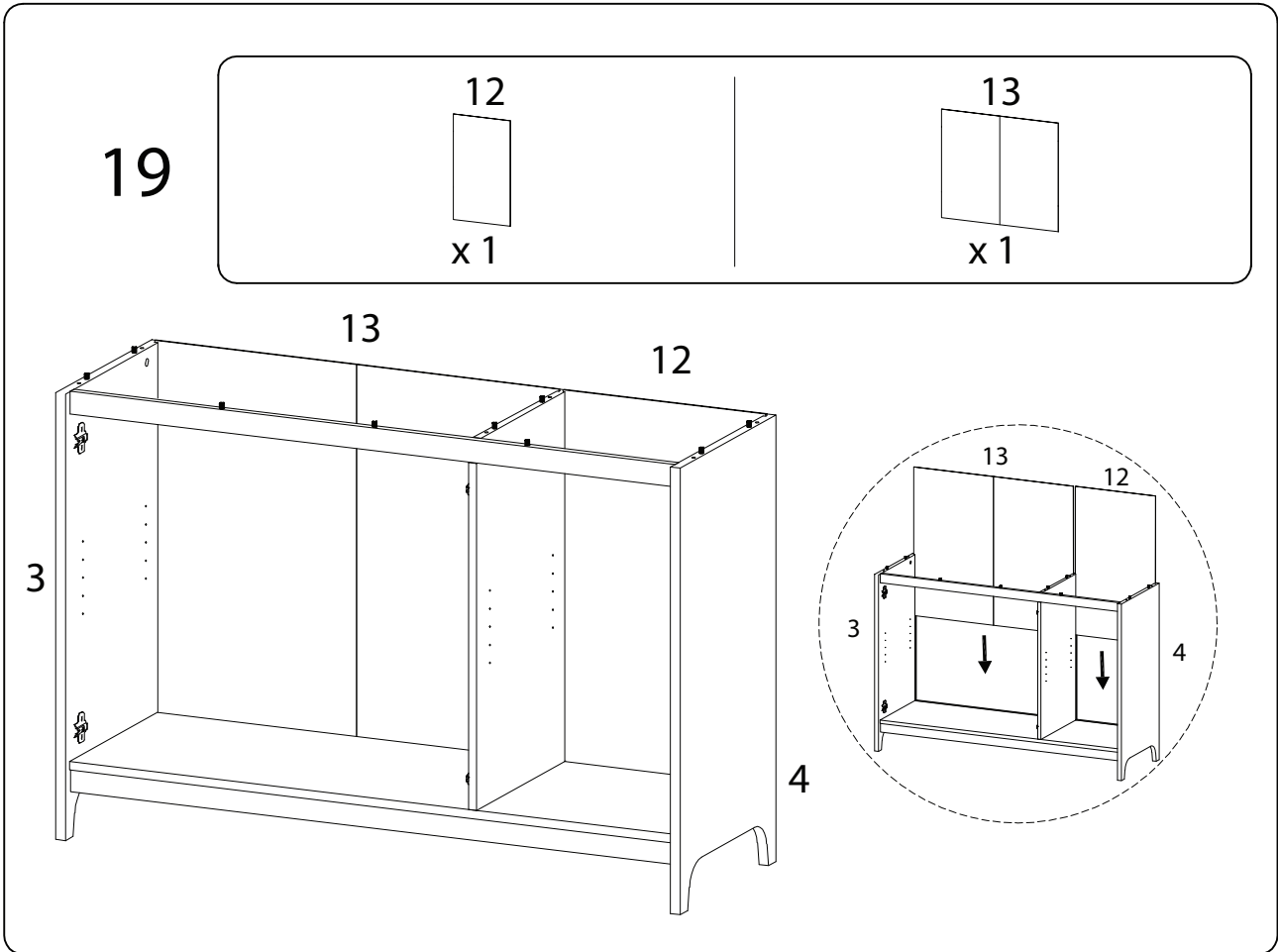


17



18



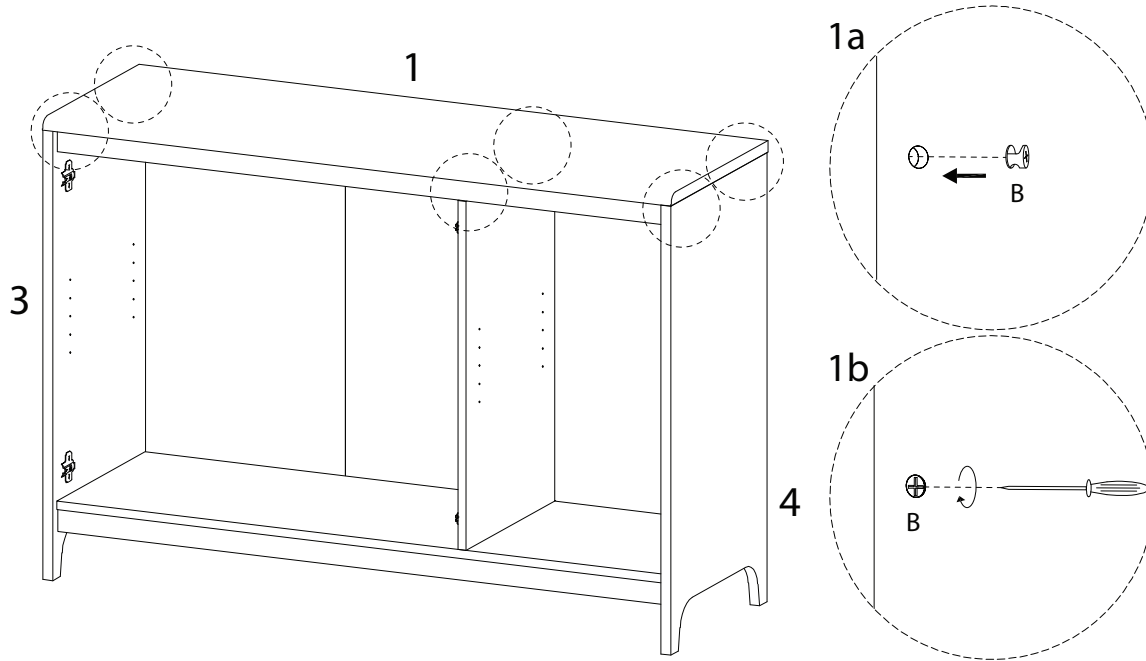


21

B

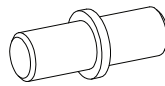


x 6

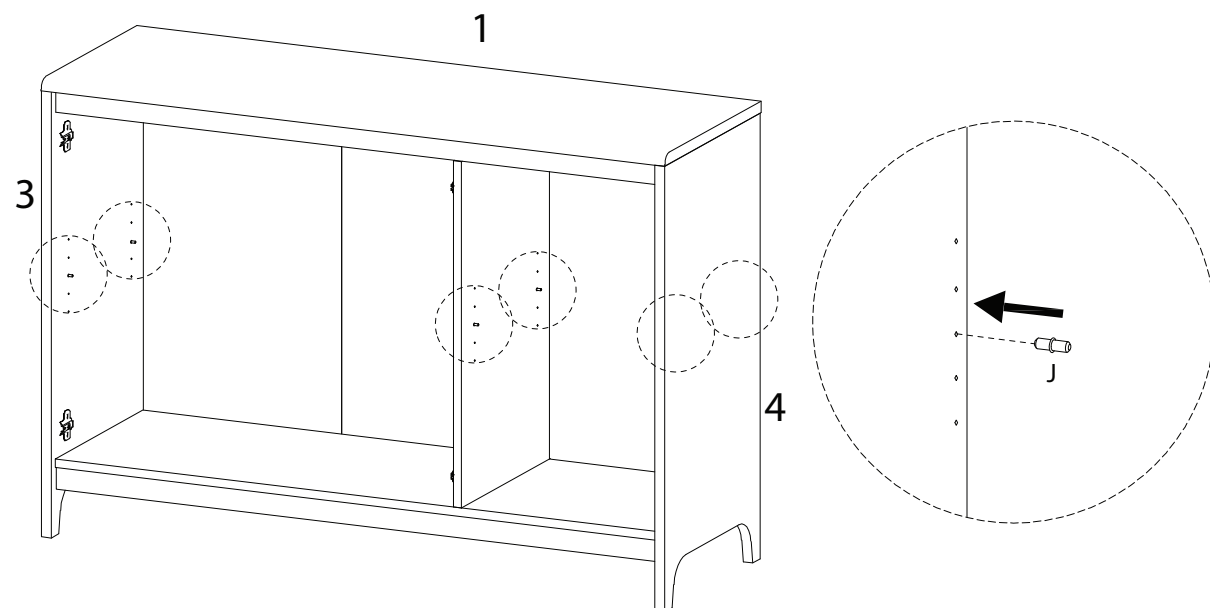


22

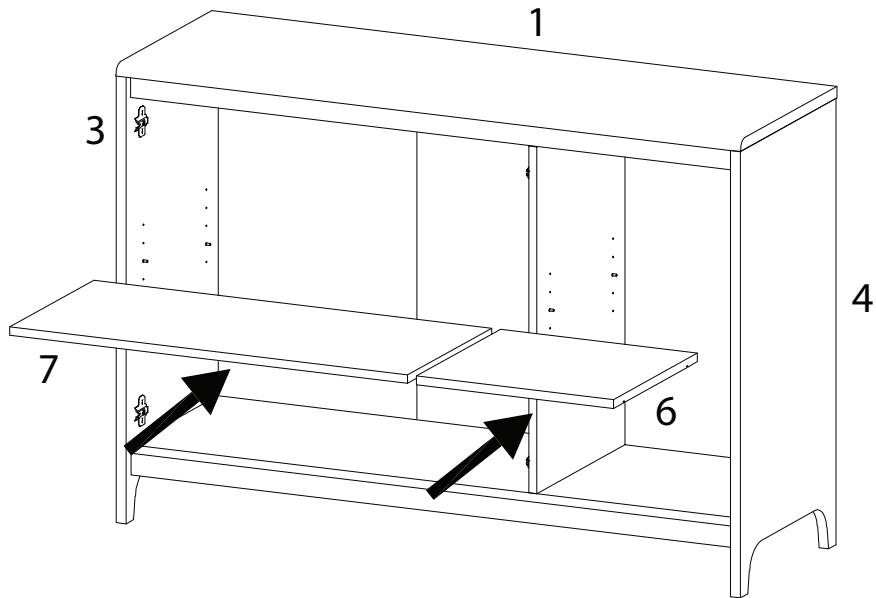
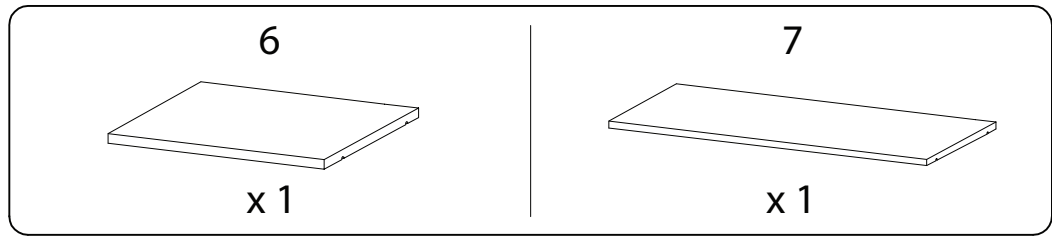
J



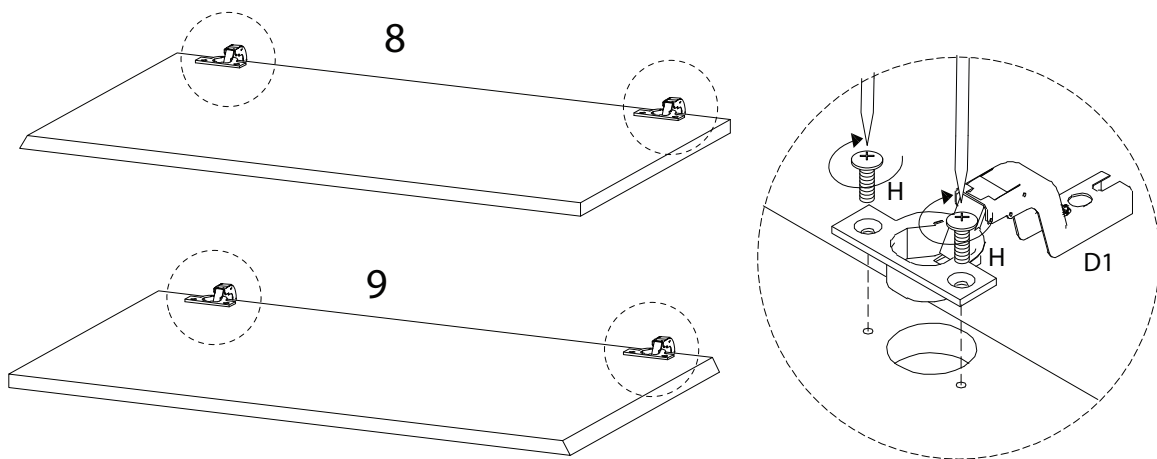
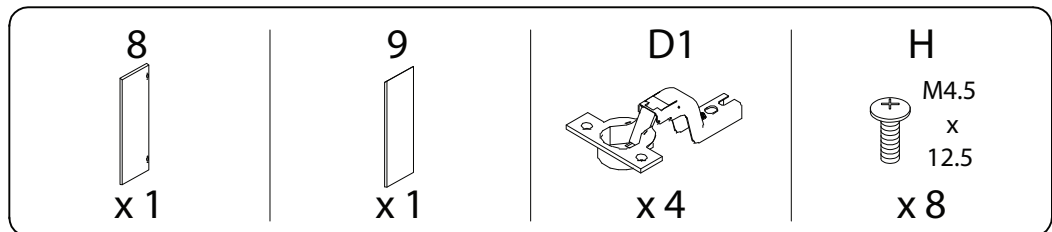
x 8



23



24



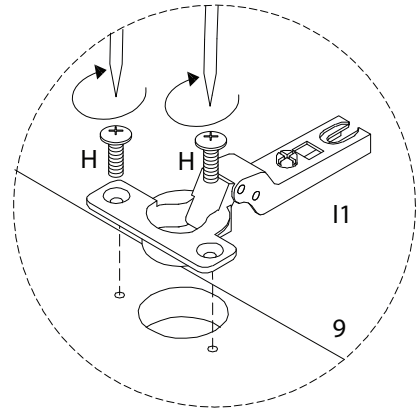
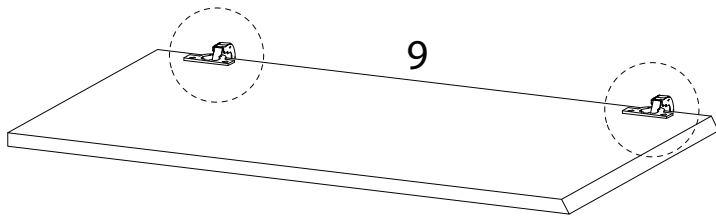


25

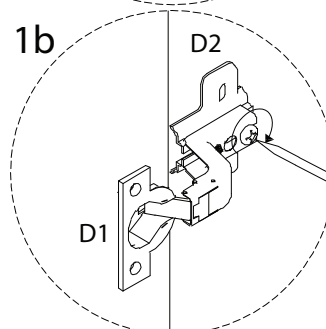
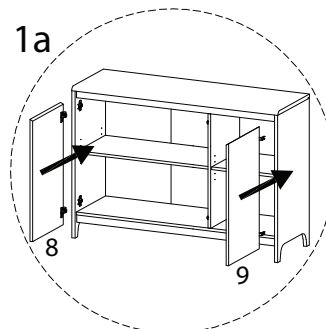
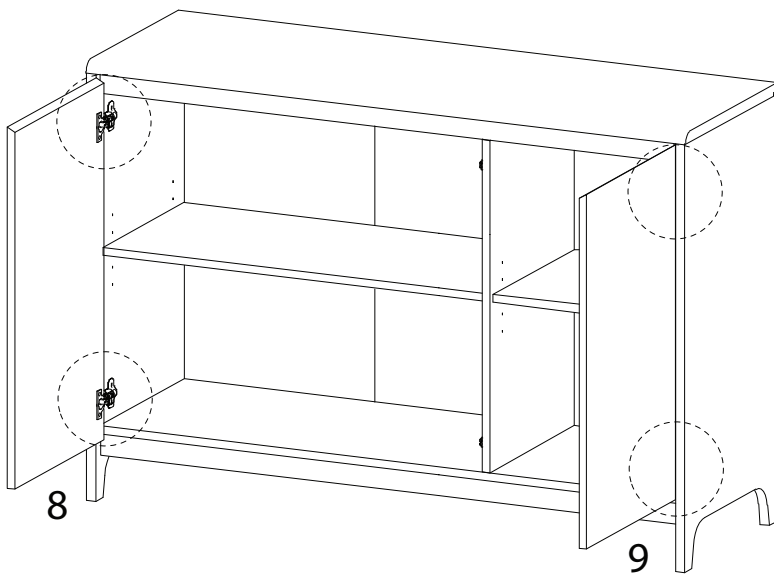
9  
x 1

H  
M4.5  
x  
12.5  
x 4

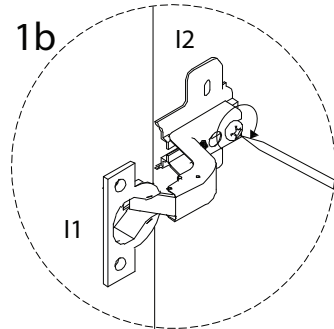
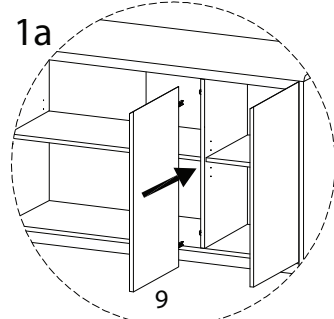
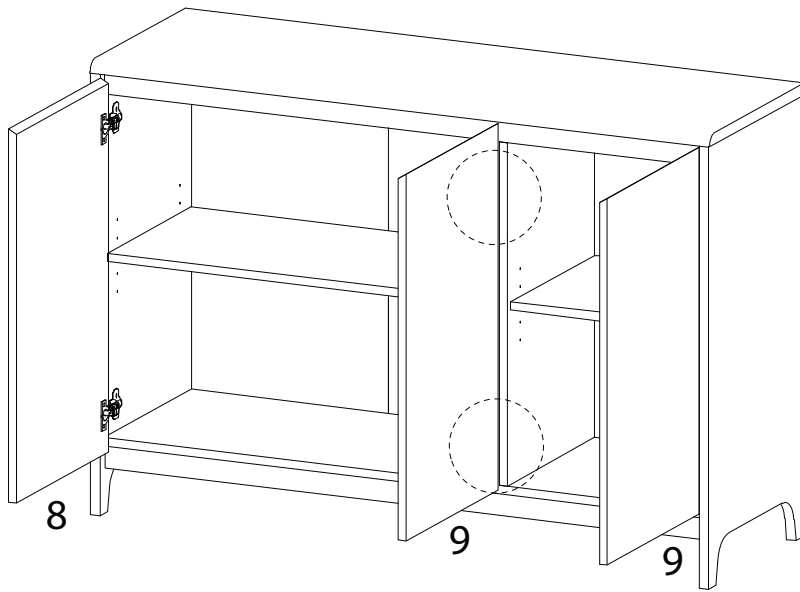
I1  
x 2



26



27

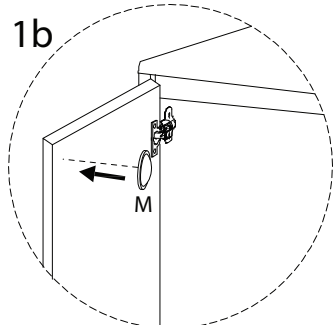
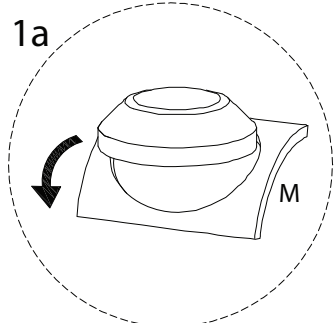
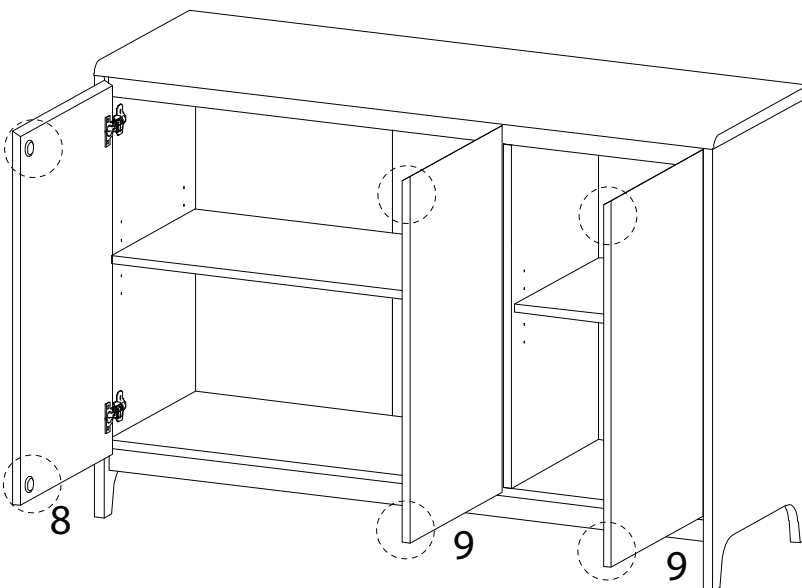


28

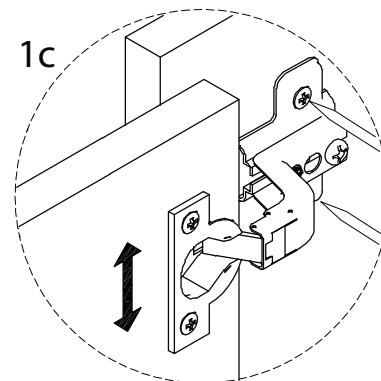
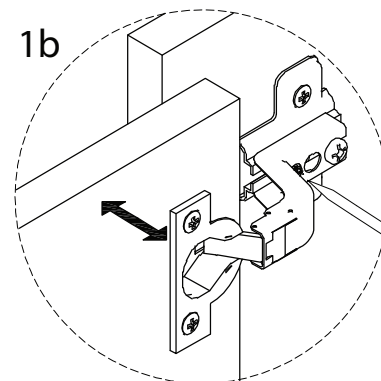
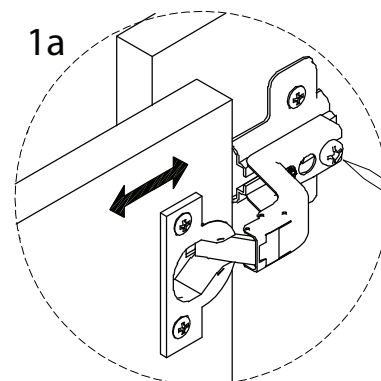
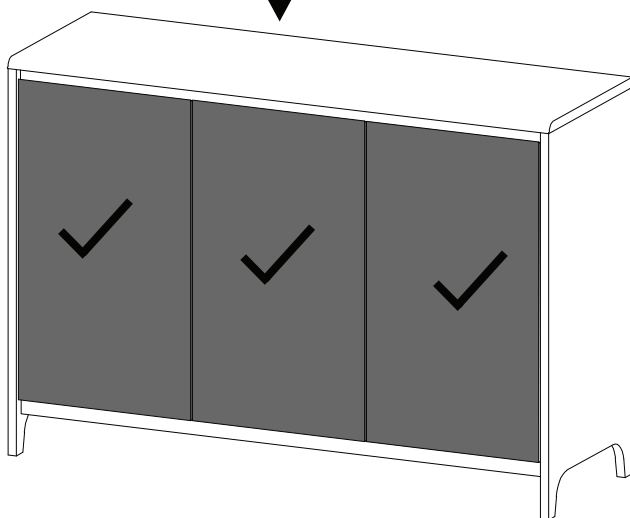
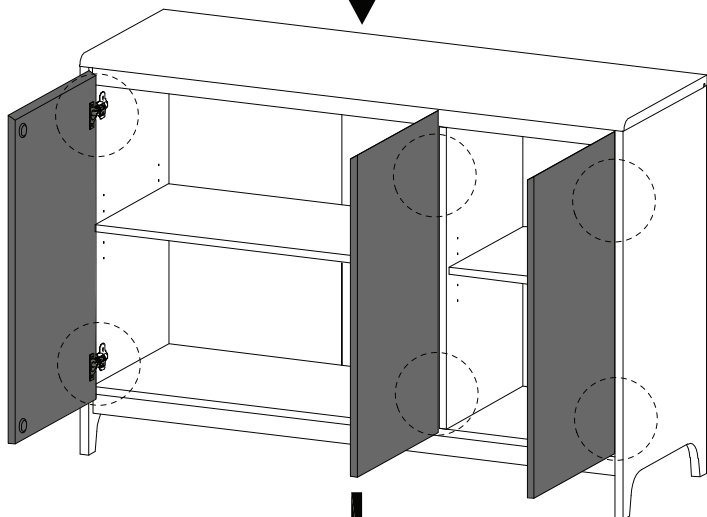
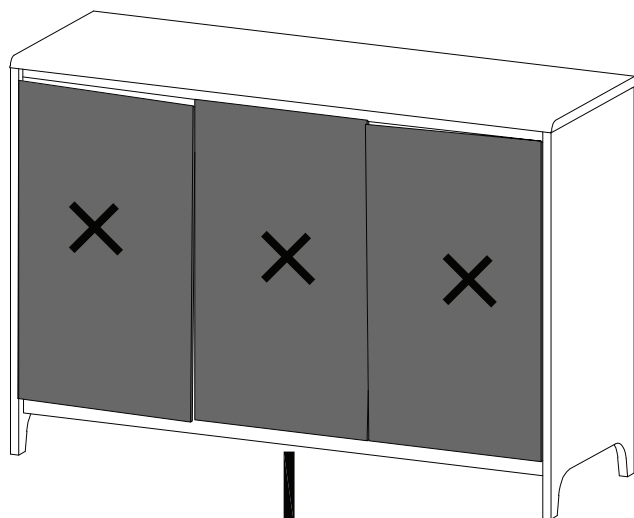
M



x 6

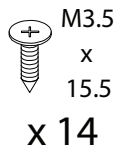


29

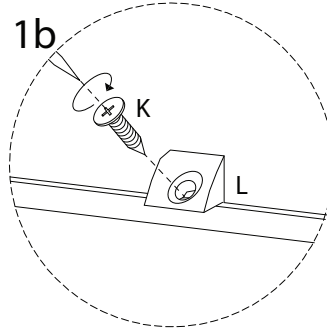
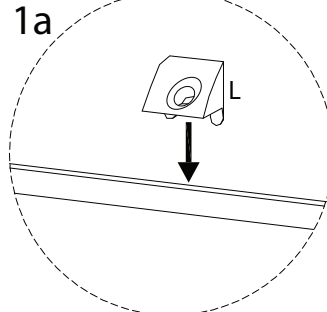
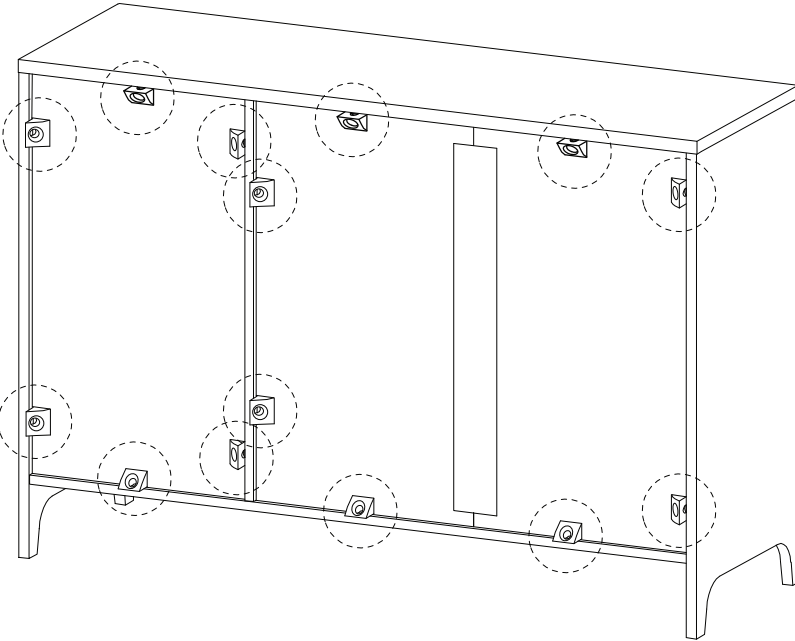
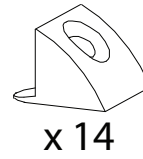


30

K

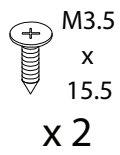


L

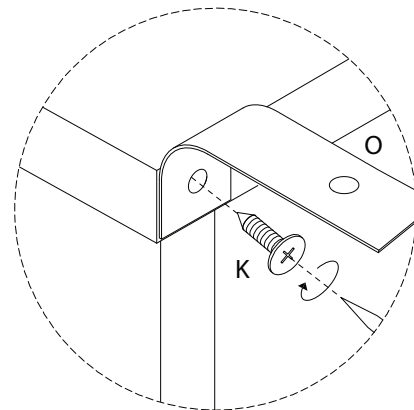
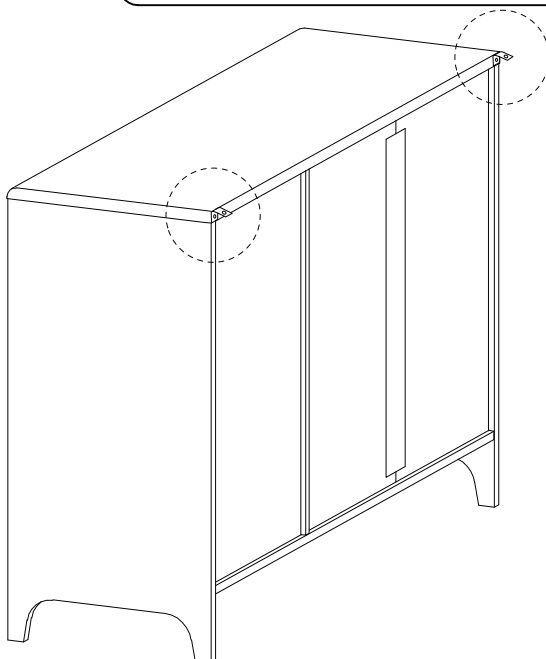
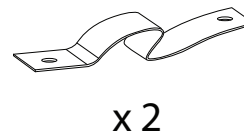


31

K

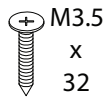


O



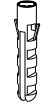
32

P

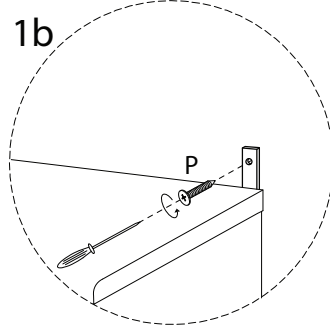
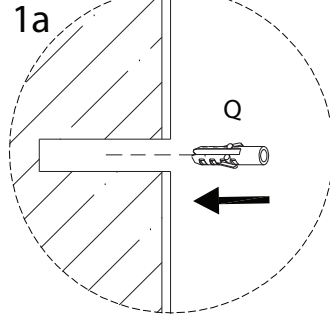
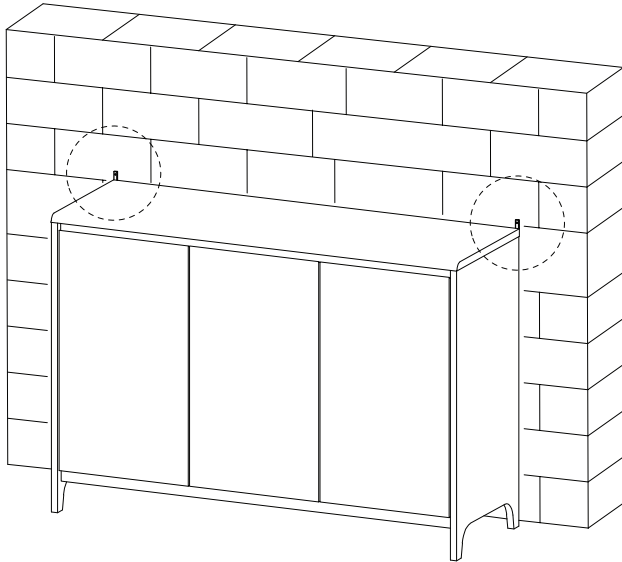


x 2

Q



x 2



!

