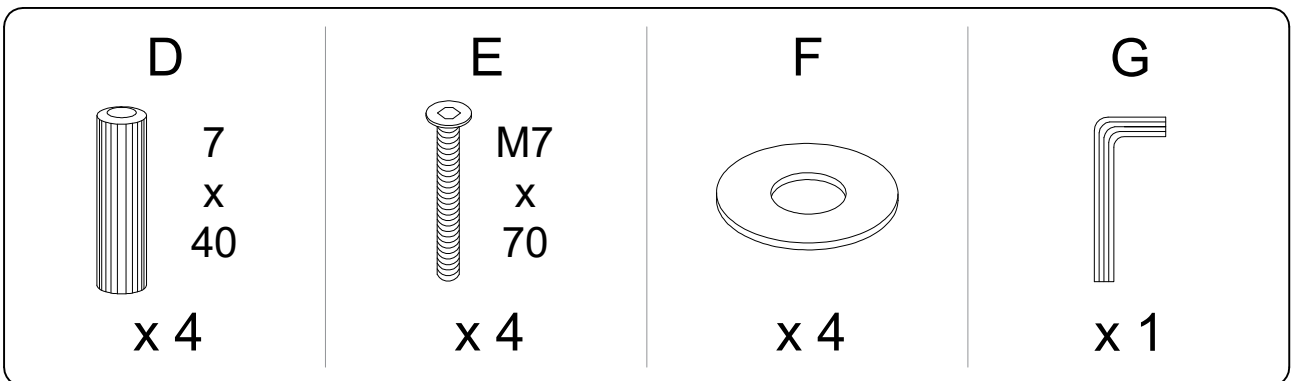
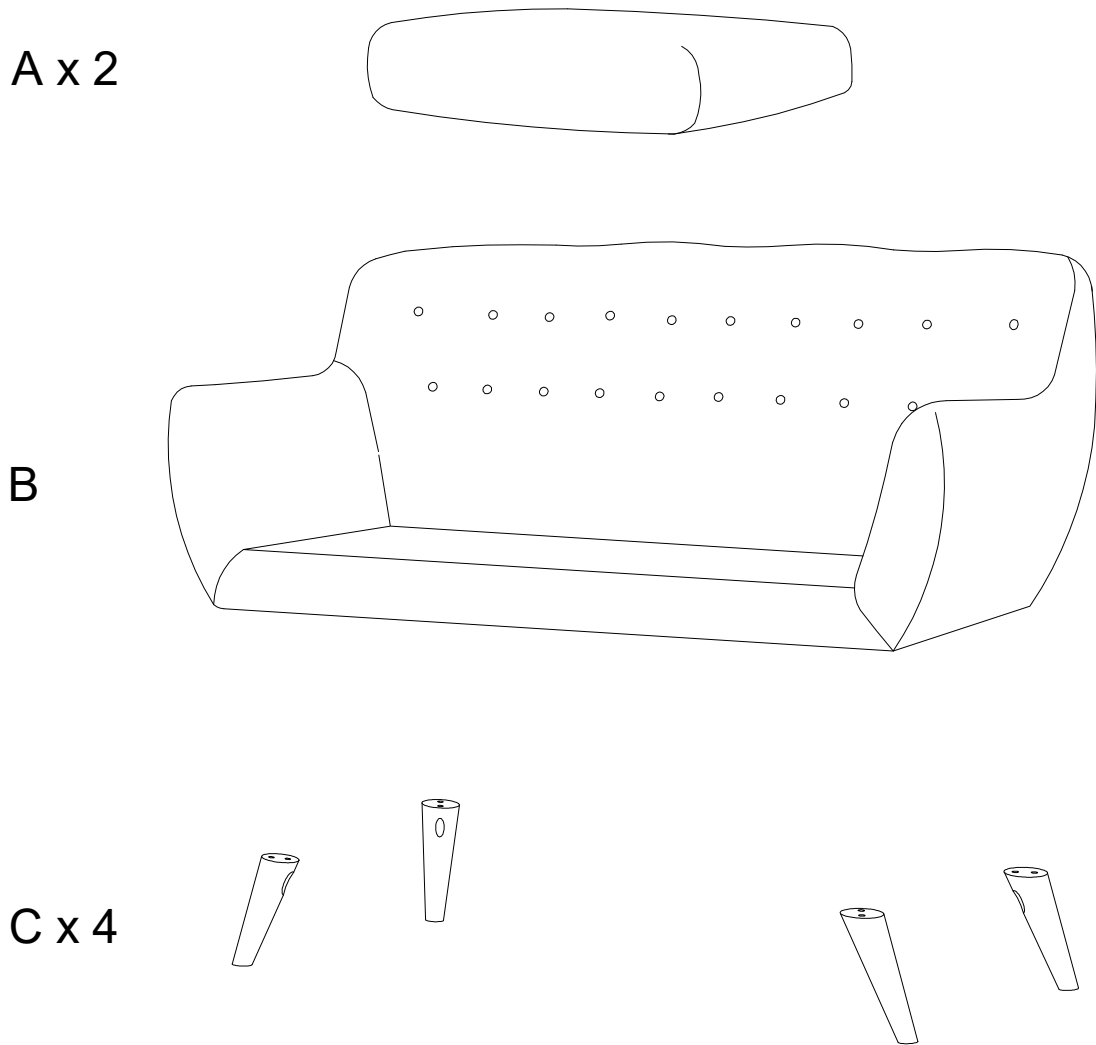
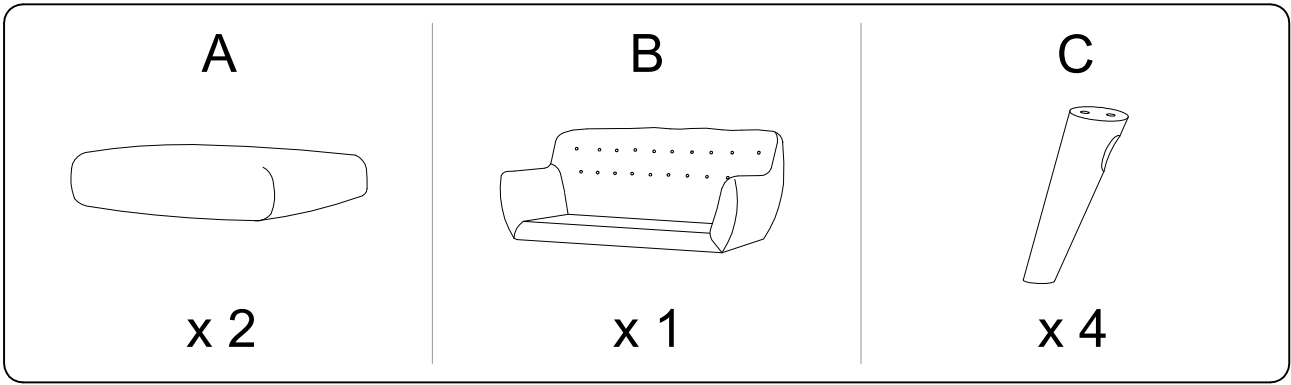
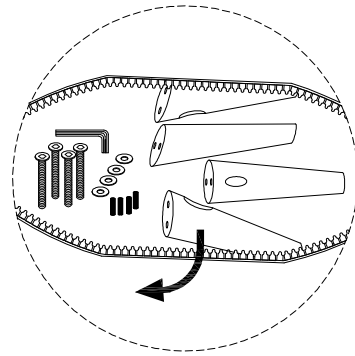
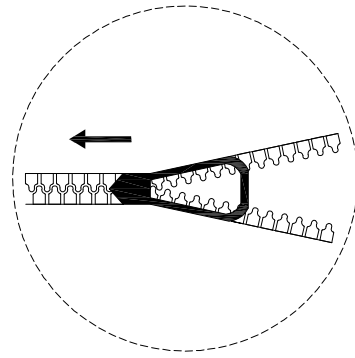
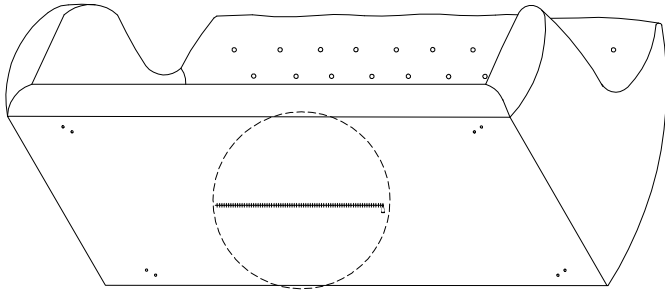


Diagram illustrating assembly instructions and safety warnings:

- Warning 1:** A triangle with an exclamation mark points to a box containing:
  - An icon of an L-shaped metal bracket.
  - An icon of a power drill with a slash through it, indicating that a power drill should not be used.
- Warning 2:** A triangle with an exclamation mark points to a box containing:
  - An icon of a rectangular block being placed on a surface with a grid pattern.
  - An icon of a rectangular block with a slash through it, indicating that the block should not be cut.
- Time:** A clock icon is positioned above the number **20'**, indicating a 20-minute assembly time.
- Personnel:** An icon of a person is positioned above the number **2**, indicating that two people are required for assembly.



!



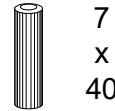
1

C



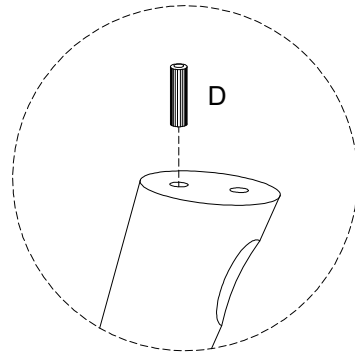
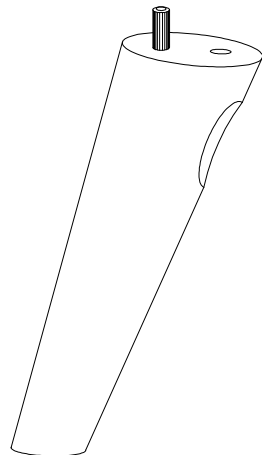
x 4

D

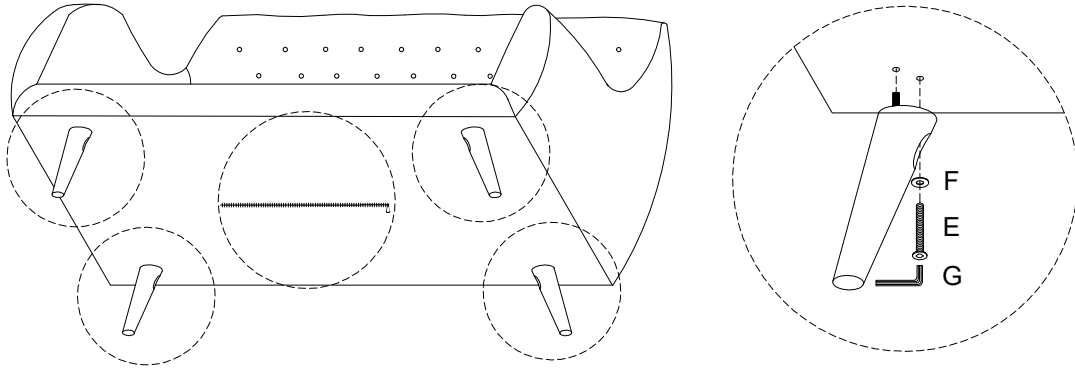
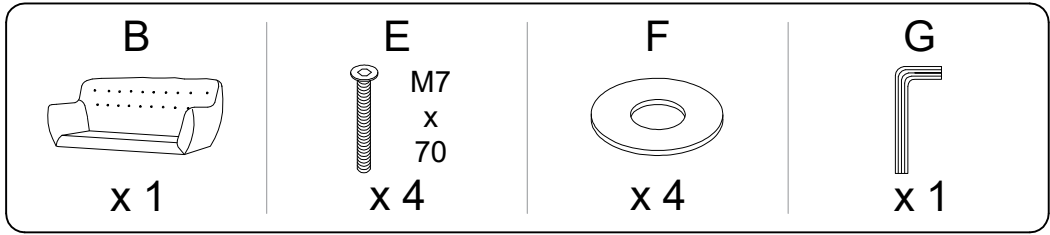


7  
x  
40

x 4



2



3

