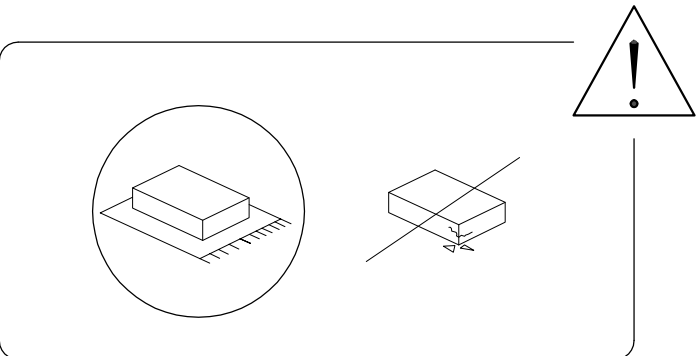
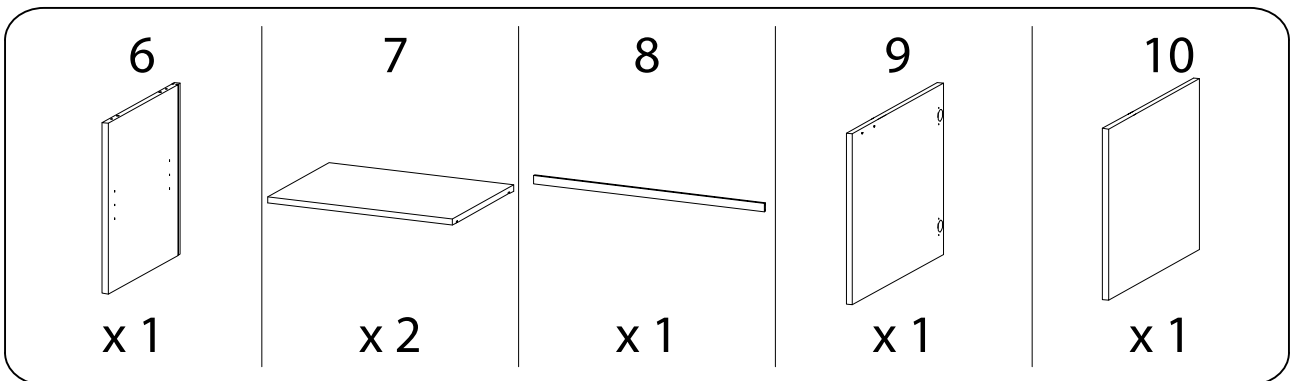
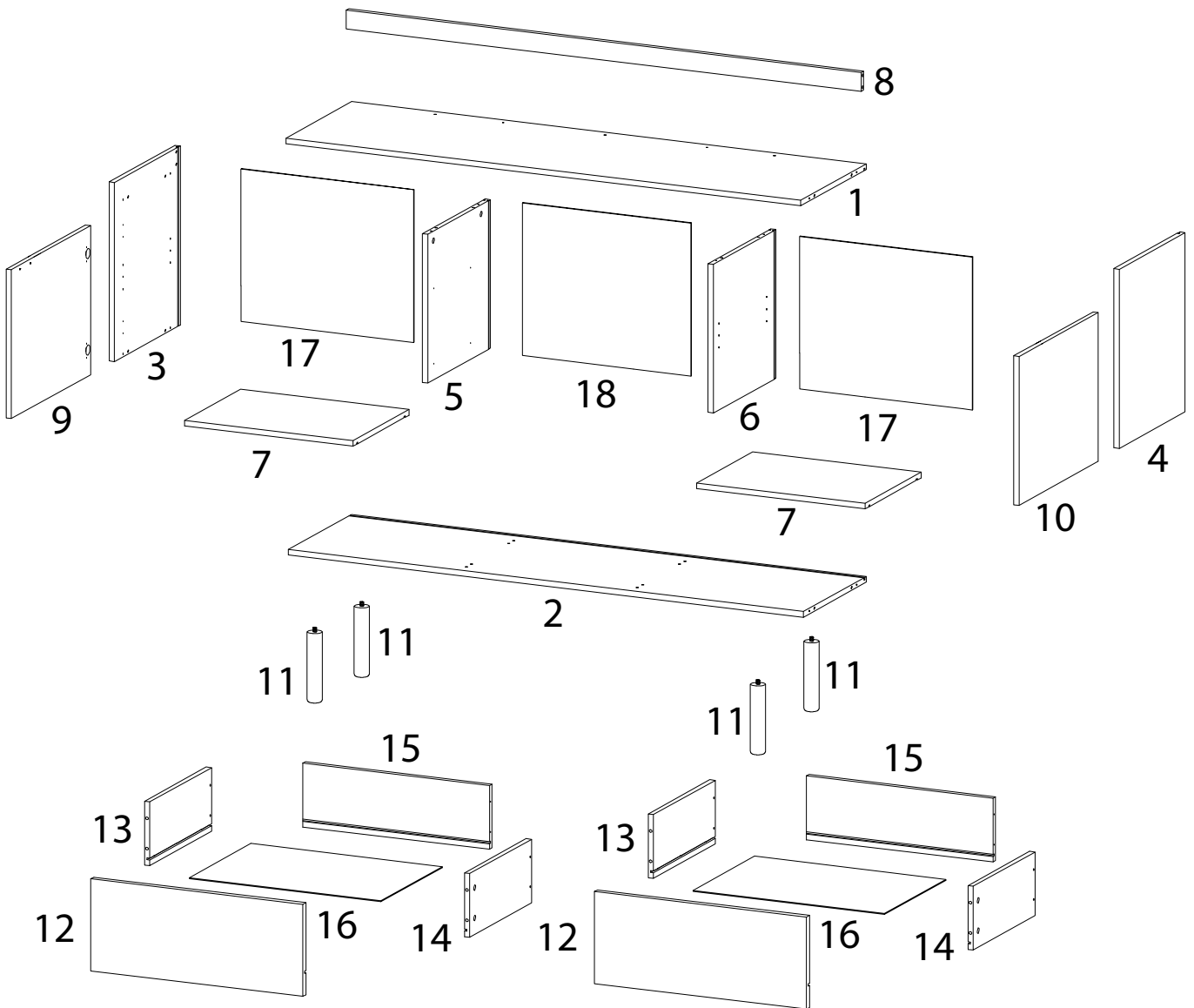
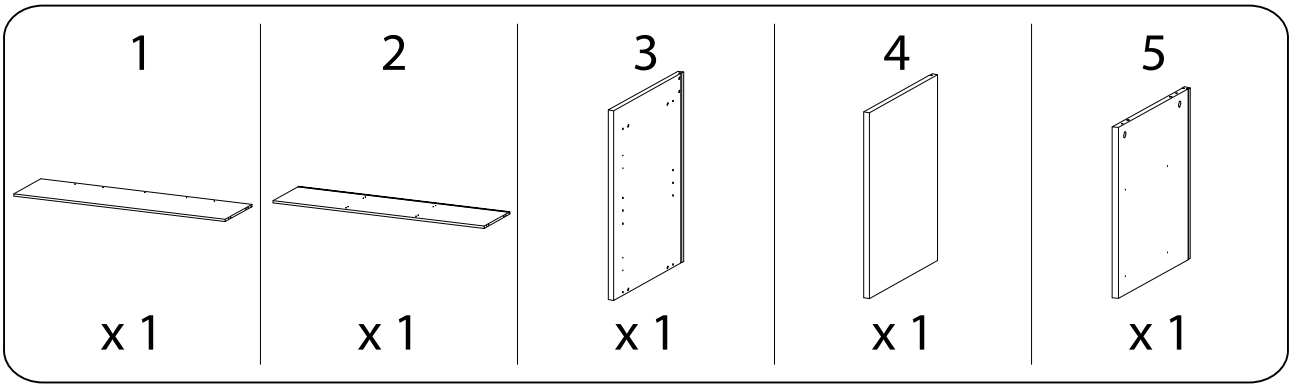


90'



1

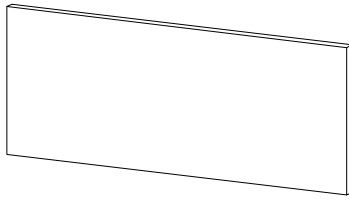


11



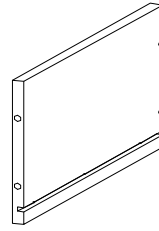
x 4

12



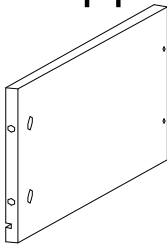
x 2

13



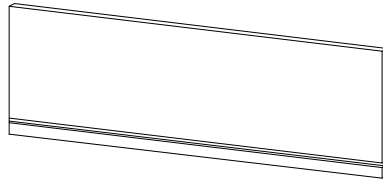
x 2

14



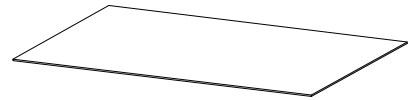
x 2

15



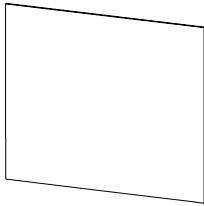
x 2

16



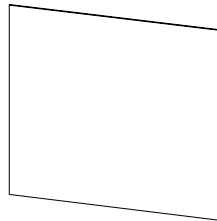
x 2

17



x 2

18



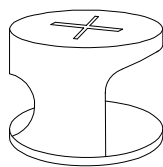
x 1

A



x 22

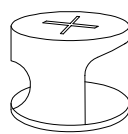
B



Ø15

x 14

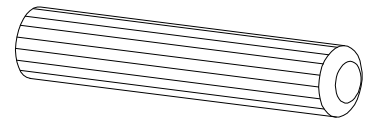
C



Ø12

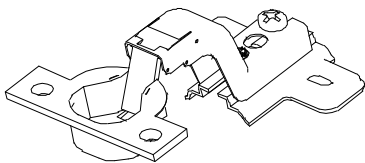
x 8

D



x 23

E



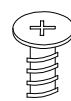
x 4

F



x 1

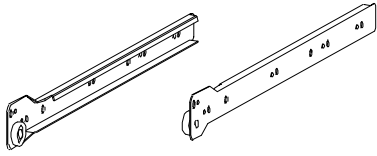
G



M6
x
10.5

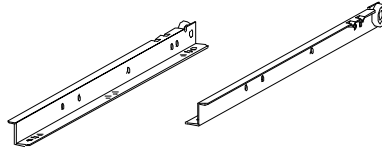
x 22

H1



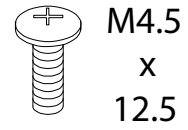
x 2

H2



x 2

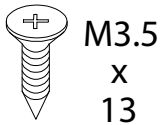
I



M4.5
x
12.5

x 32

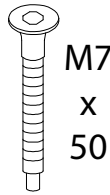
J



M3.5
x
13

x 12

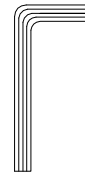
K



M7
x
50

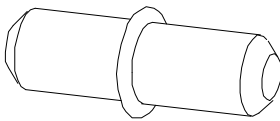
x 4

L



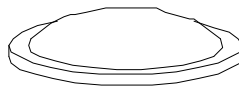
x 1

M



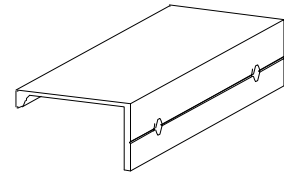
x 8

N



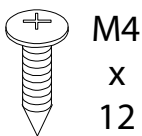
x 2

O



x 4

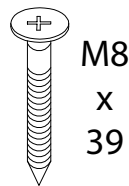
P



M4
x
12

x 8

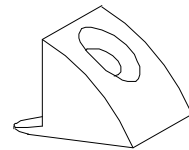
Q



M8
x
39

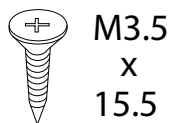
x 8

R



x 24

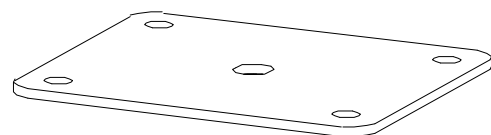
S



M3.5
x
15.5

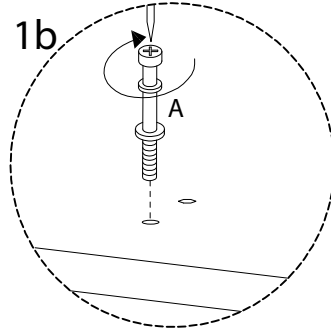
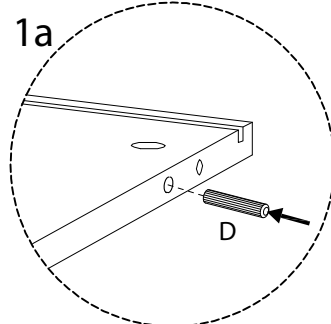
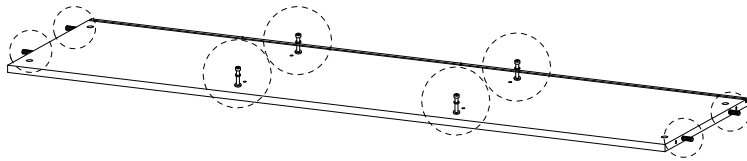
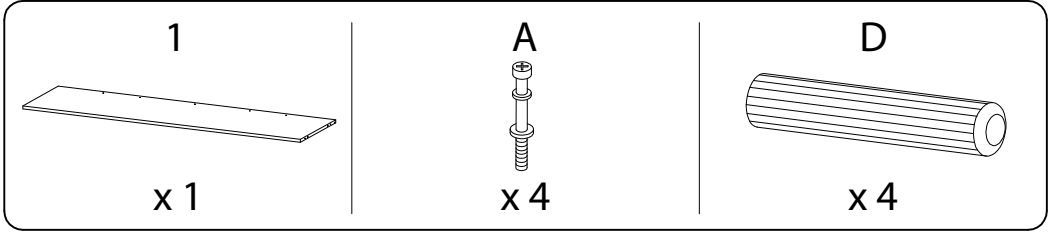
x 24

T

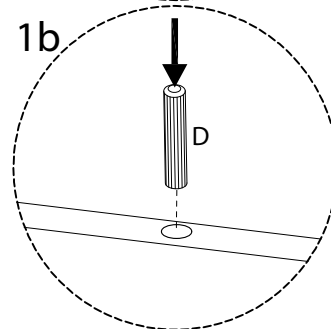
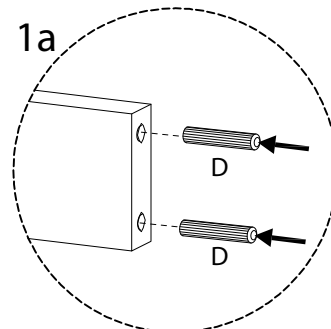
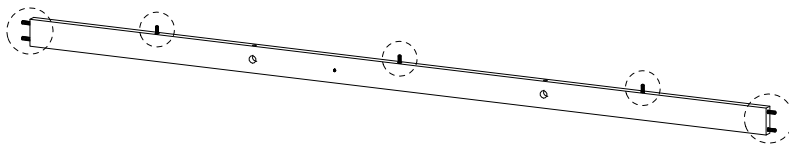
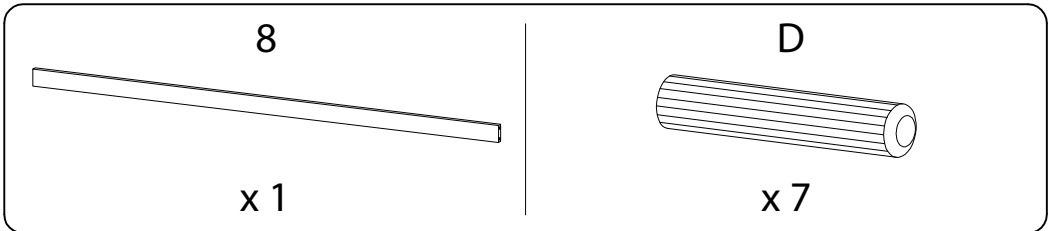


x 4

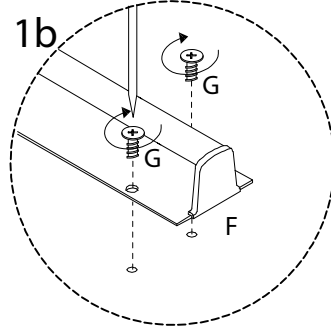
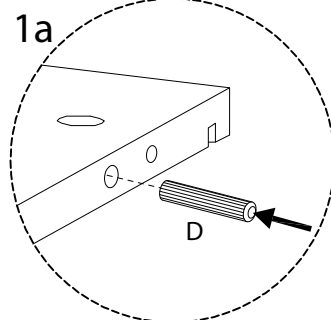
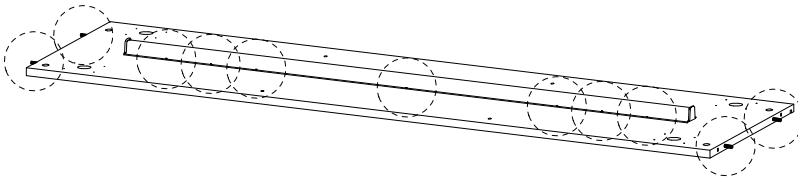
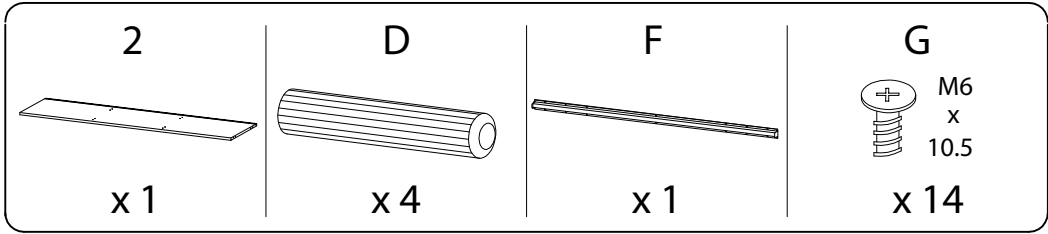
1



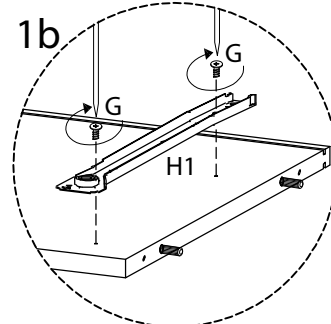
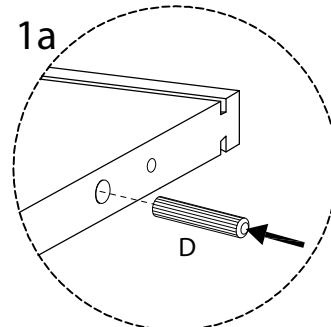
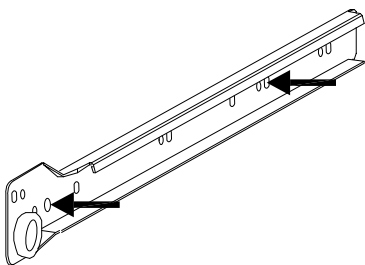
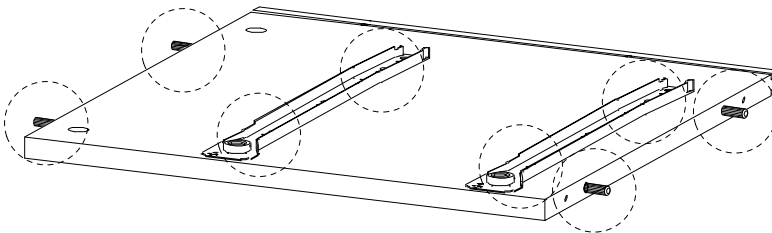
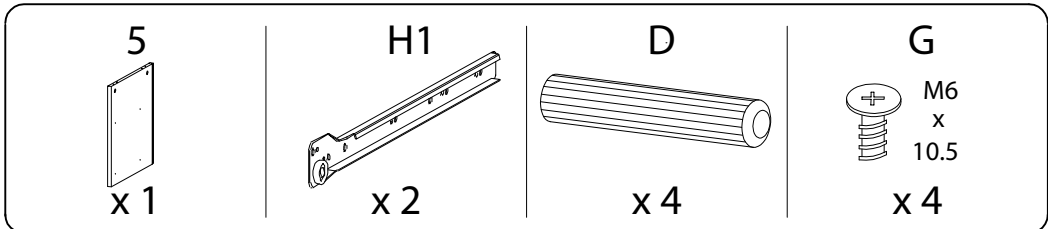
2



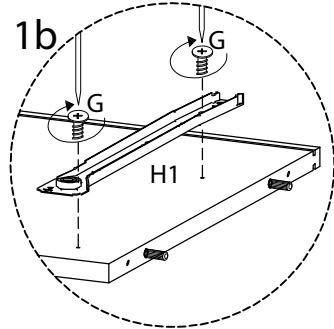
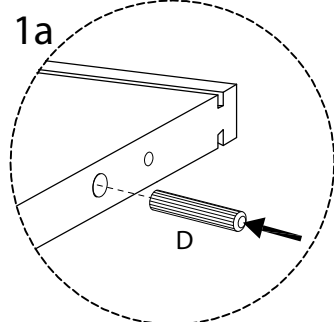
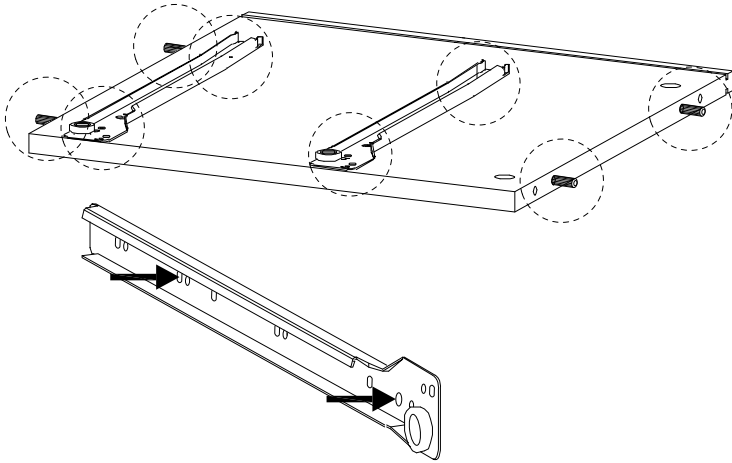
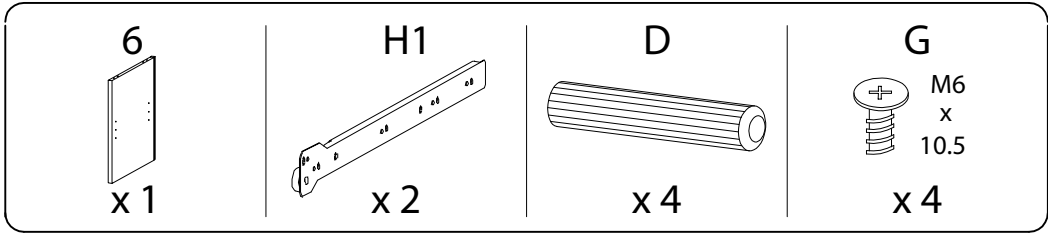
3



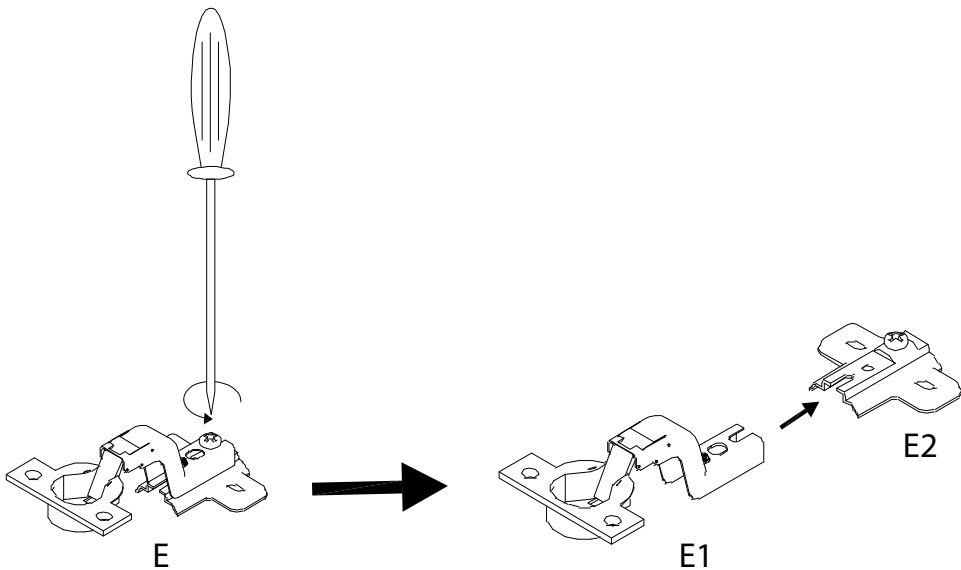
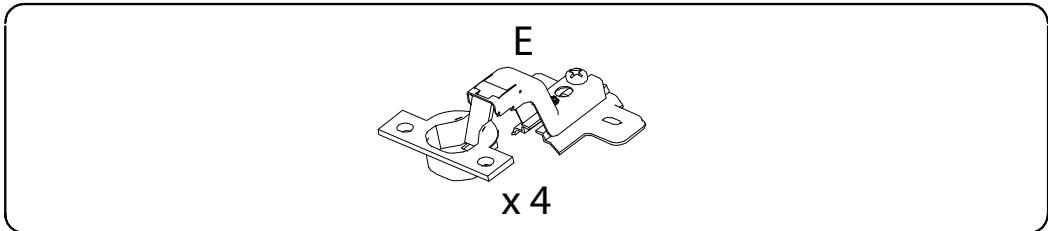
4



5

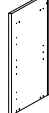


6



7

3



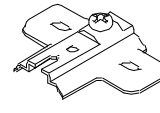
x 1

A



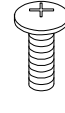
x 4

E2



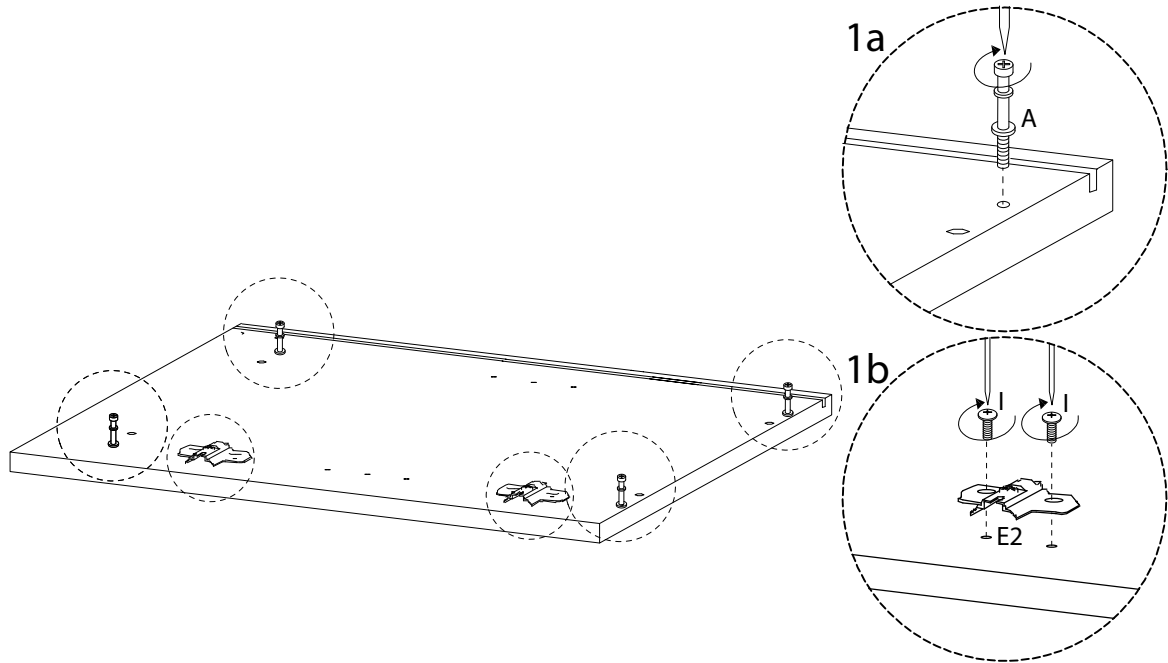
x 2

I



M4.5
x
12.5

x 4



8

4



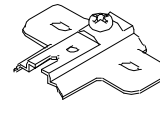
x 1

A



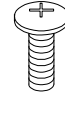
x 4

E2



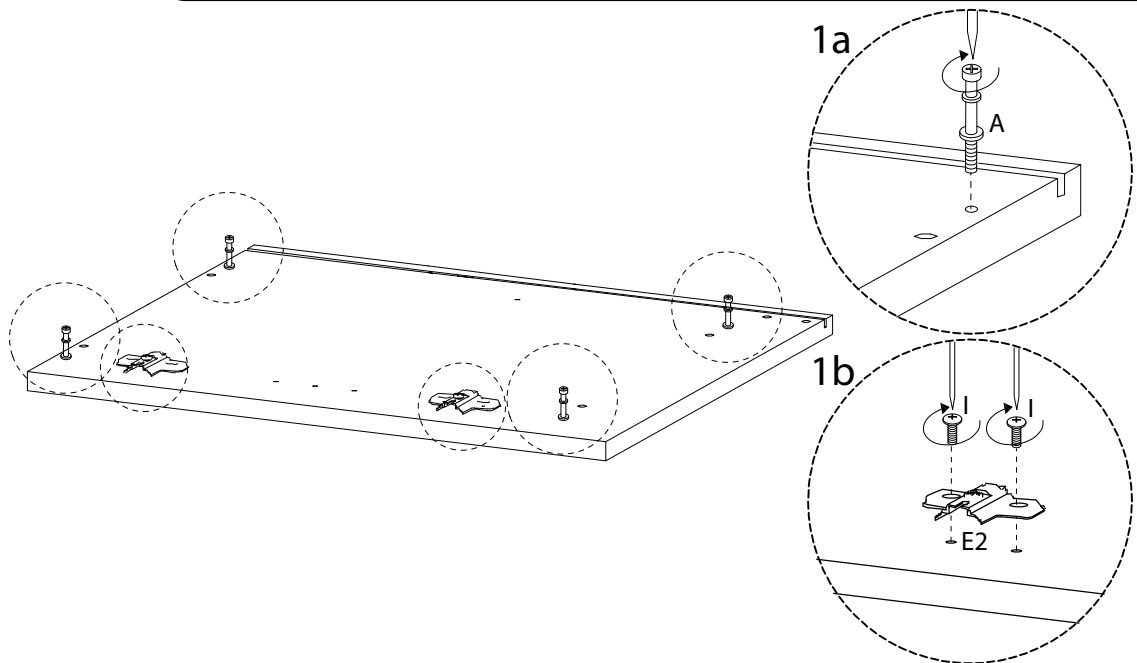
x 2

I

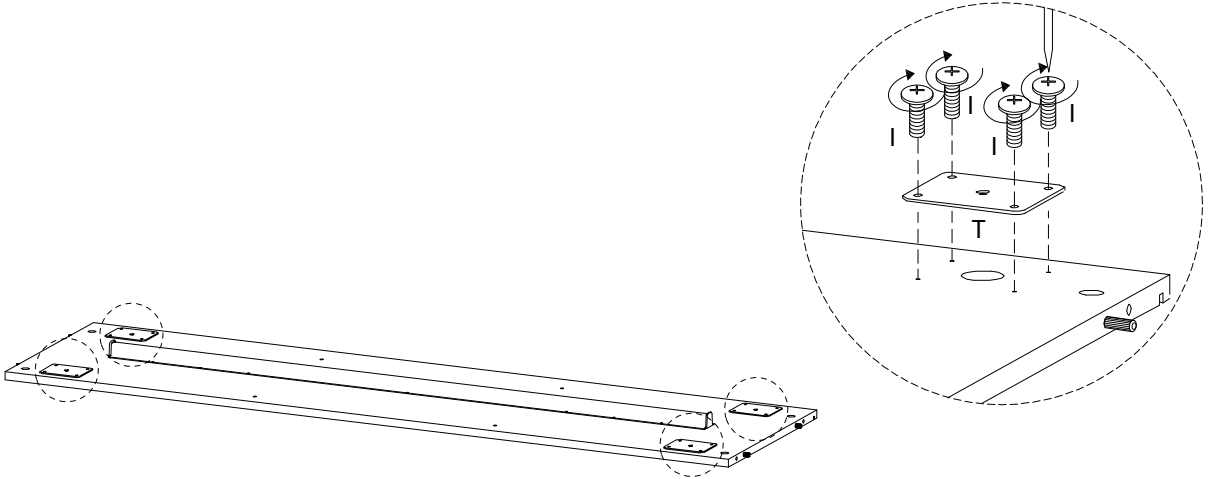
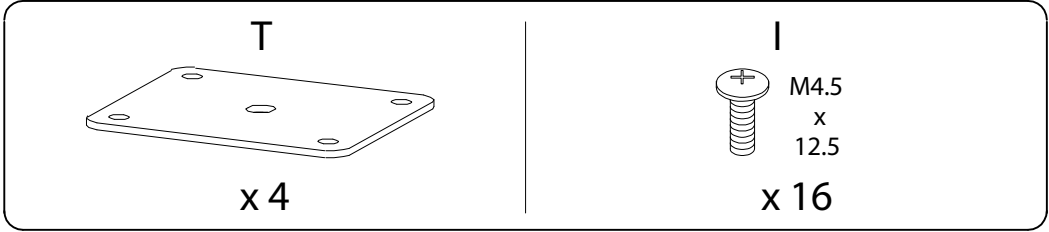


M4.5
x
12.5

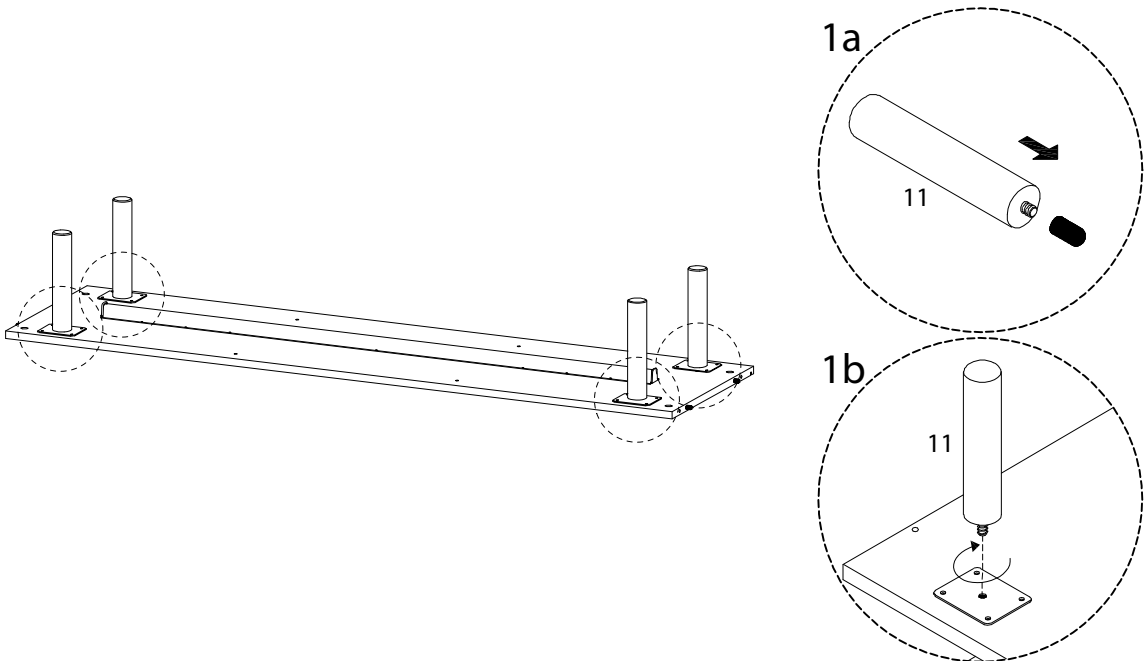
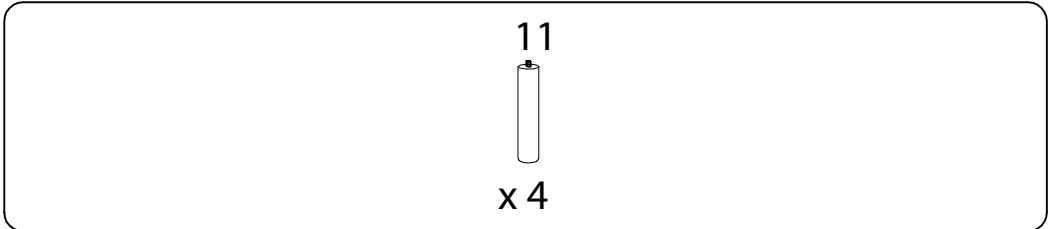
x 4



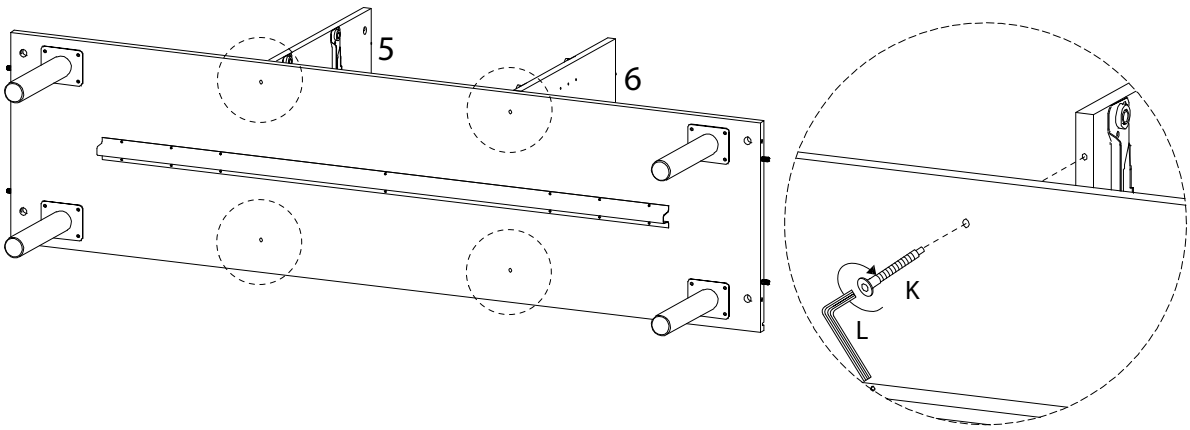
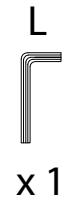
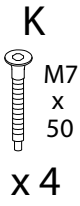
9



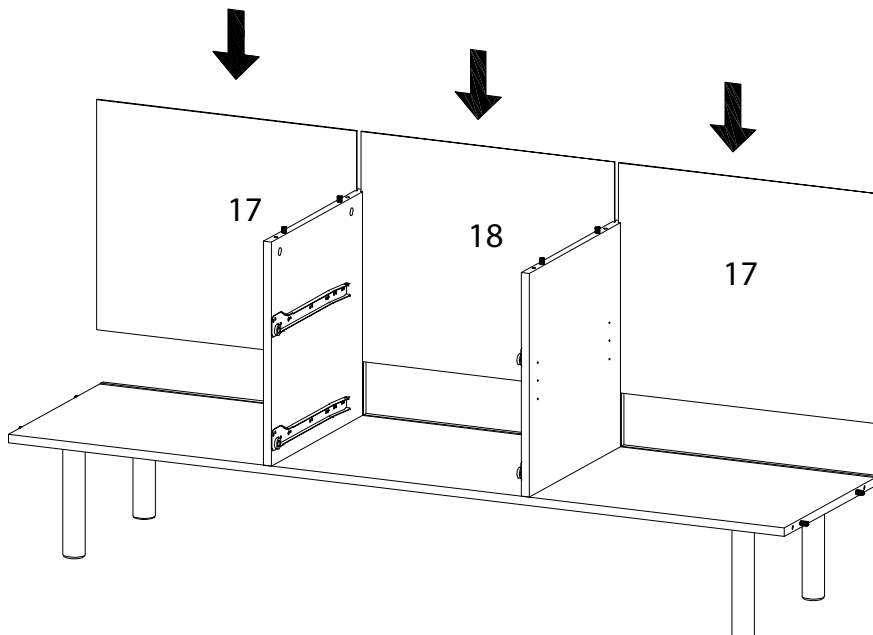
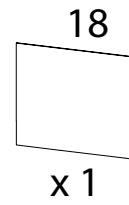
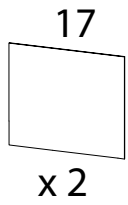
10



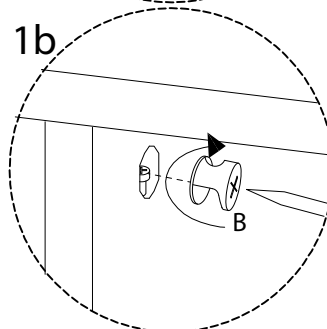
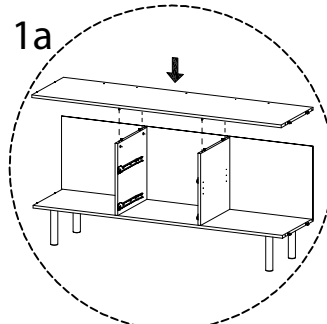
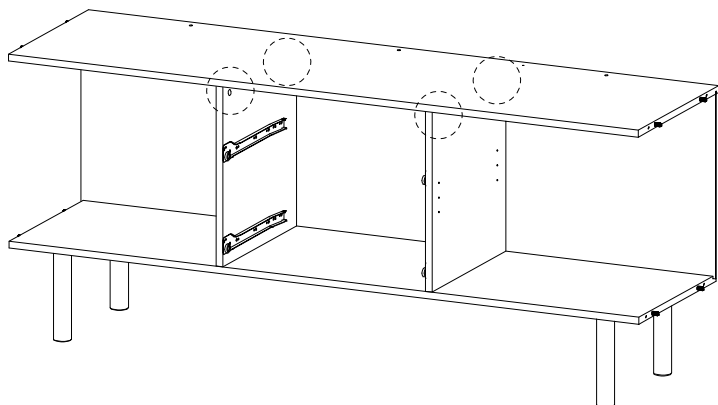
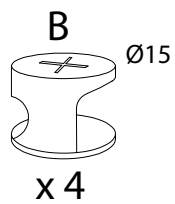
11



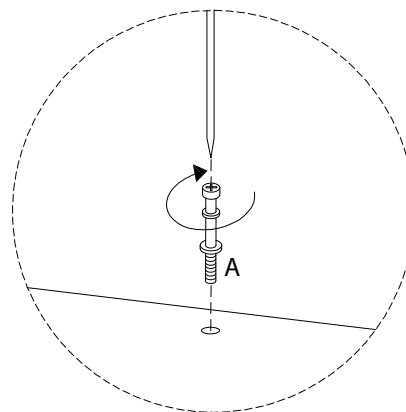
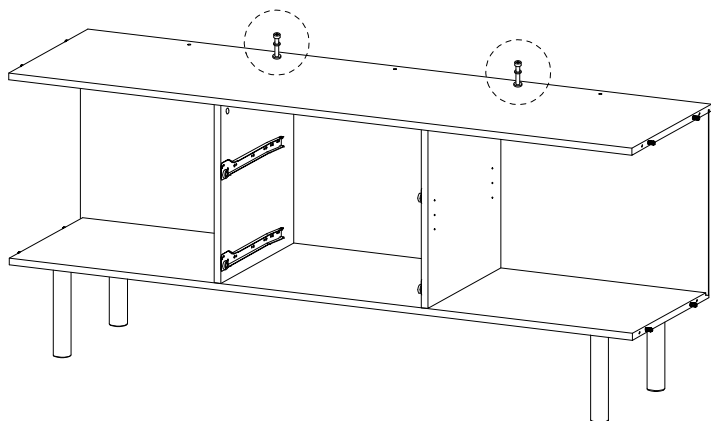
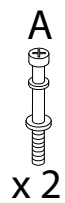
12



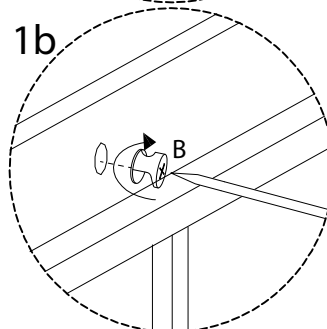
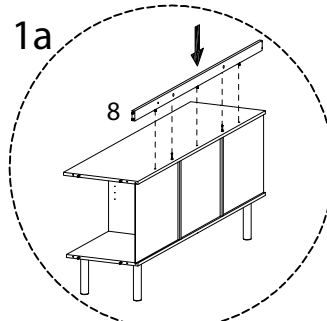
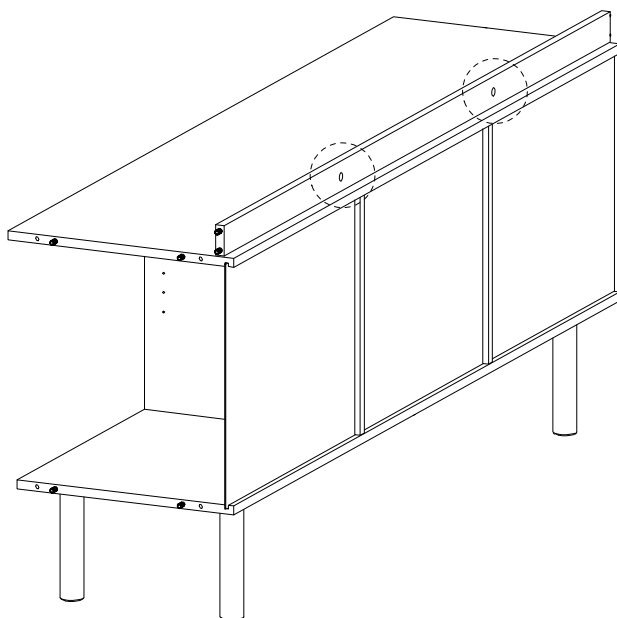
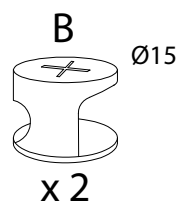
13



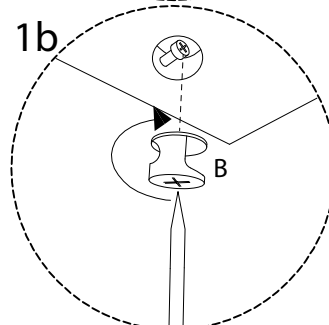
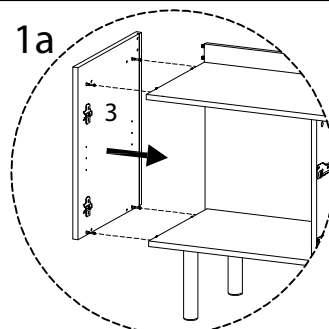
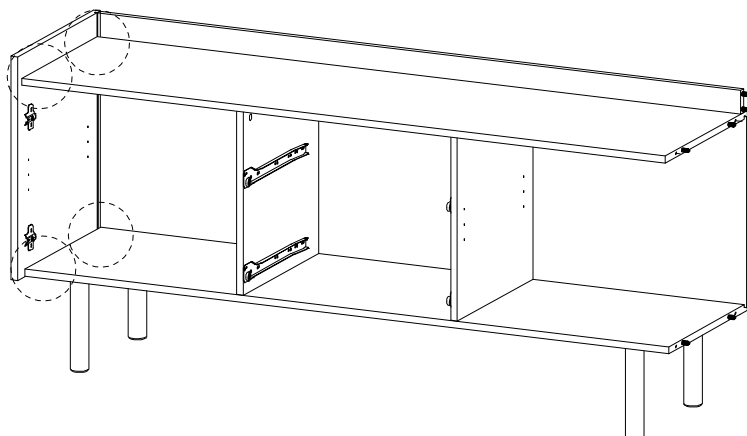
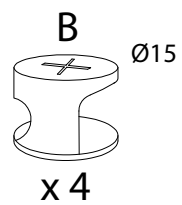
14



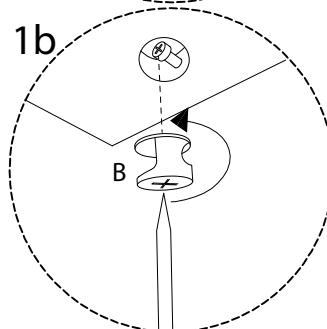
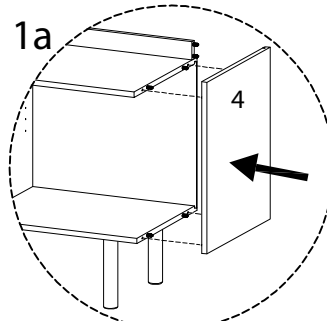
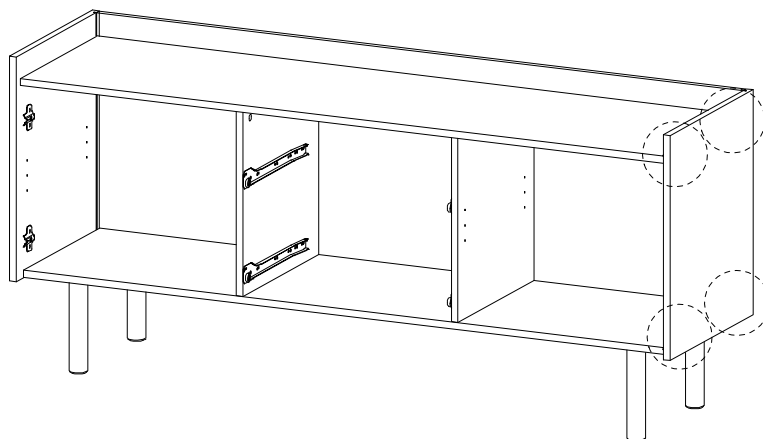
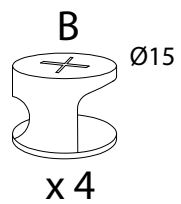
15



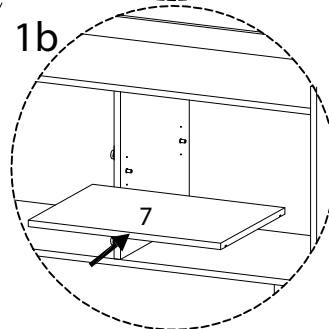
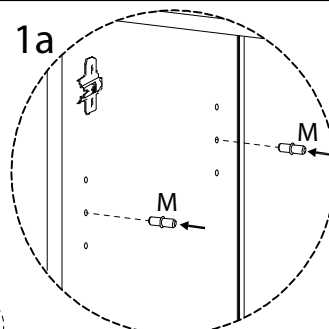
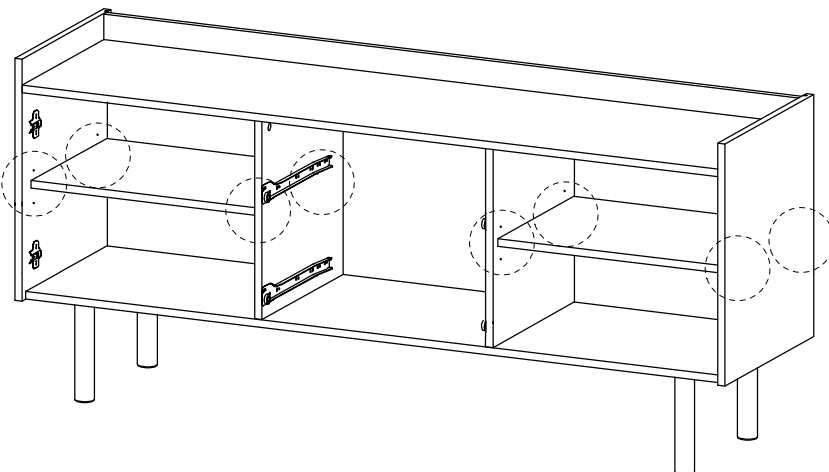
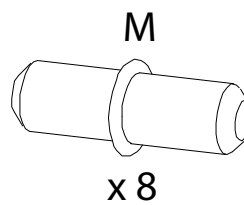
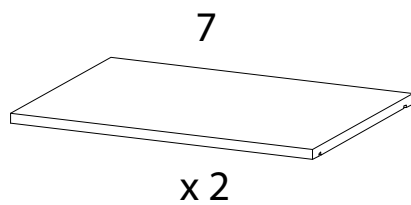
16



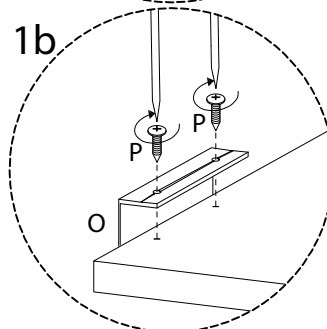
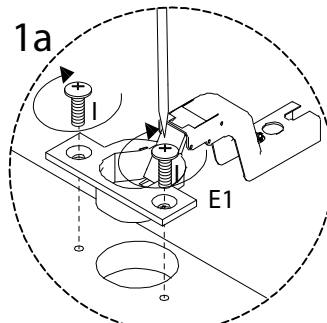
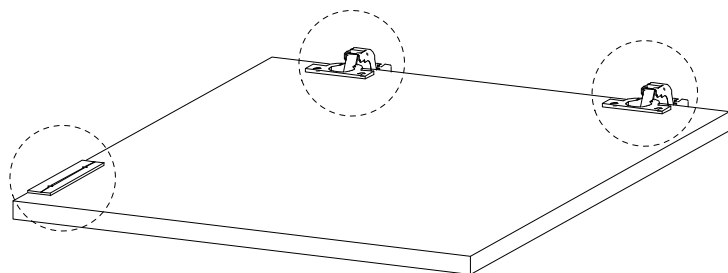
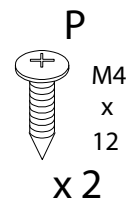
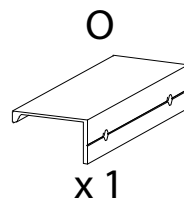
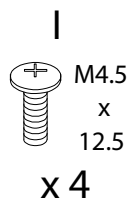
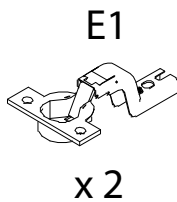
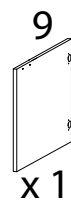
17



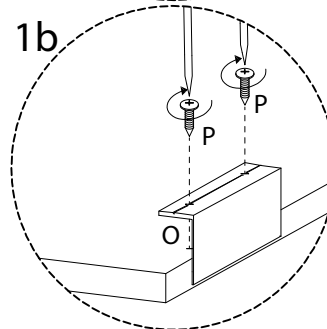
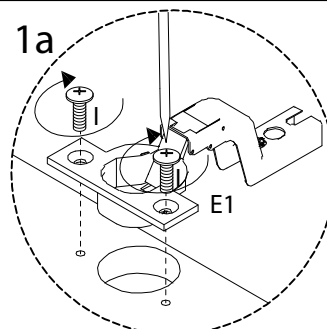
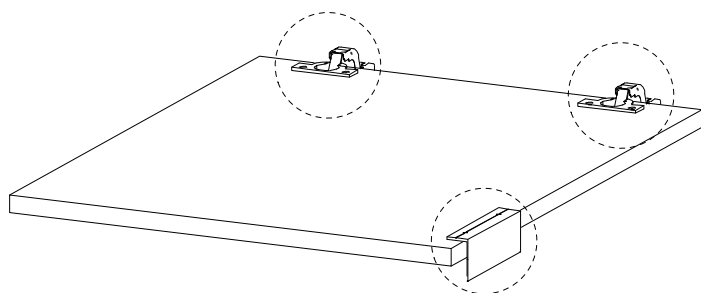
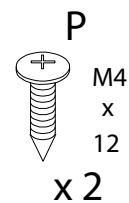
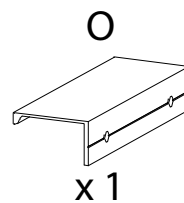
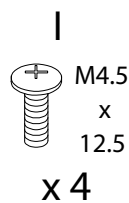
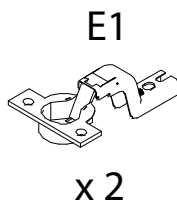
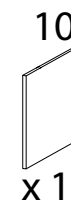
18



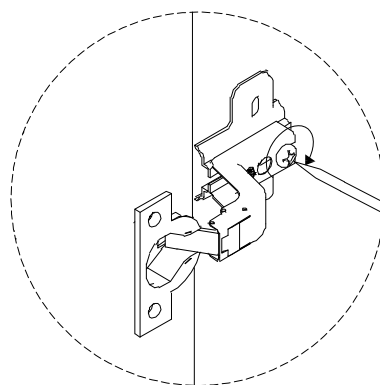
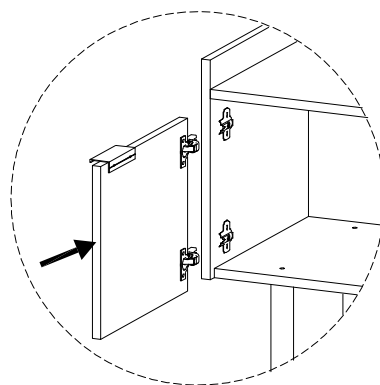
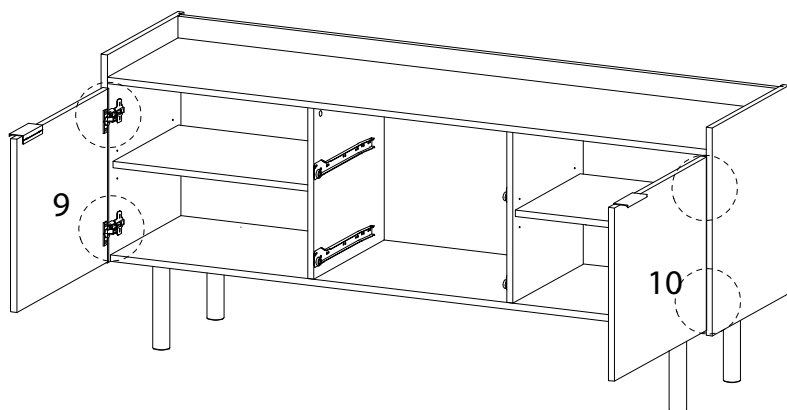
19



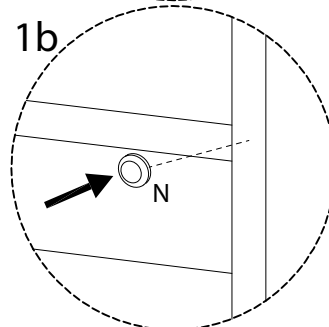
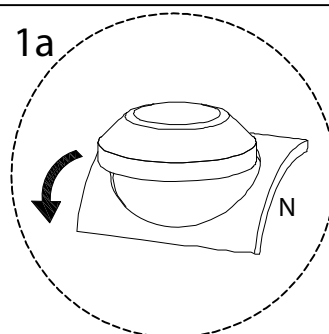
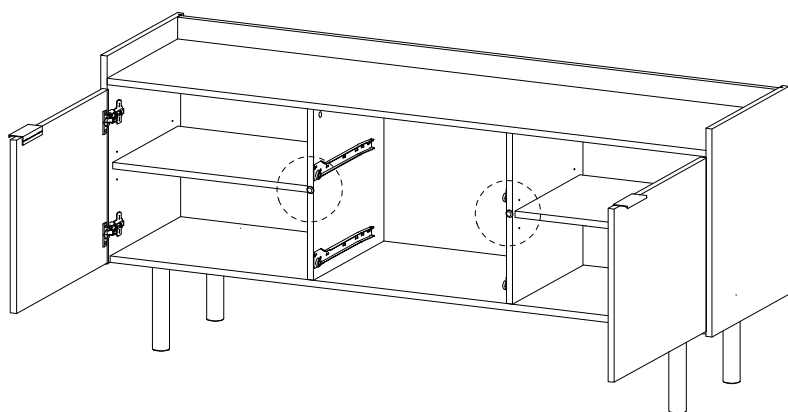
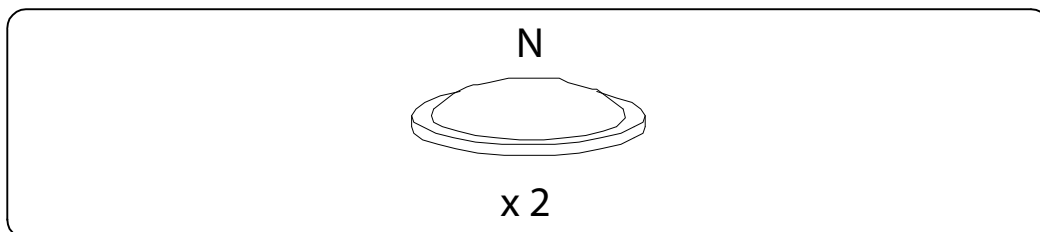
20



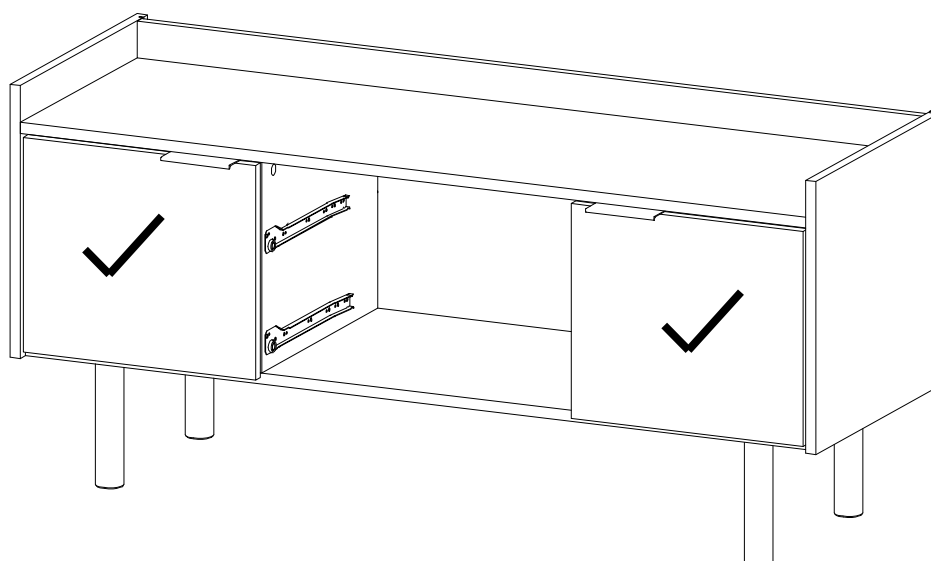
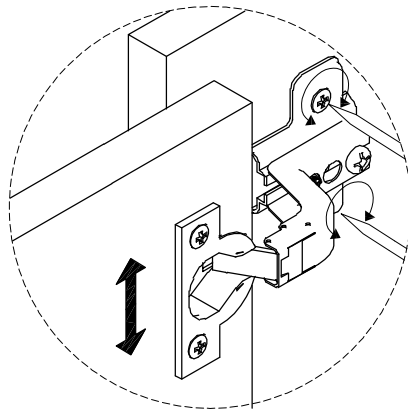
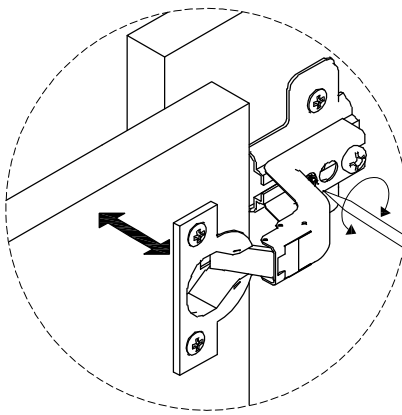
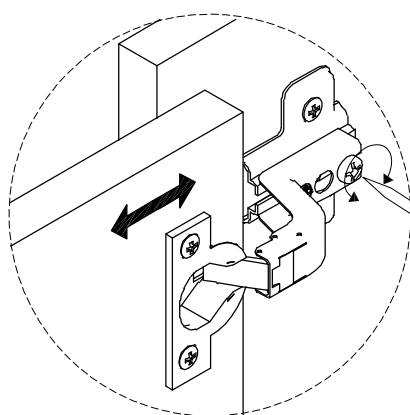
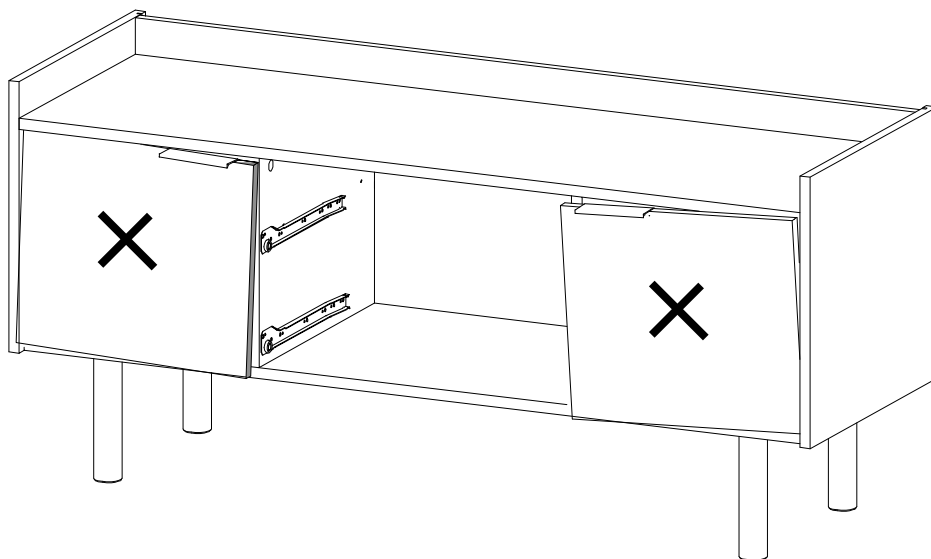
21



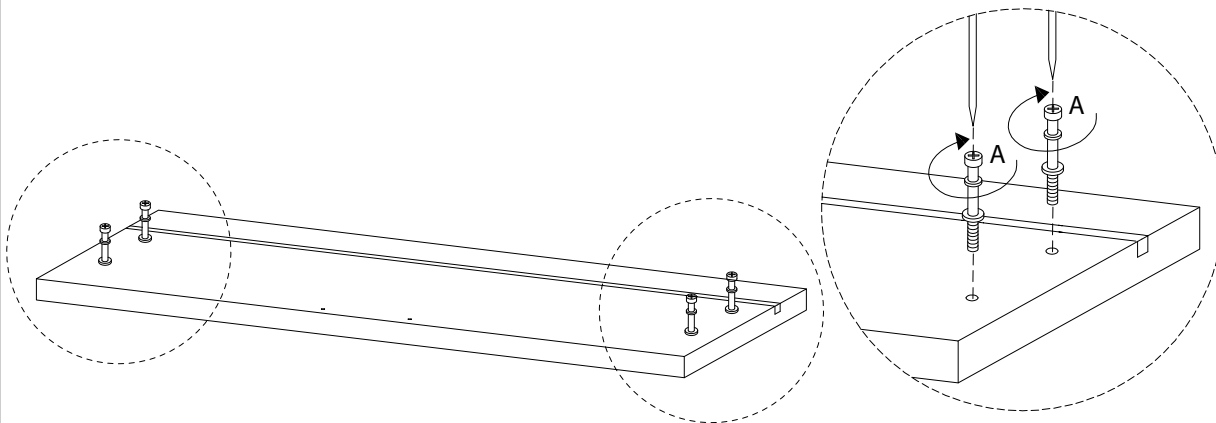
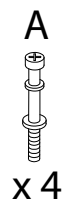
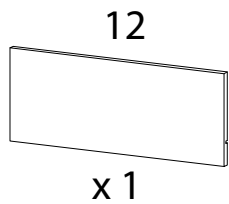
22



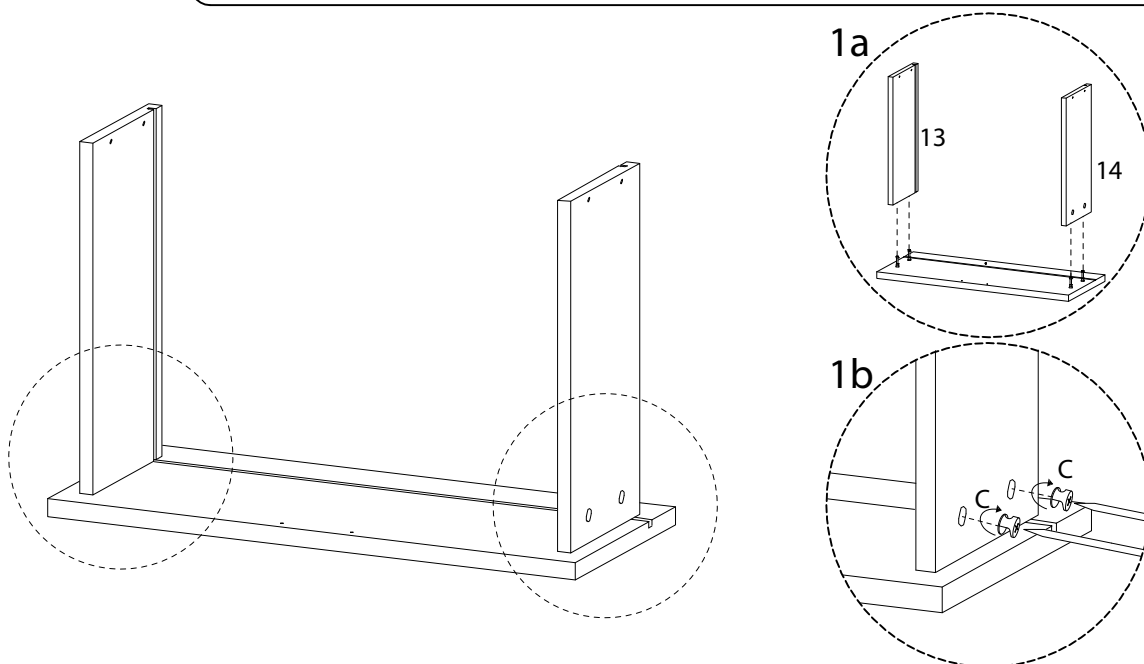
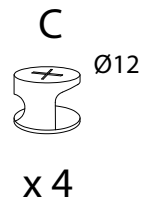
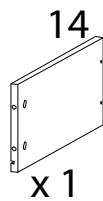
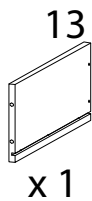
23



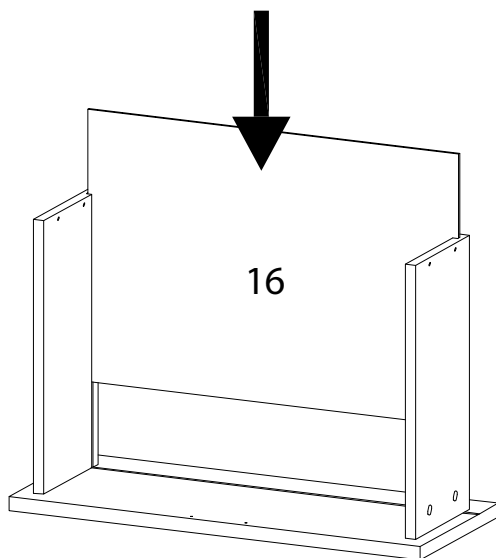
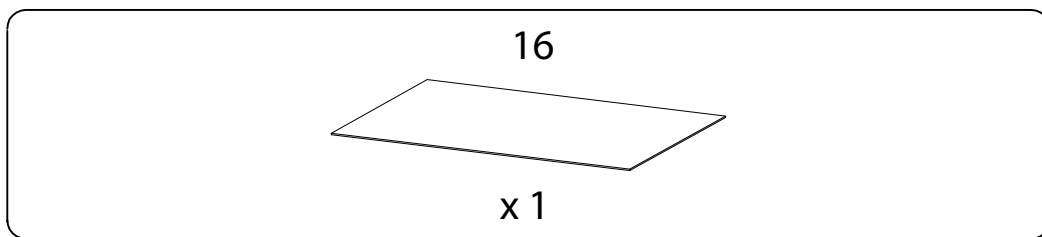
24 x2



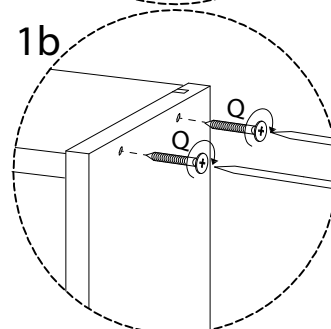
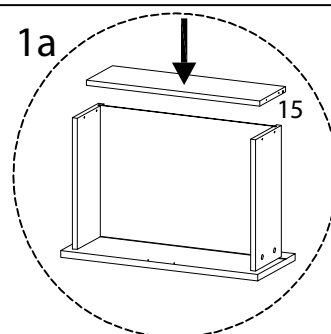
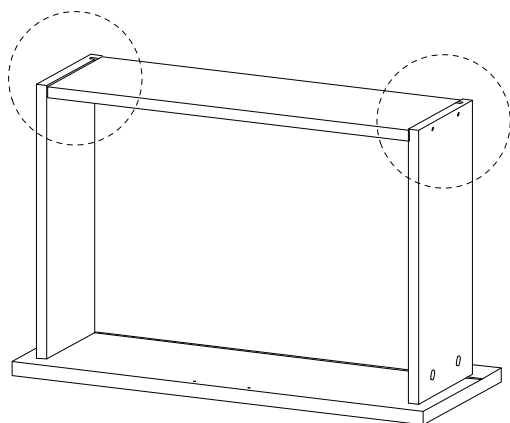
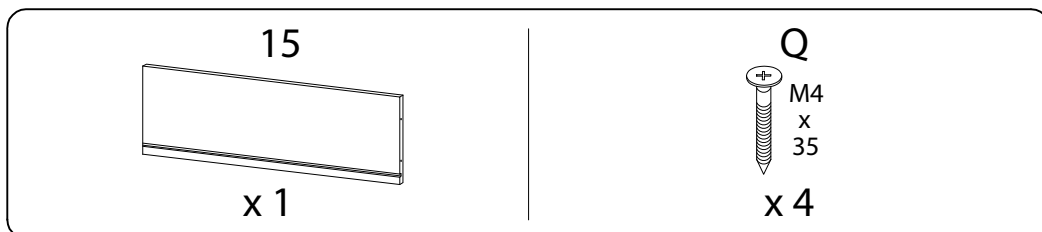
25 x2



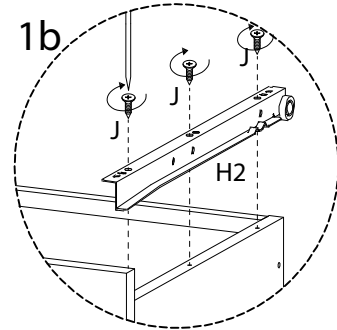
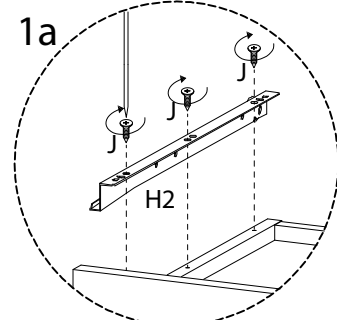
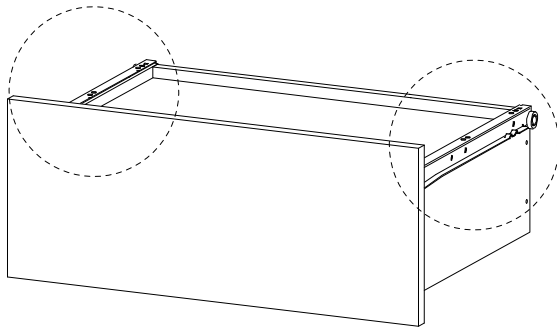
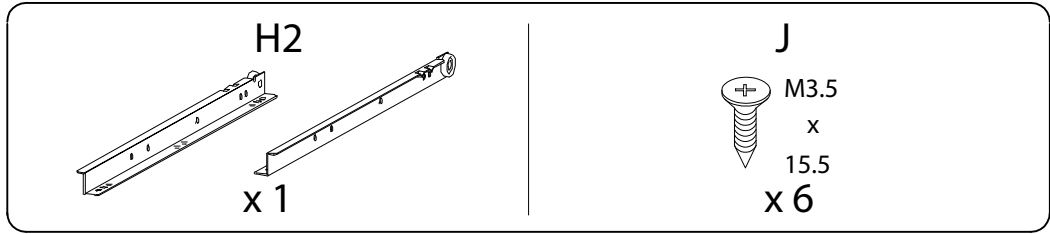
26 x2



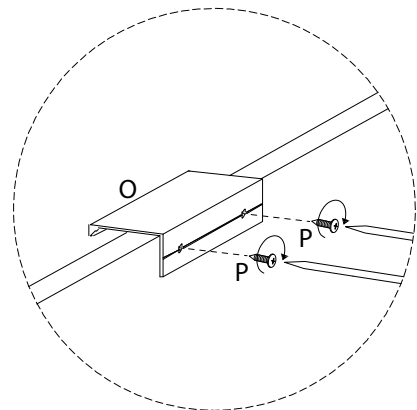
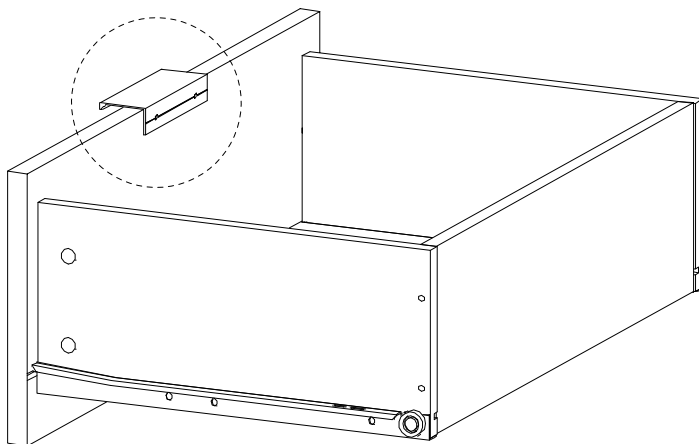
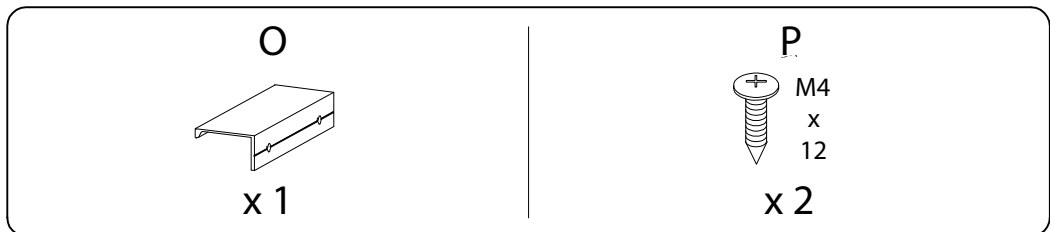
27 x2



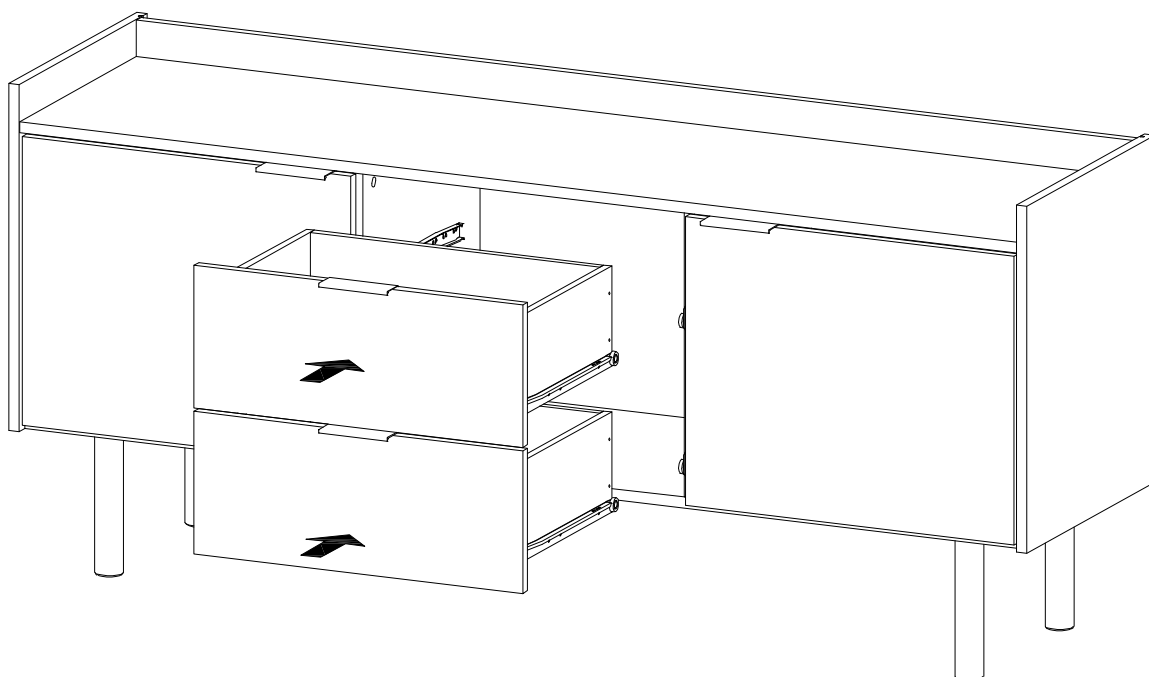
28 x2



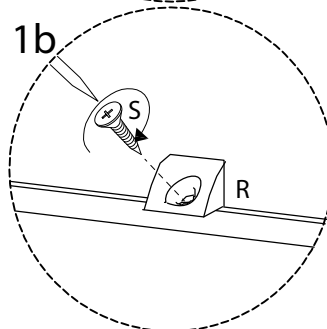
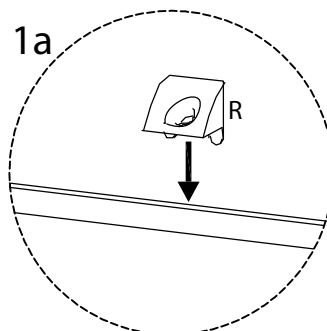
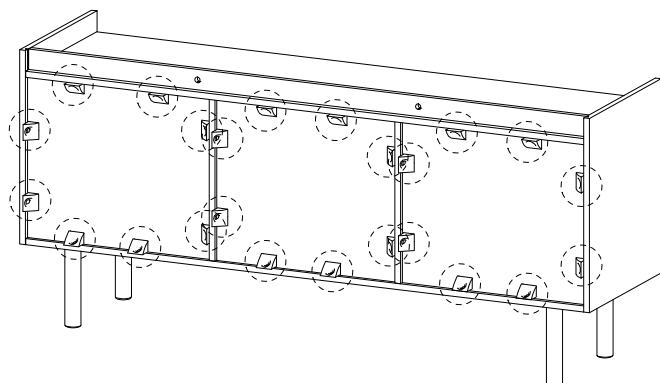
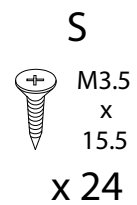
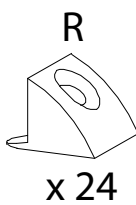
29 x2



30



31



!

