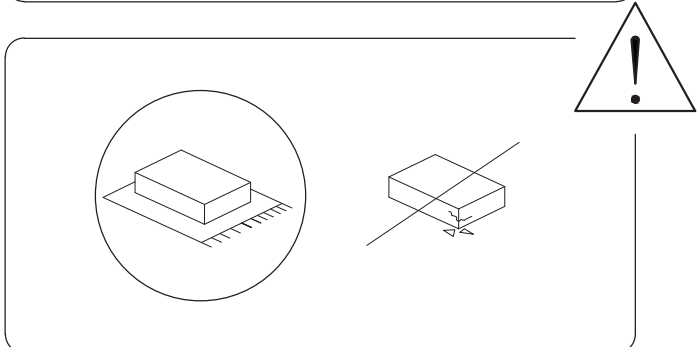
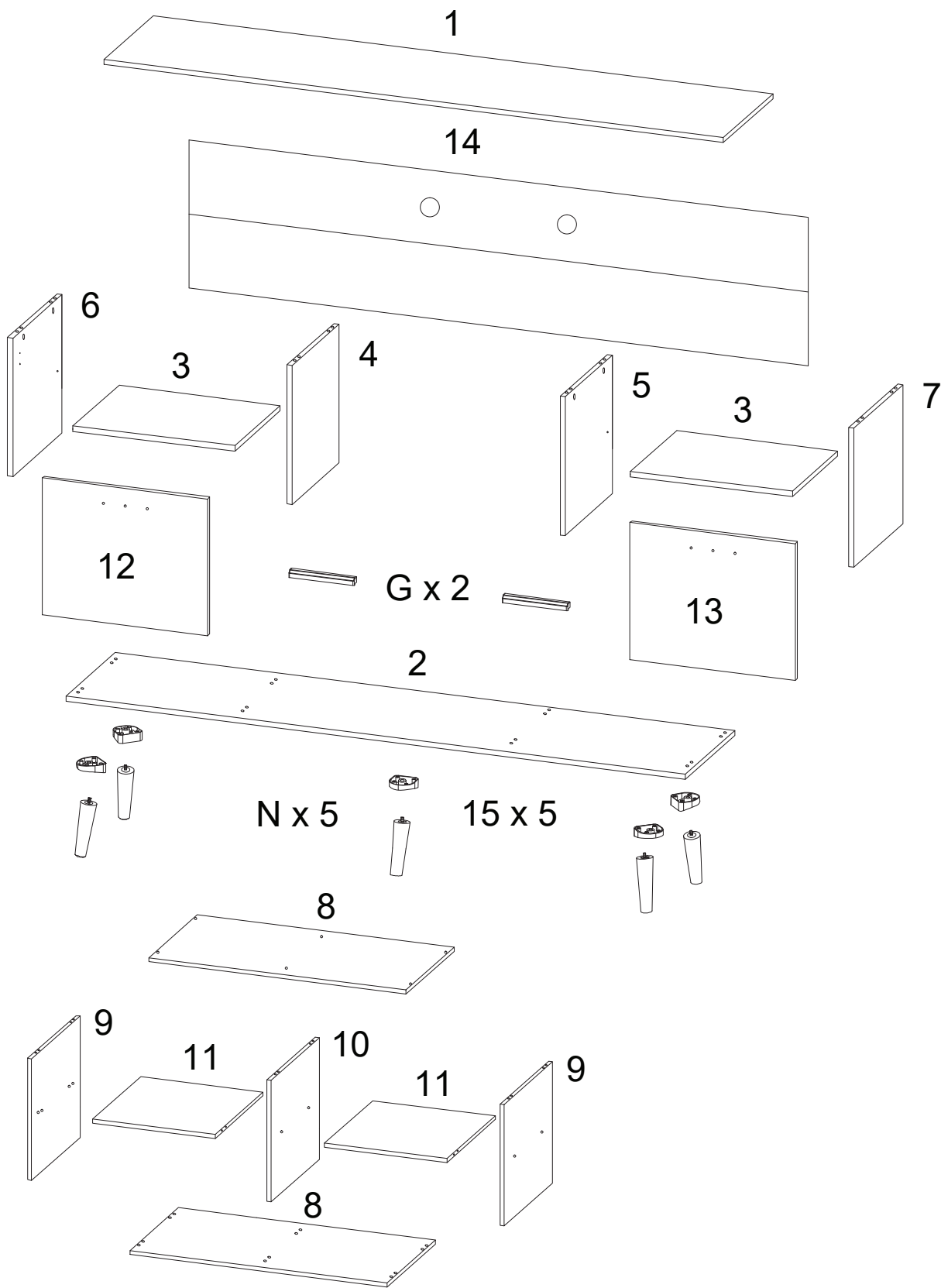


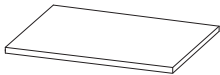

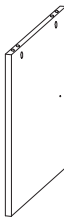


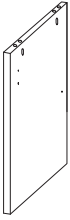

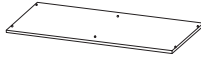

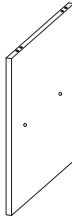
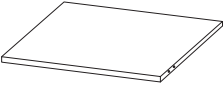
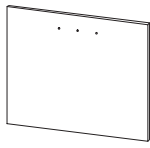
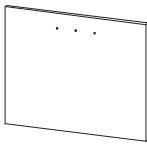
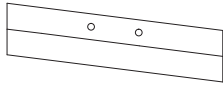

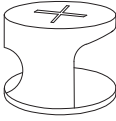

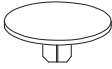


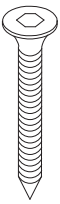

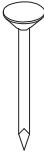


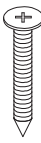
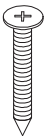
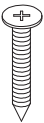
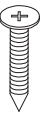
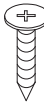
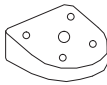
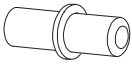
60'



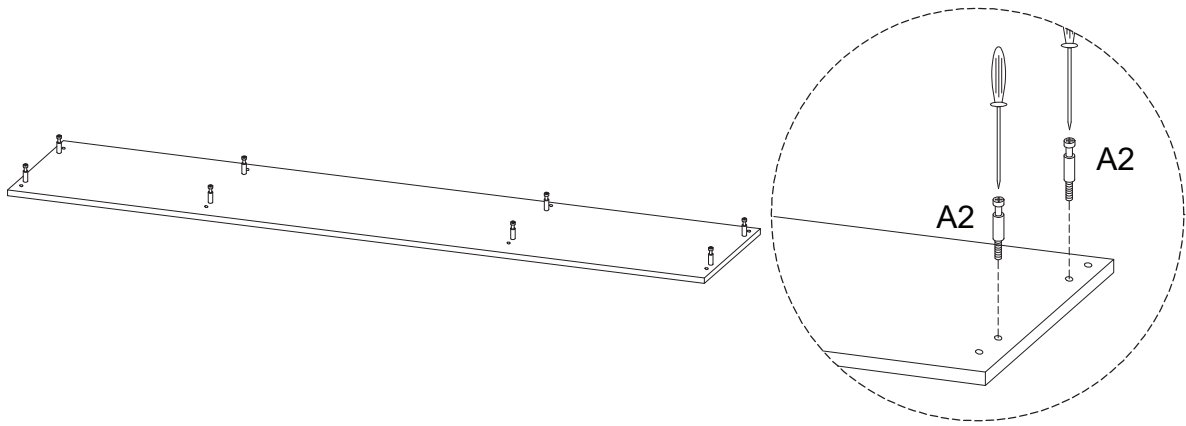
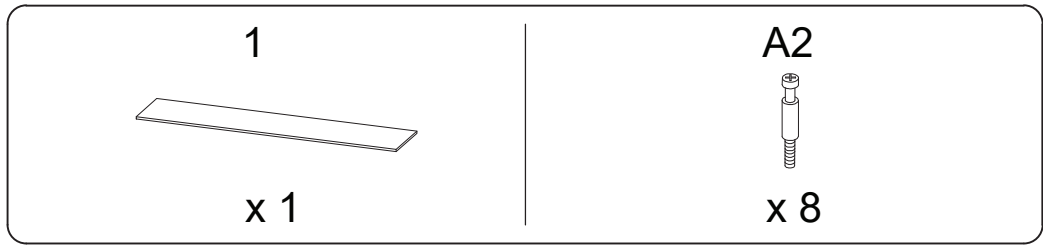
2



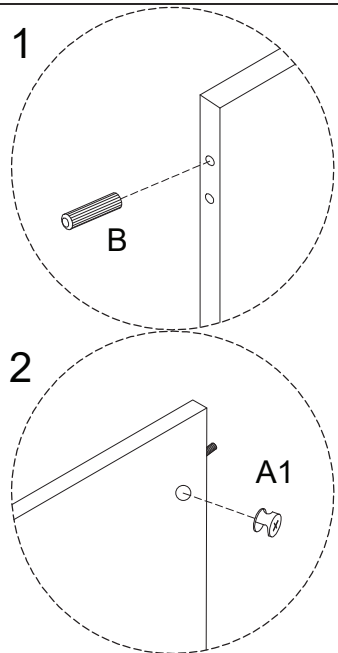
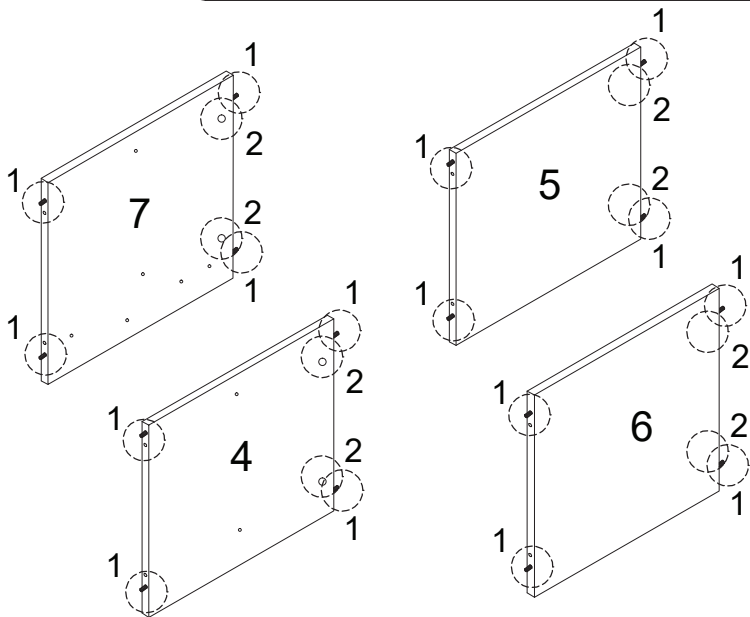
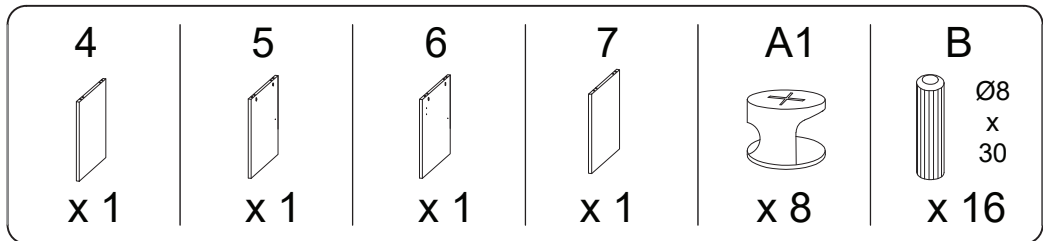
1	2	3	4	5
				
x 1	x 1	x 2	x 1	x 1

<p>6</p>  <p>x 1</p>	<p>7</p>  <p>x 1</p>	<p>8</p>  <p>x 2</p>	<p>9</p>  <p>x 2</p>	<p>10</p>  <p>x 1</p>	
<p>11</p>  <p>x 2</p>	<p>12</p>  <p>x 1</p>	<p>13</p>  <p>x 1</p>	<p>14</p>  <p>x 1</p>	<p>15</p>  <p>x 5</p>	
<p>A1</p>  <p>x 8</p>	<p>A2</p>  <p>x 8</p>	<p>A3</p>  <p>x 8</p>	<p>B</p>  <p>Ø8 x 30</p> <p>x 16</p>	<p>C</p>  <p>Ø6 x 30</p> <p>x 20</p>	
<p>D</p>  <p>M6 x 50</p> <p>x 8</p>	<p>E</p>  <p>x 1</p>	<p>F</p>  <p>x 36</p>	<p>G</p>  <p>x 2</p>	<p>H</p>  <p>x 4</p>	<p>I</p>  <p>M4 x 32</p> <p>x 6</p>
<p>J</p>  <p>M4 x 38</p> <p>x 16</p>	<p>K</p>  <p>M4 x 25</p> <p>x 2</p>	<p>L</p>  <p>M4 x 20</p> <p>x 20</p>	<p>M</p>  <p>M3.5 x 16</p> <p>x 16</p>	<p>N</p>  <p>x 5</p>	<p>O</p>  <p>x 8</p>

1

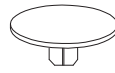


2

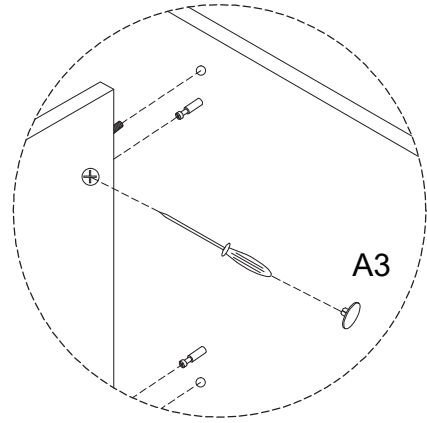
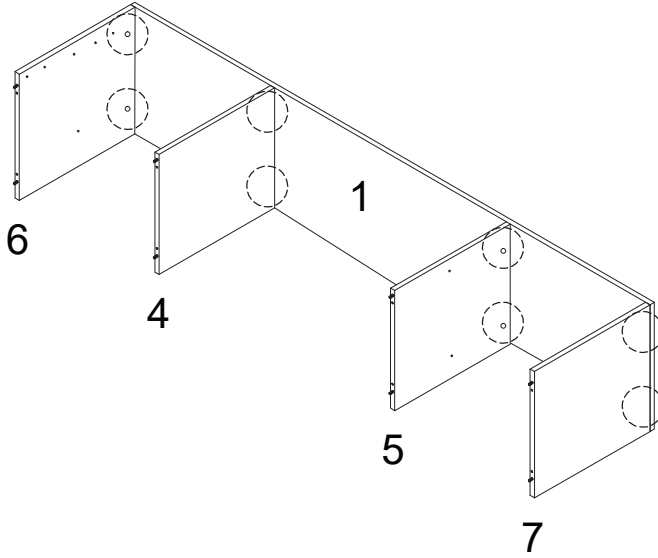


3

A3



x 8



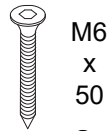
4

2



x 1

D



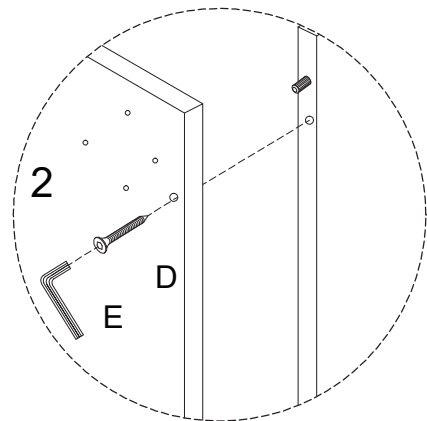
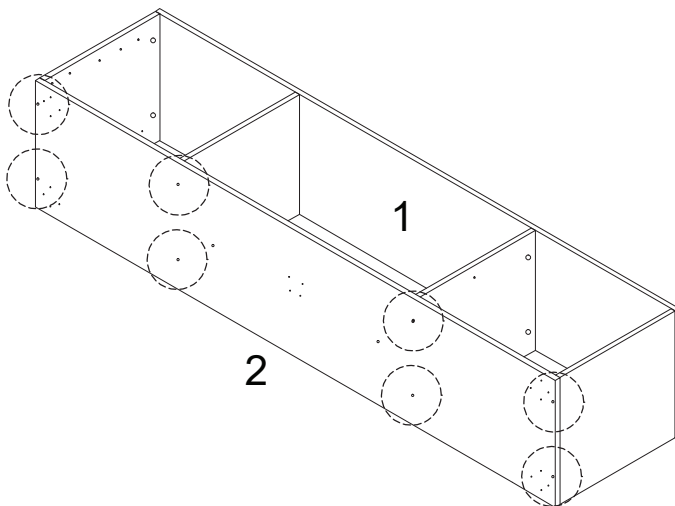
M6  
x  
50

x 8

E

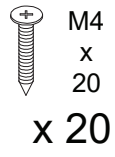


x 1

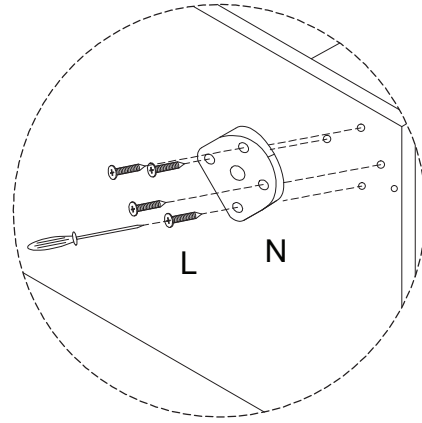
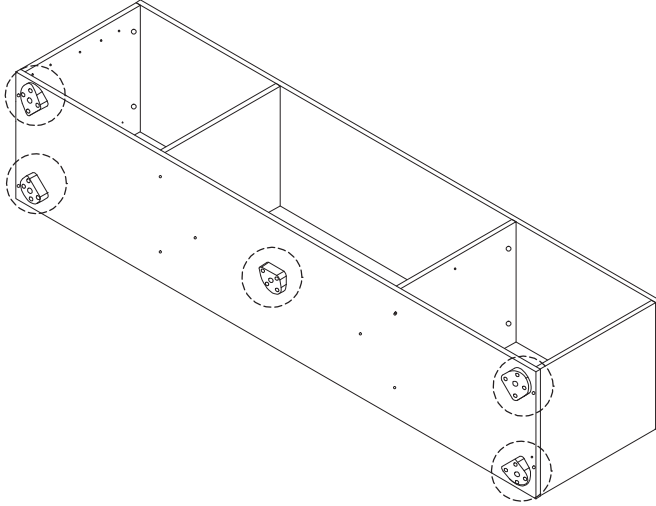
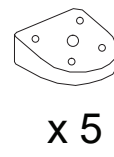


5

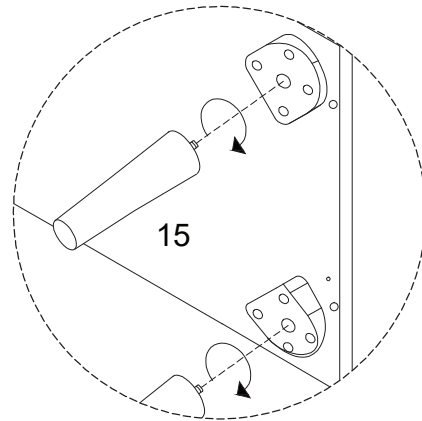
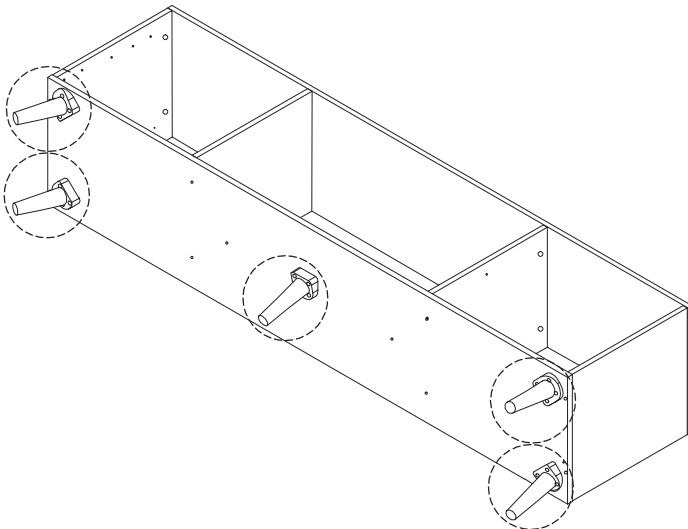
L



N

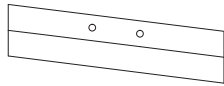


6



7

14

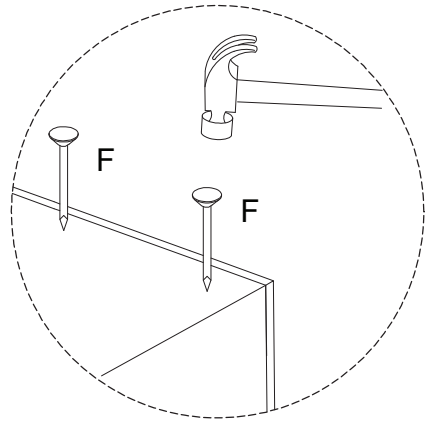
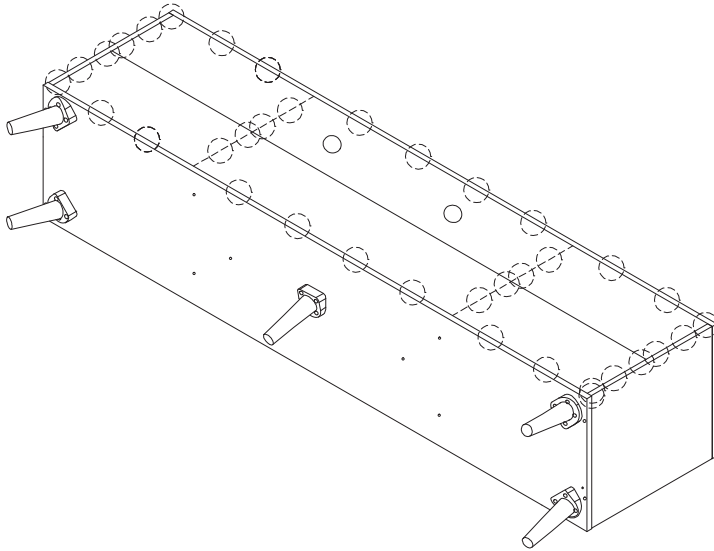


x 1

F



x 36



8

9



x 2

10



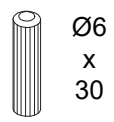
x 1

11

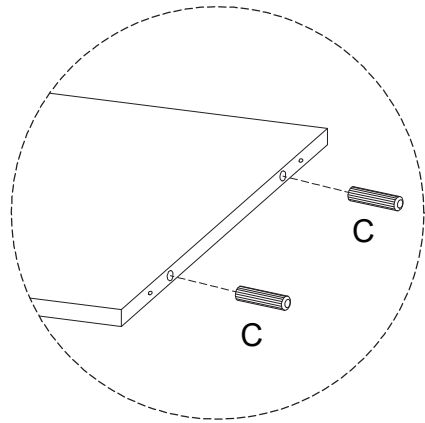
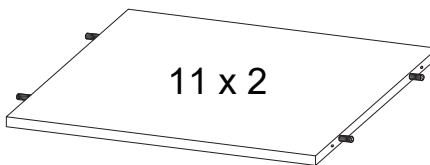
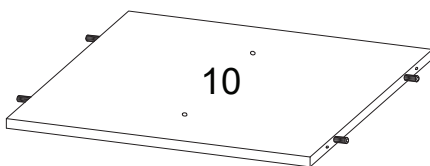
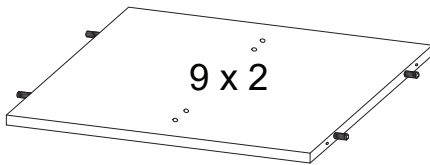


x 2

C



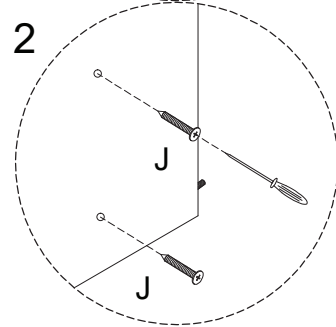
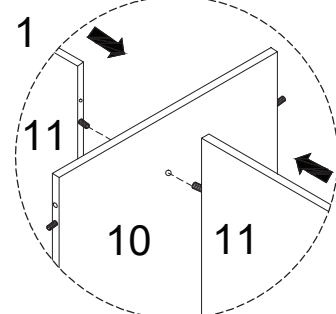
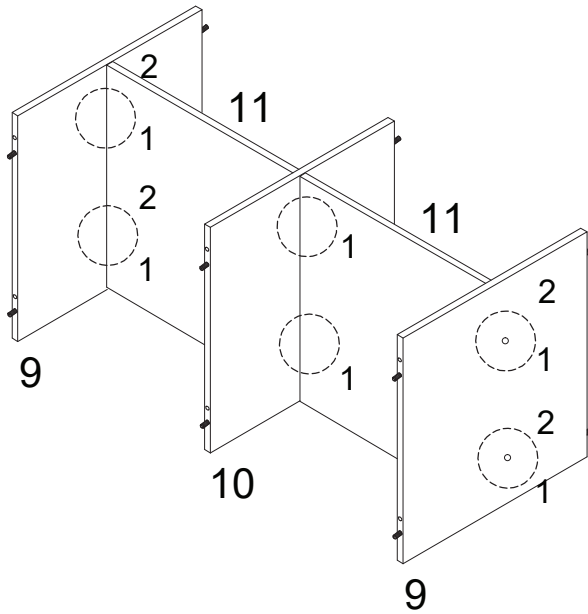
x 20



9

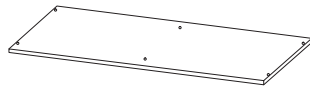
J

M4  
x  
38  
x 4



10

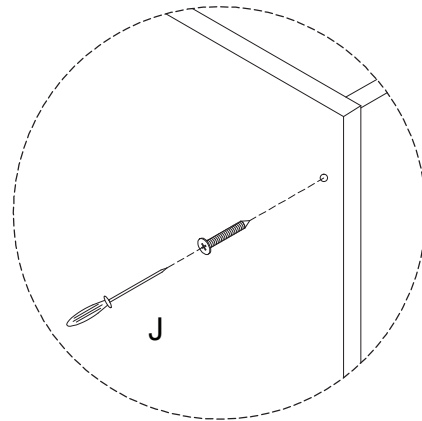
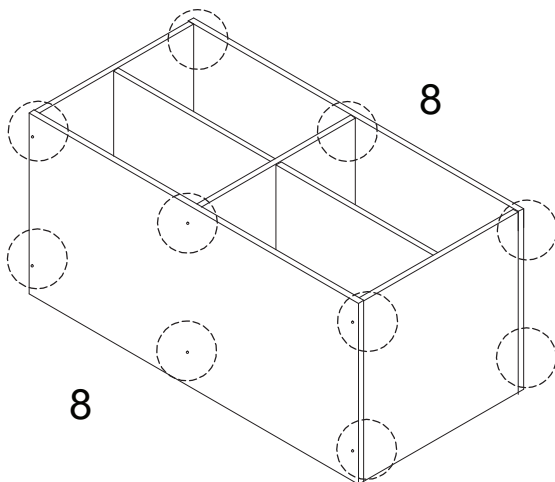
8



x 2

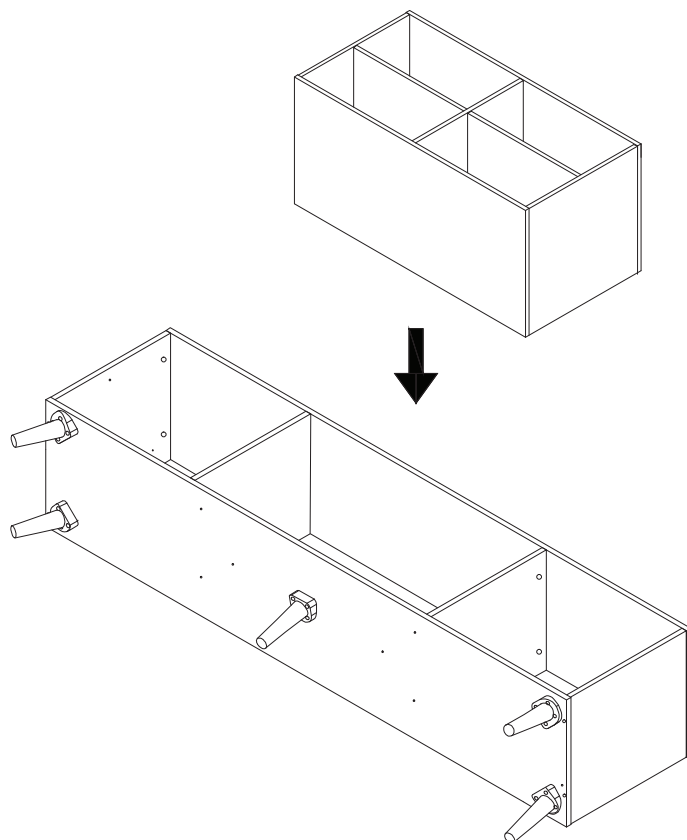
J

M4  
x  
38  
x 12





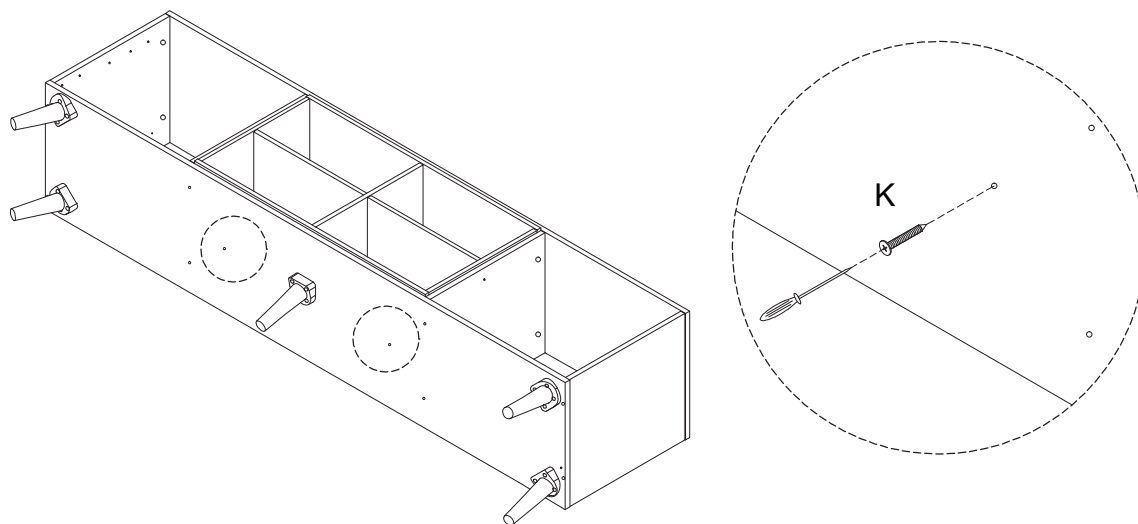
11



12

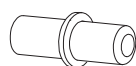
K

M4  
x  
25  
x 2

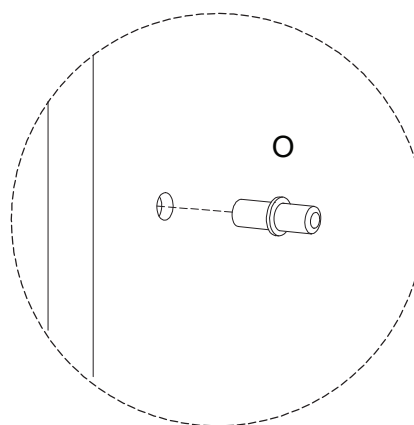
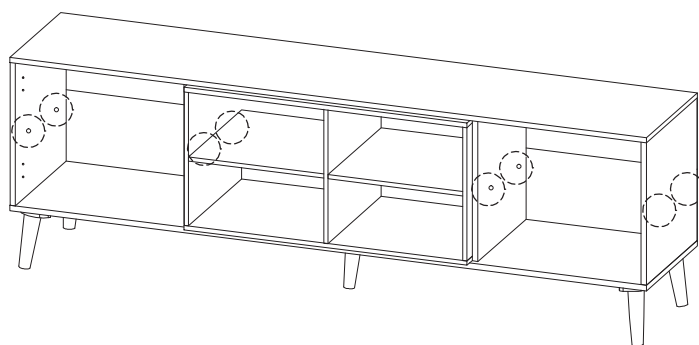


13

O



x 8

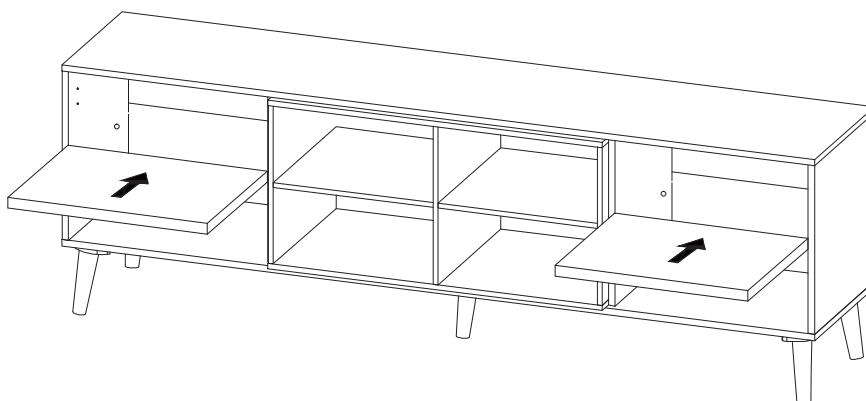


14

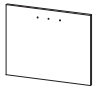
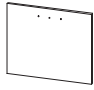




3

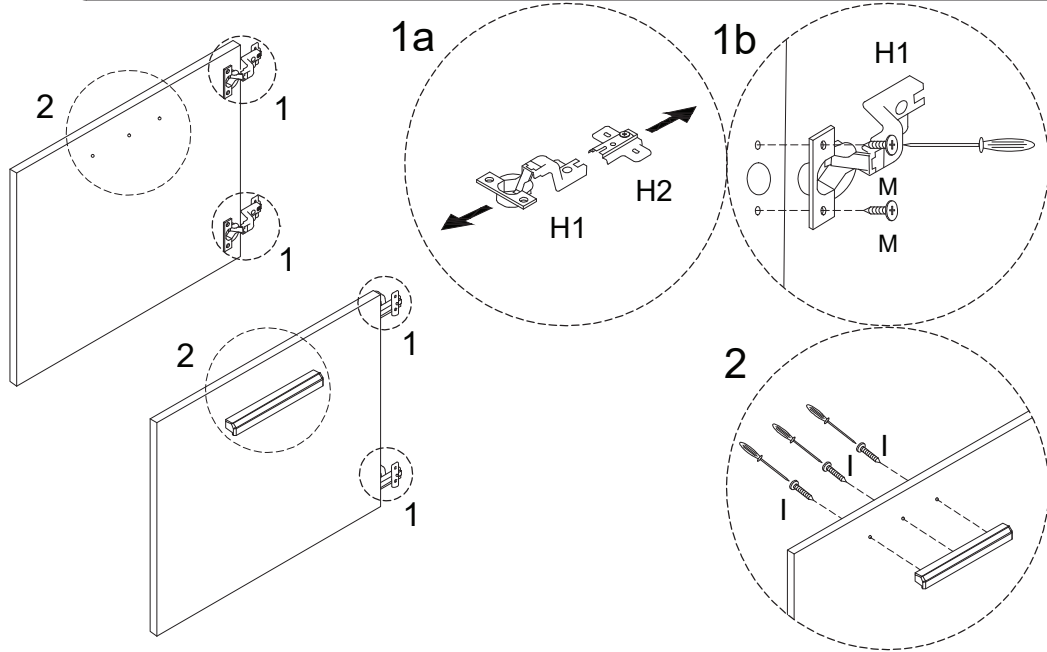


x 2




15

12  x 1	13  x 1	G  x 2	H  x 4	I  M4 x 32 x 6	M  M3.5 x 16 x 8
------------------------------------------------------------------------------------------------	------------------------------------------------------------------------------------------------	-----------------------------------------------------------------------------------------------	------------------------------------------------------------------------------------------------	------------------------------------------------------------------------------------------------------------------	--------------------------------------------------------------------------------------------------------------------



16

M  M3.5 x 16 x 8
--------------------------------------------------------------------------------------------------------------------

