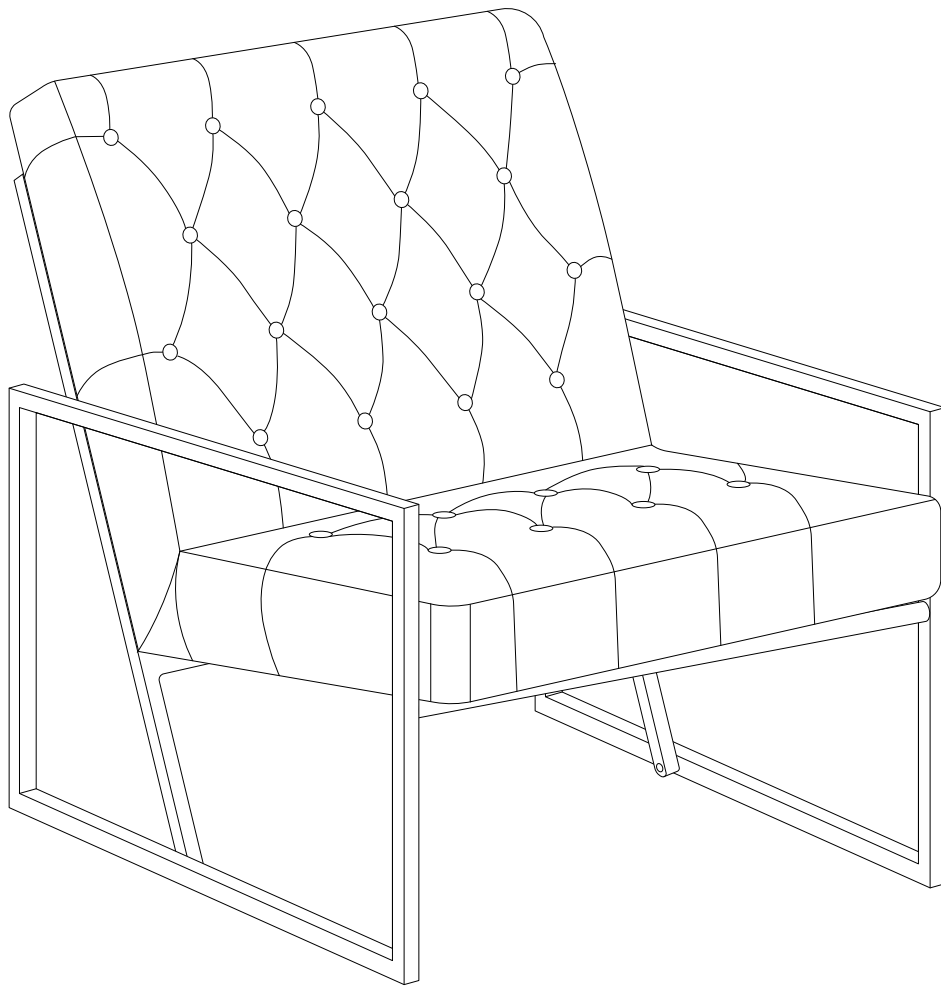
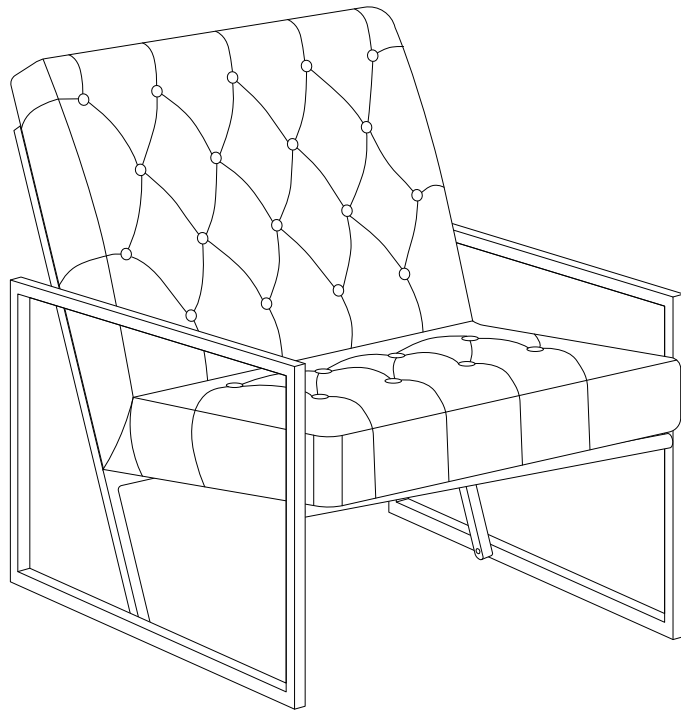




# HARSTAD

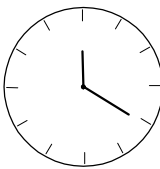


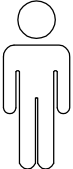


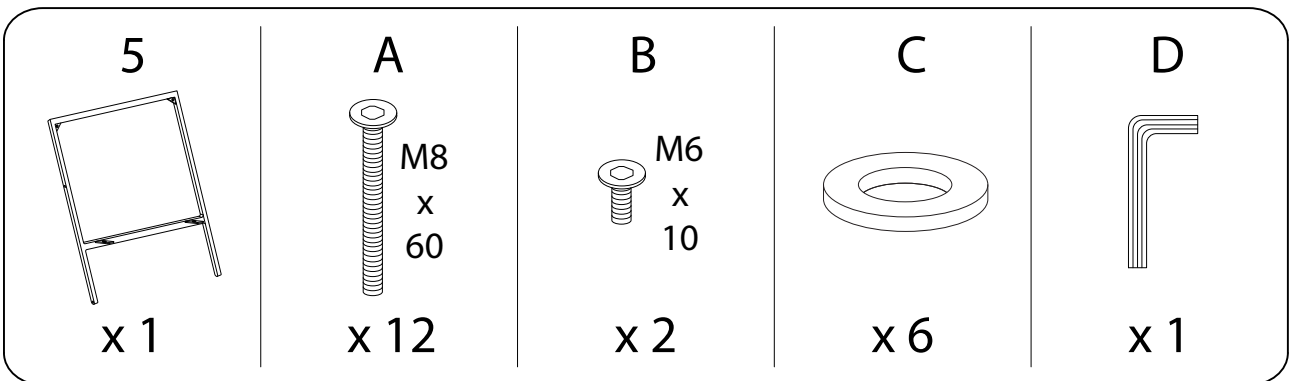
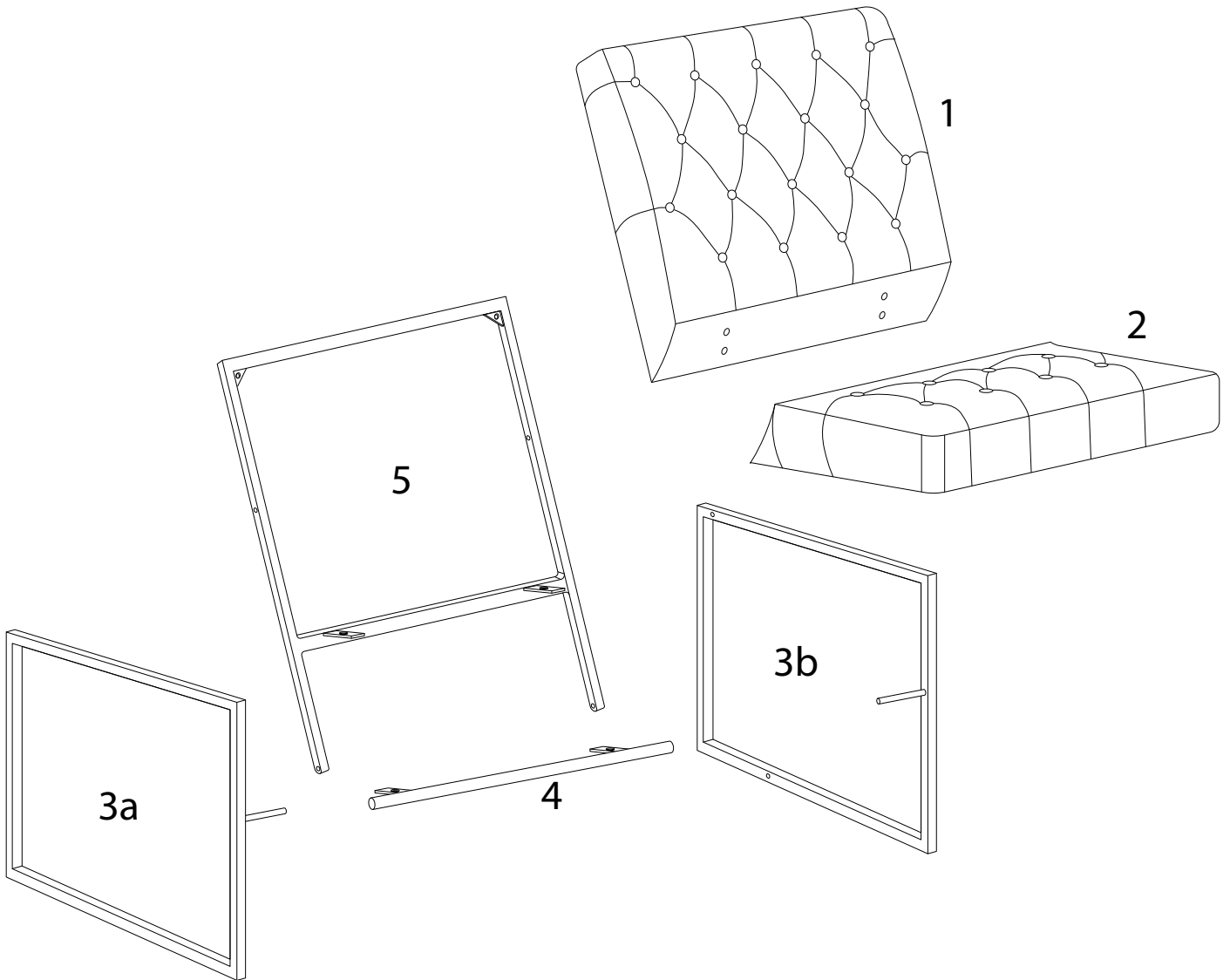
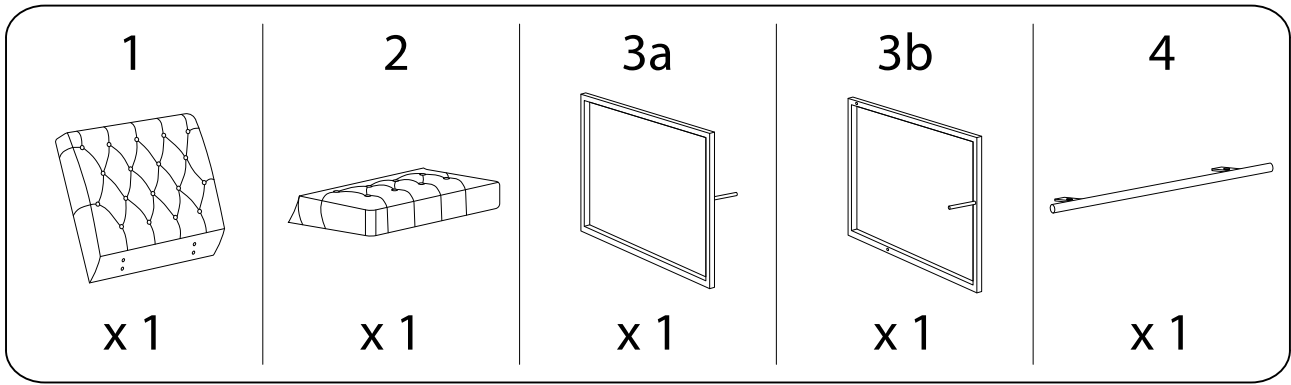
Assembly instructions for the chair, including warnings, time, and person count.

**Warning 1:** Do not use a power drill. Use an Allen key (shown in a circle) to tighten the screws. 

**Warning 2:** Do not place the chair on a soft surface like a rug. Place it on a hard, flat surface. 

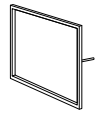
**Time:** 20' 

**Person Count:** 1 



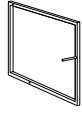
1

3a



x 1

3b



x 1

4



x 1

B

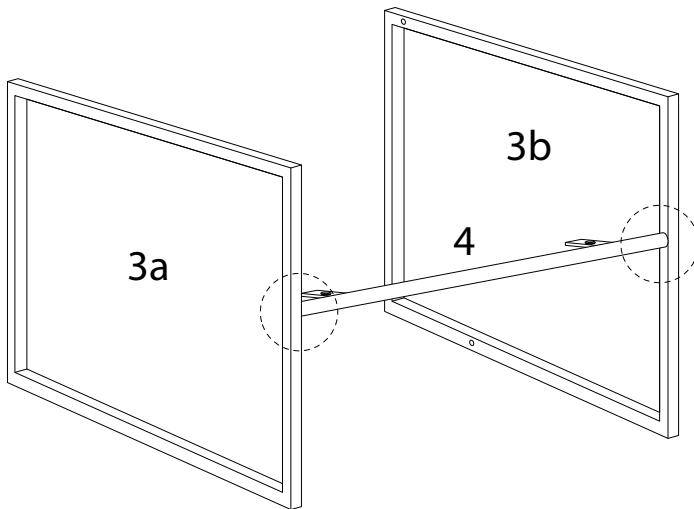


x 2

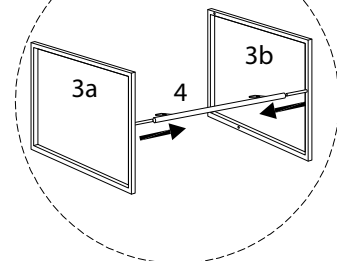
D



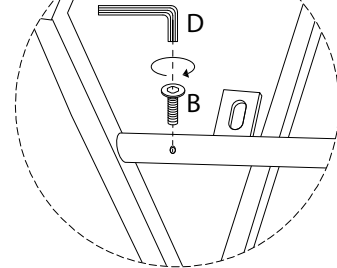
x 1



1a

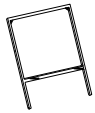


1b



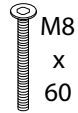
2

5



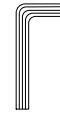
x 1

A

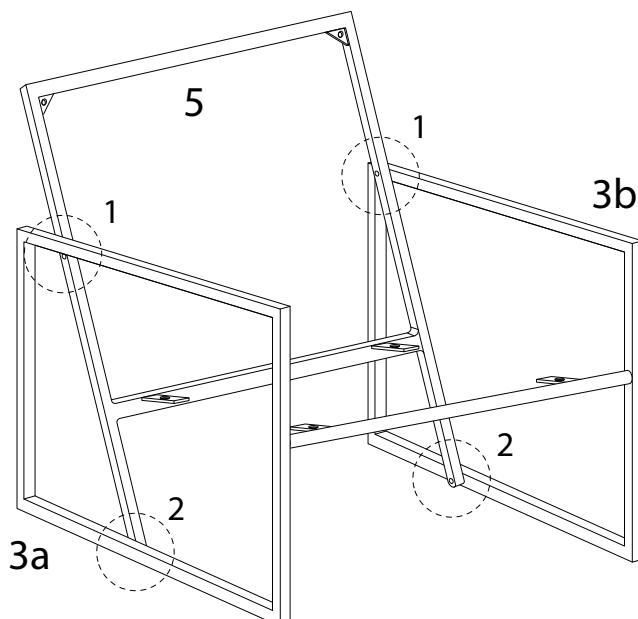


x 4

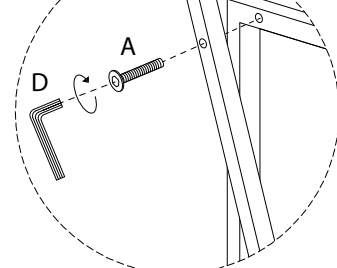
D



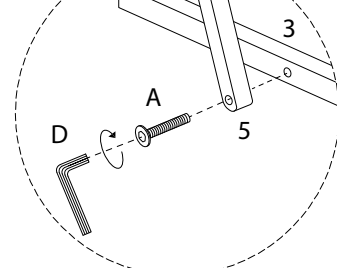
x 1



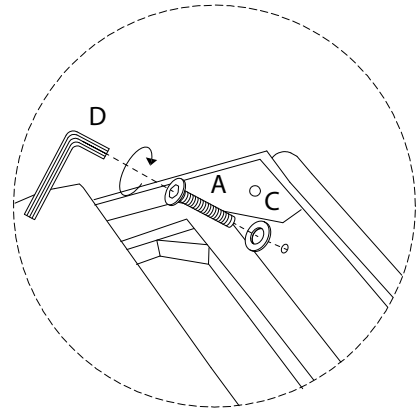
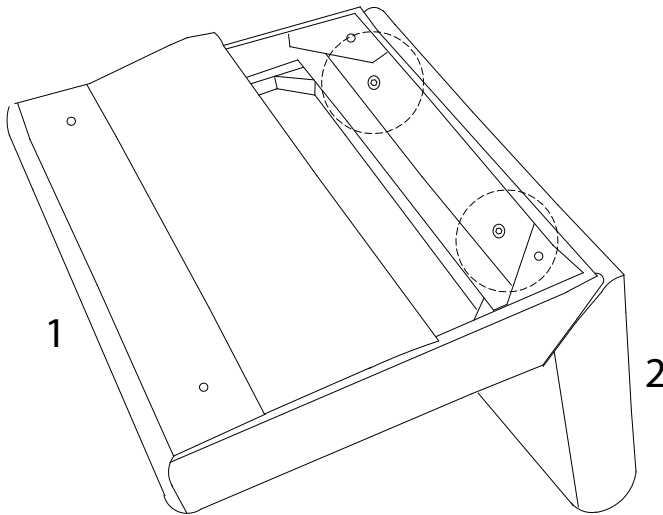
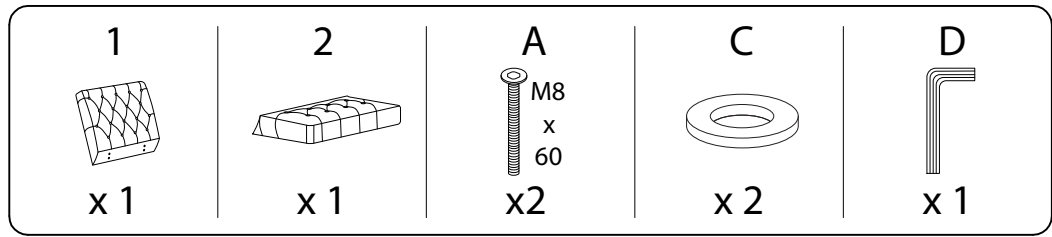
1



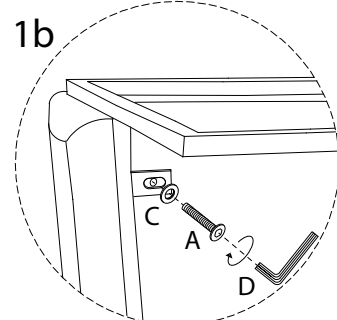
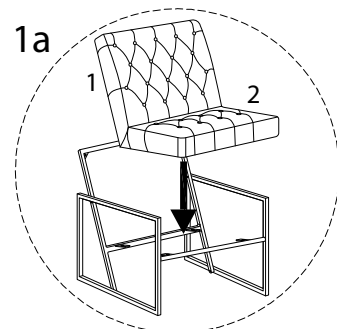
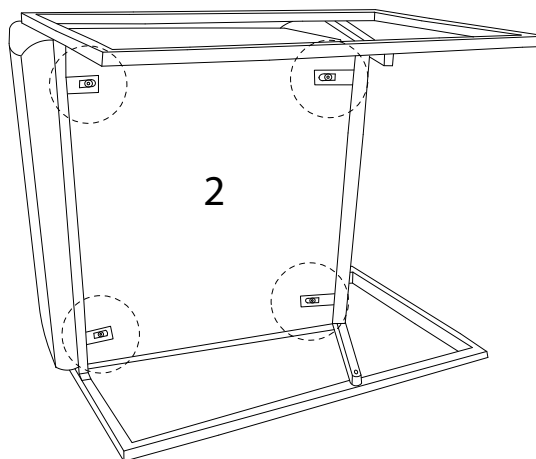
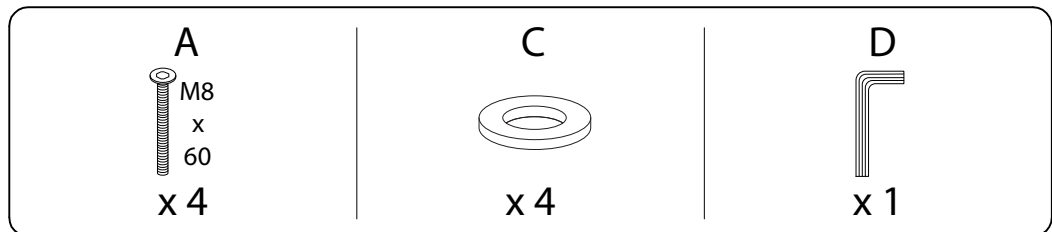
2



3



4



5

A  
M8  
x  
60  
x 2

D  
x 1

