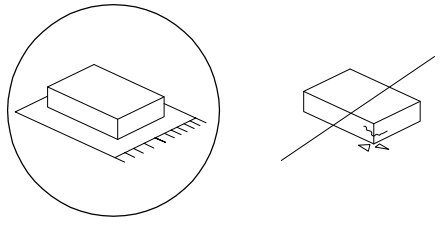


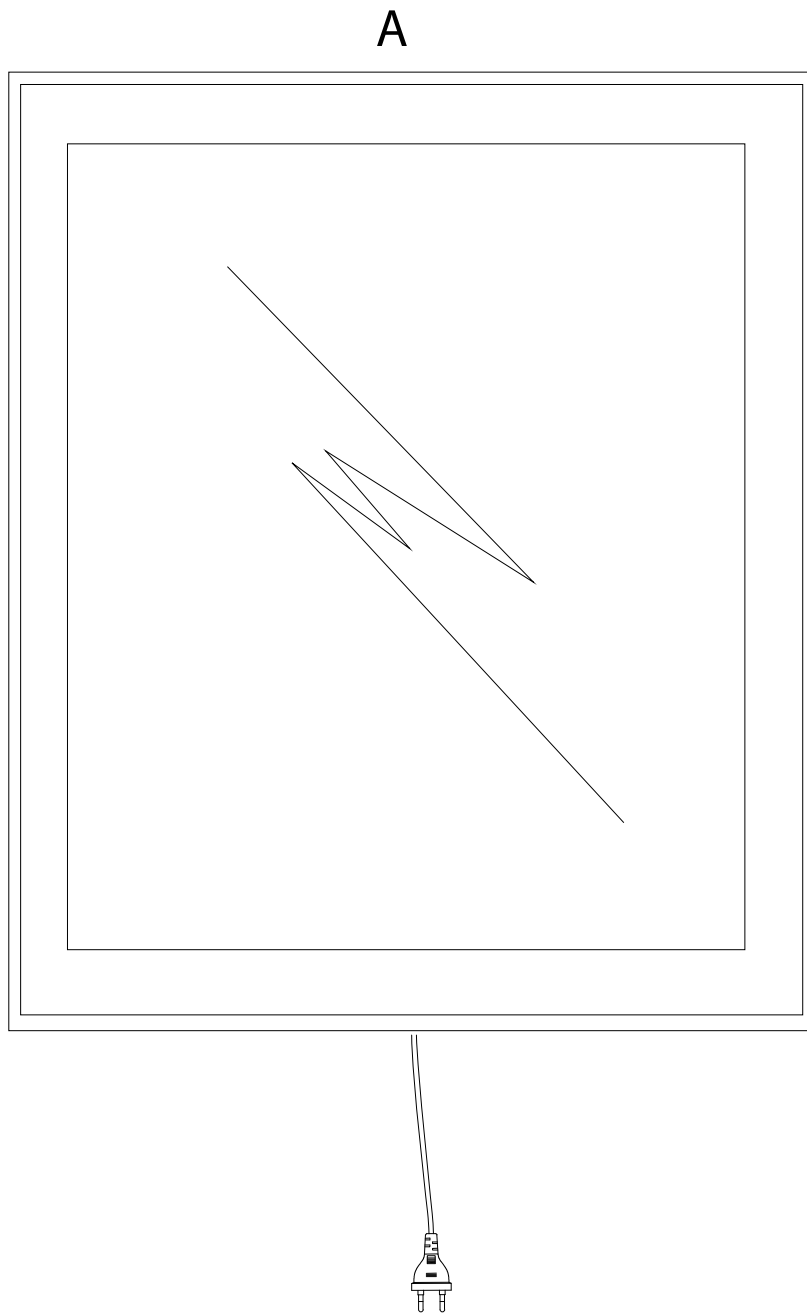
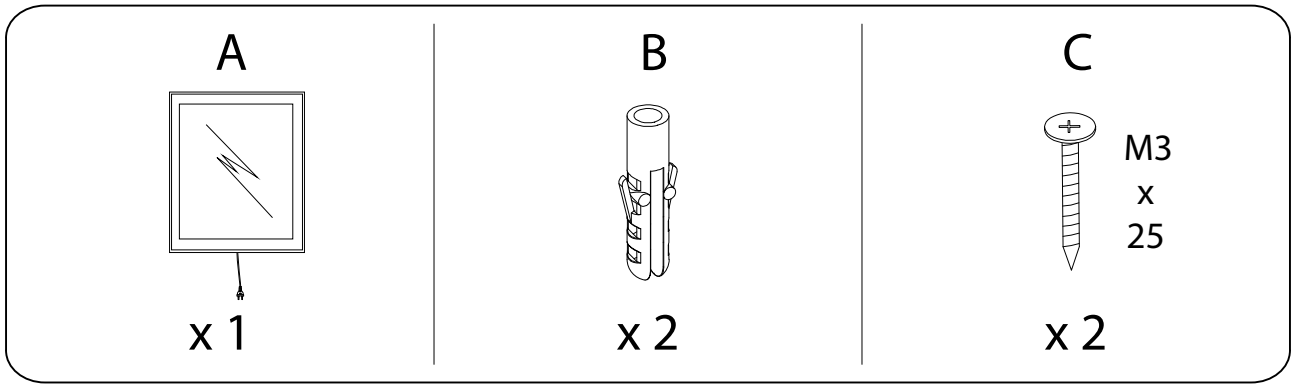
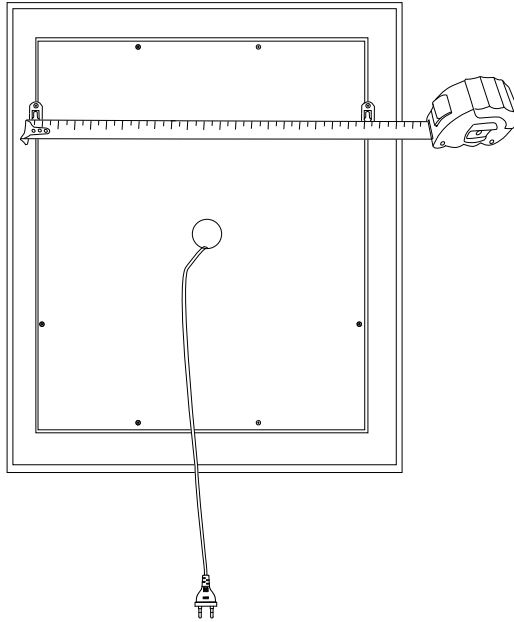
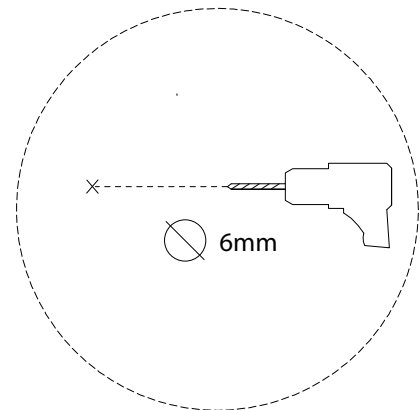
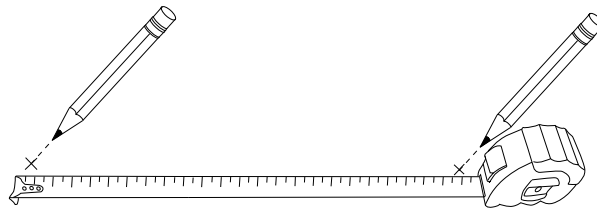

		10'
		
		1




1




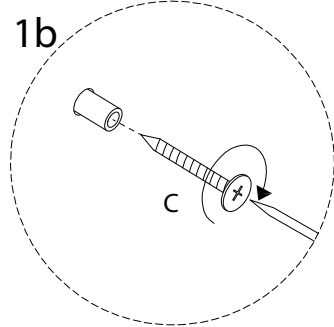
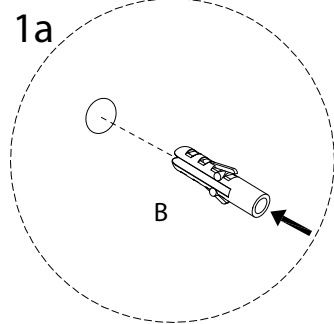
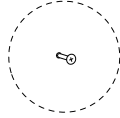
2



3

B

x 2

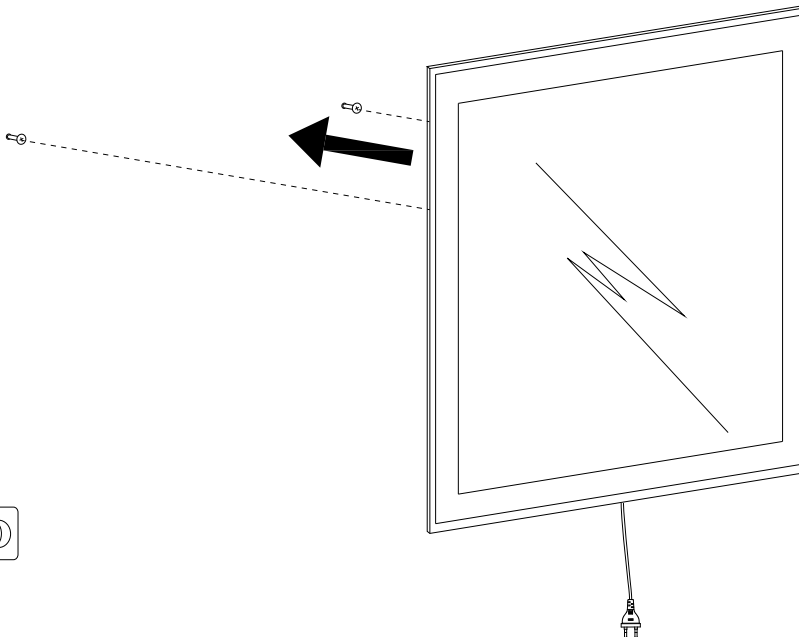
C

M3
x 25
x 2



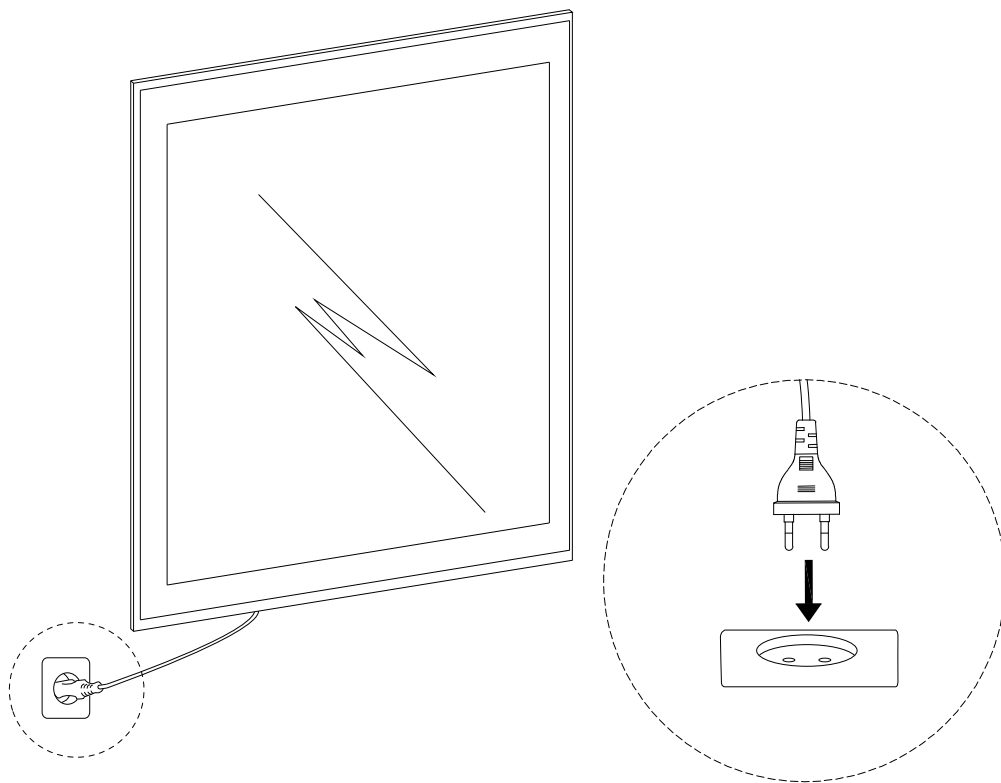
4

A

x 1



5



!

