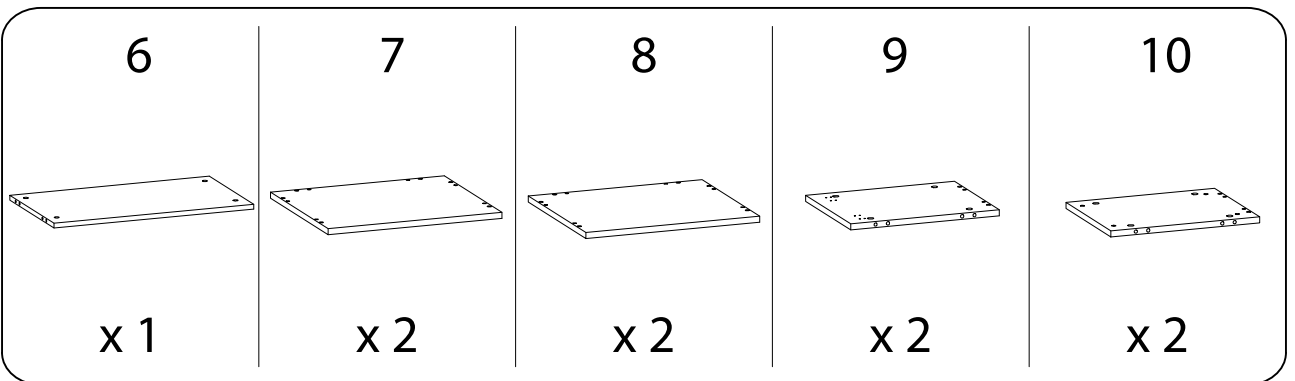
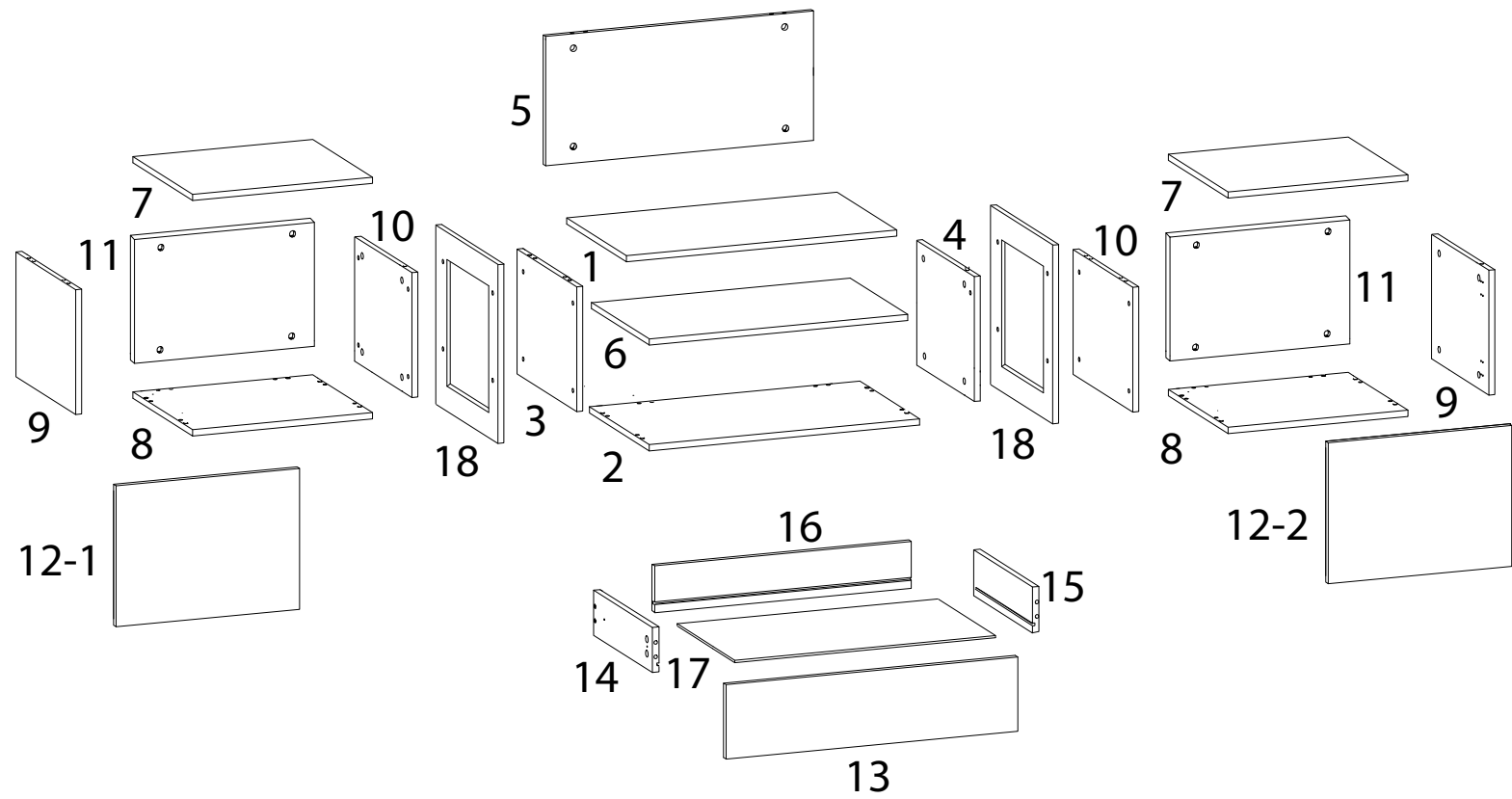
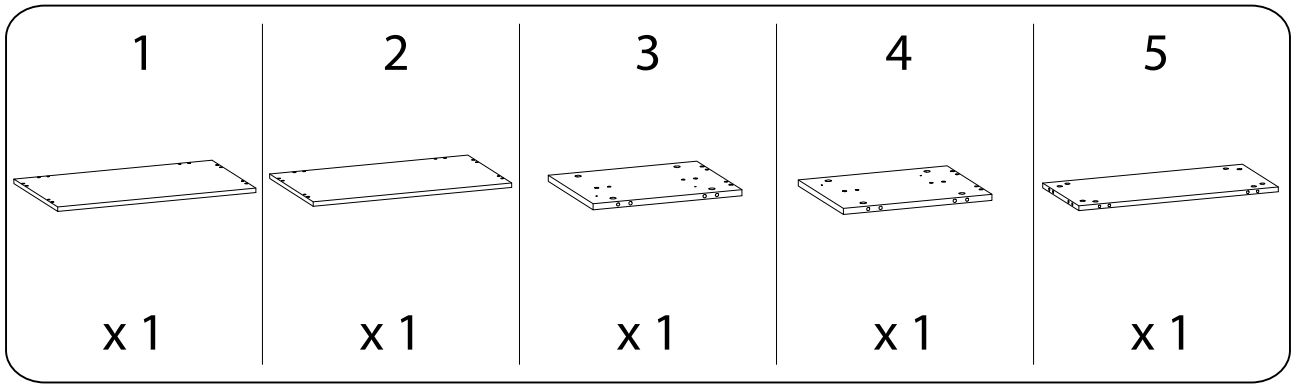
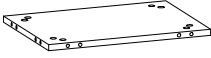



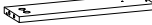




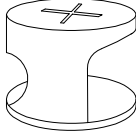

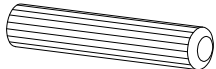
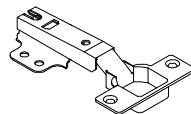


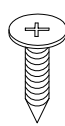
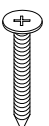
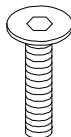
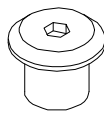
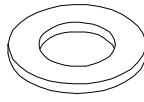

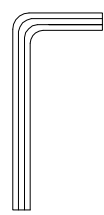
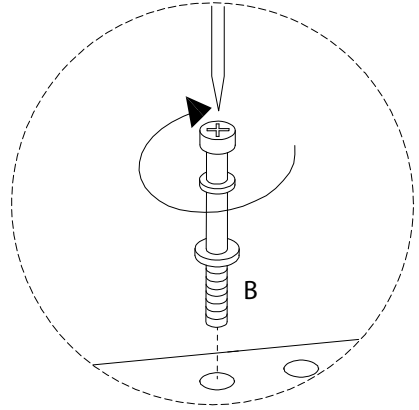
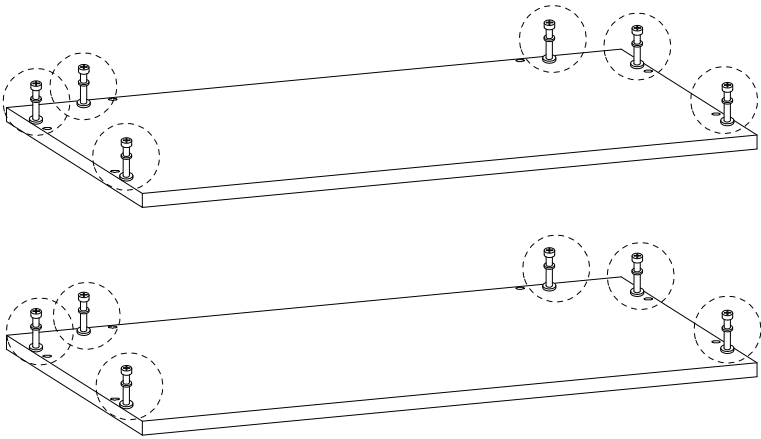
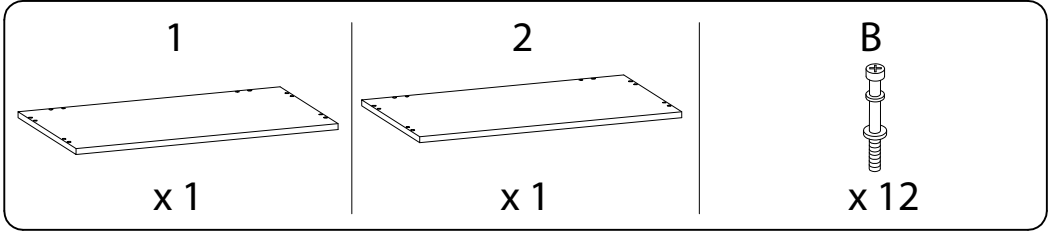

		1

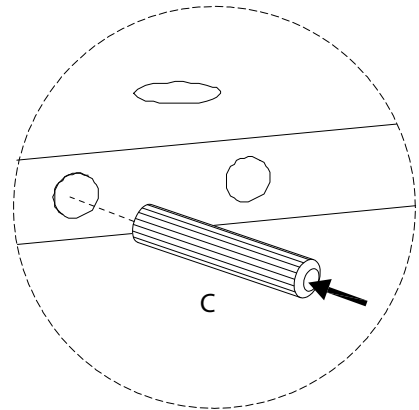
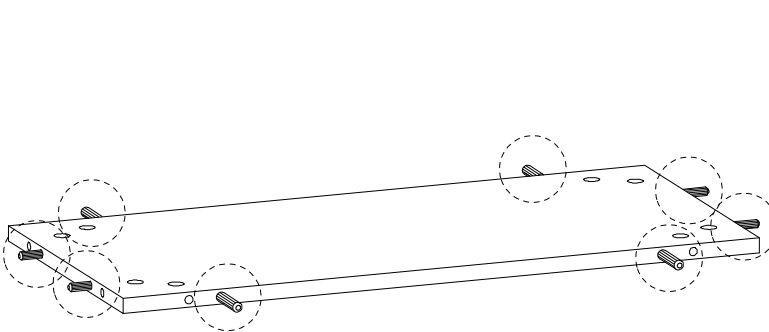
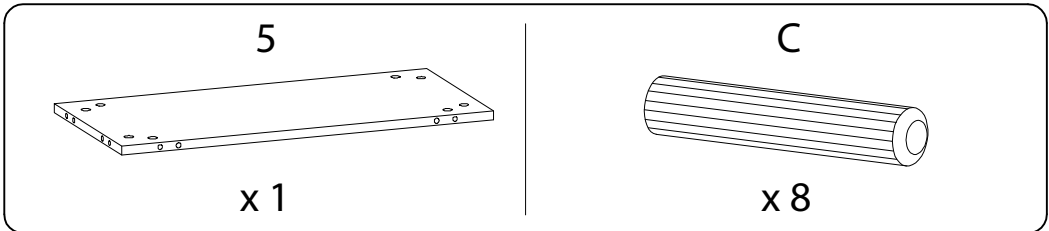


11  x 2	12-1  x 2	12-2  x 1	13  x 1	14  x 1
15  x 1	16  x 1	17  x 1	18  x 2	A  x 56
B  x 56	C  x 52	D  x 4	E  x 2	F  x 2
G  M3.5 x 14 x 32	H  M3.5 x 35 x 4	I  M8 x 25 x 8	J  x 8	K  x 8
L  x 1	M  x 1			

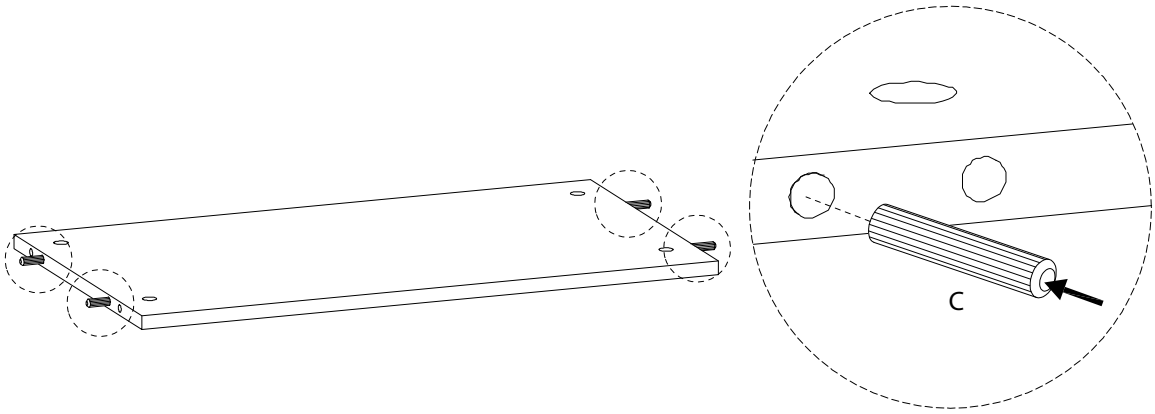
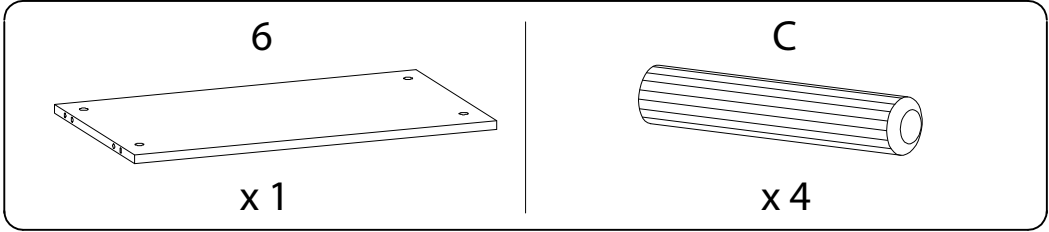
1



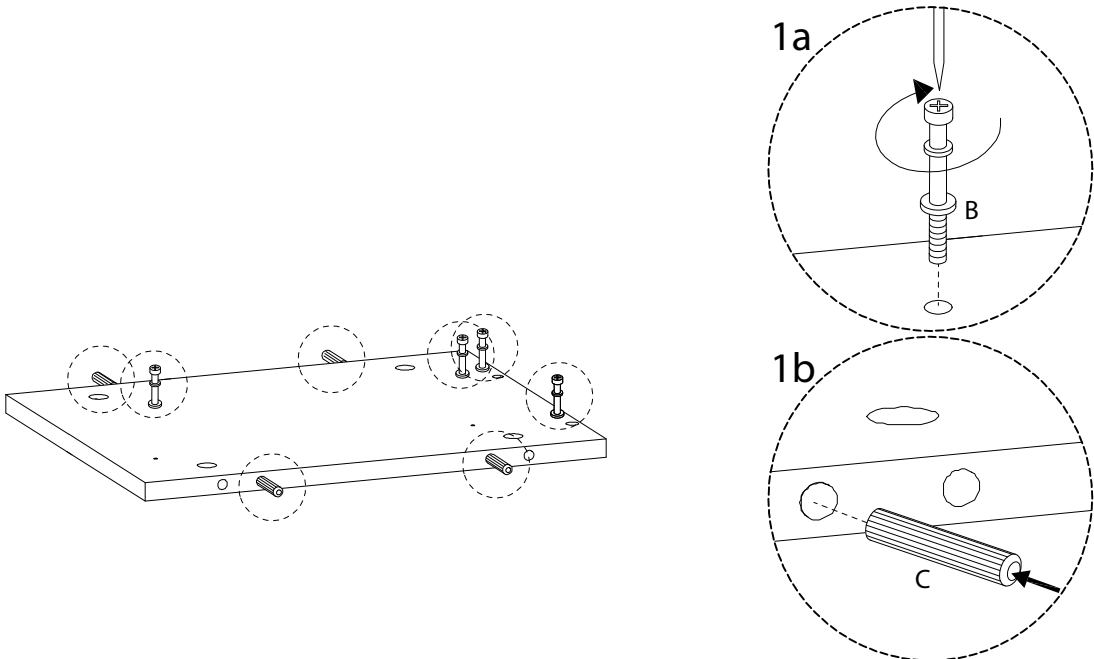
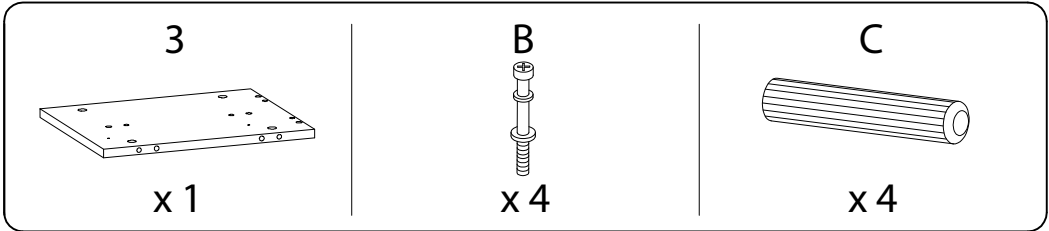
2



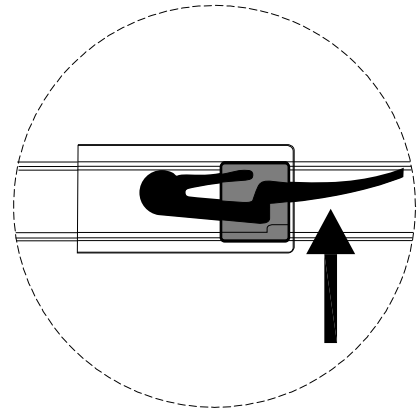
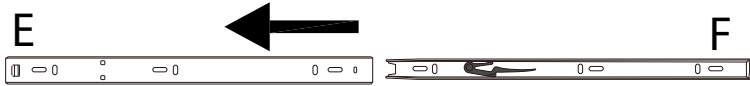
3



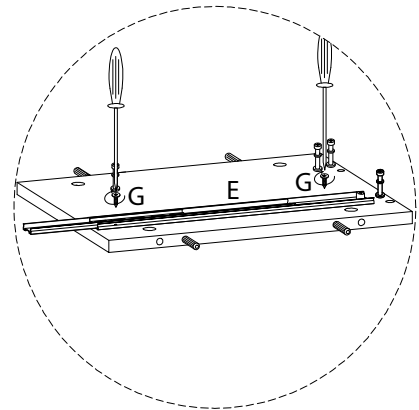
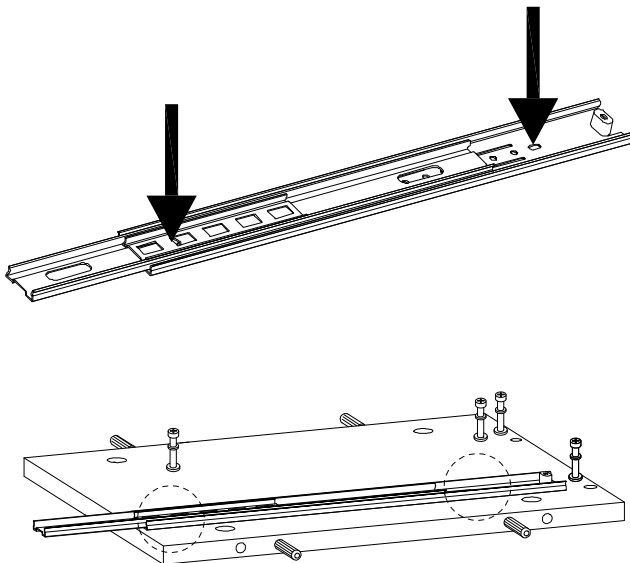
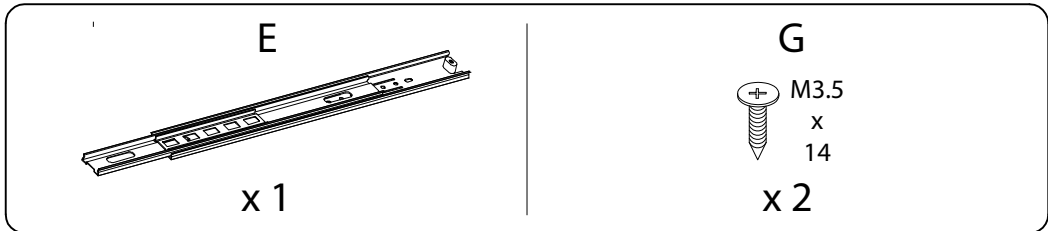
4



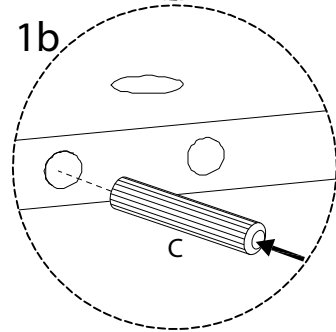
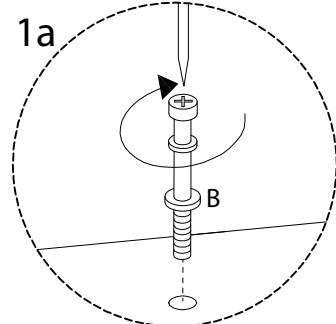
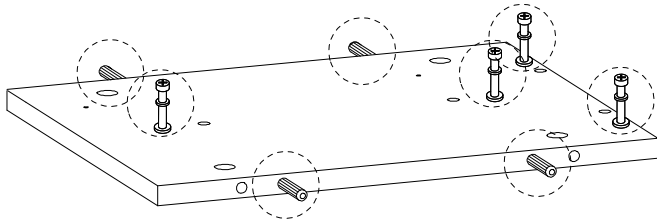
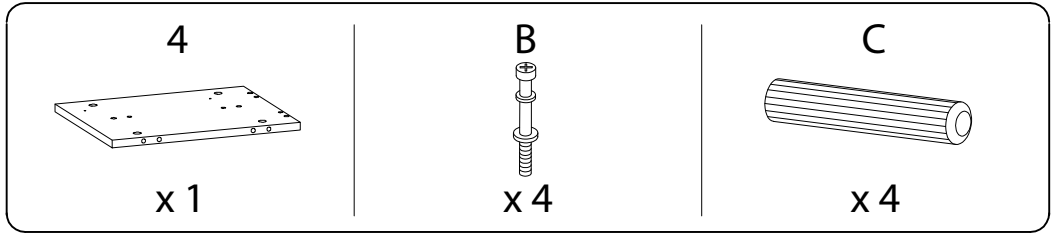
!



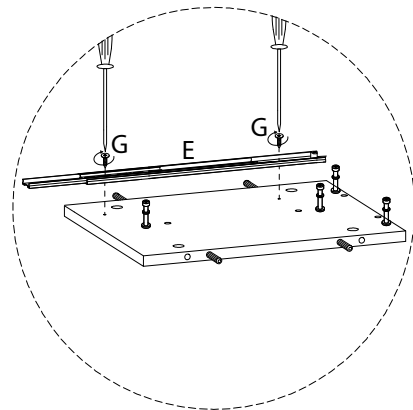
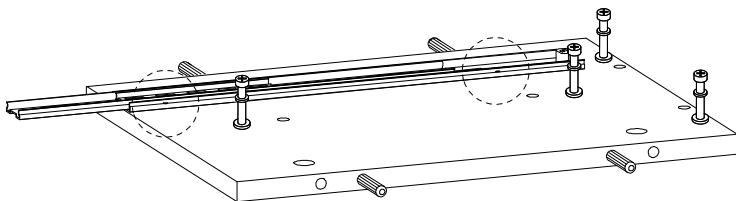
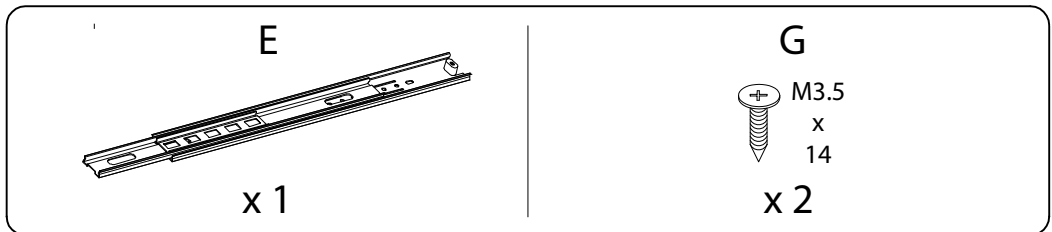
5



6



7

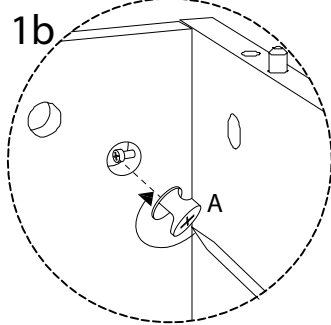
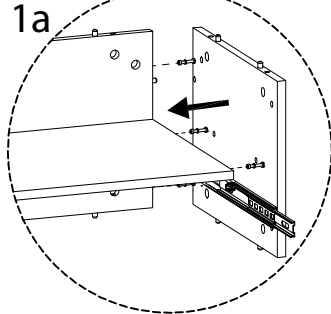
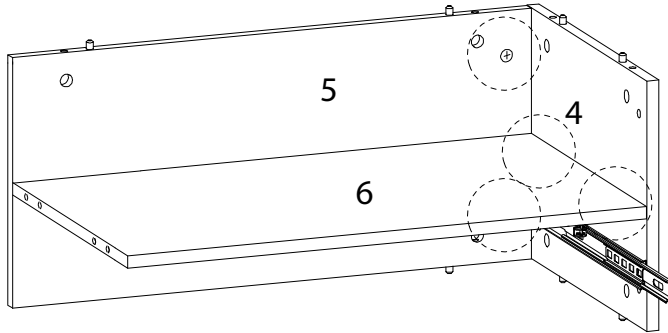


8

A



x 4

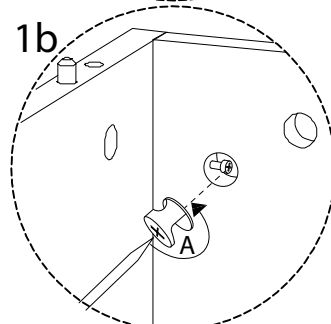
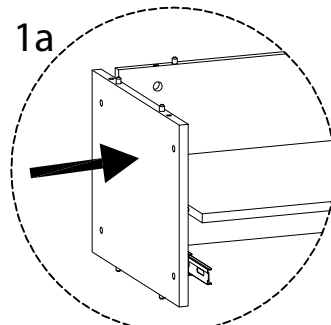
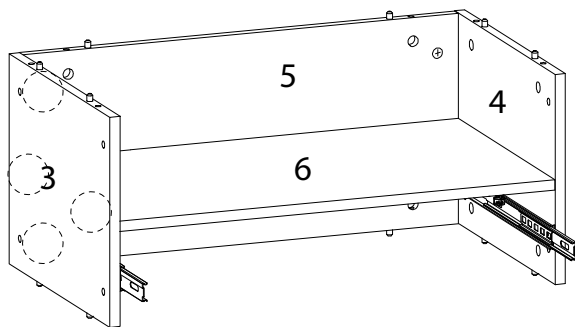


9

A



x 4

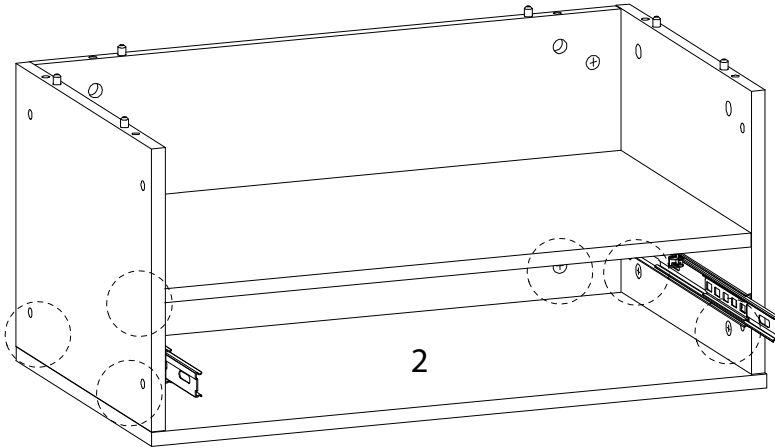


10

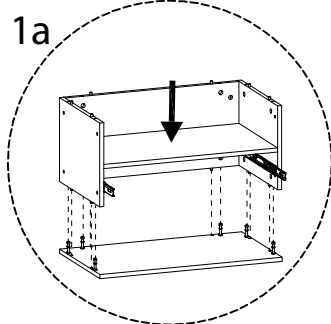
A



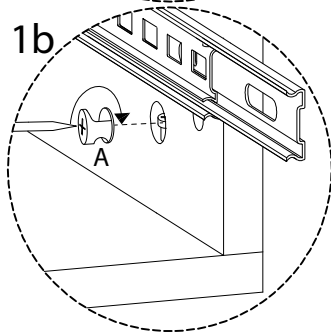
x 6



1a



1b

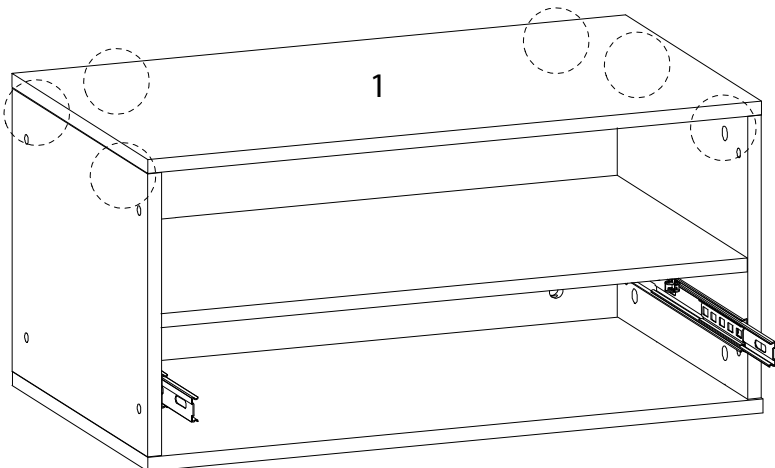


11

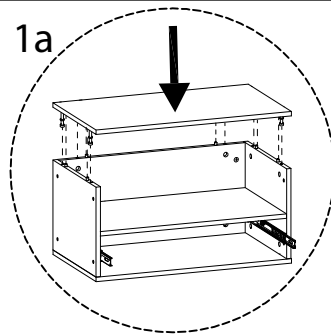
A



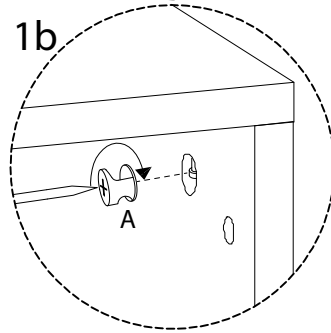
x 6



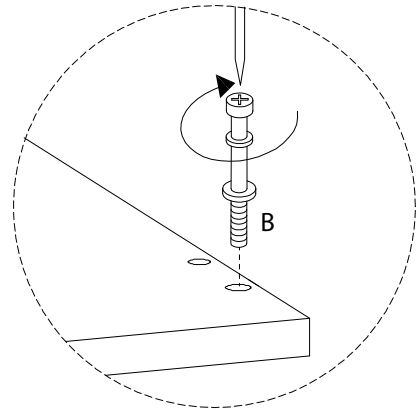
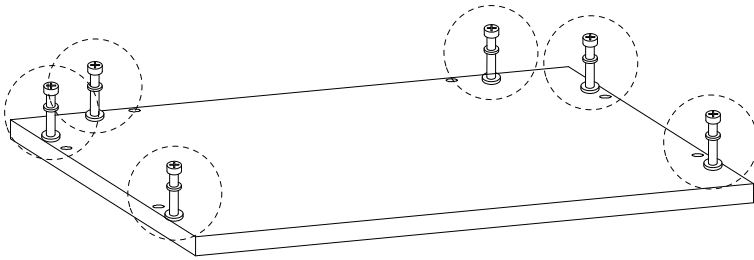
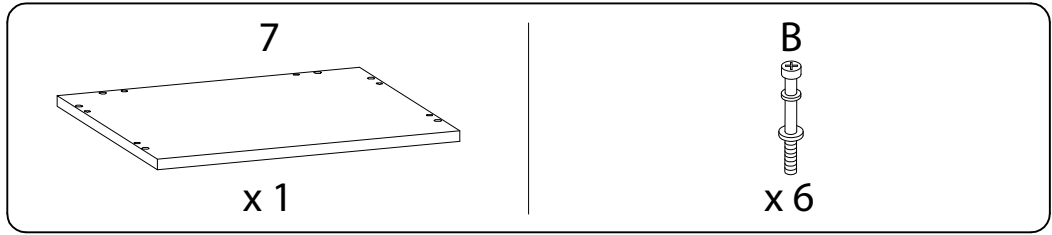
1a



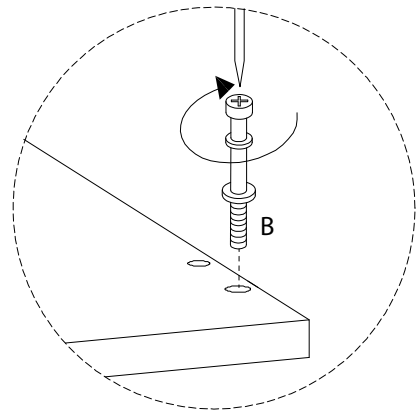
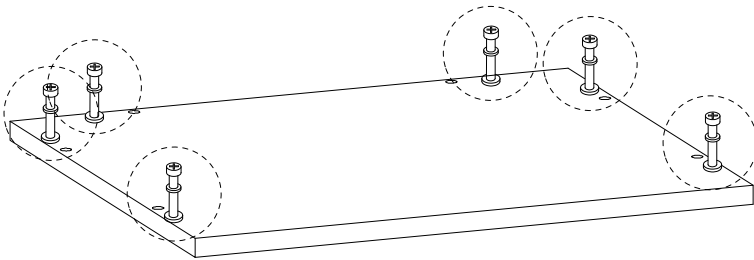
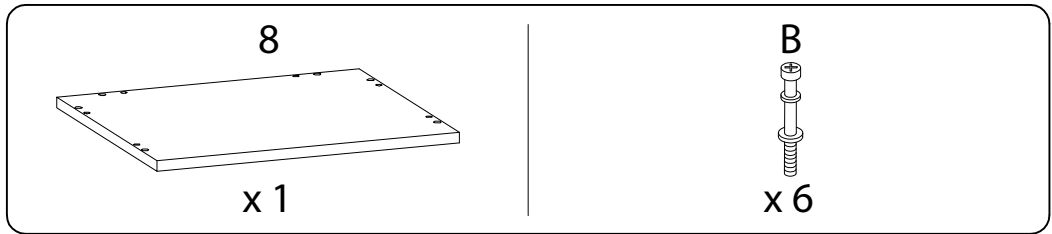
1b



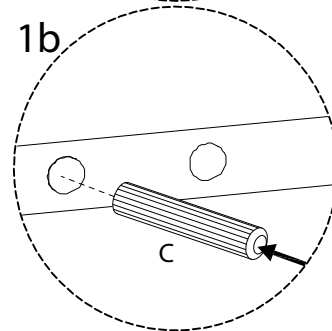
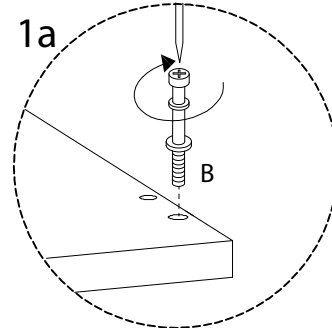
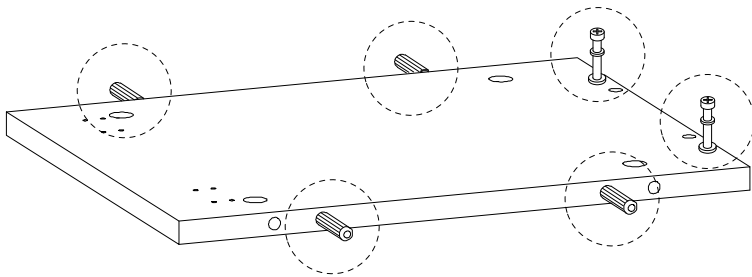
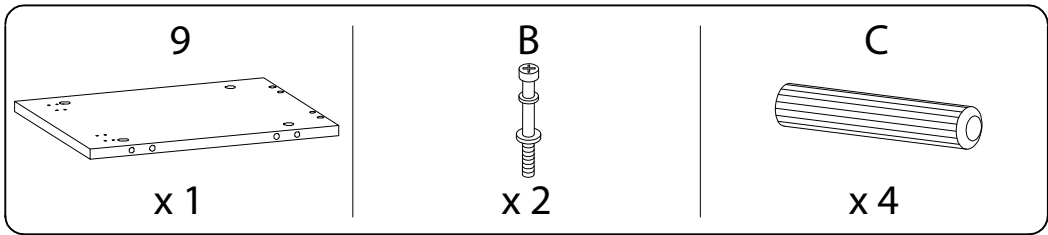
12 x2



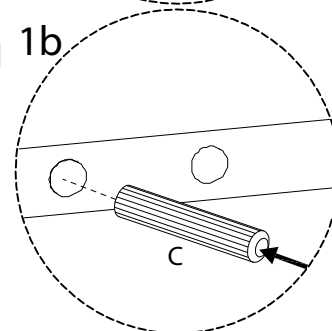
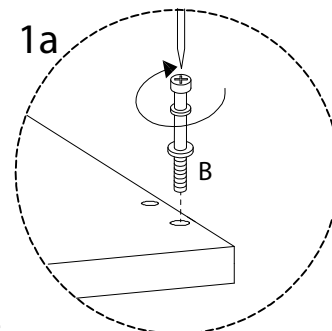
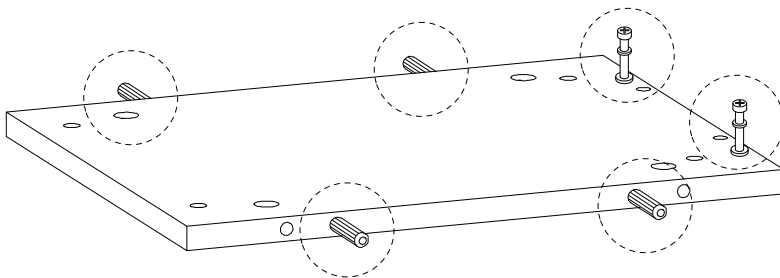
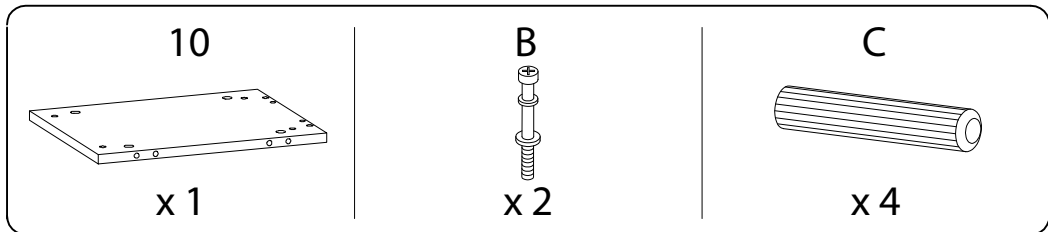
13 x2



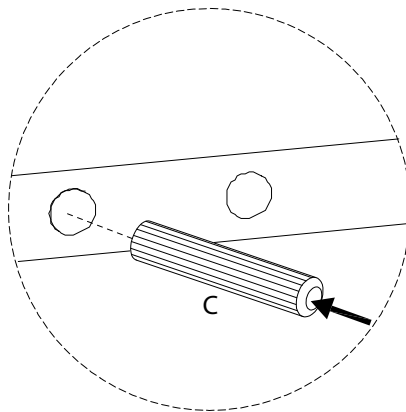
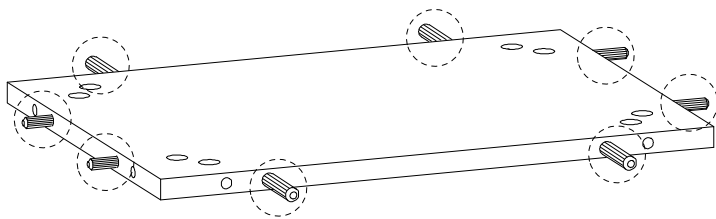
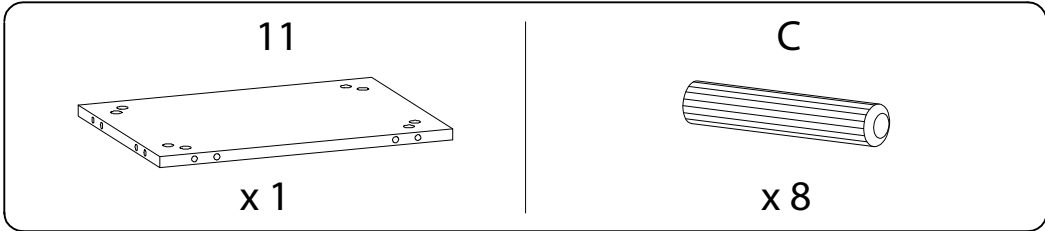
14 x2



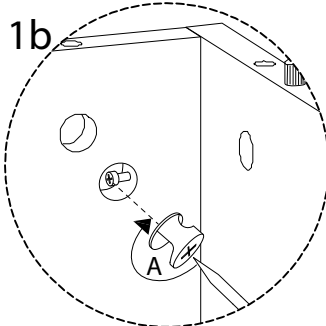
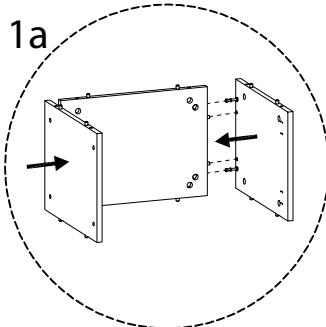
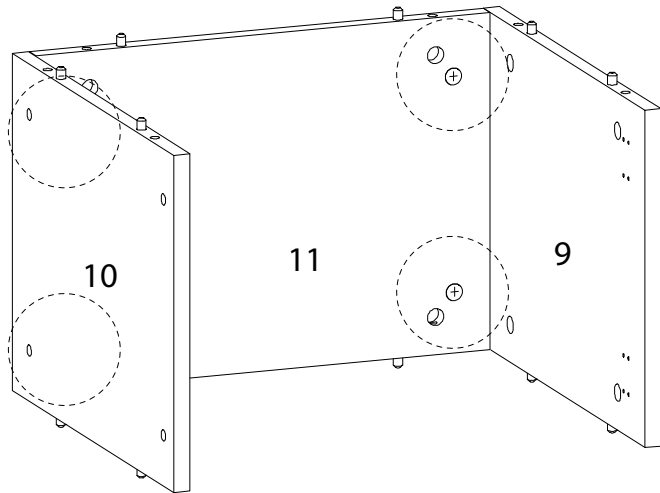
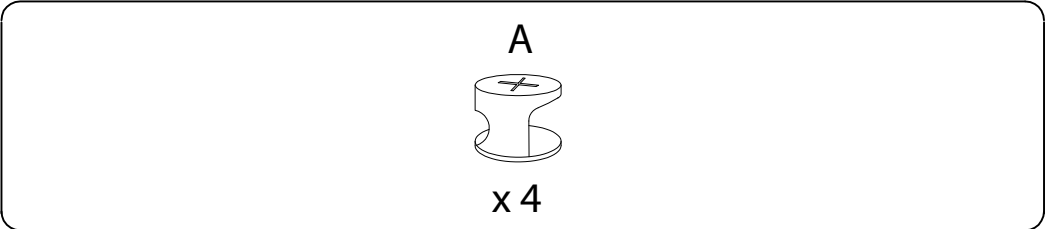
15 x2



16 x 2

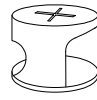


17

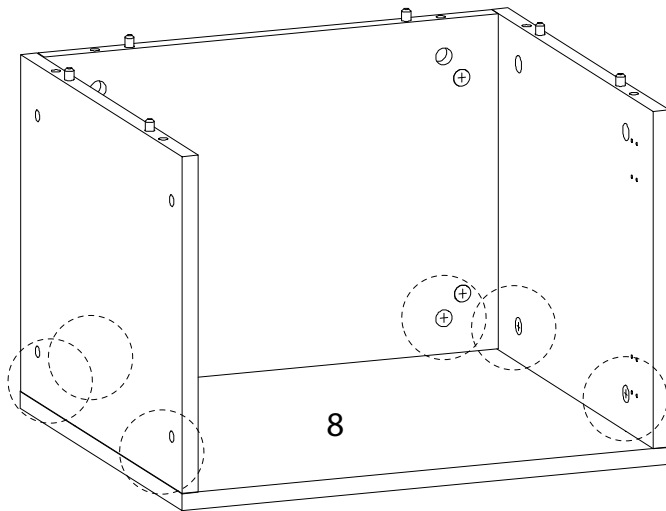


18

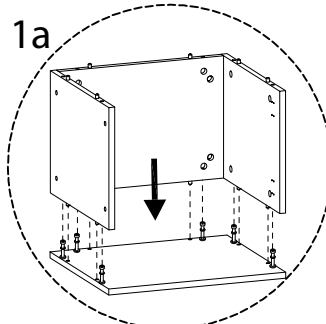
A



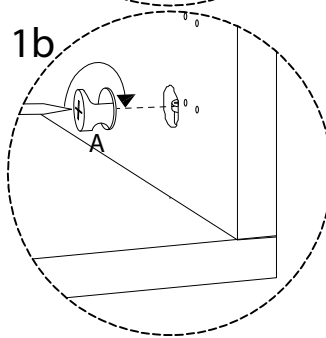
x6



1a



1b

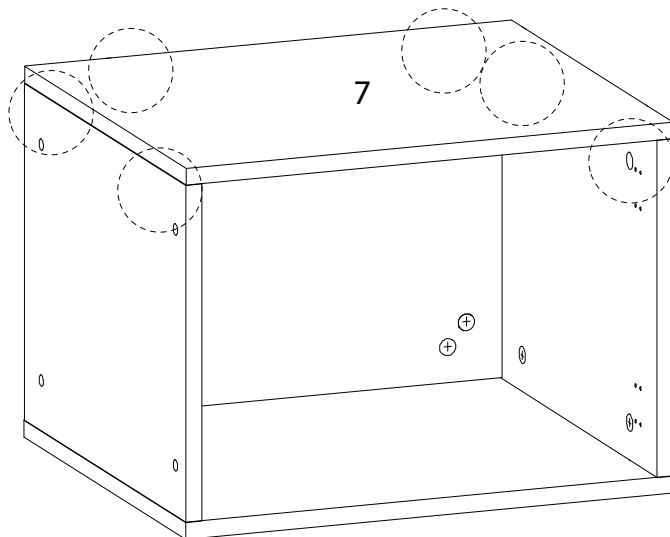


19

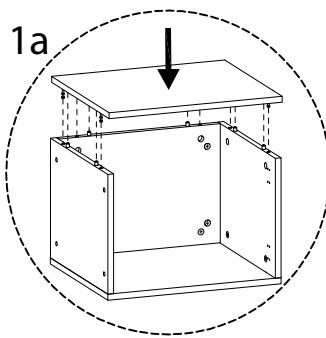
A



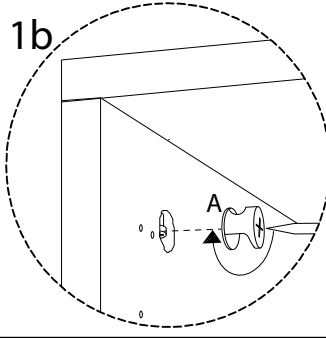
x6



1a



1b

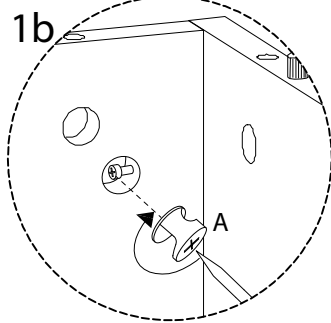
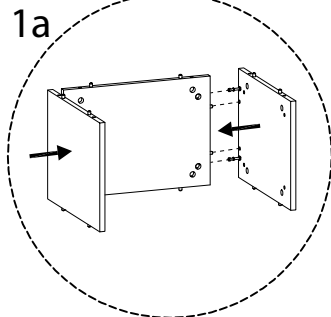
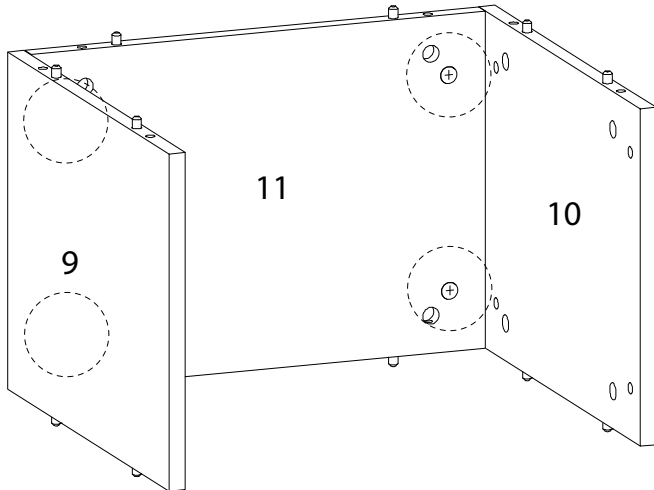


20

A



x 4

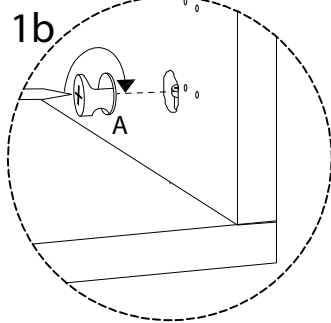
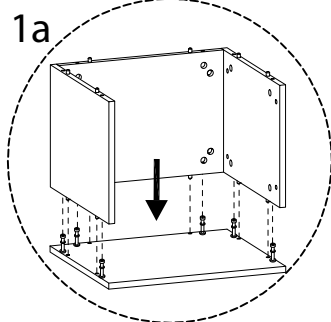
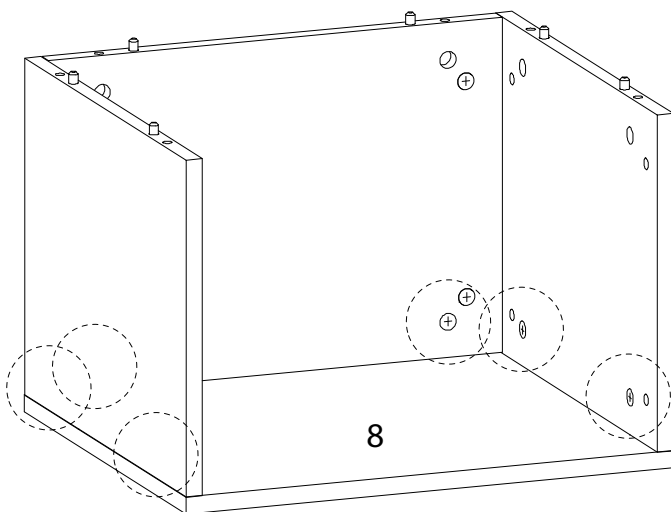


21

A



x 6

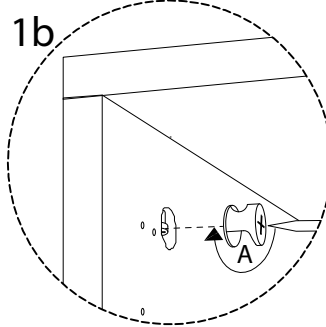
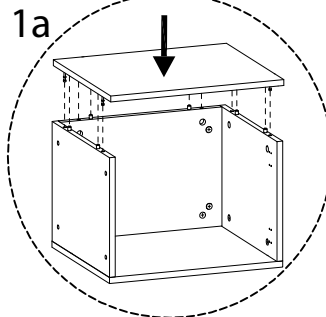
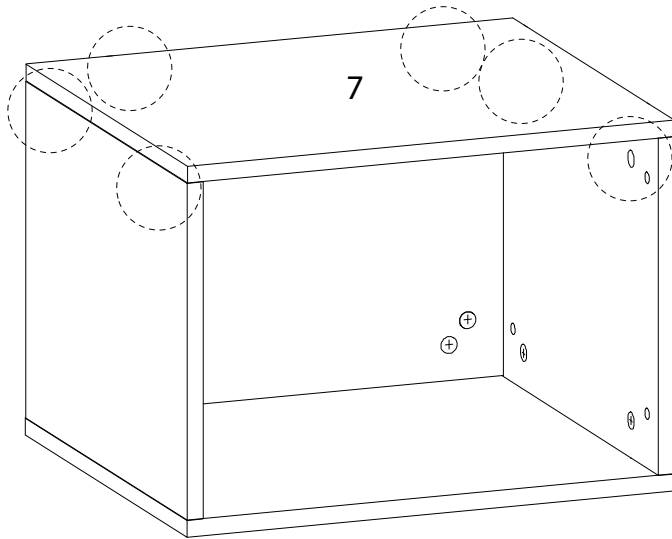


22

A



x6



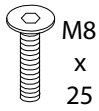
23

18



x1

I



x4

J



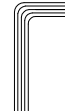
x4

K



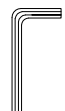
x4

L

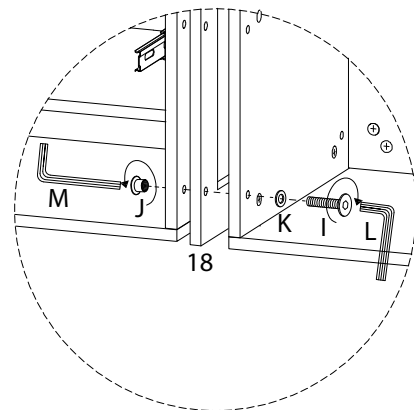
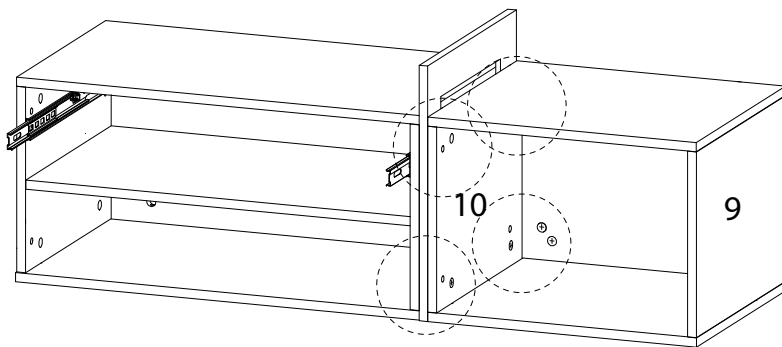


x1

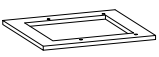
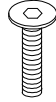
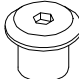

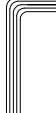
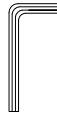
M

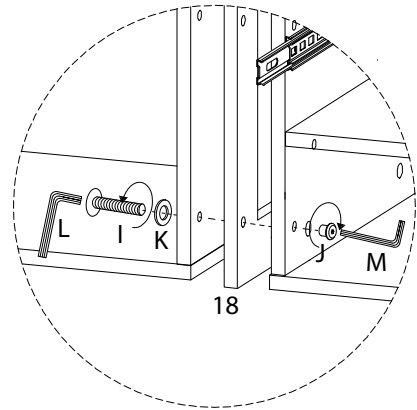
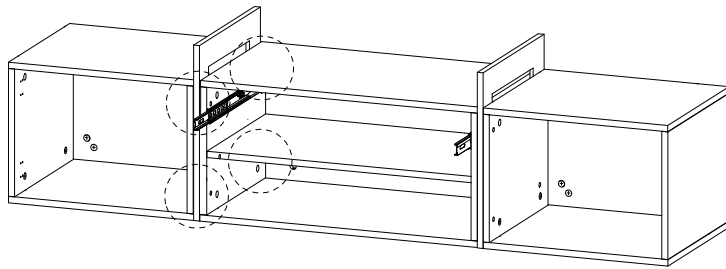


x1




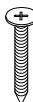


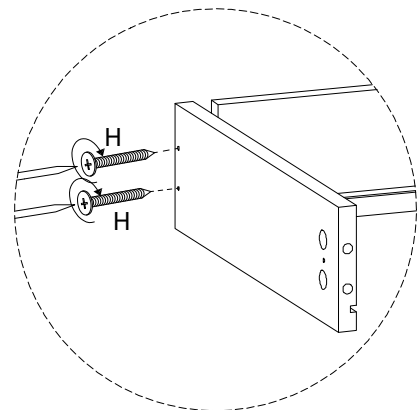
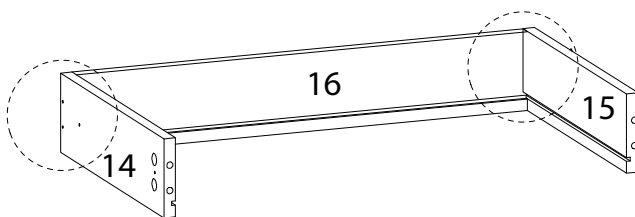
24

18  x 1	I  M8 x 25 x 4	J  x 4	K  x 4	L  x 1	M  x 1
--	--	---	--	---	---



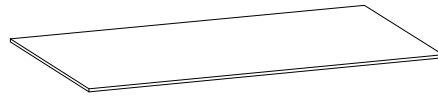
25

14  x 1	15  x 1	16  x 1	H  M3.5 x 35 x 4
--	--	---	--

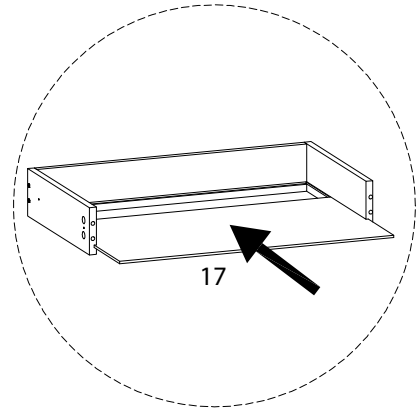
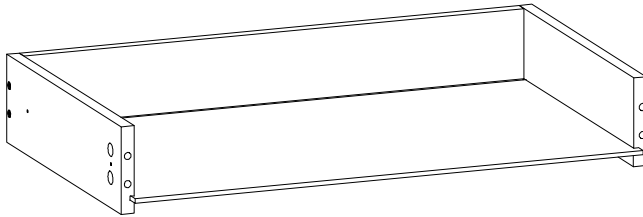


26

17



x 1



27

13

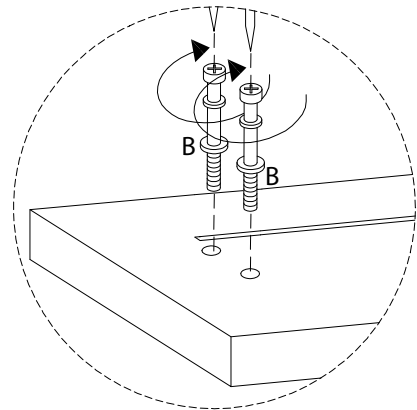
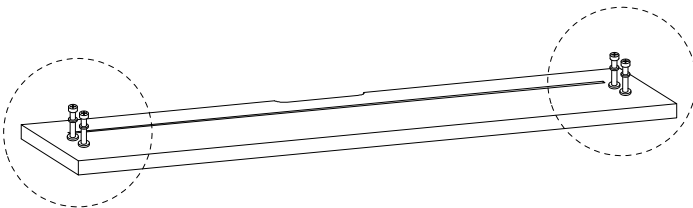


x 1

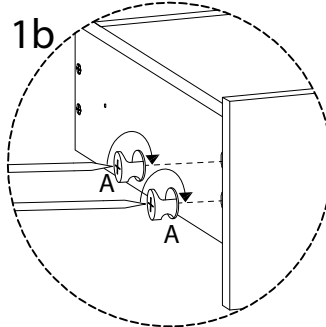
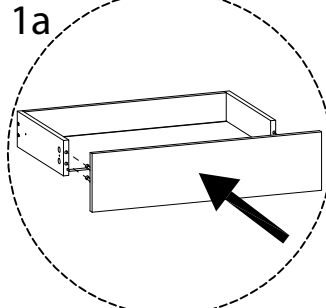
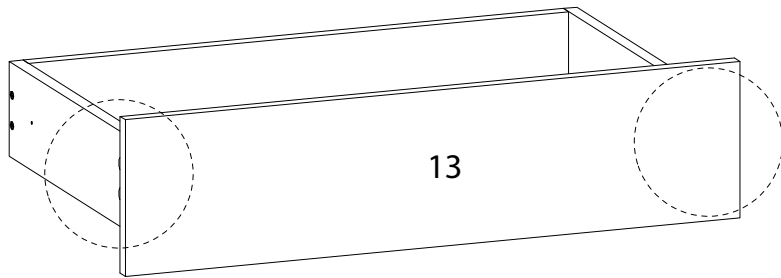
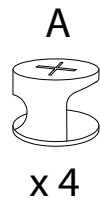
B



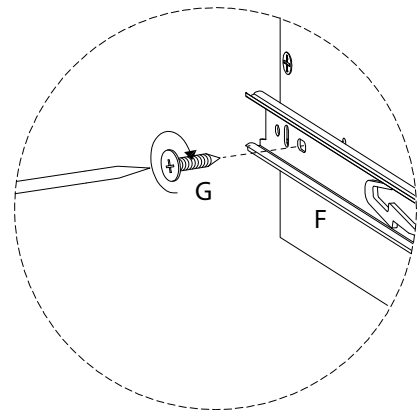
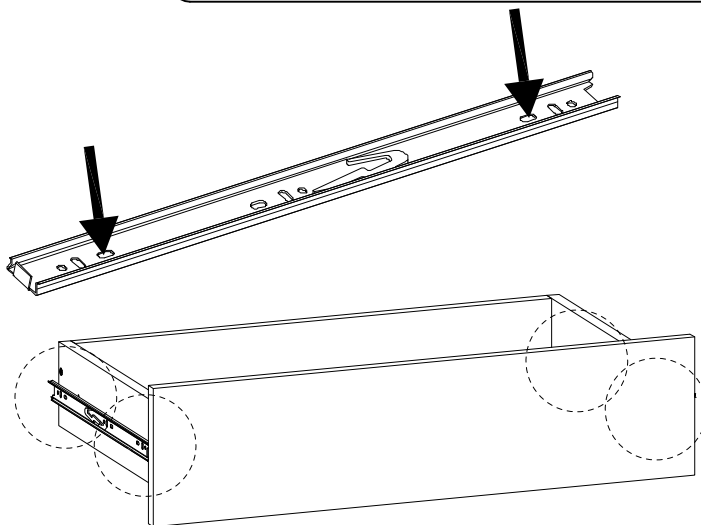
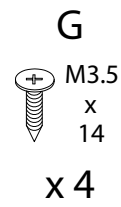
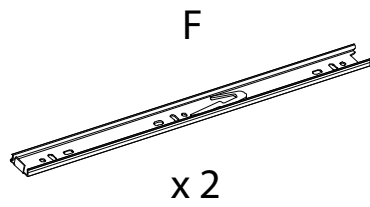
x 4



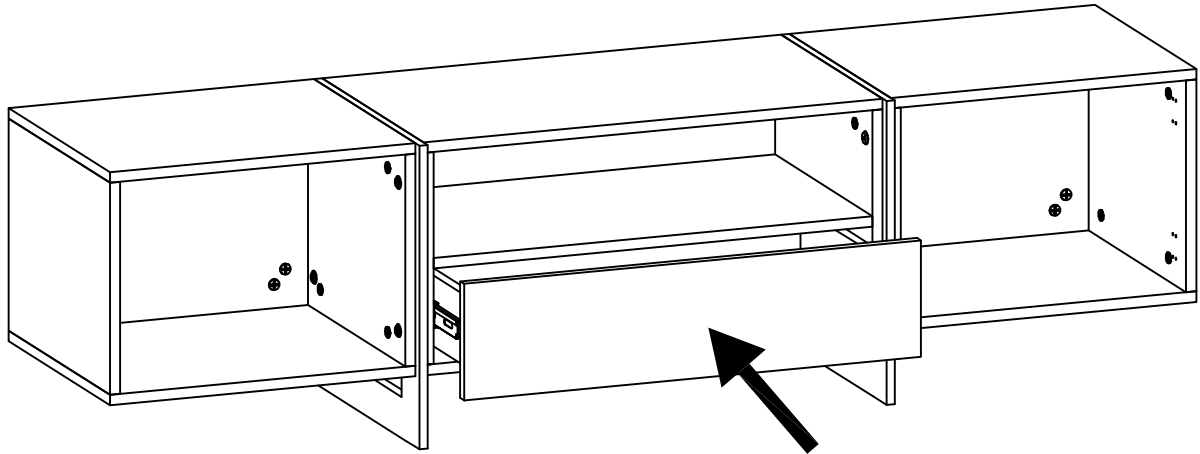
28



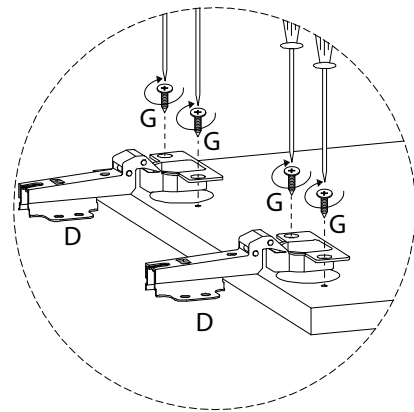
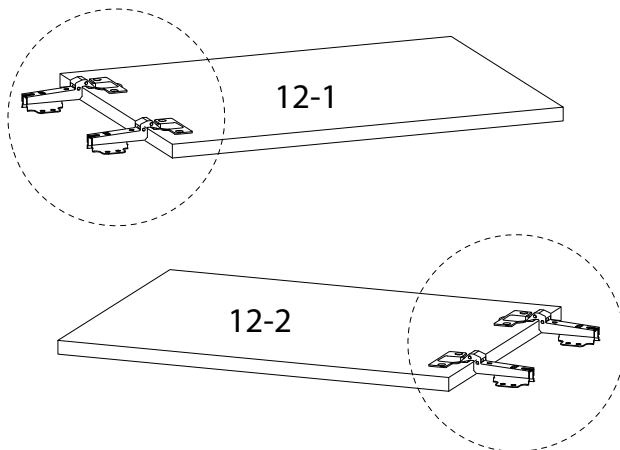
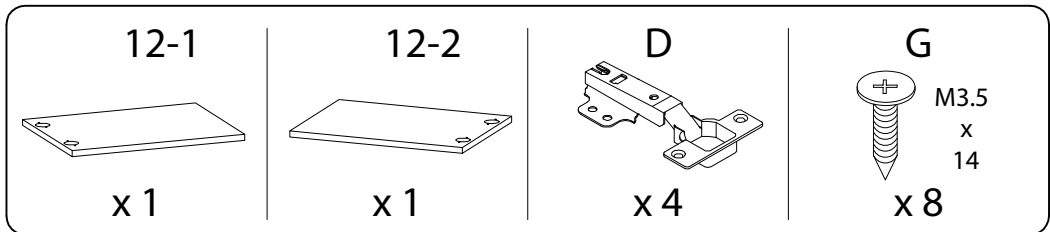
29



30



31



32

