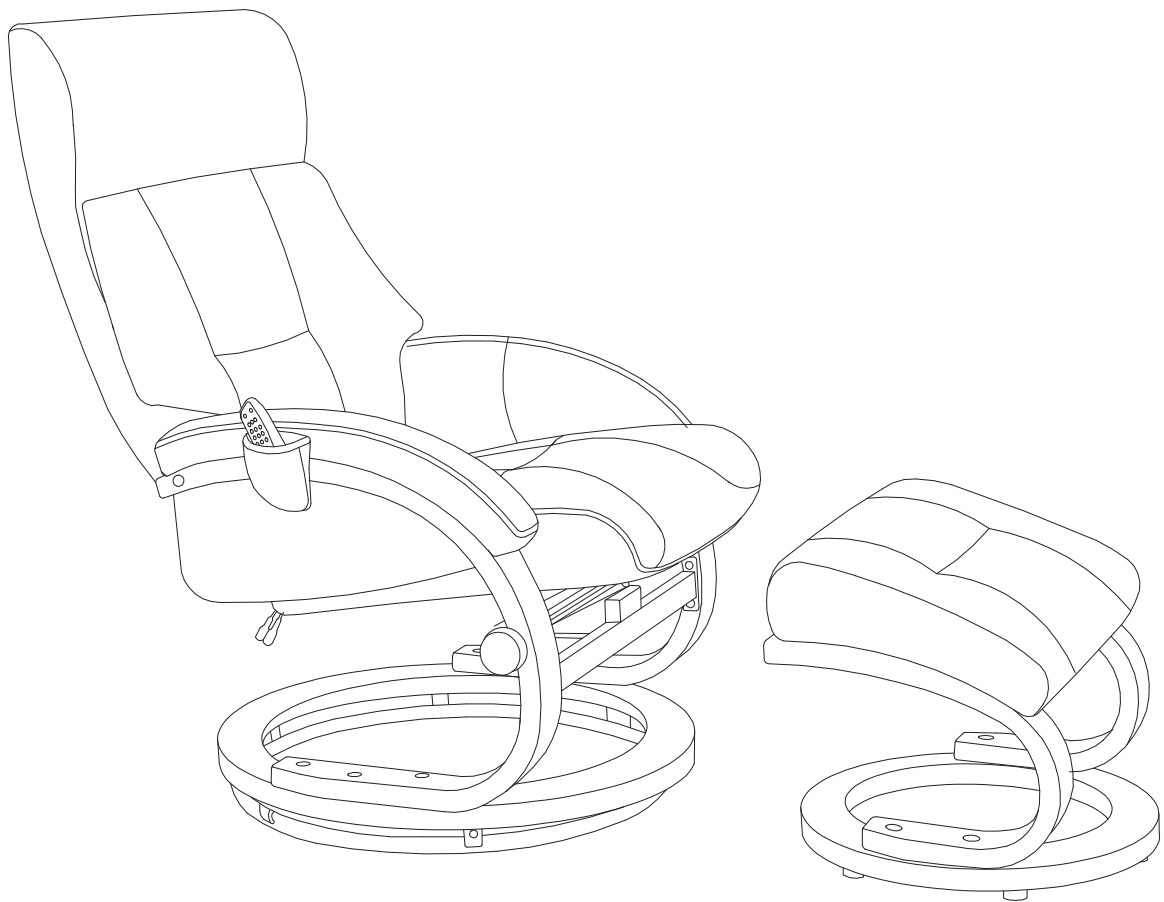
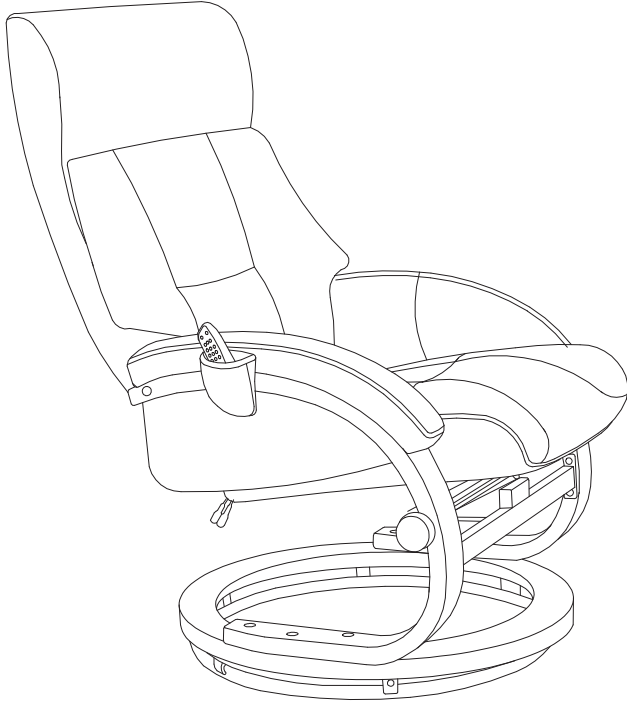


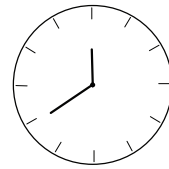
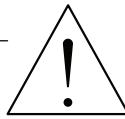
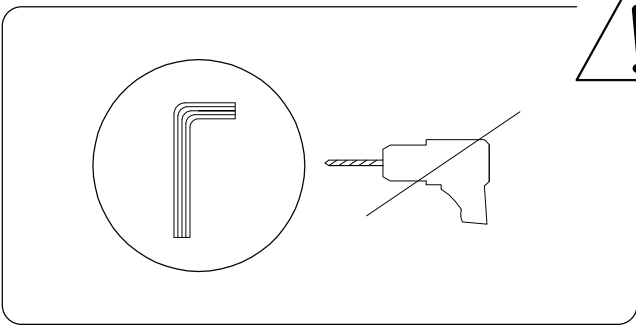
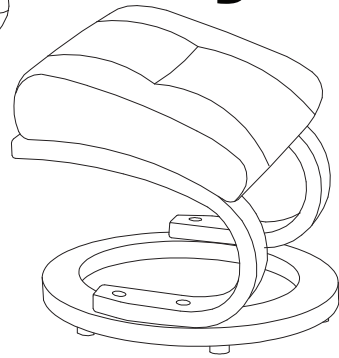
FORCE



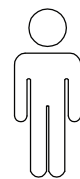
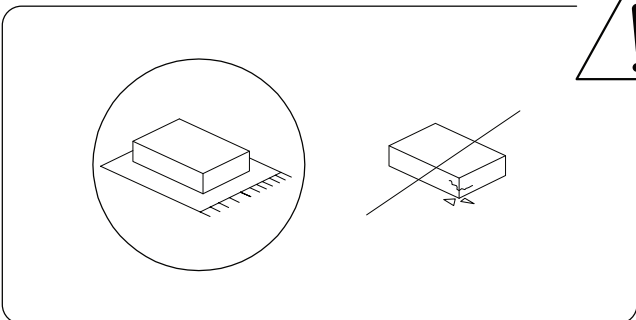
A



B



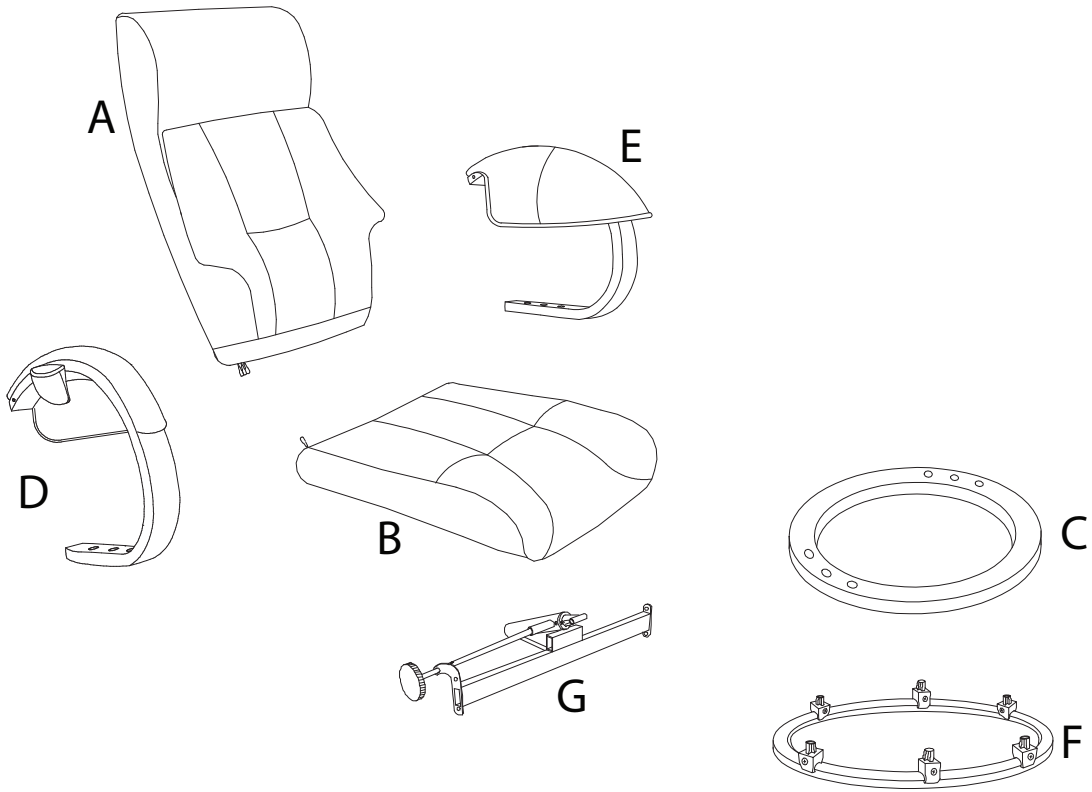
40'



1

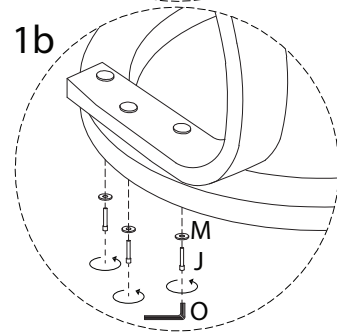
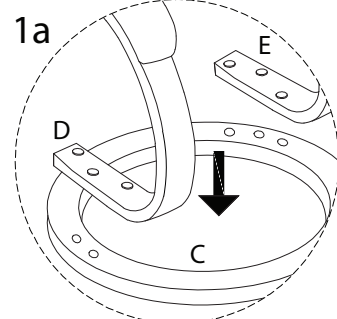
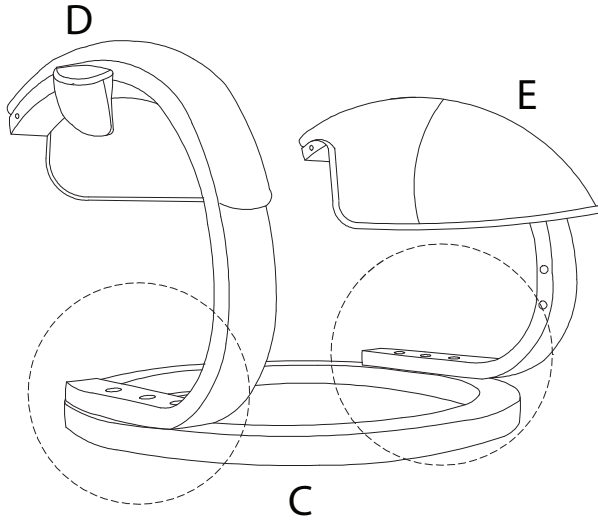
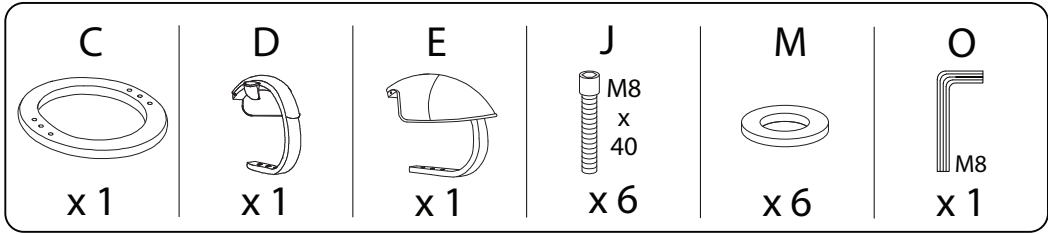
A

| | | | | | |
|-----|-----|-----|-----|-----|-----|
| A | B | C | D | E | F |
| | | | | | |
| x 1 | x 1 | x 1 | x 1 | x 1 | x 1 |

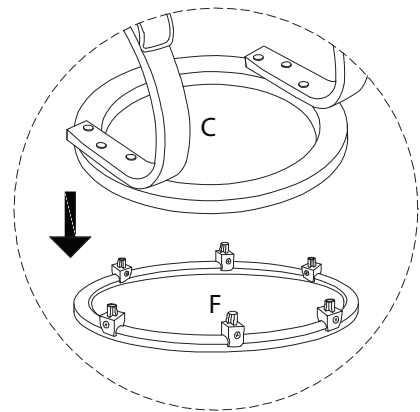
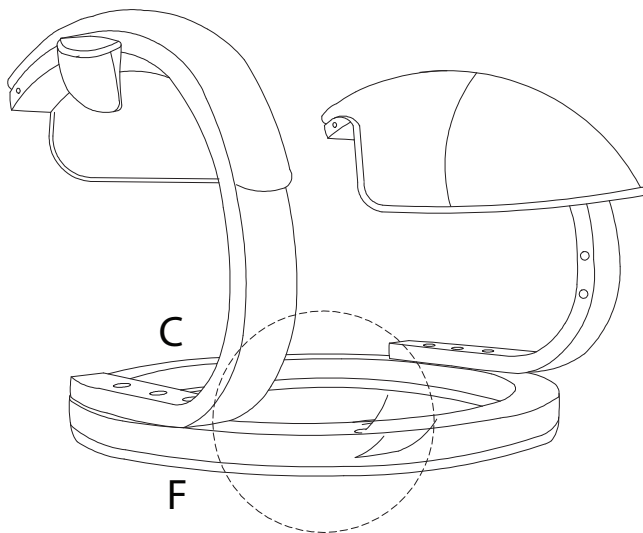
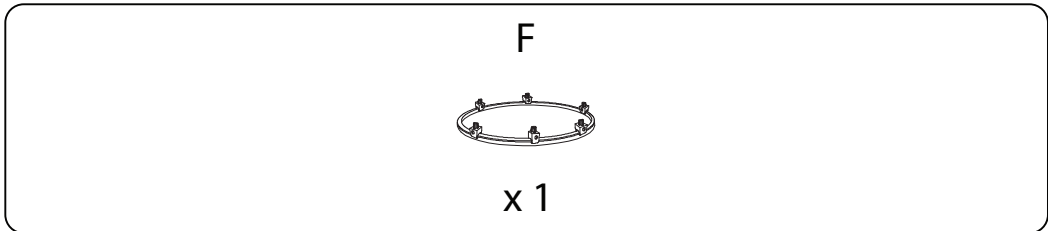


| | | | | | |
|-----|-----|-----|-----|-----|-----|
| G | H | I | J | K | L |
| | | | | | |
| x 1 | x 2 | x 1 | x 6 | x 2 | x 4 |
| M | N | O | P | R | S |
| | | | | | |
| x 6 | x 1 | x 1 | x 3 | x 1 | x 1 |

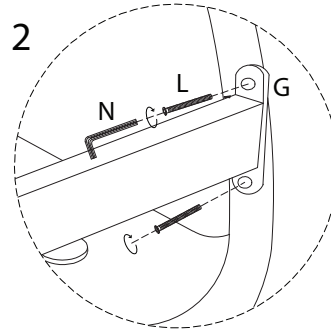
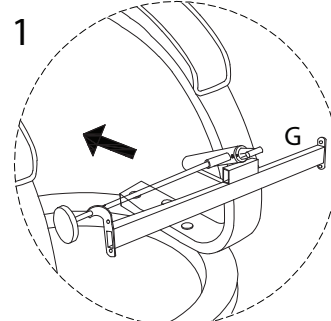
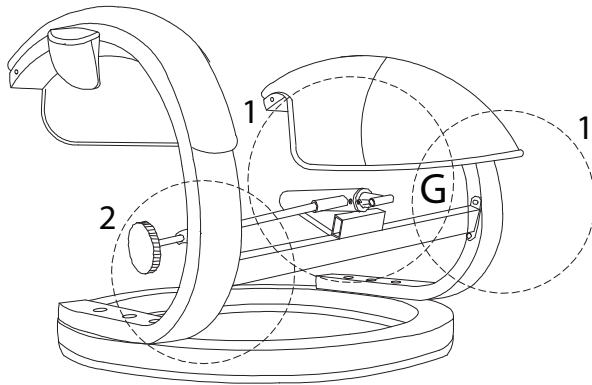
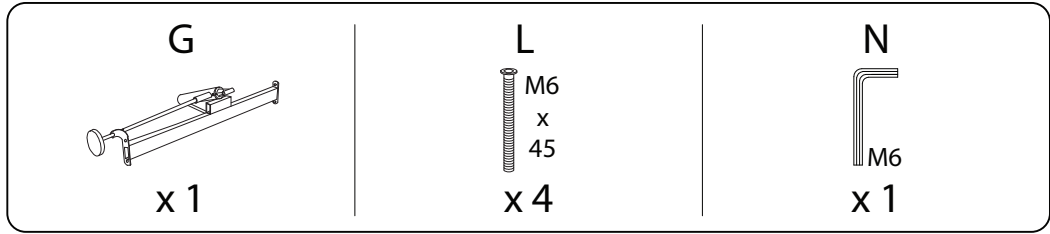
1



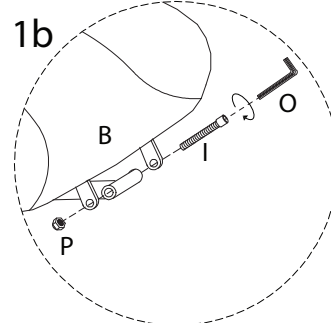
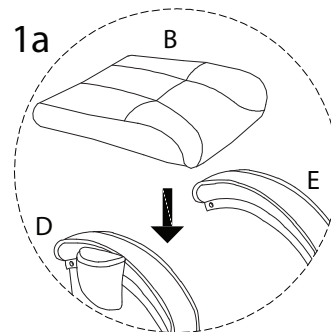
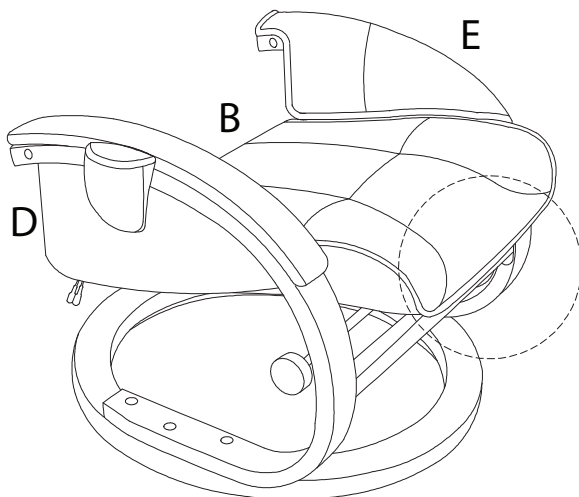
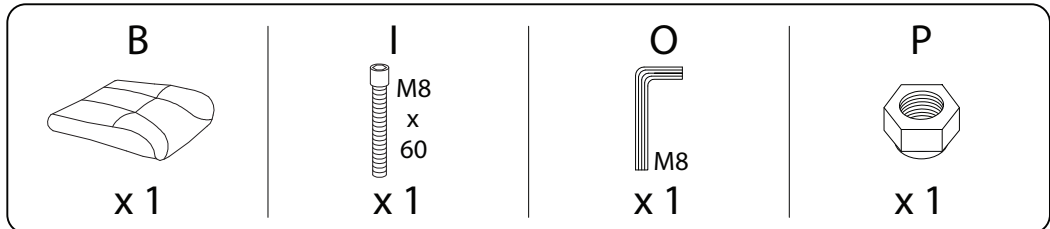
2



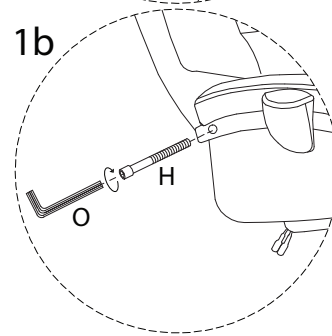
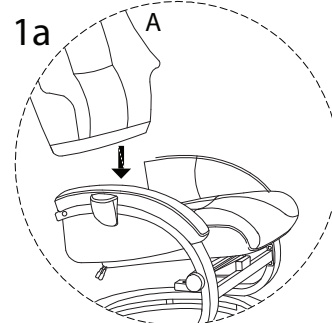
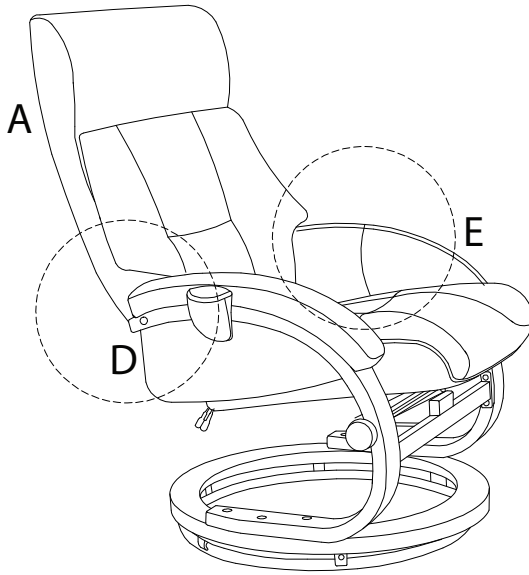
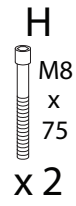
3



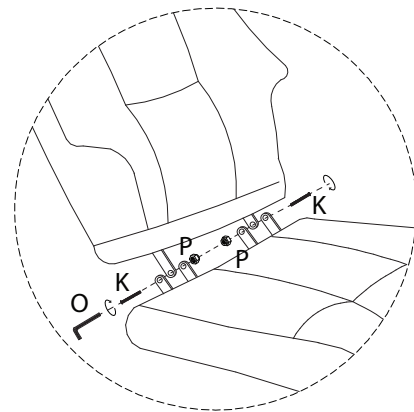
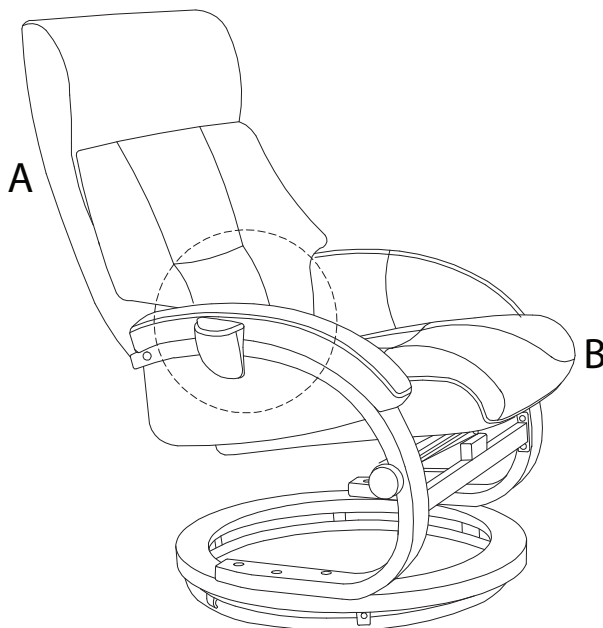
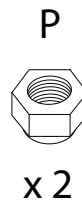
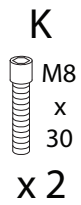
4



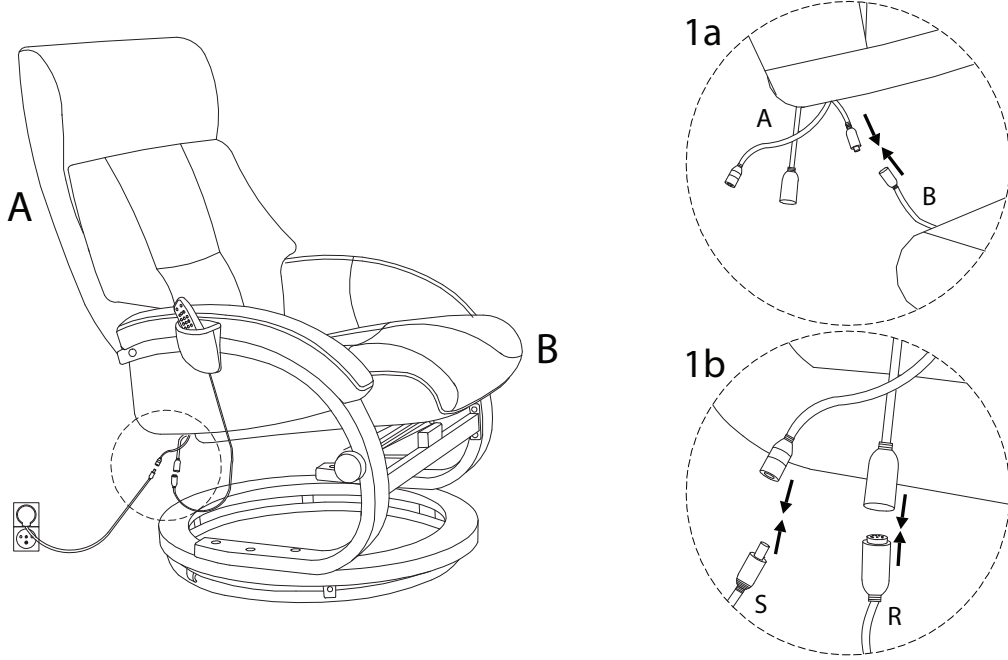
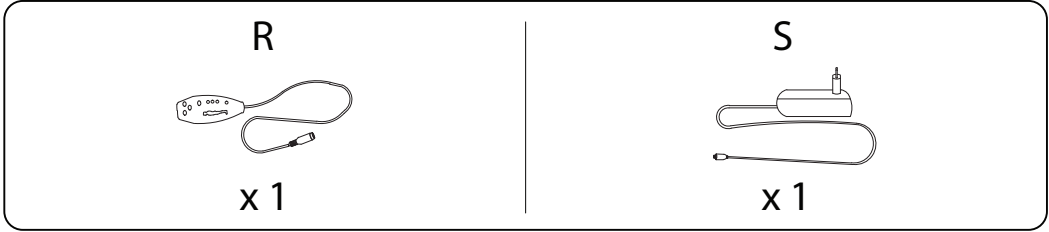
5



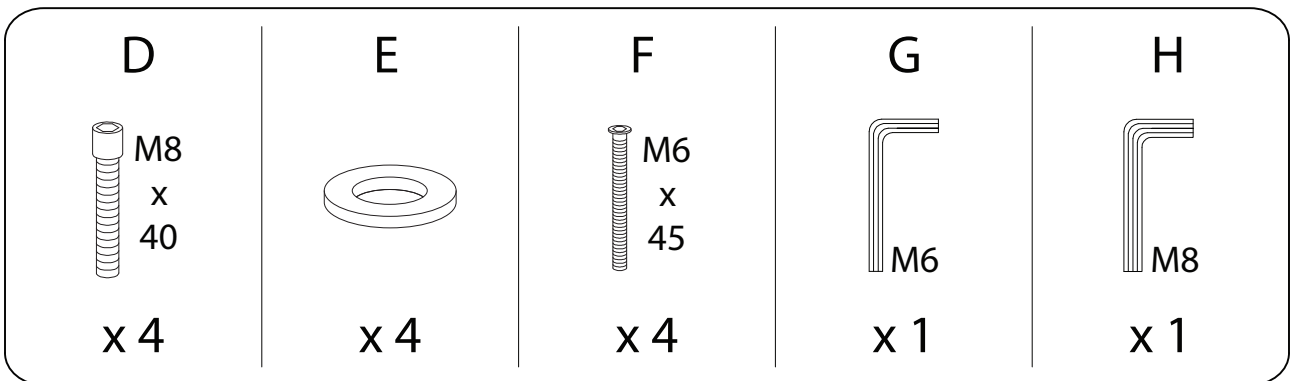
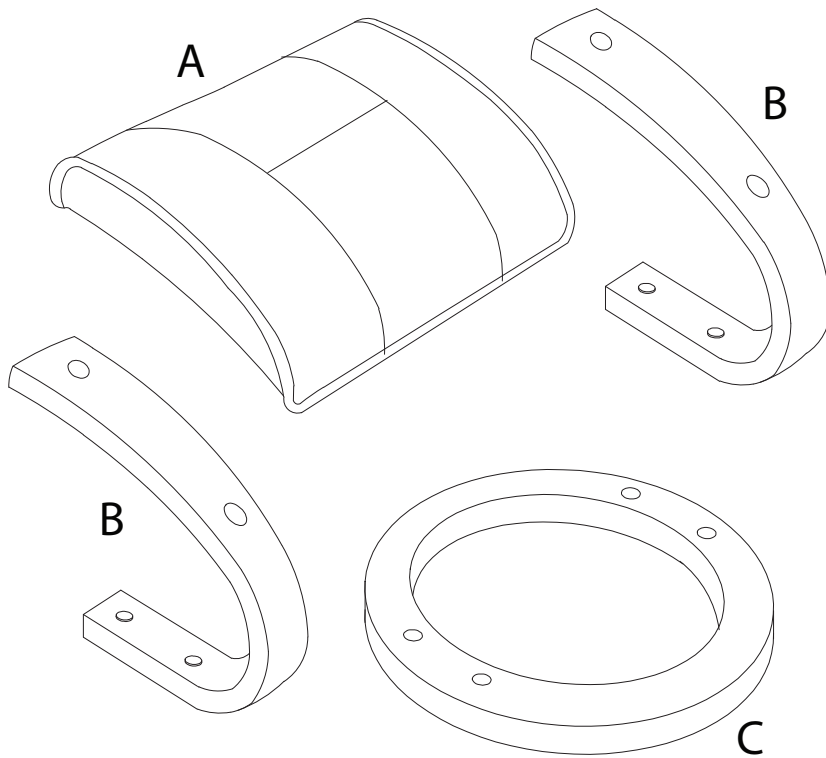
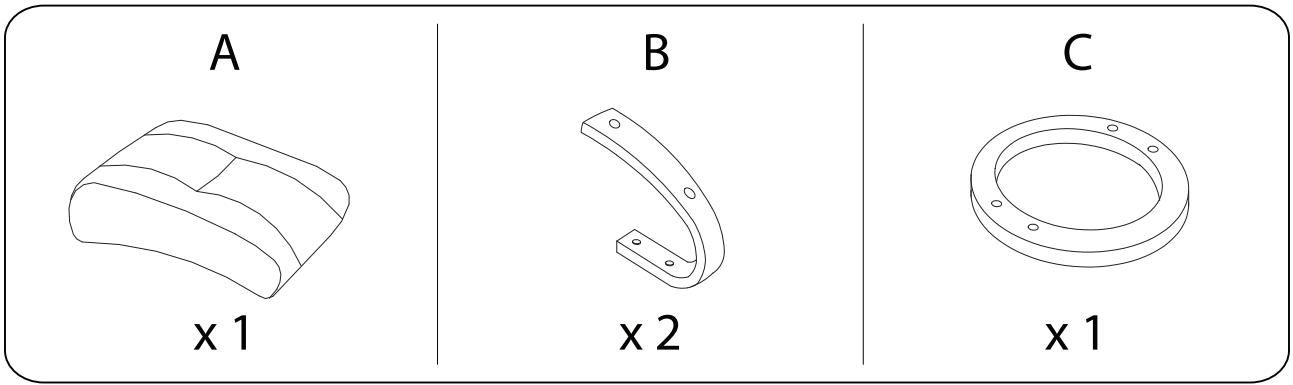
6



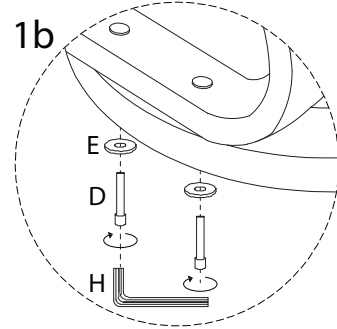
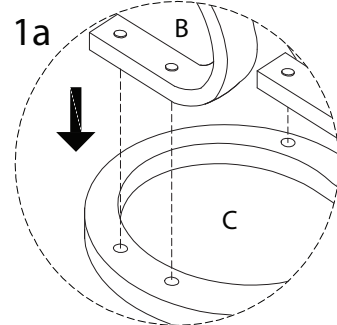
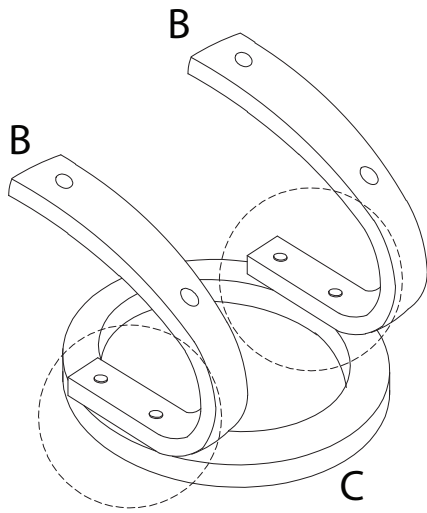
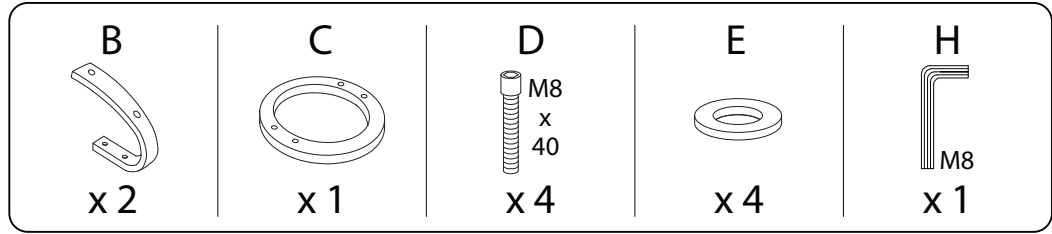
7



B



1



2

