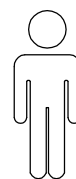
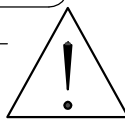
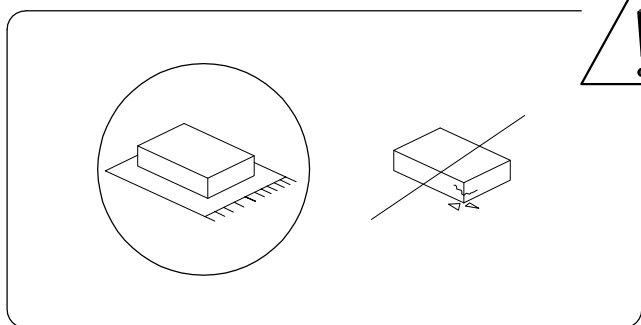

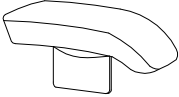
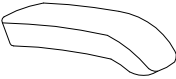
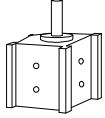
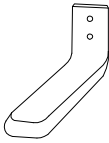

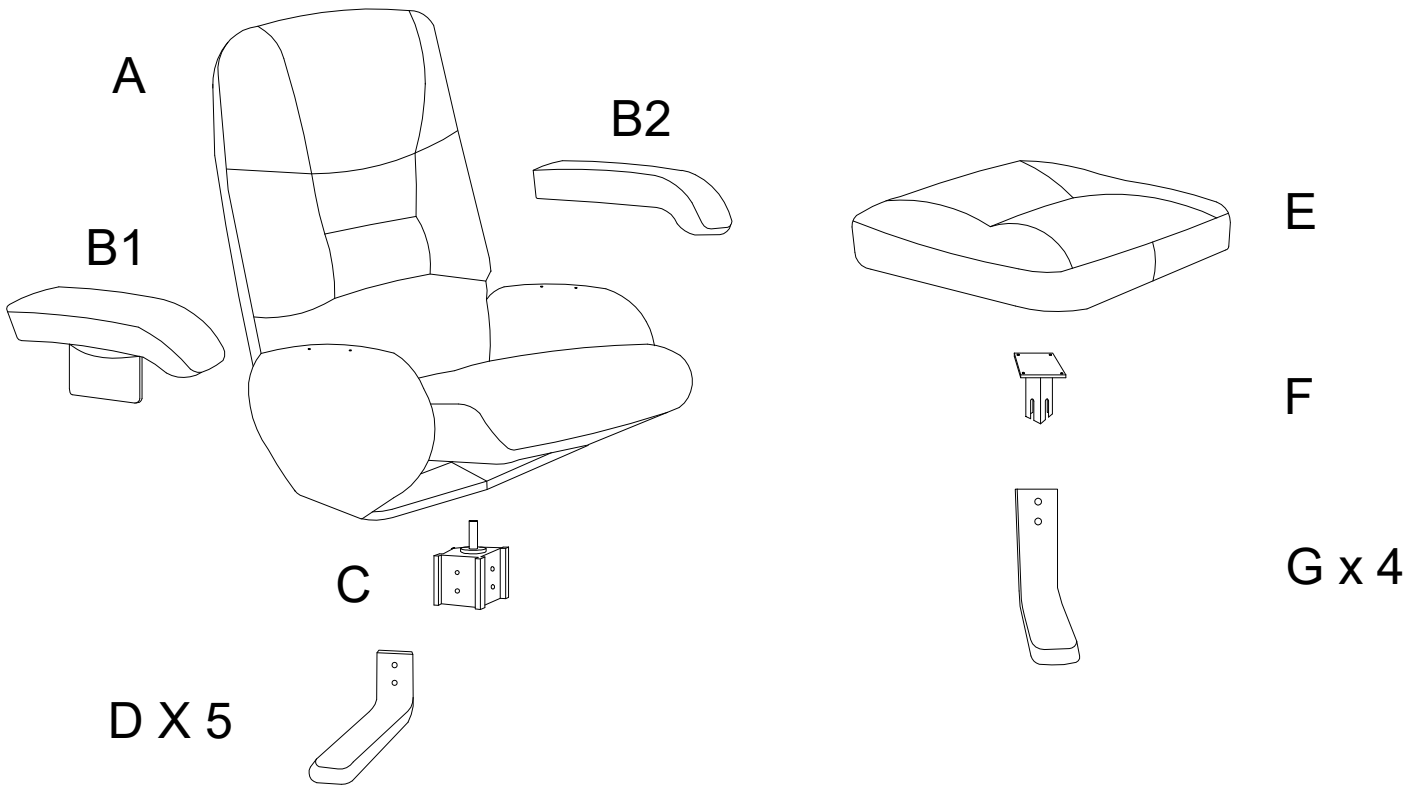


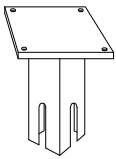


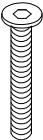
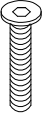
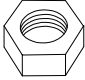
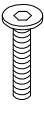
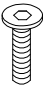
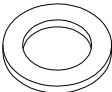
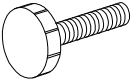
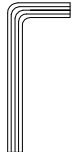

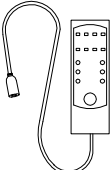
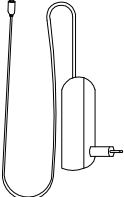
45'



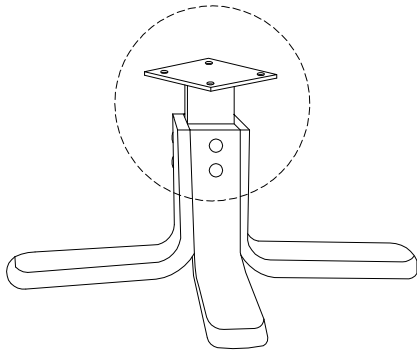
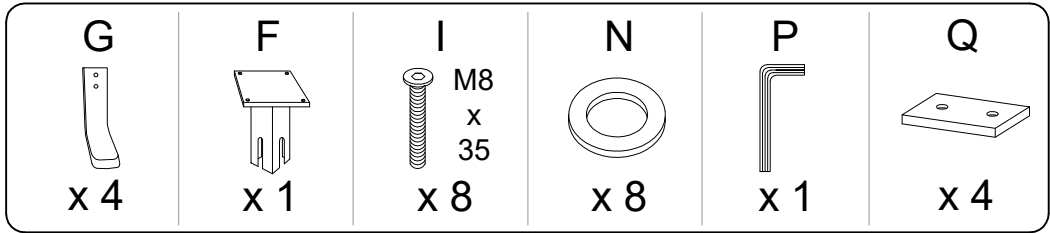
1

A	B1	B2	C	D	E
					
x 1	x 1	x 1	x 1	x 5	x 1

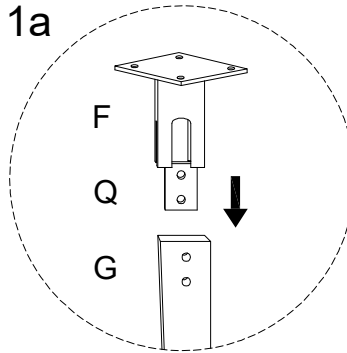


F	G	H	I	J	K	L
			 M8 x 35	 M8 x 25		 M6 x 20
x 1	x 4	x 2	x 18	x 2	x 2	x 8
M	N	O	P	Q	R	S
 M6 x 14						
x 4	x 18	x 1	x 1	x 4	x 1	x 1

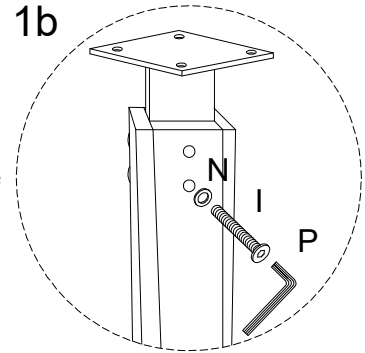
1



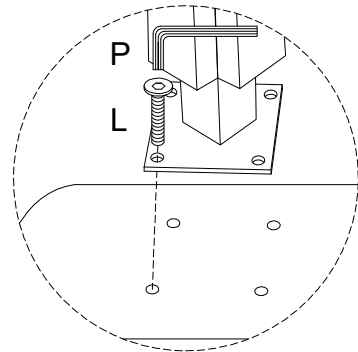
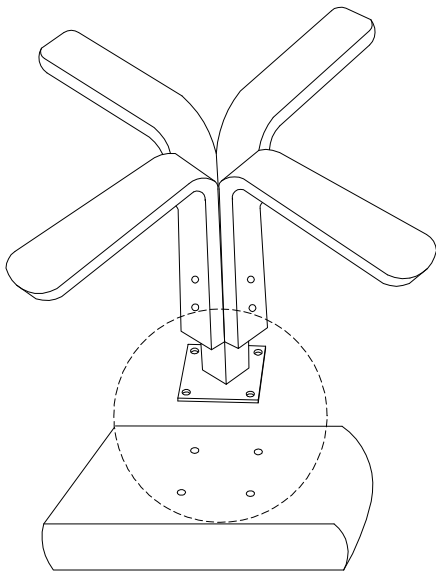
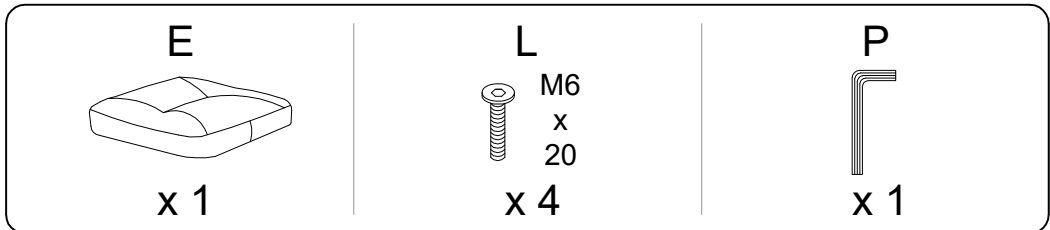
1a



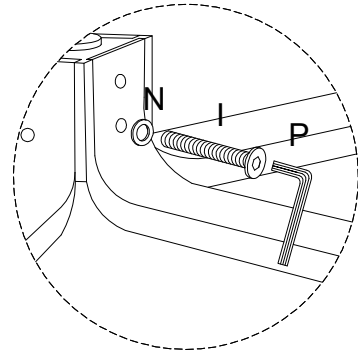
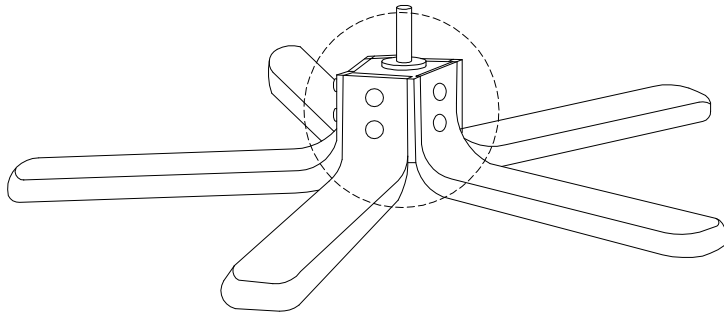
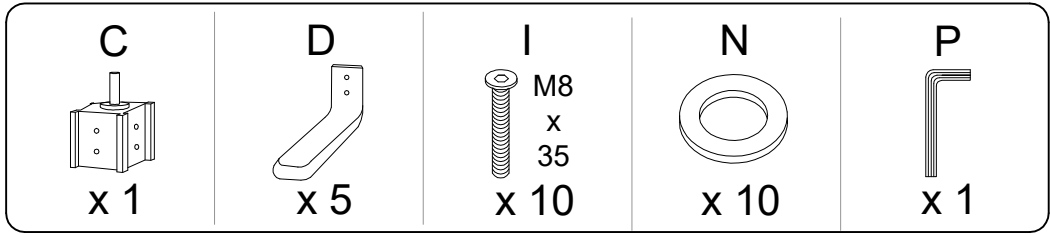
1b



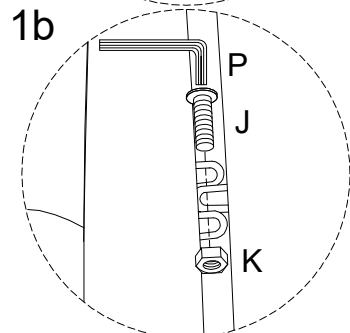
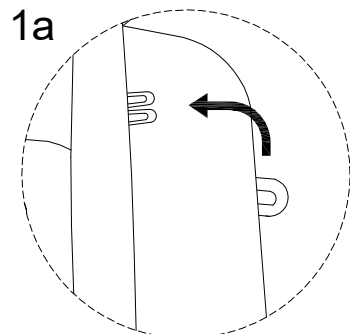
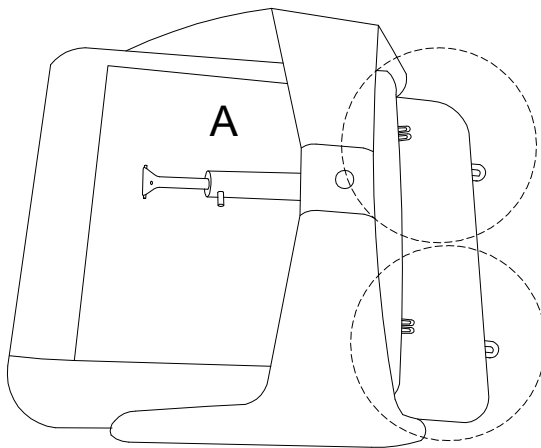
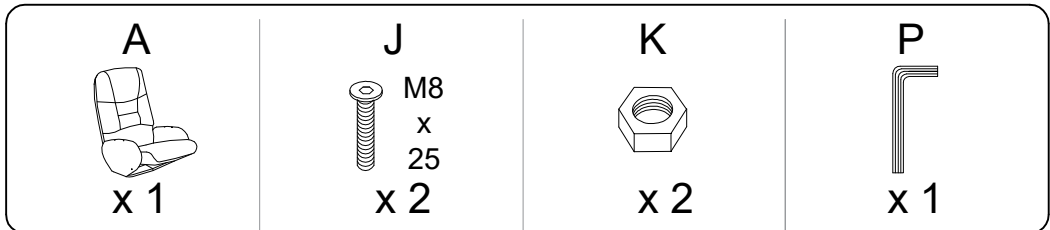
2



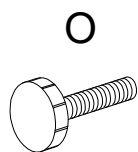
3



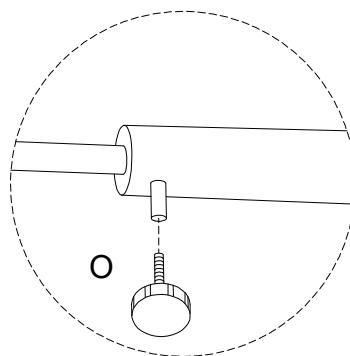
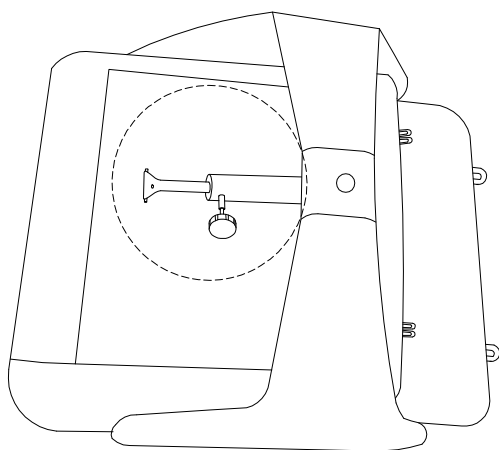
4



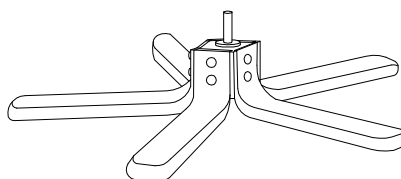
5



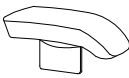

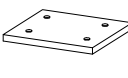

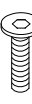
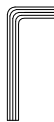
x 1

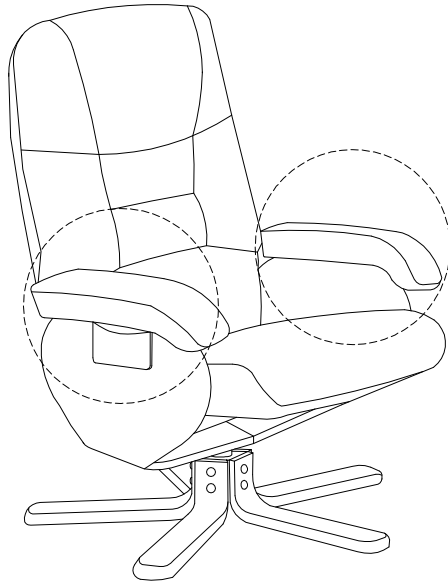


6

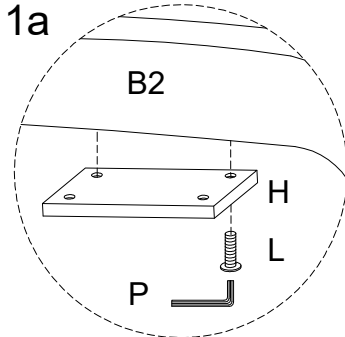


7

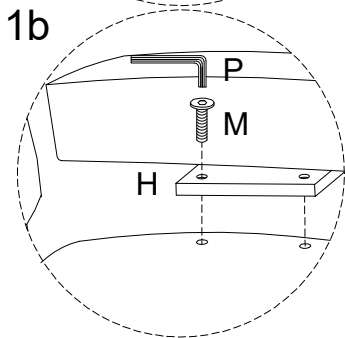
B1  x 1	B2  x 1	H  x 2	L  M6 x 20 x 4	M  M6 x 14 x 4	P  x 1
---	---	--	--	--	--



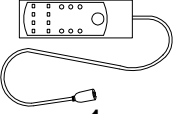
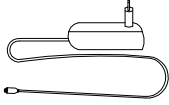
1a



1b



8

R  x 1	S  x 1
--	--

