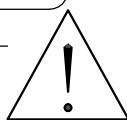
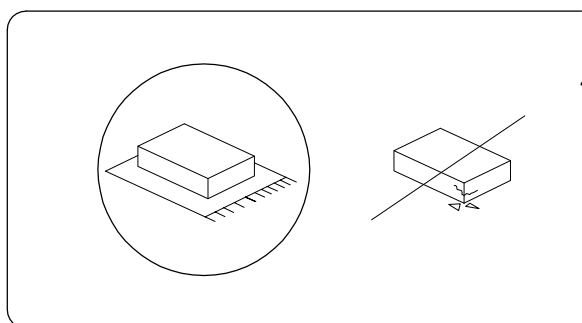

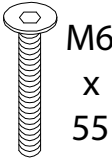
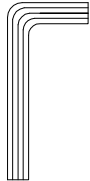


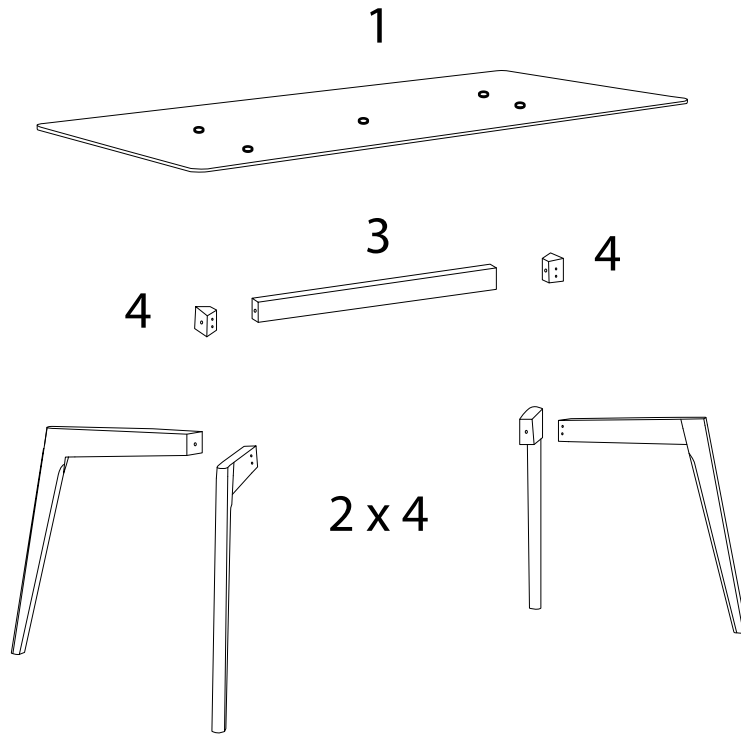
40'

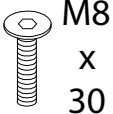
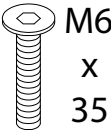
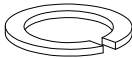


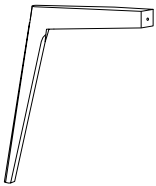
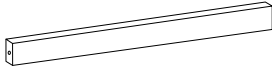
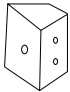


2

1/4

<p>A</p>  <p>x 2</p>	<p>B</p>  <p>x 2</p>	<p>C</p>  <p>x 1</p>
---	---	---



<p>D</p>  <p>x 8</p>	<p>E</p>  <p>x 5</p>	<p>F</p>  <p>x 5</p>	<p>G</p>  <p>x 4</p>
<p>1</p>  <p>x 1</p>	<p>2</p>  <p>x 4</p>	<p>3</p>  <p>x 1</p>	<p>4</p>  <p>x 2</p>

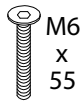
1

A



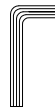
x 2

B



x 2

C



x 1

3

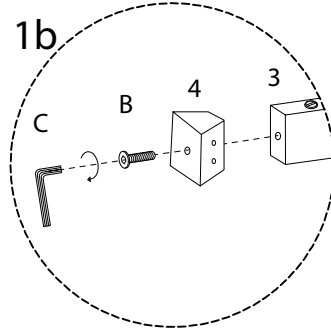
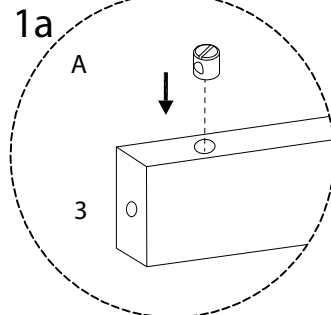
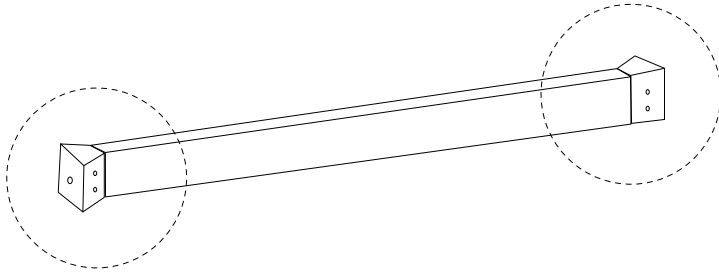


x 1

4

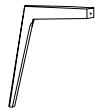


x 2



2

2



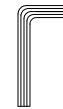
x 4

D

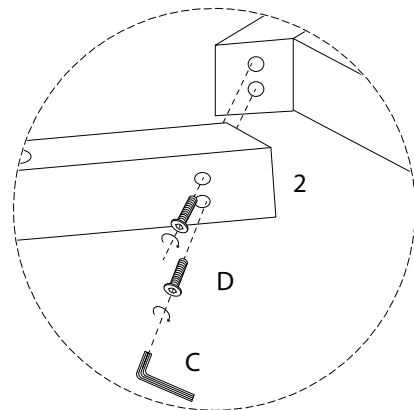
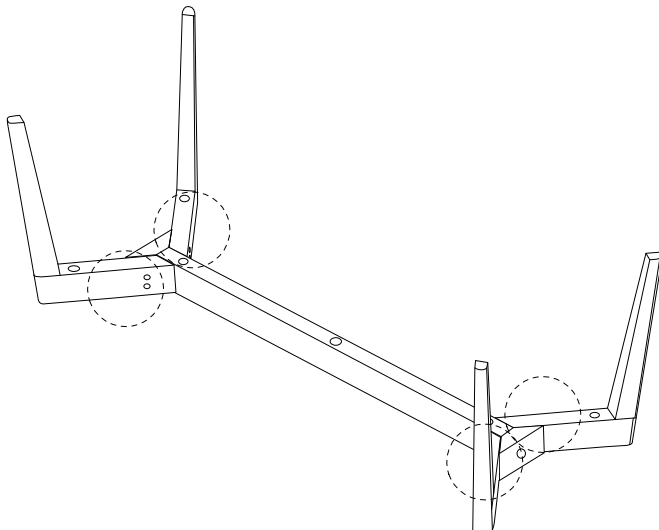


x 8


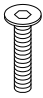

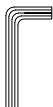
C

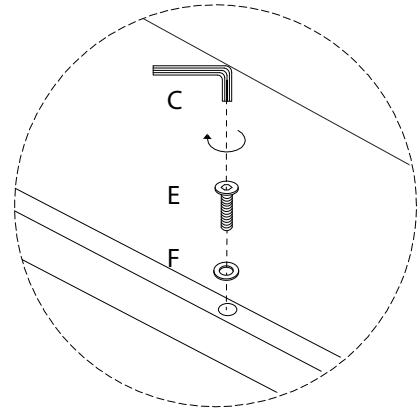
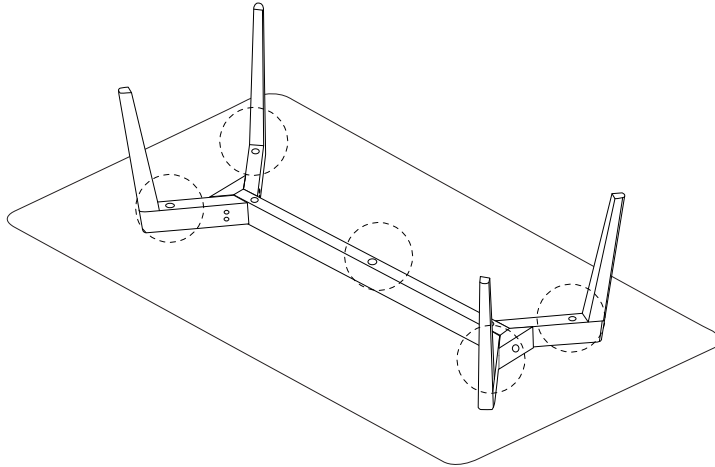


x 1




3

1  x 1	E  M6 x 35 x 5	F  x 5	C  x 1
--	---	---	--



4

G  x 4
--

