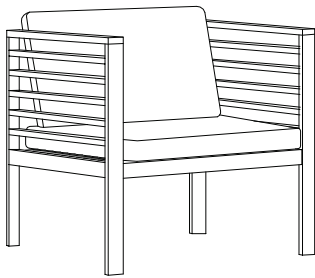
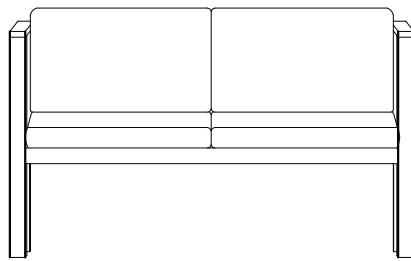


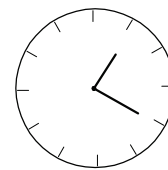
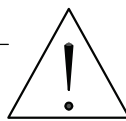
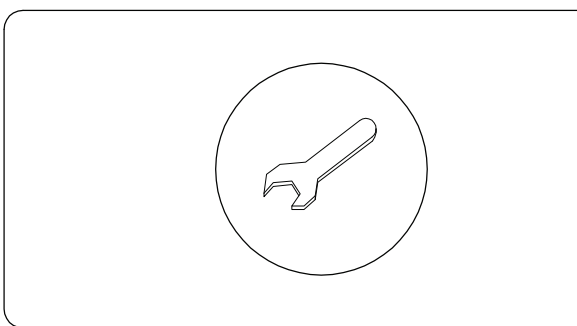
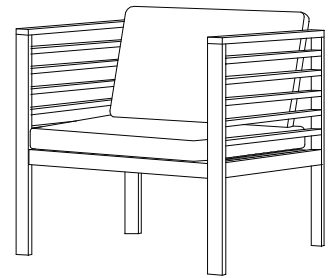
A



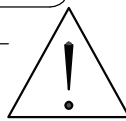
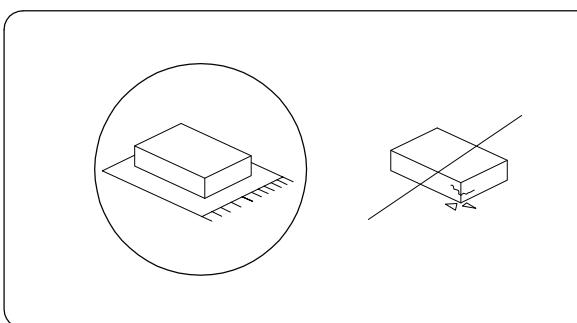
B



A


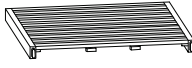

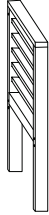



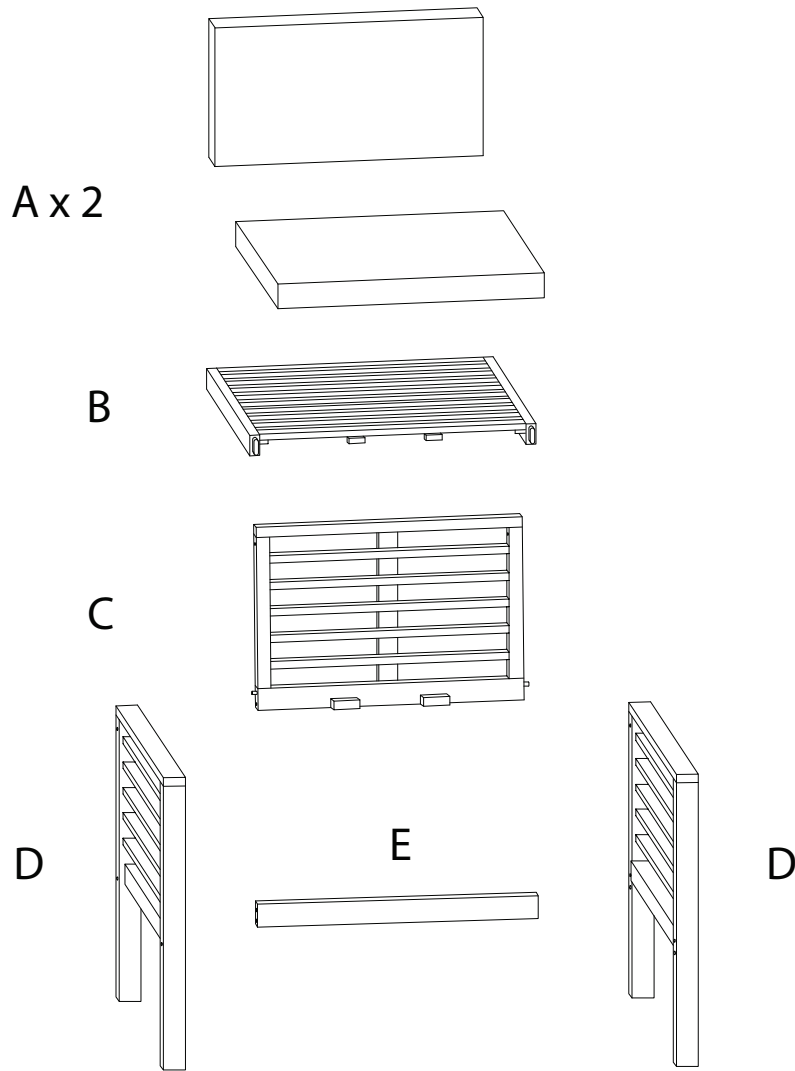
80'

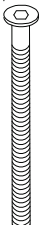
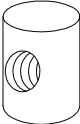
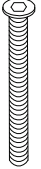




1

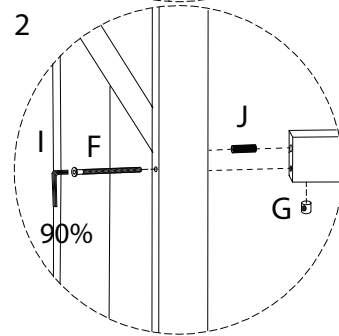
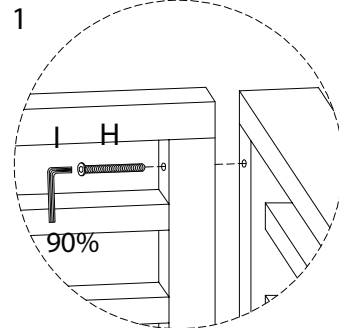
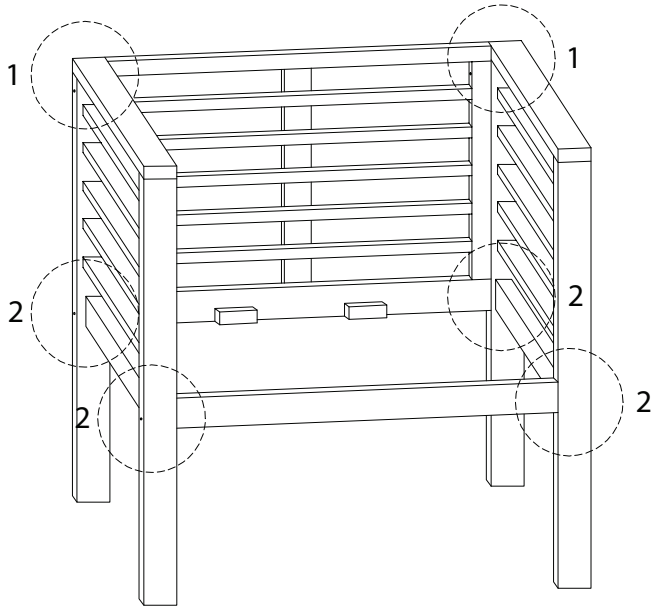
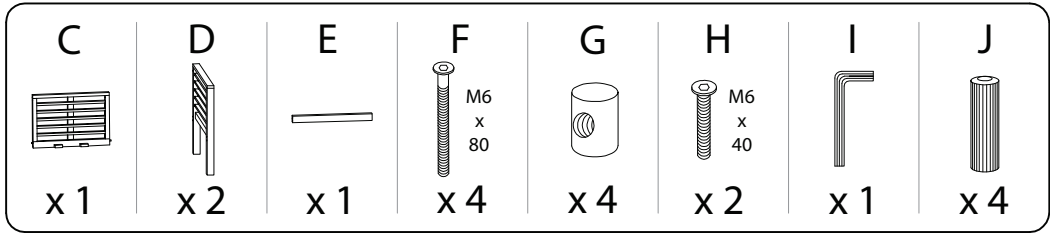
A

A	B	C	D	E
				
x 2	x 1	x 1	x 2	x 1

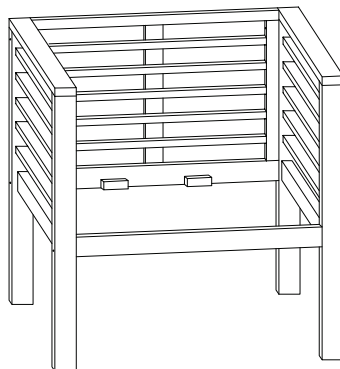
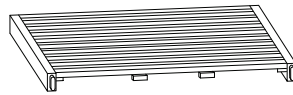
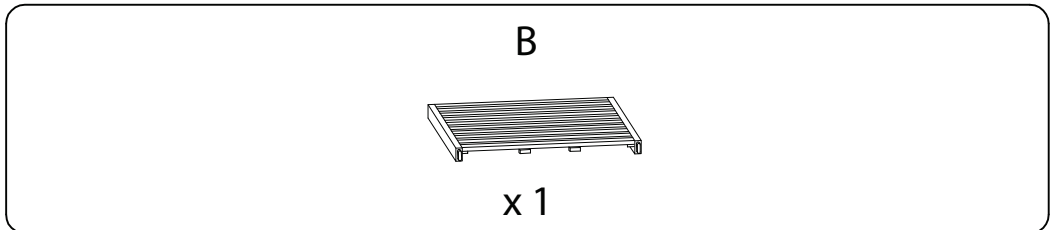


F	G	H	I	J
 M6 x 80		 M6 x 40		
x 4	x 4	x 2	x 1	x 4

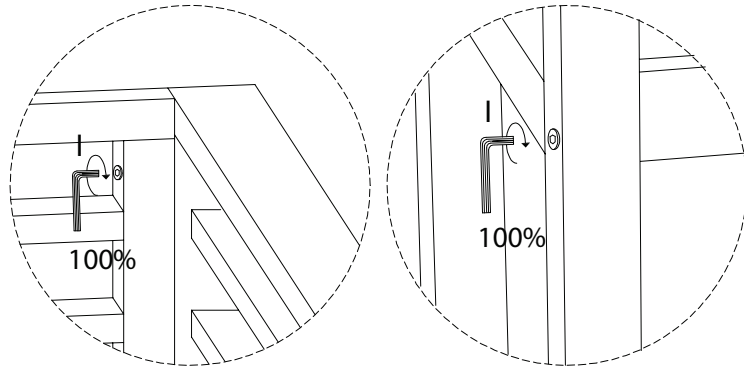
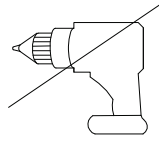
1



2



3

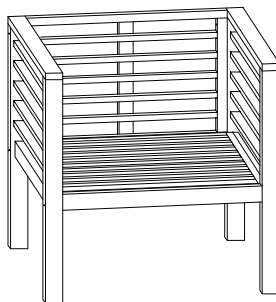
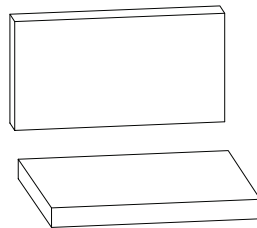


4



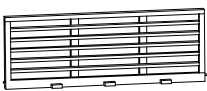
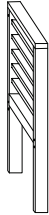

A

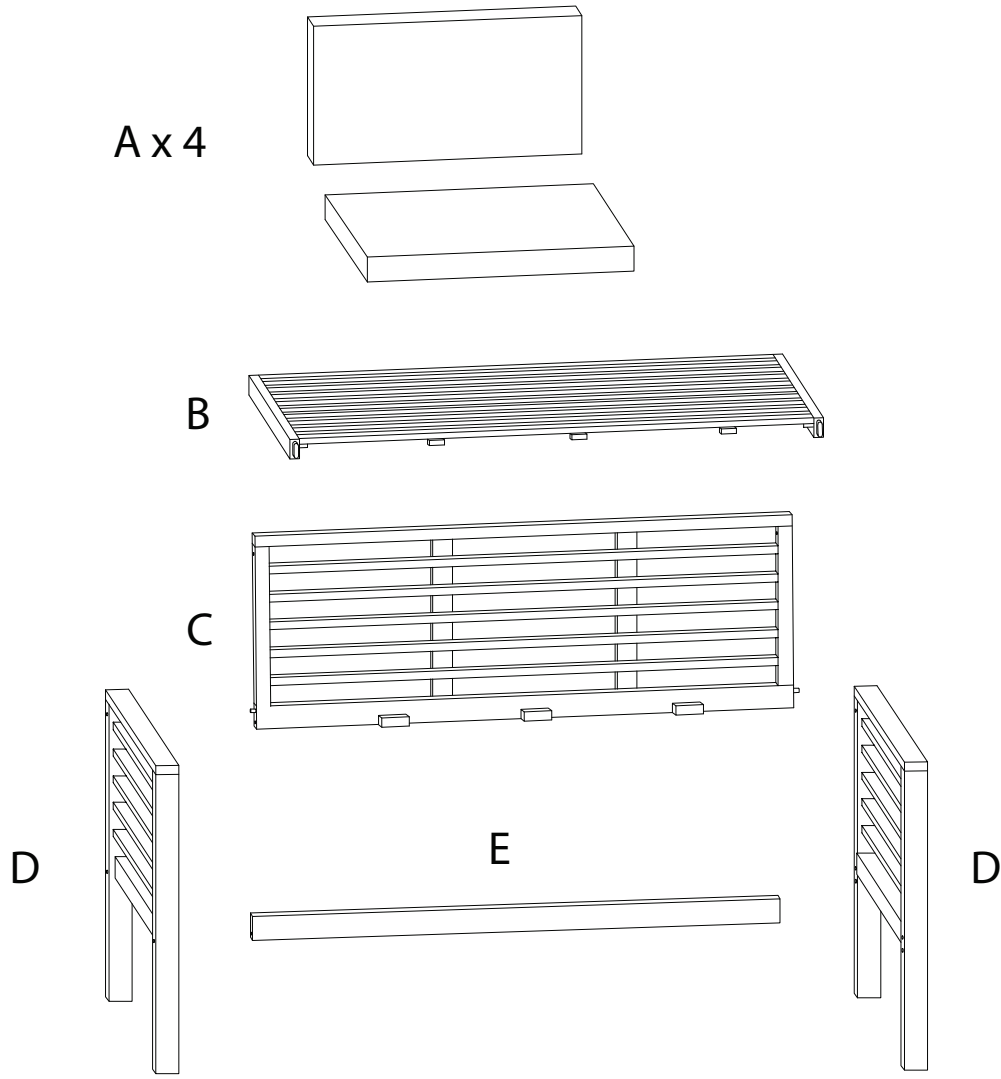


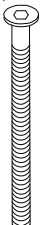
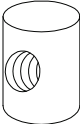
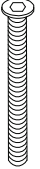


x 2



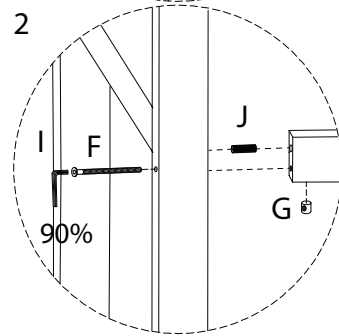
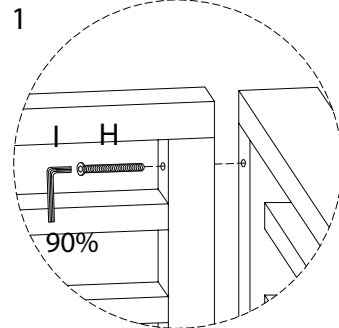
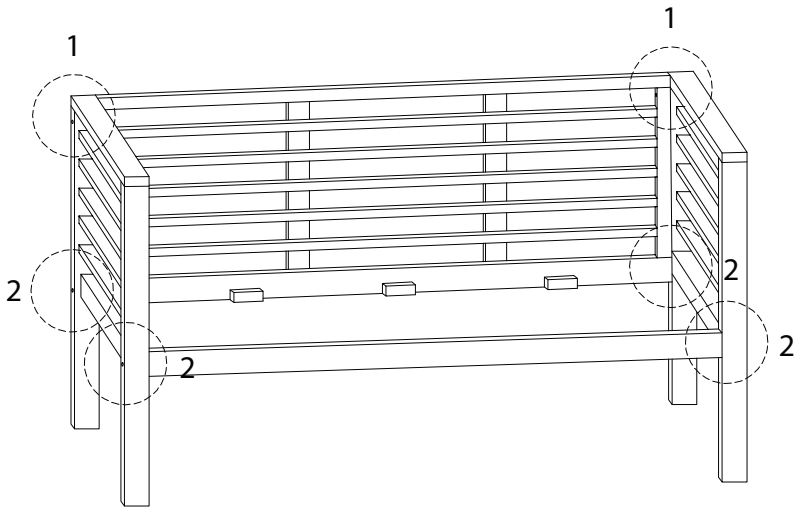
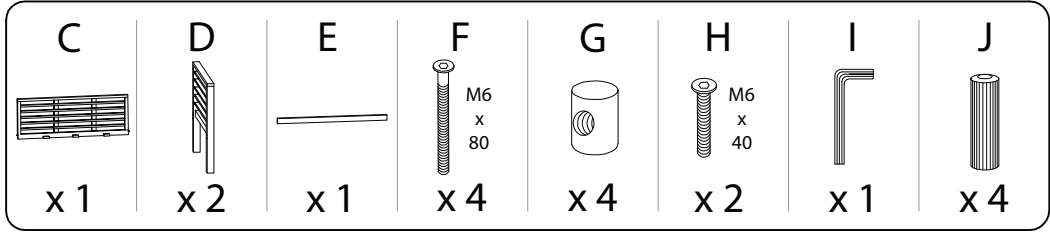
B

A	B	C	D	E
				
x 4	x 1	x 1	x 2	x 1

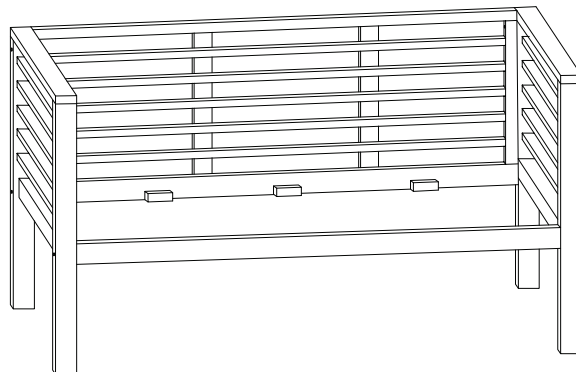
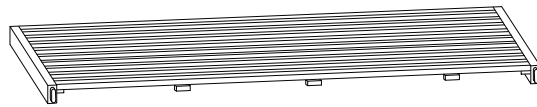
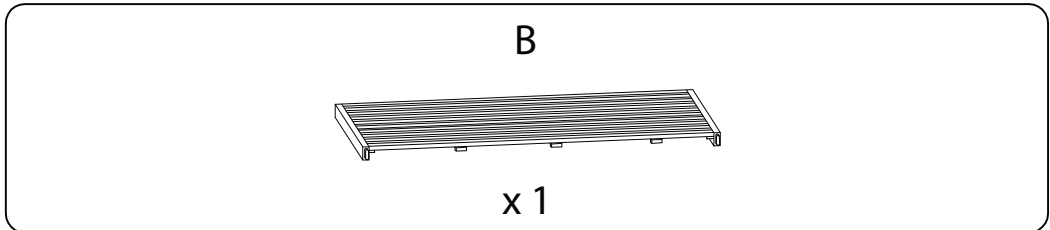


F	G	H	I	J
 M6 x 80		 M6 x 40		
x 4	x 4	x 2	x 1	x 4

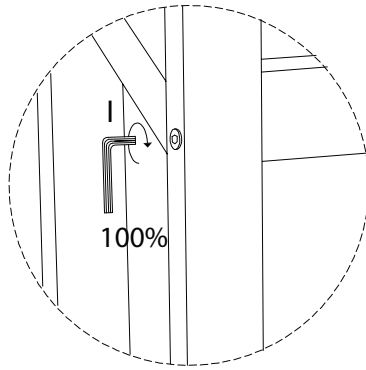
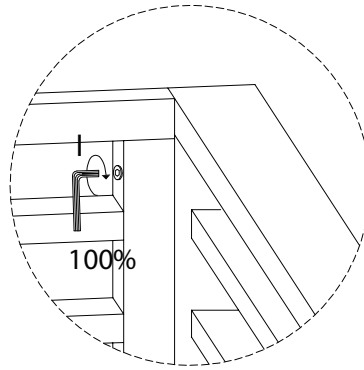
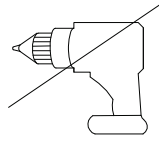
1



2



3



4

A



x 4

