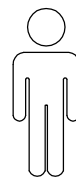
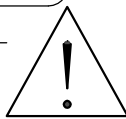
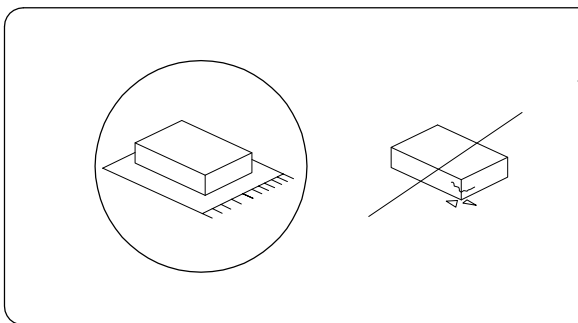
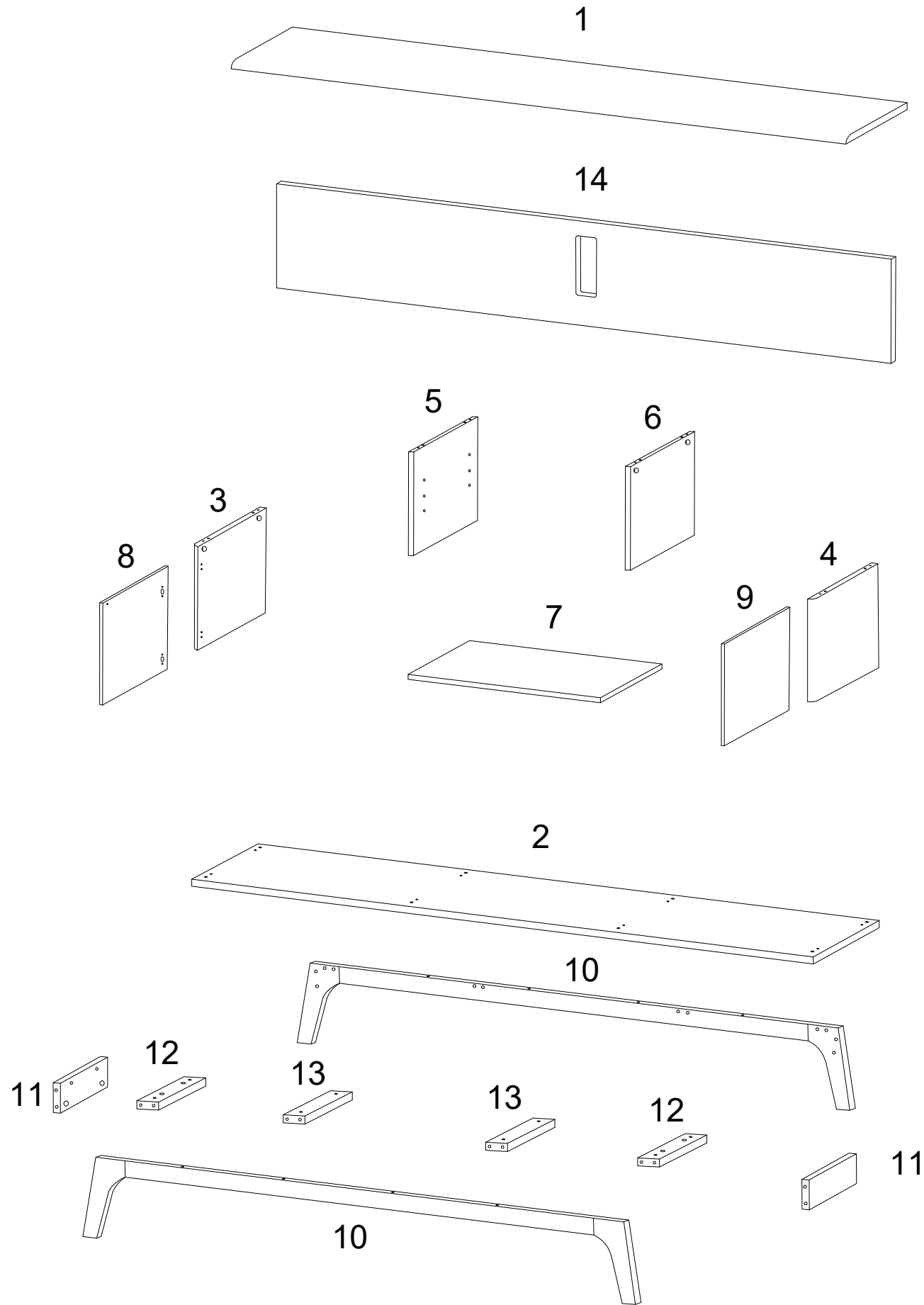


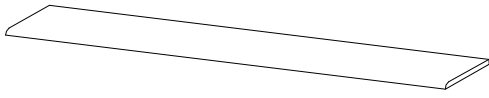
60'



2

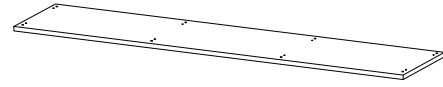


1



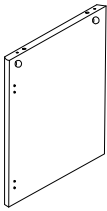
x 1

2



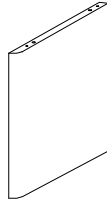
x 1

3



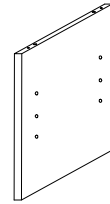
x 1

4



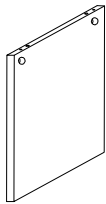
x 1

5



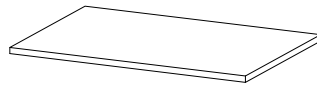
x 1

6



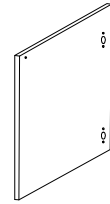
x 1

7



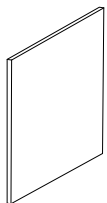
x 1

8



x 1

9



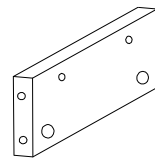
x 1

10



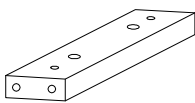
x 2

11



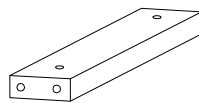
x 2

12



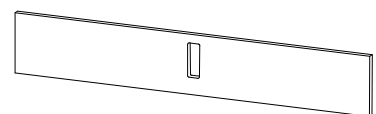
x 2

13



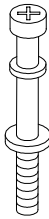
x 2

14



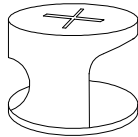
x 1

A



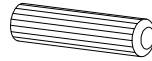
x 12

B



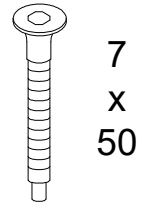
x 12

C



x 52

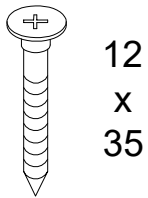
D



7
x
50

x 8

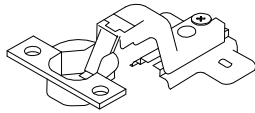
E



12
x
35

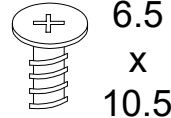
x 8

F



x 4

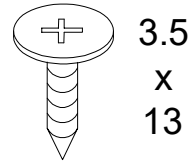
G



6.5
x
10.5

x 8

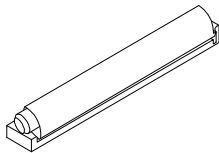
H



3.5
x
13

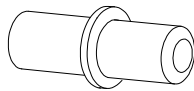
x 12

I



x 2

J



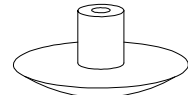
x 4

K



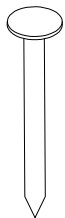
x 4

L



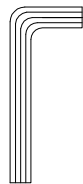
x 4

M



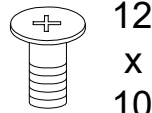
x 16

N



x 1

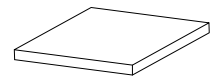
O



12
x
10

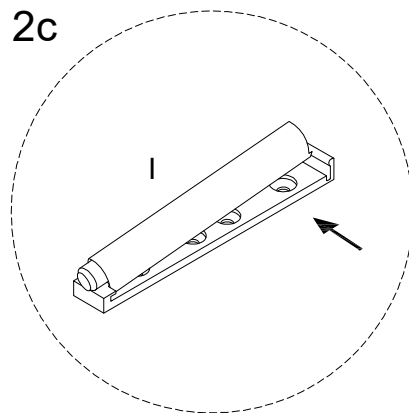
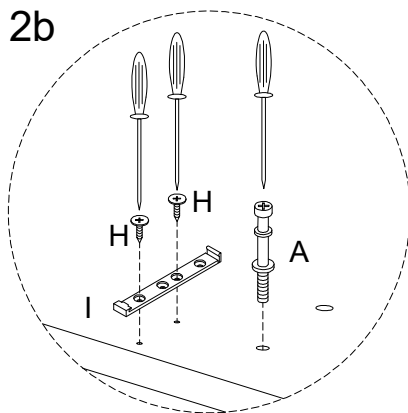
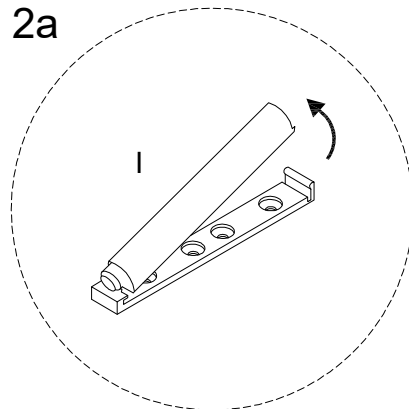
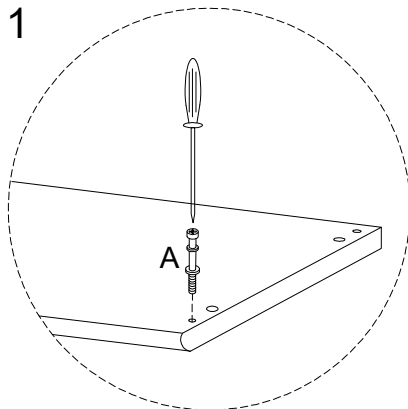
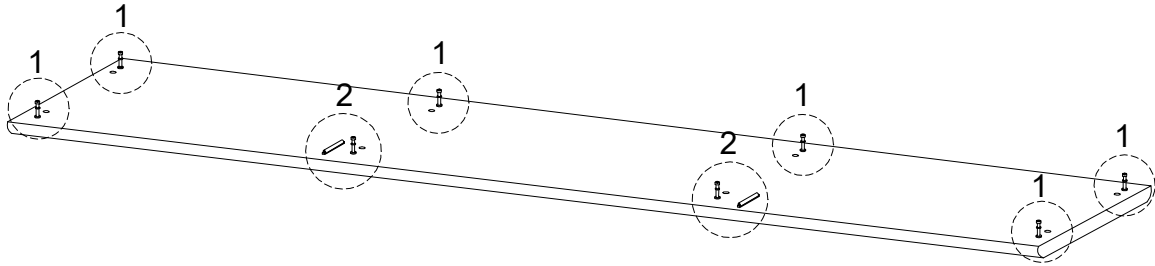
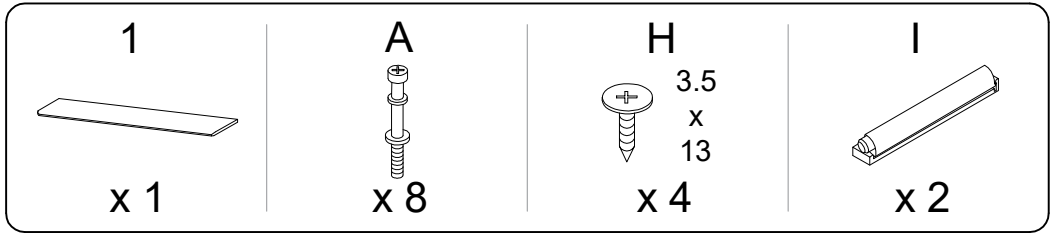
x 2

P

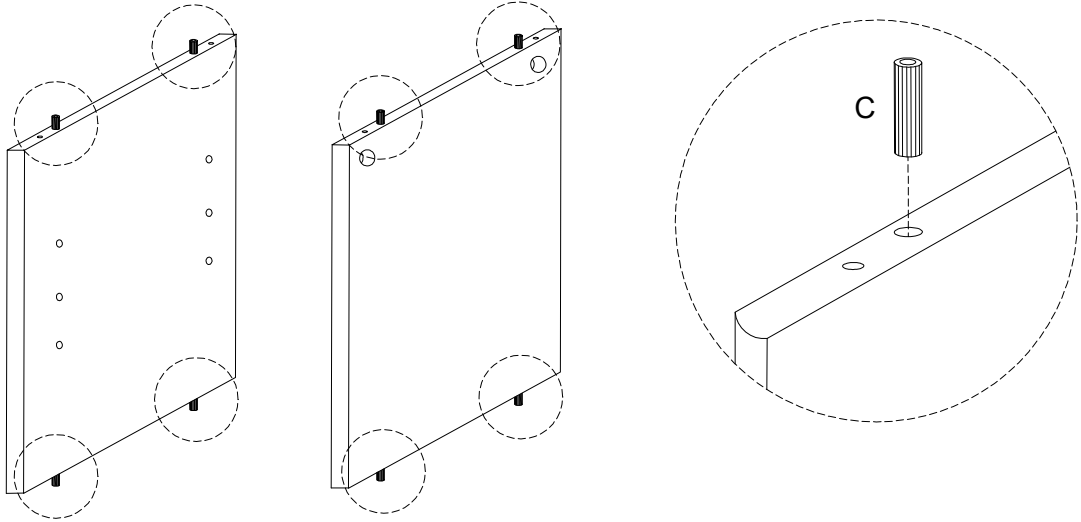
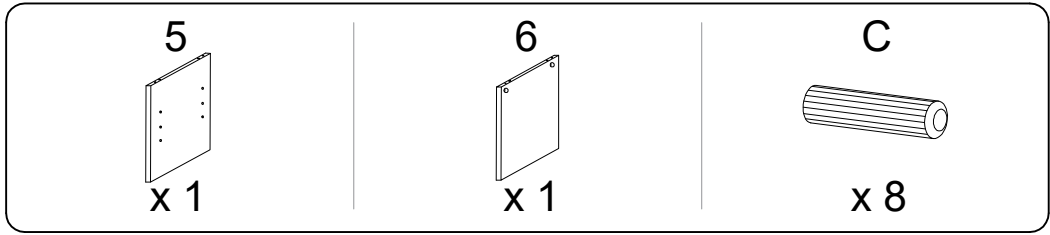


x 4

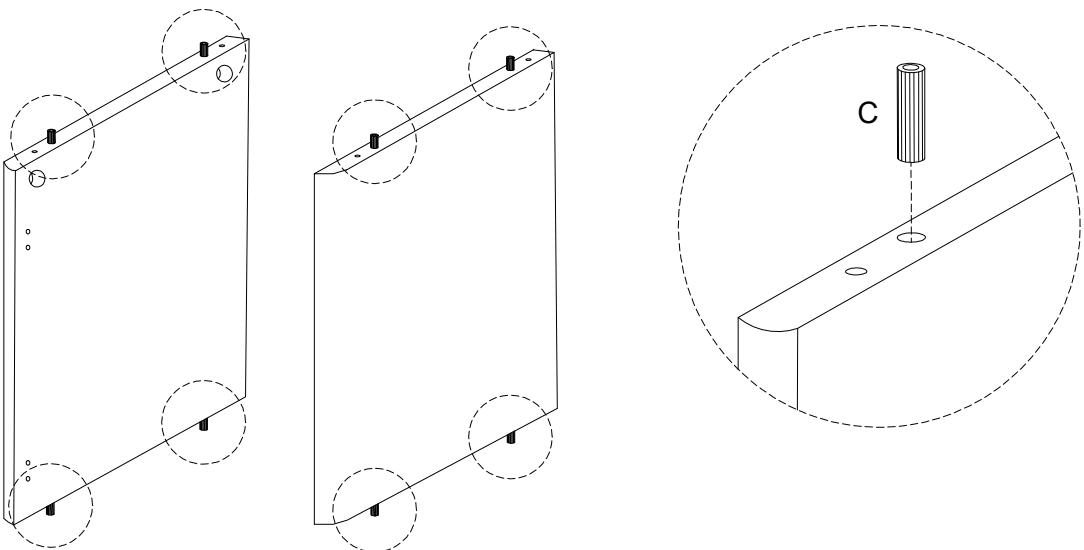
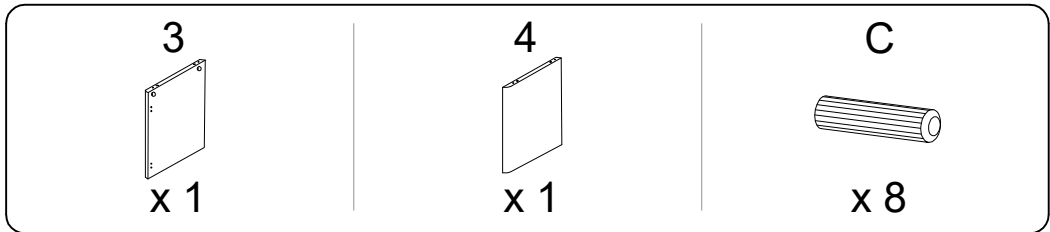
1



2



3



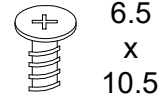
4

F



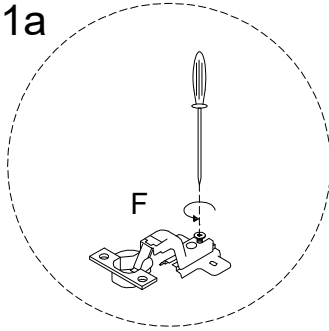
x 4

G

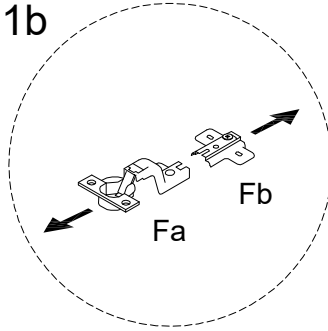


x 8

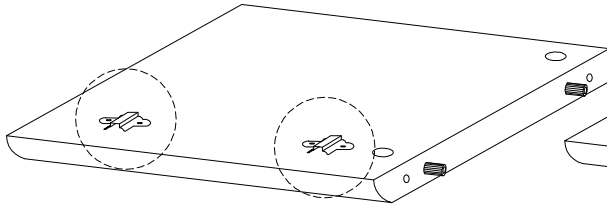
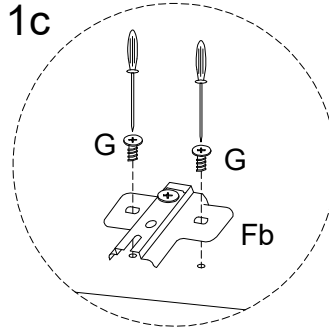
1a



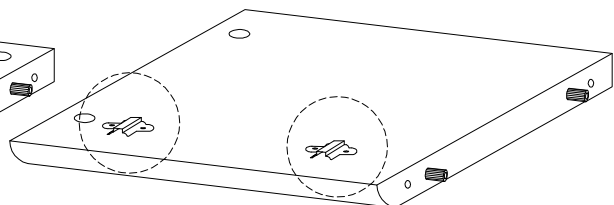
1b



1c



4



3

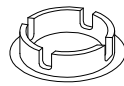
5

B



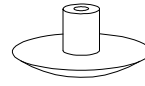
x 8

K

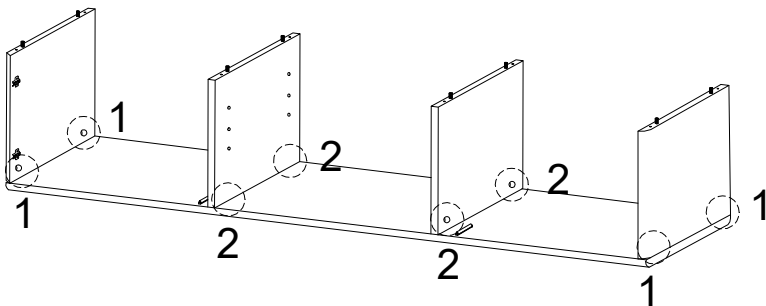


x 4

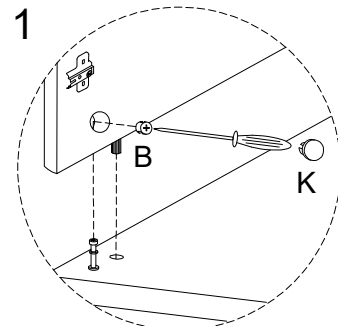
L



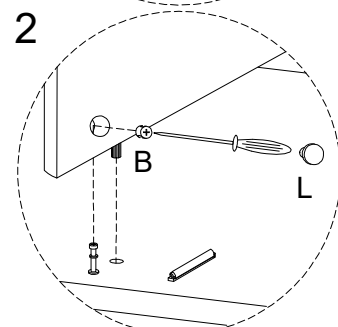
x 4



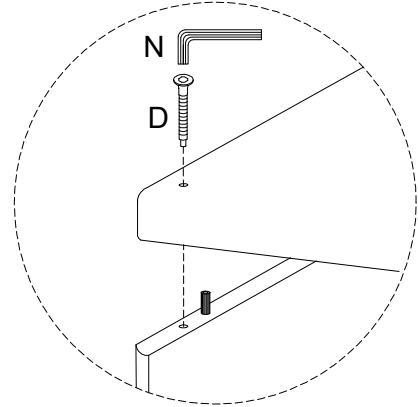
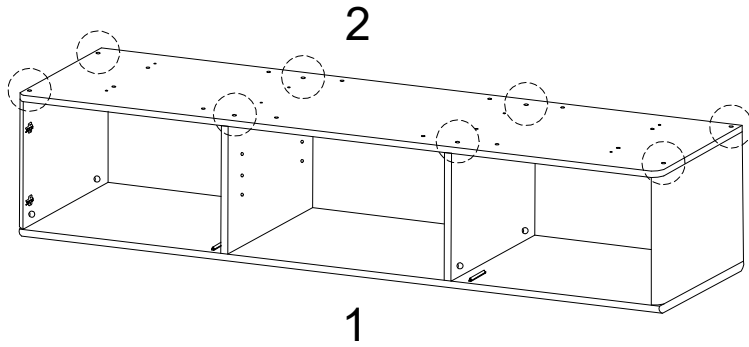
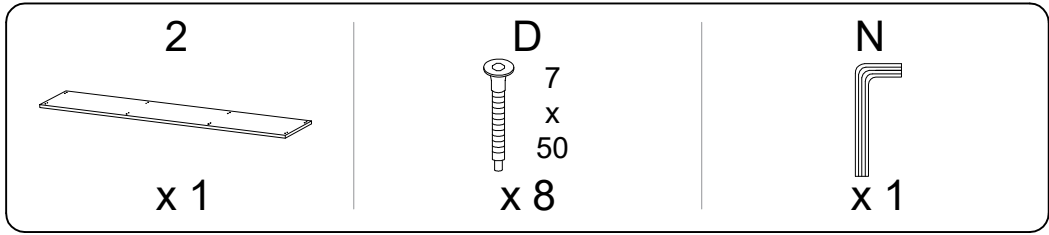
1



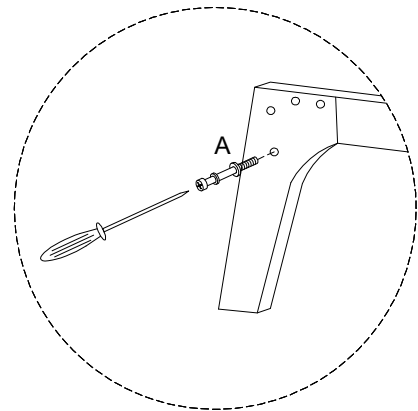
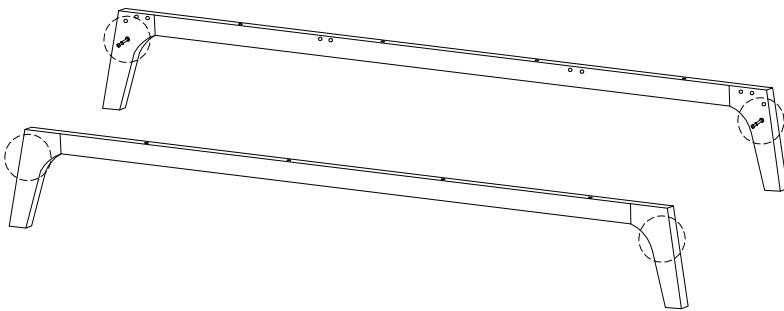
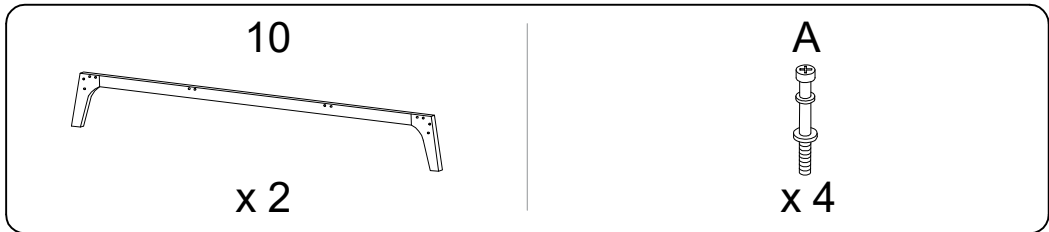
2



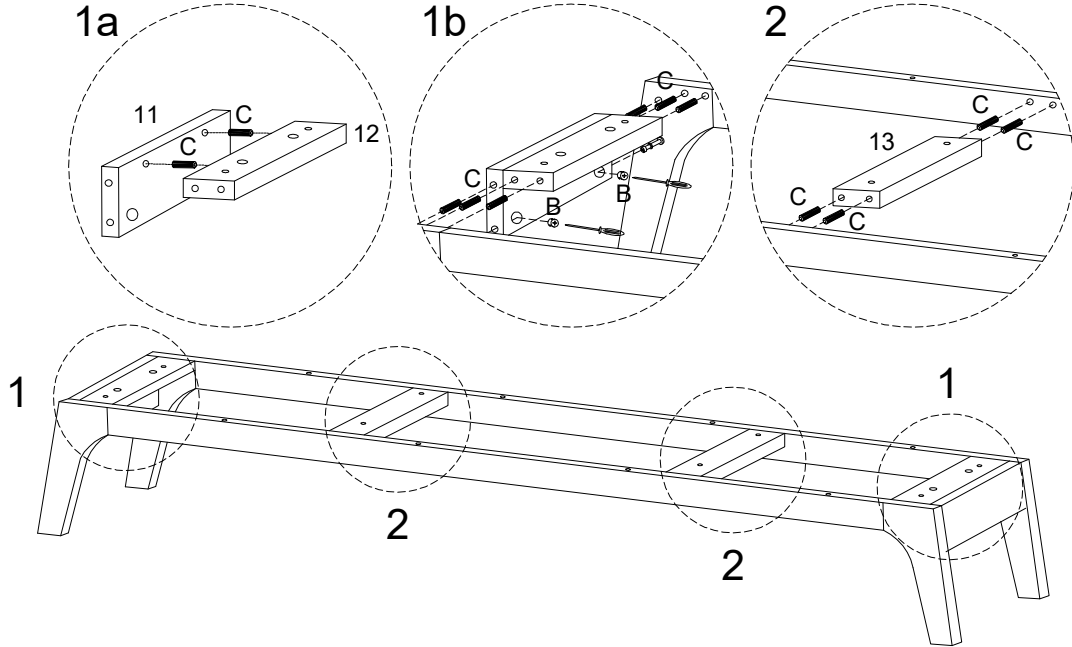
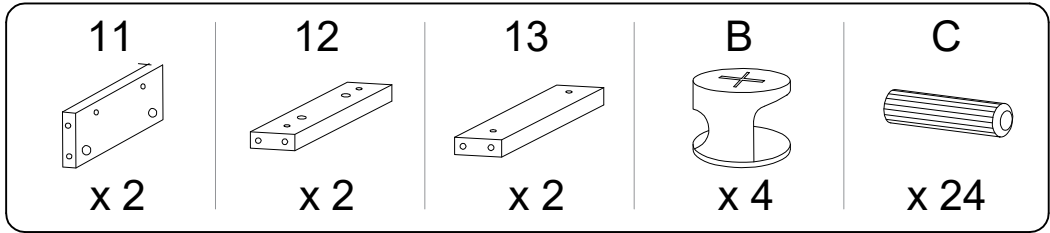
6



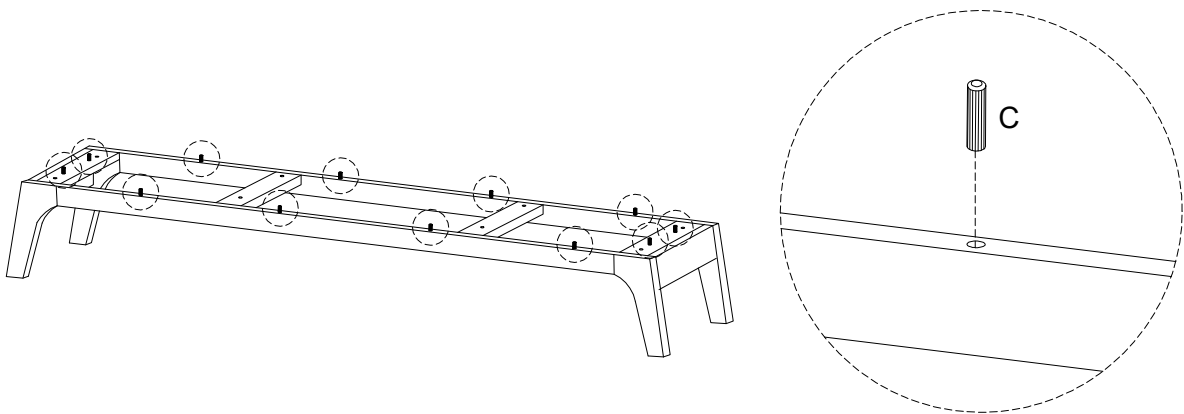
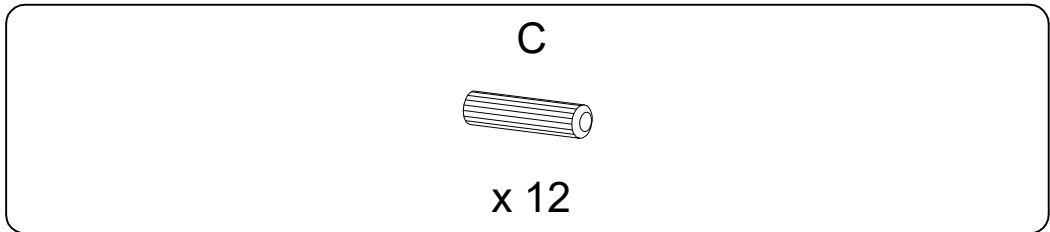
7



8

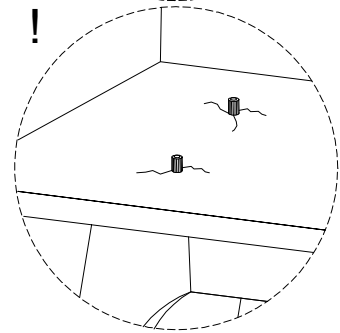
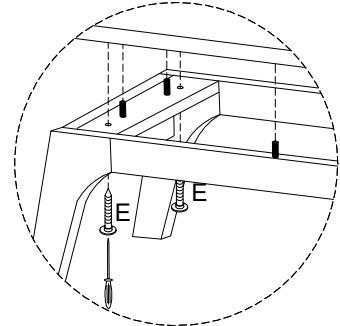
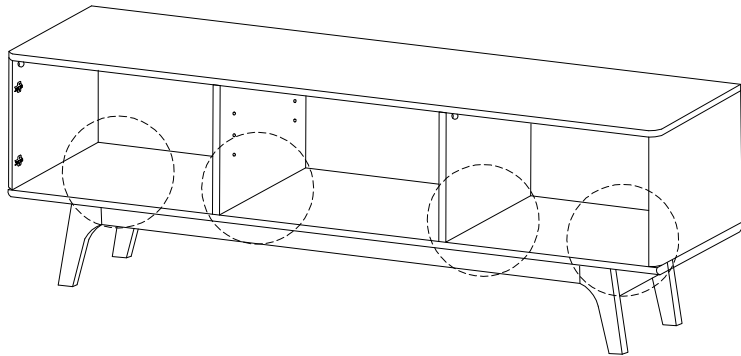


9



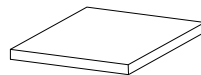
10

E
12
x
35
x 8

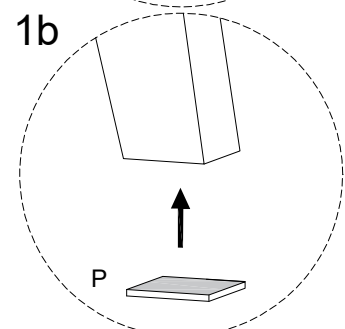
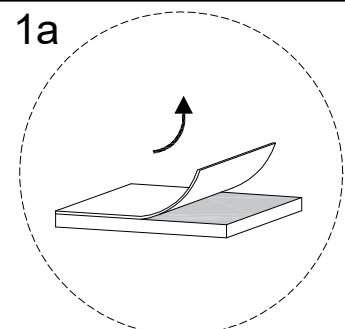
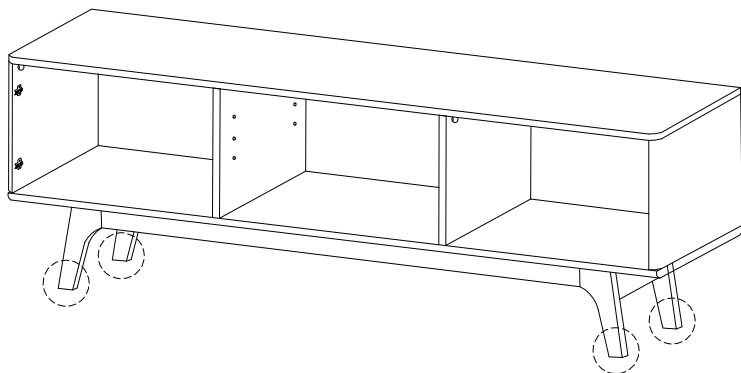


11

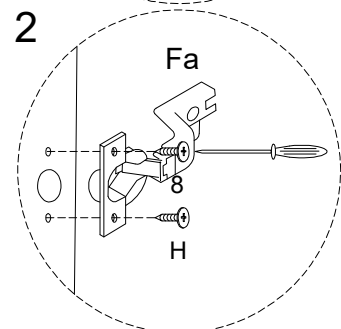
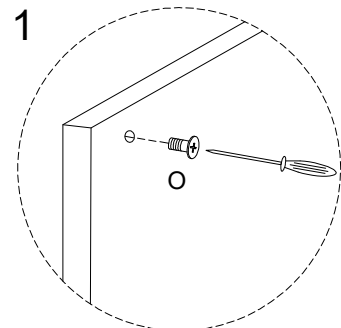
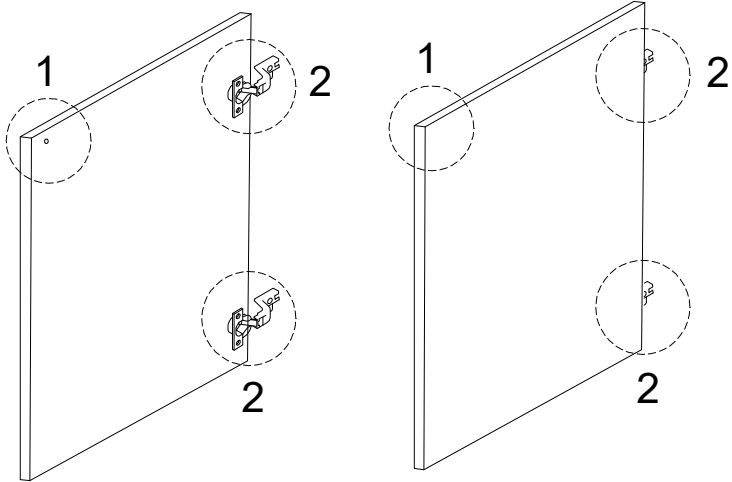
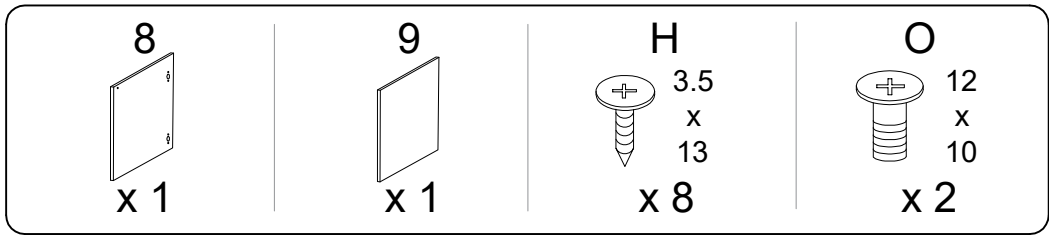
P



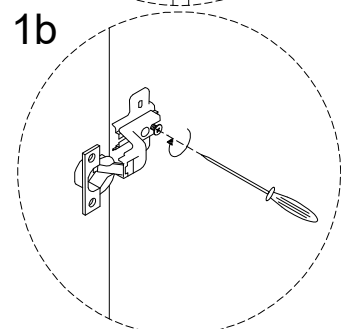
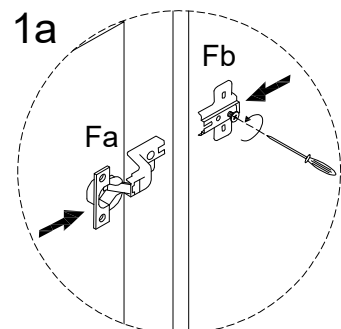
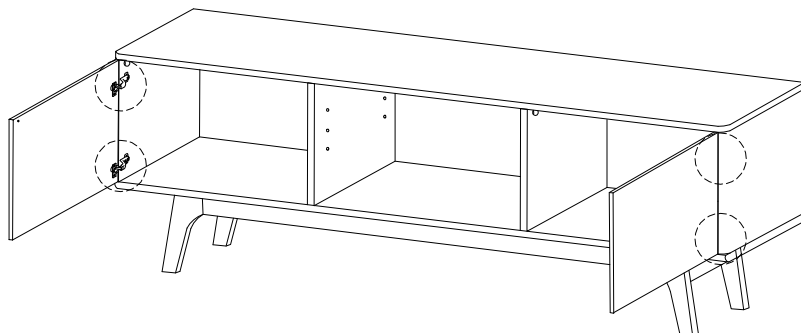
x 4



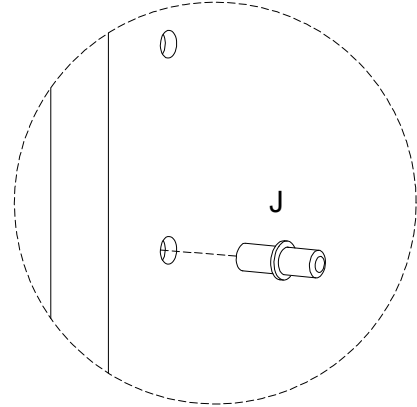
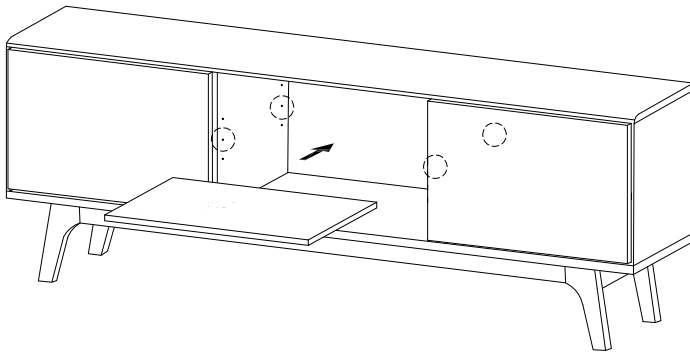
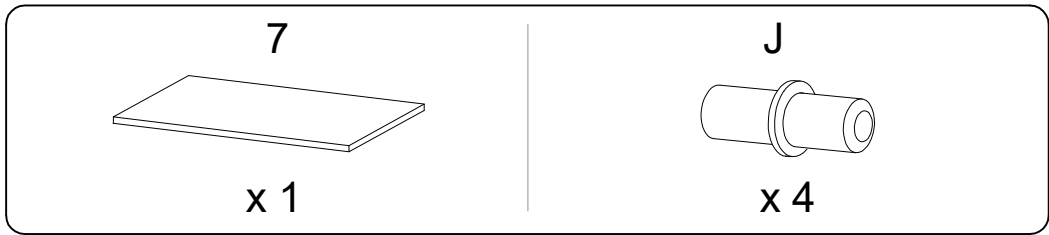
12



13



14



15

