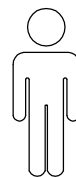
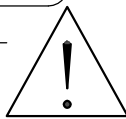
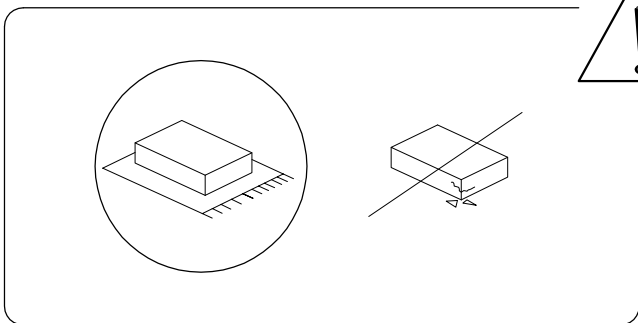
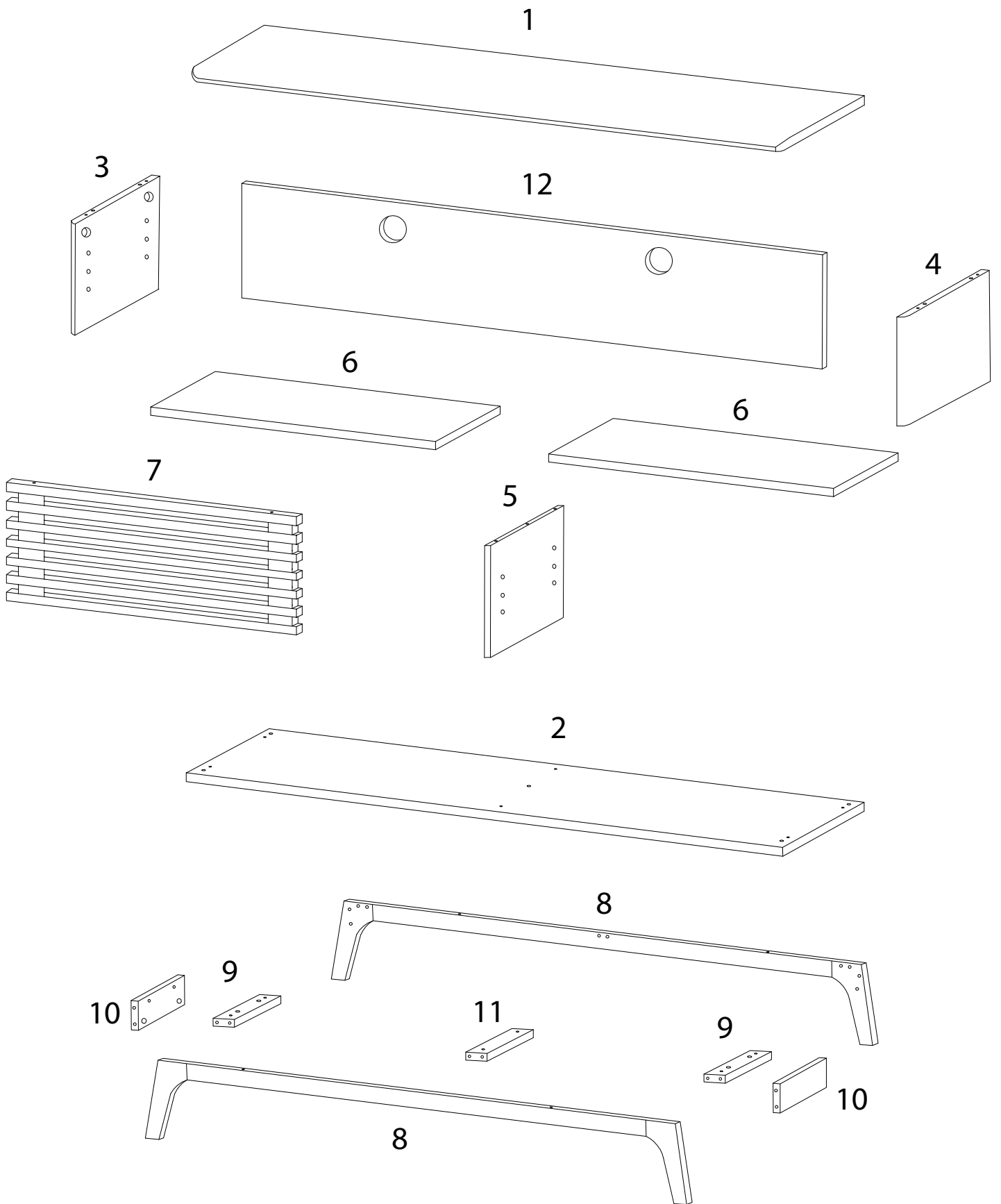


60'



2

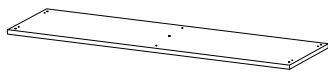


1



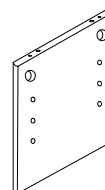
x 1

2



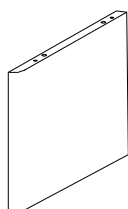
x 1

3



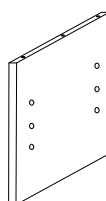
x 1

4



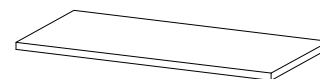
x 1

5



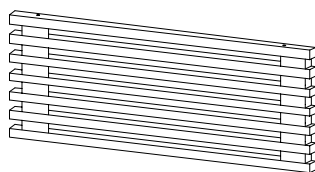
x 1

6



x 2

7



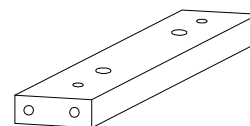
x 1

8



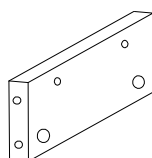
x 2

9



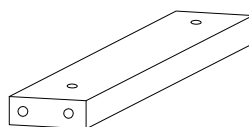
x 2

10



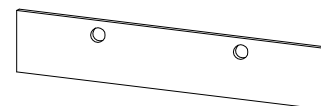
x 2

11



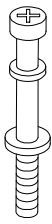
x 1

12



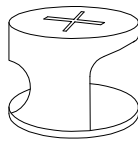
x 1

A



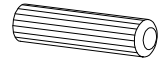
x 9

B



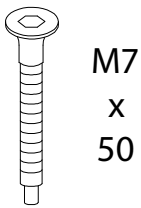
x 9

C



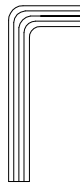
x 40

D



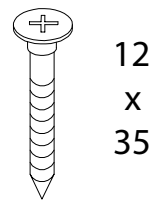
x 5

E



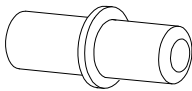
x 1

F



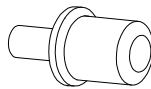
x 6

G



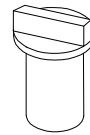
x 8

H



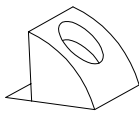
x 2

I



x 2

J



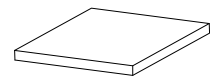
x 8

K



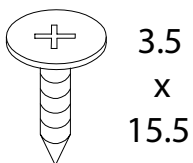
x 2

L



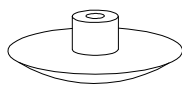
x 4

M



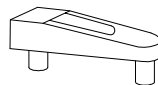
x 8

N



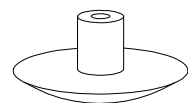
x 3

O



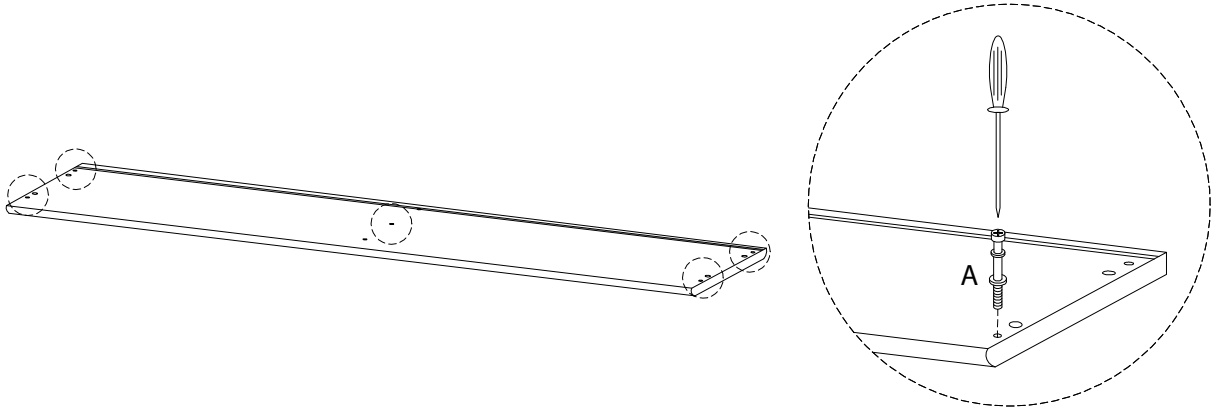
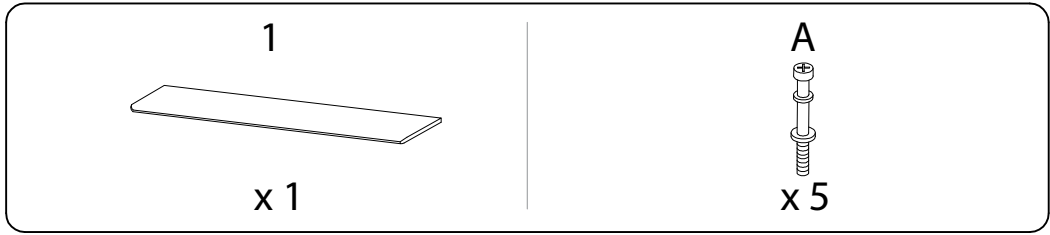
x 1

P

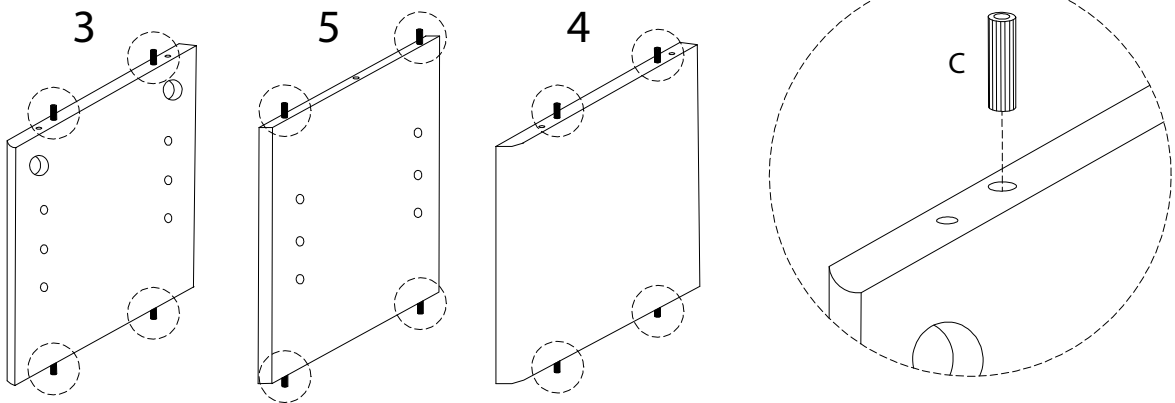
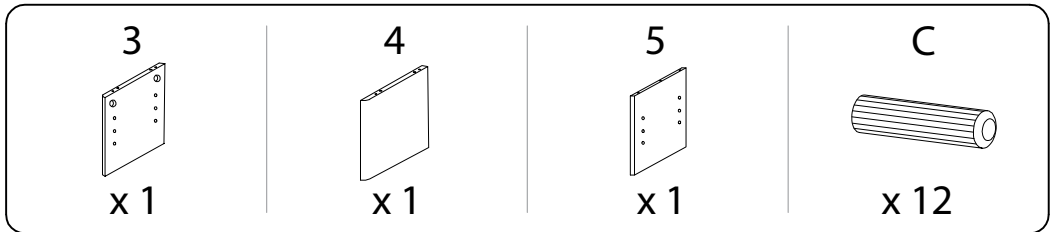


x 2

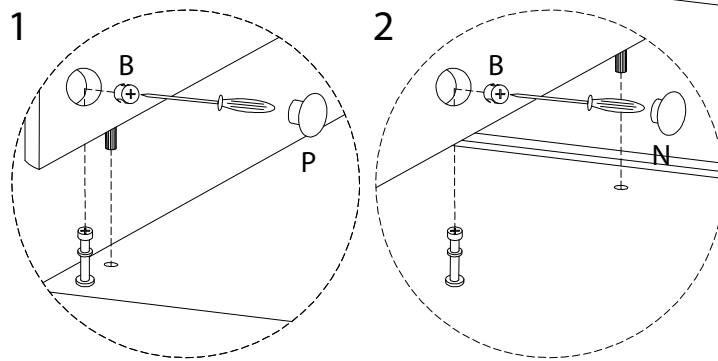
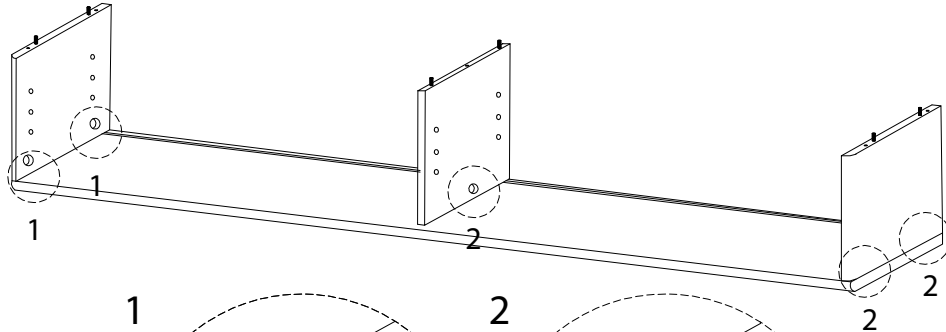
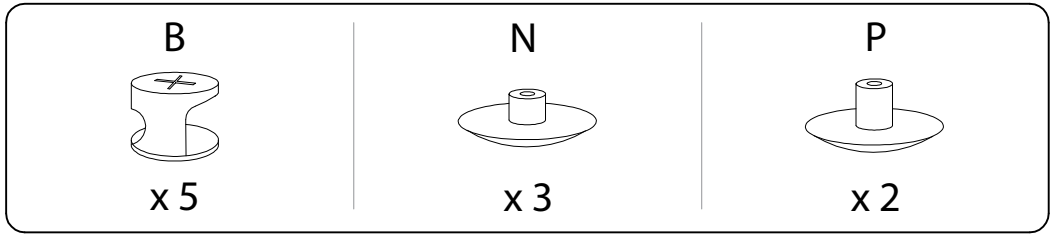
1



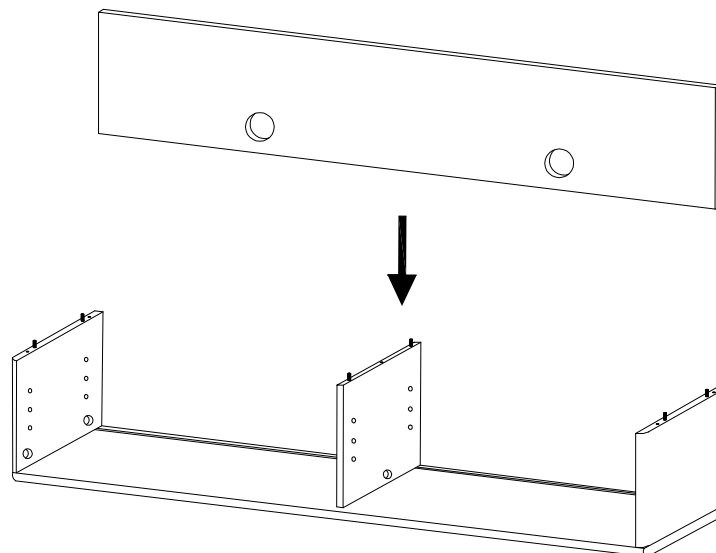
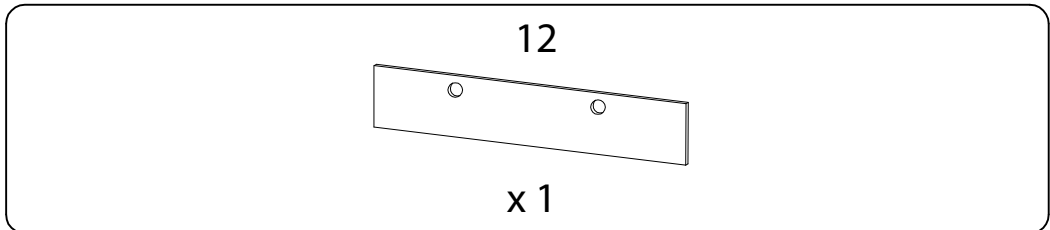
2



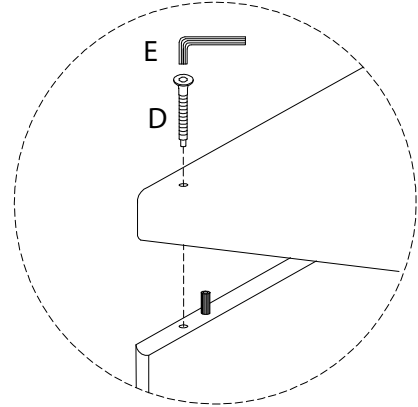
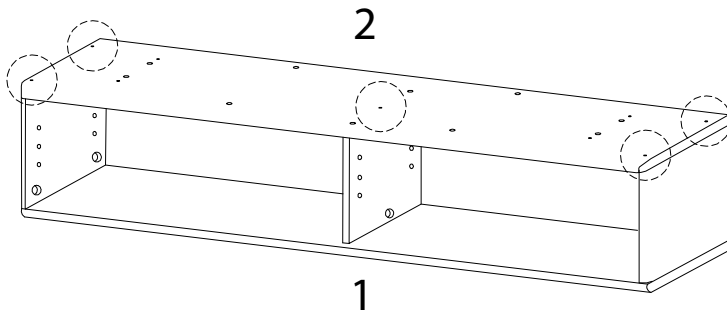
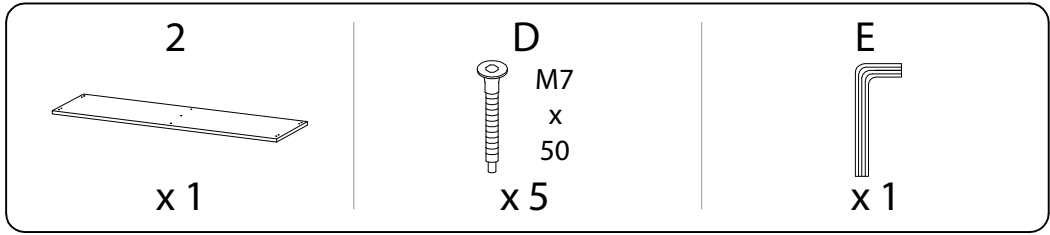
3



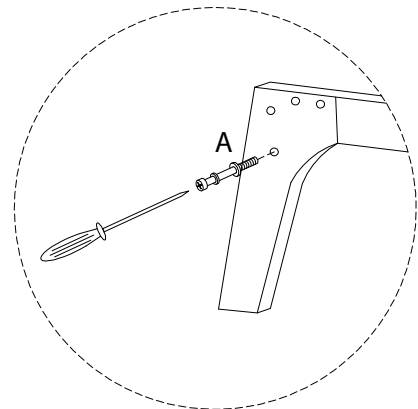
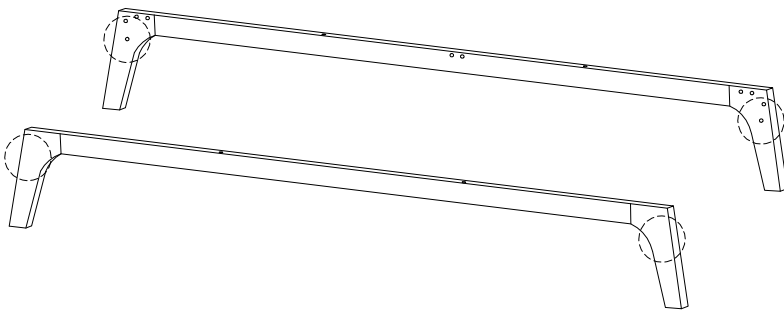
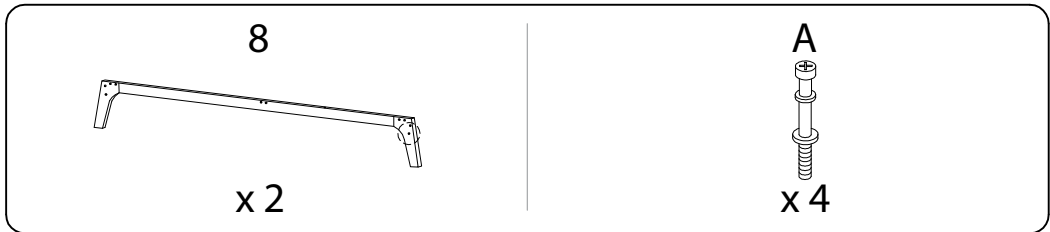
4



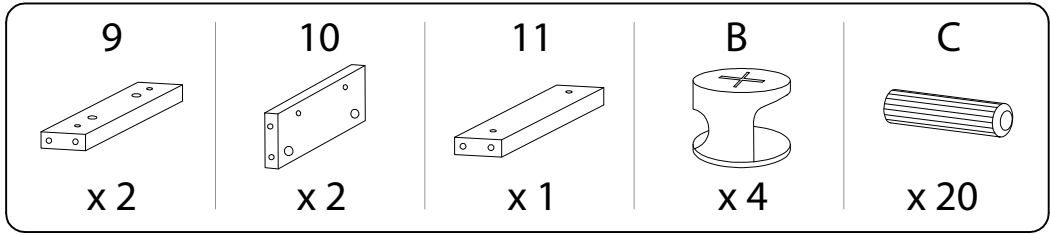
5



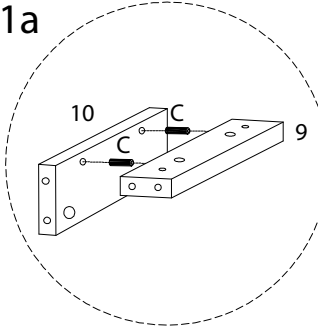
6



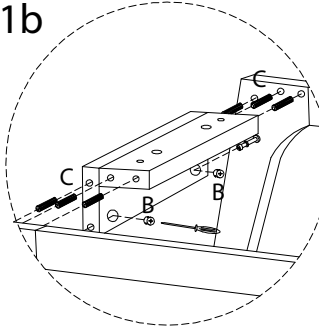
7



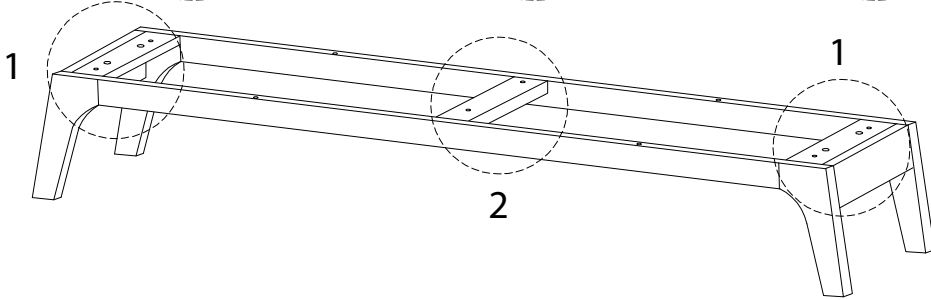
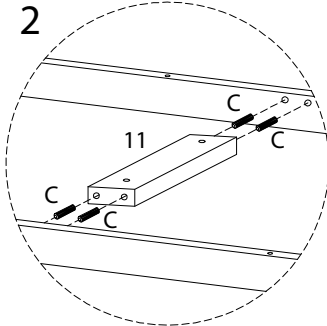
1a



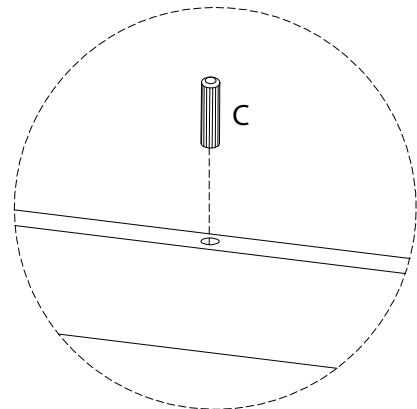
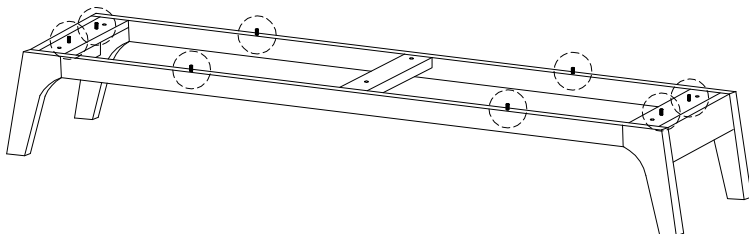
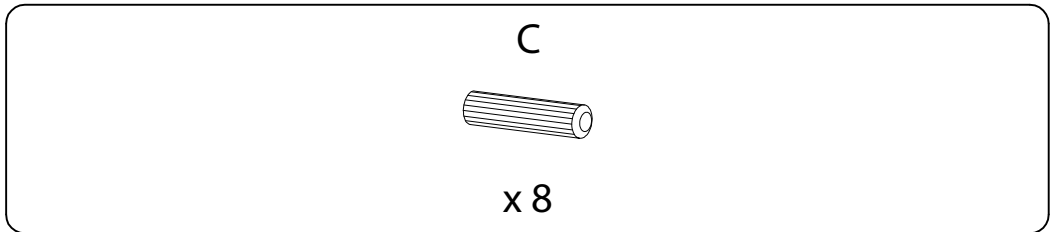
1b



2

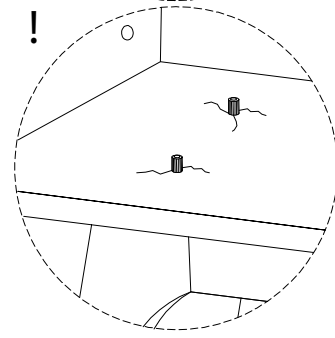
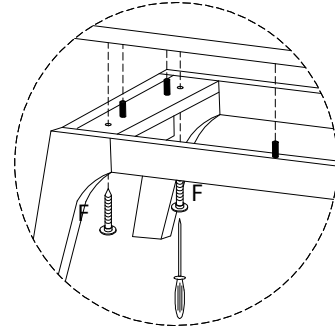
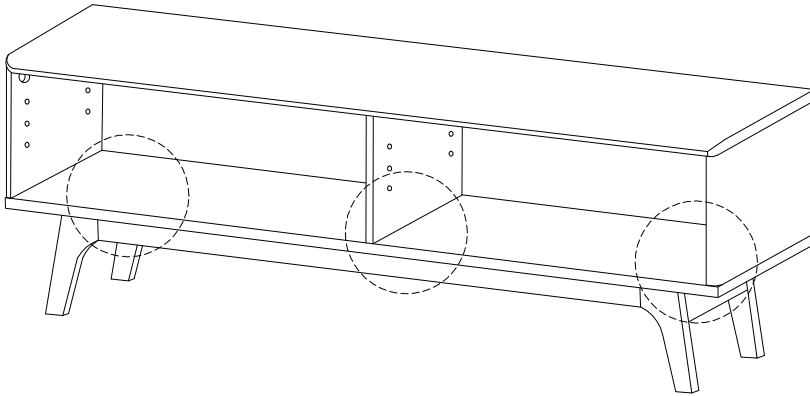


8



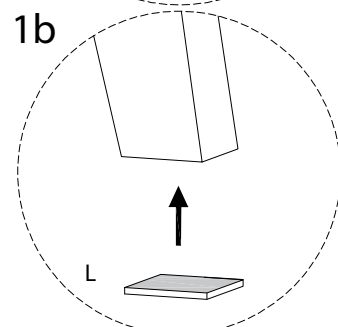
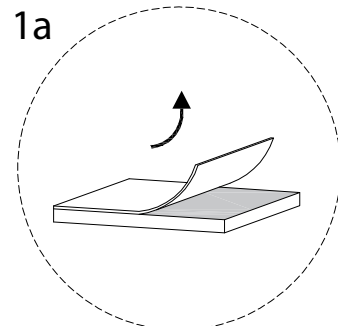
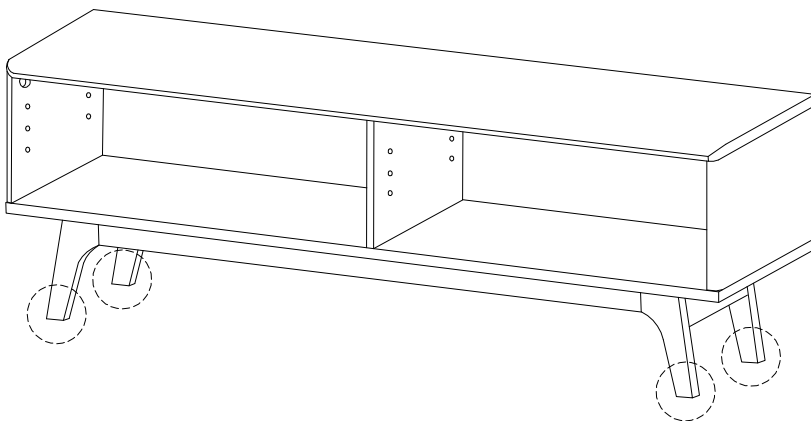
9

F
12
x
35
x6

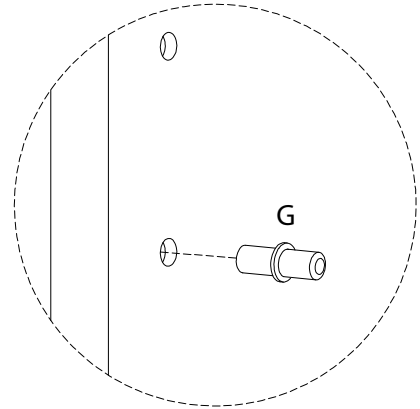
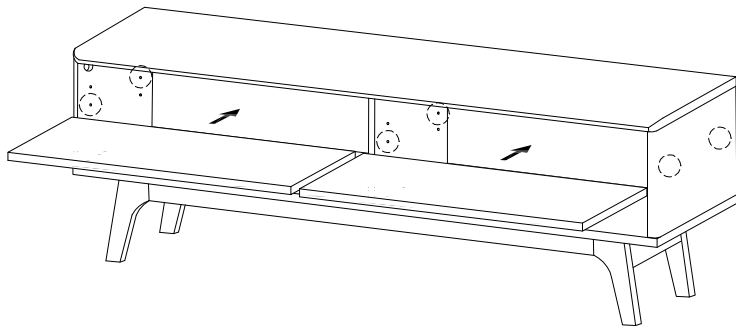
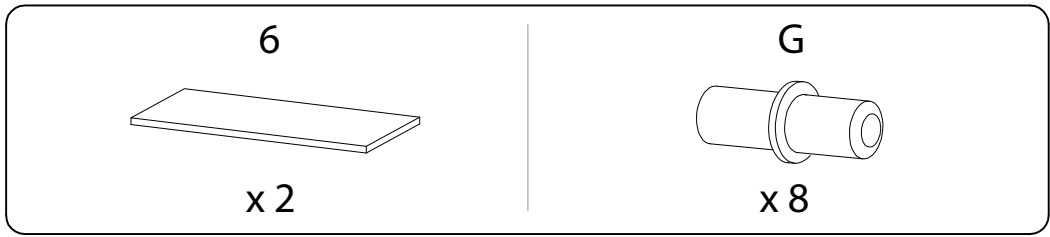


10

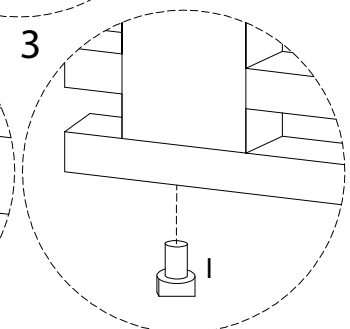
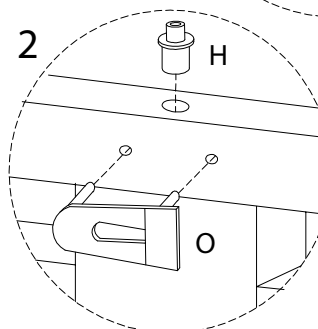
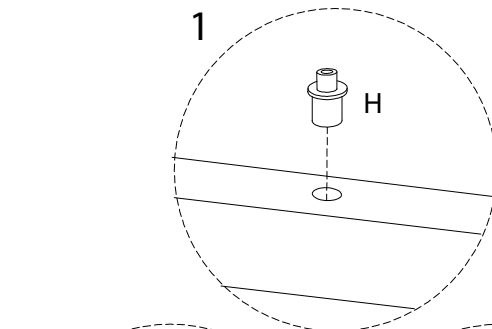
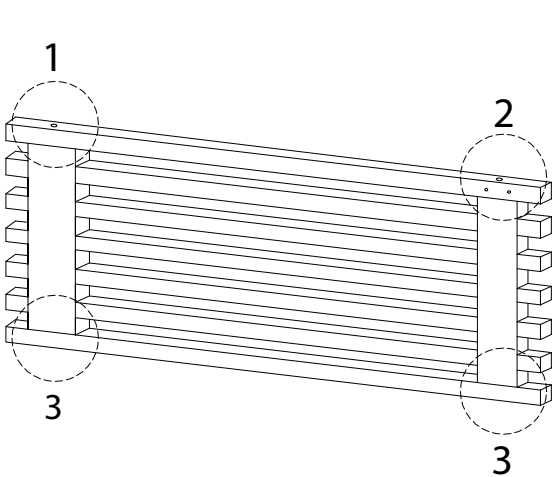
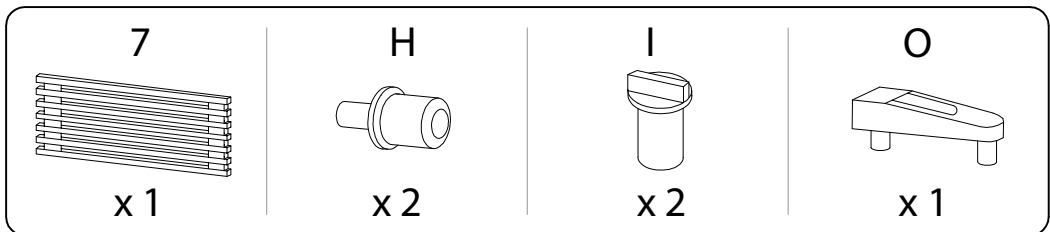
L
x4



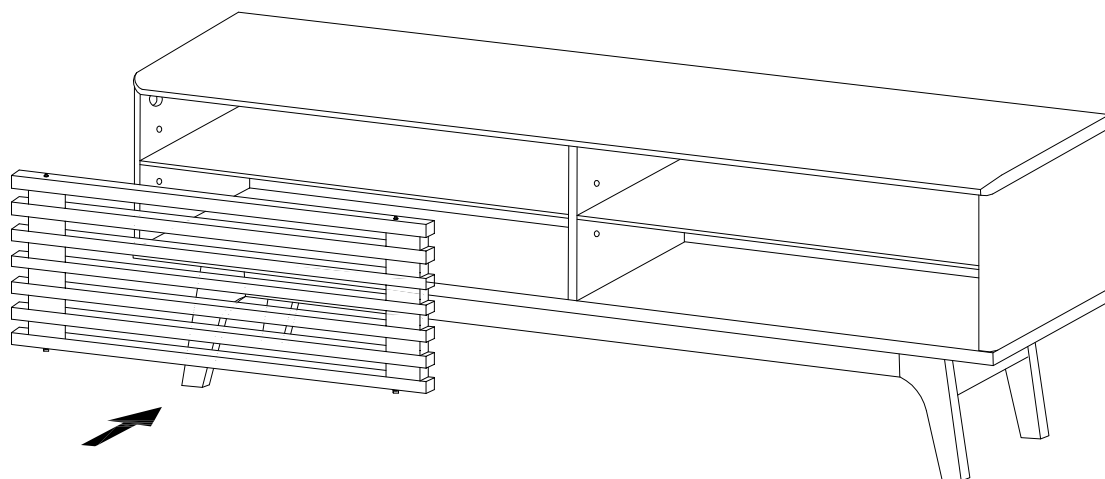
11



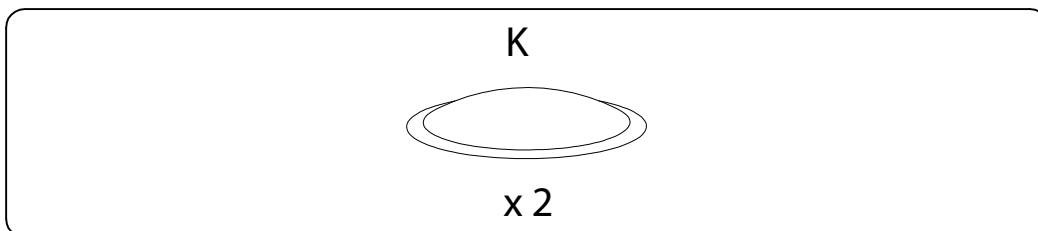
12



13



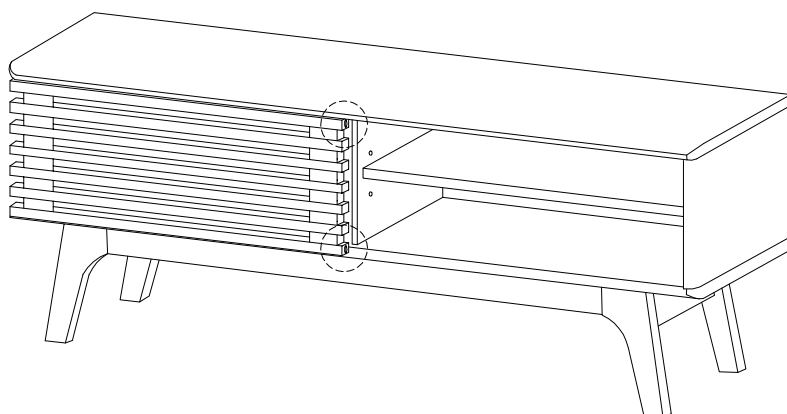
14



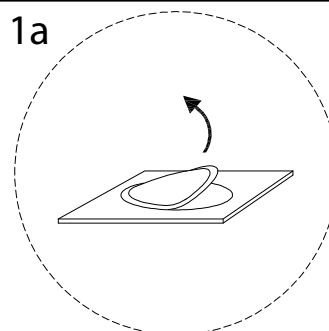
K



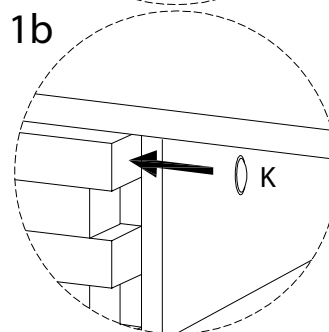
x 2



1a

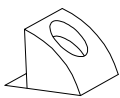


1b



16

J



x 8

M



3.5
x
15.5

x 8

