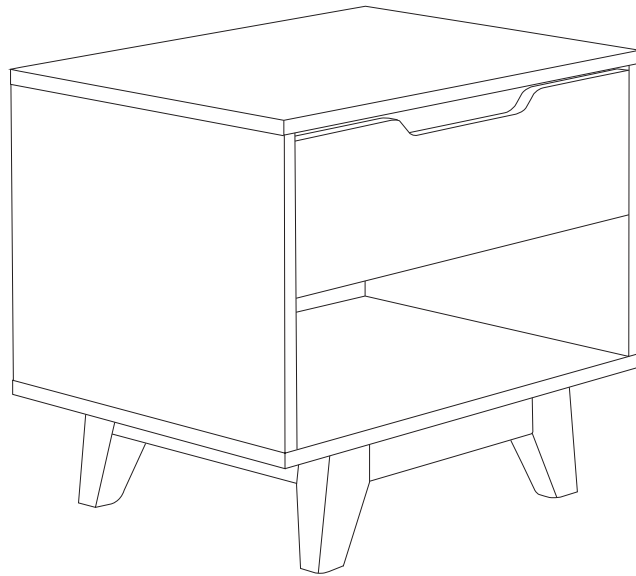


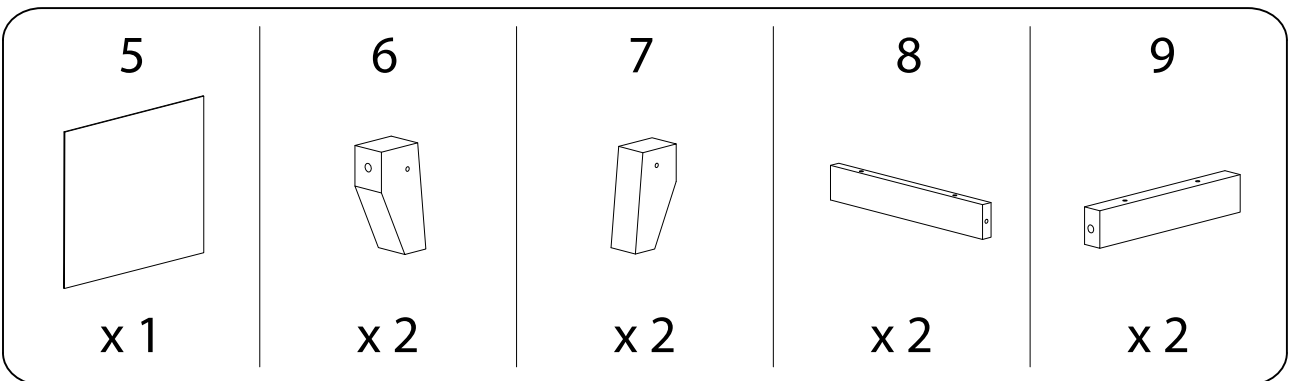
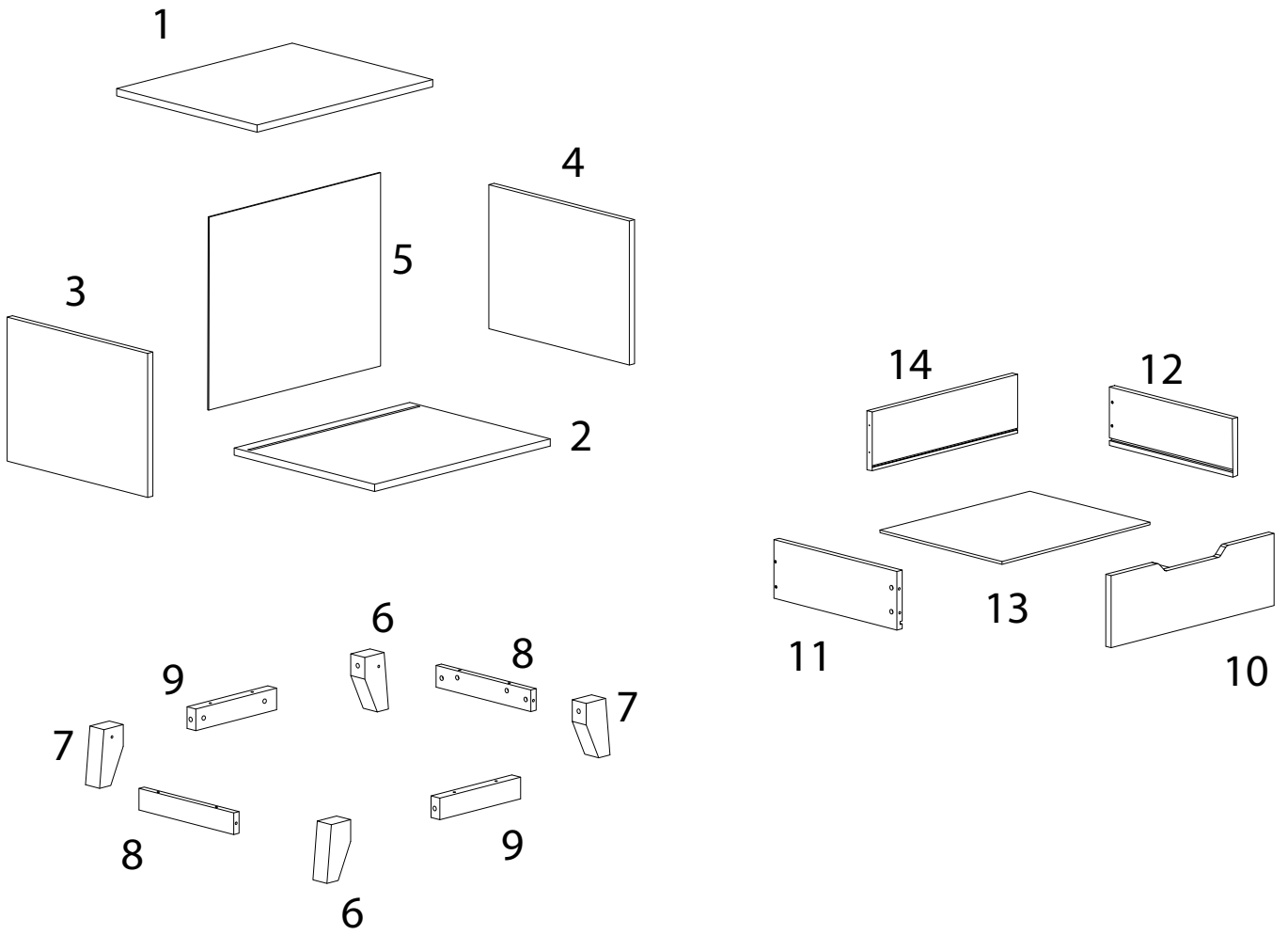
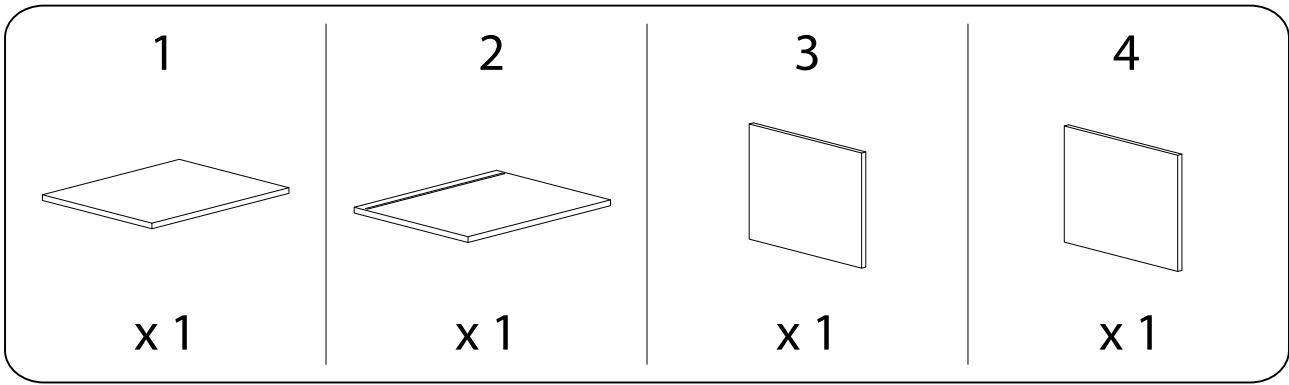
SPENCER

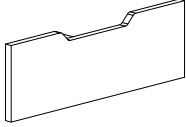
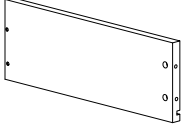
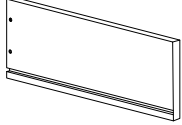
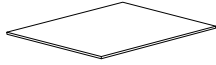
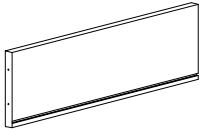
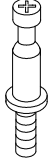
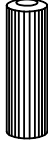

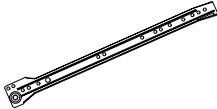
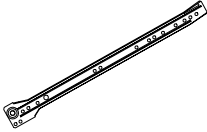
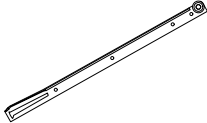
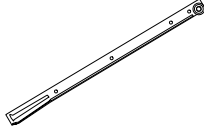
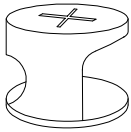
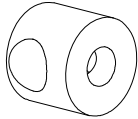
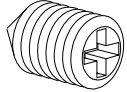

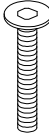

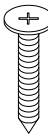
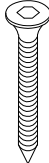




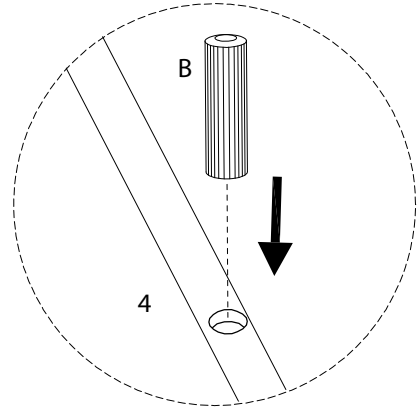
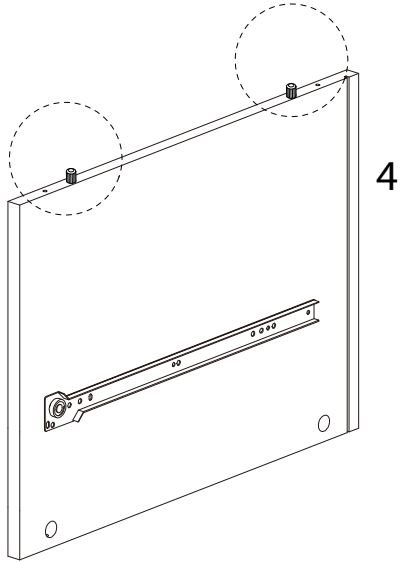
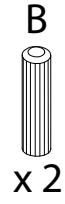
Assembly instructions for step 1/16:

- Tools:** A circle containing a screwdriver and an L-shaped hex key. A power drill is shown with a diagonal line through it, indicating it is not to be used.
- Warning:** A triangle with an exclamation mark.
- Time:** A clock icon with the text "45'" below it.
- Personnel:** A stick figure icon with the number "1" below it.
- Diagram:** A circle showing a rectangular block being placed on a textured surface. A second diagram shows the block being secured with a screw from underneath, with a diagonal line through the screw indicating it is not to be used.

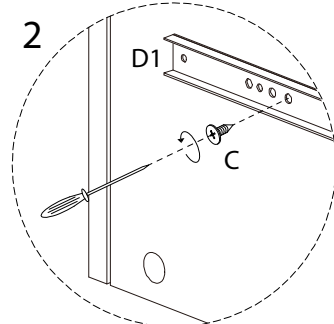
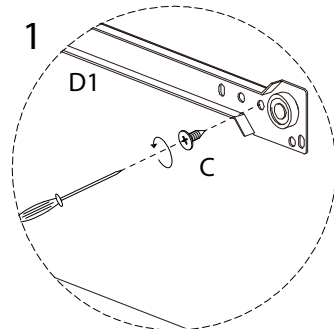
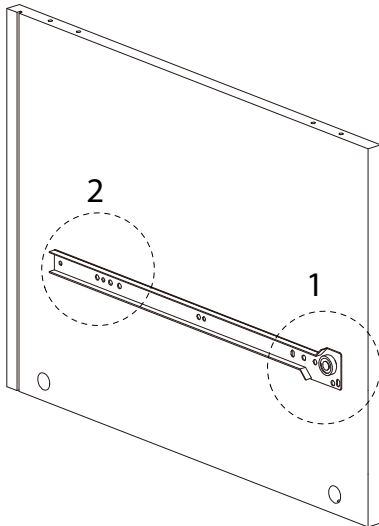
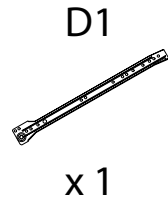
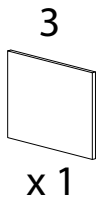


<p>10</p>  <p>x 1</p>	<p>11</p>  <p>x 1</p>	<p>12</p>  <p>x 1</p>	<p>13</p>  <p>x 1</p>
<p>14</p>  <p>x 1</p>	<p>A</p>  <p>x 16</p>	<p>B</p>  <p>x 8</p>	<p>C</p>  <p>M3.5 x 14</p> <p>x 8</p>
<p>D1</p>  <p>x 1</p>	<p>D2</p>  <p>x 1</p>	<p>D3</p>  <p>x 1</p>	<p>D4</p>  <p>x 1</p>
<p>E</p>  <p>x 16</p>	<p>F</p>  <p>x 4</p>	<p>G</p>  <p>x 4</p>	<p>H</p>  <p>x 4</p>
<p>I</p>  <p>M6 x 45</p> <p>x 4</p>	<p>J</p>  <p>x 1</p>	<p>K</p>  <p>M4 x 35</p> <p>x 4</p>	<p>L</p>  <p>M6 x 50</p> <p>x 4</p>

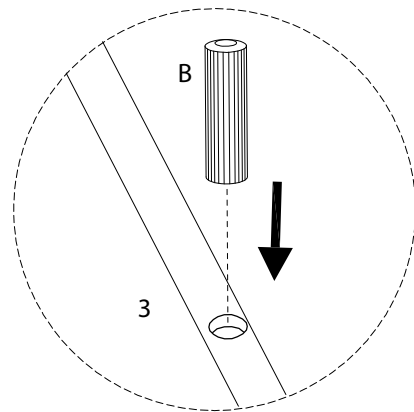
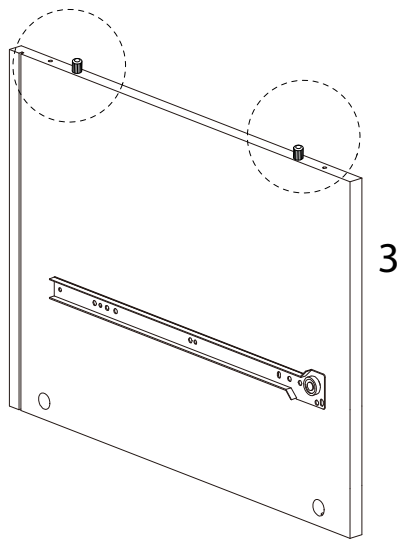
3



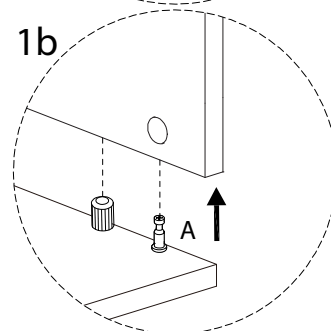
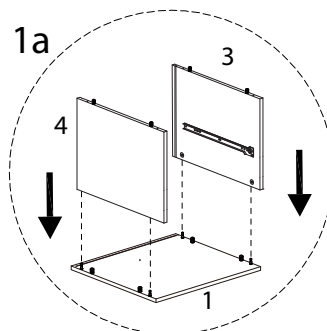
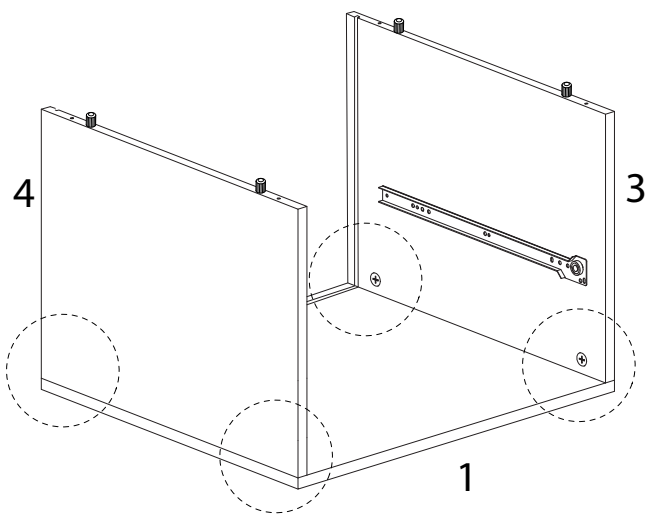
4



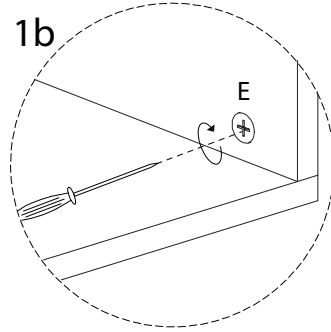
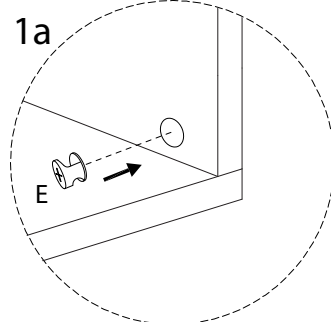
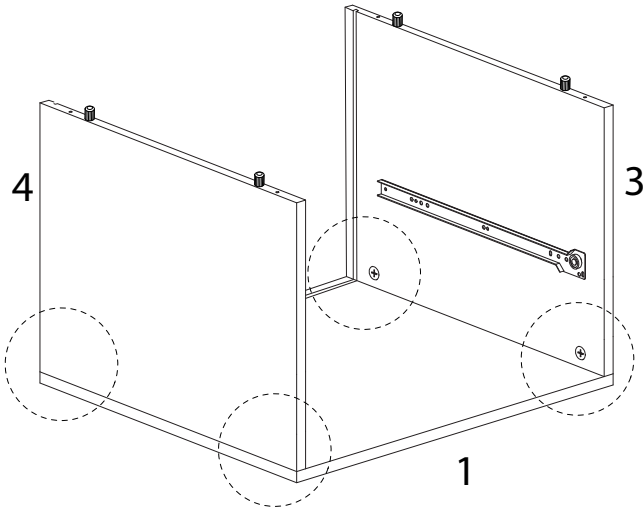
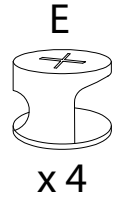
5



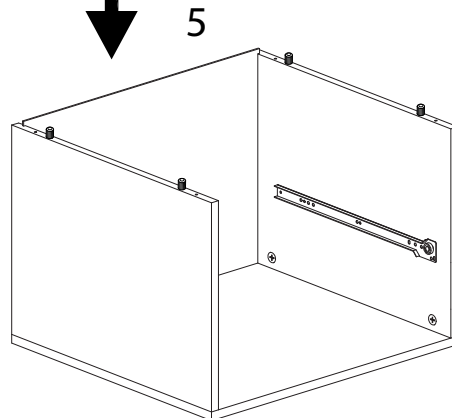
6



7

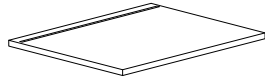


8



9

2

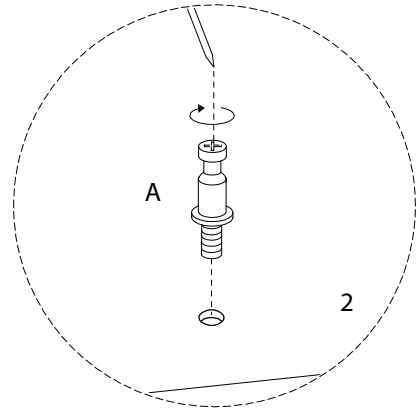
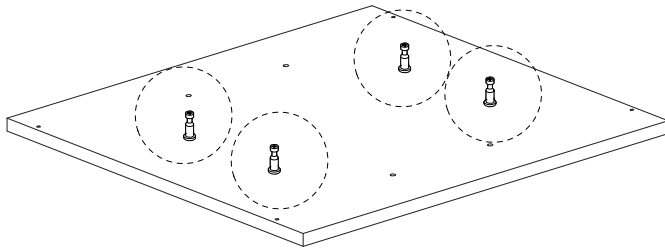


x 1

A

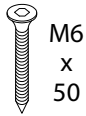


x 4



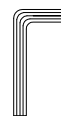
10

L

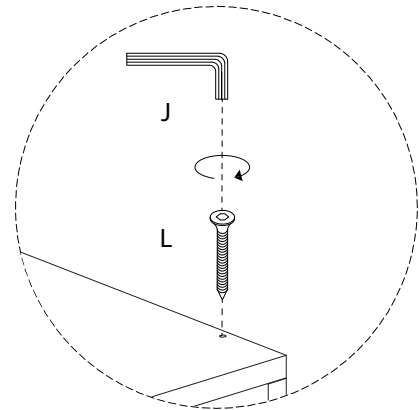
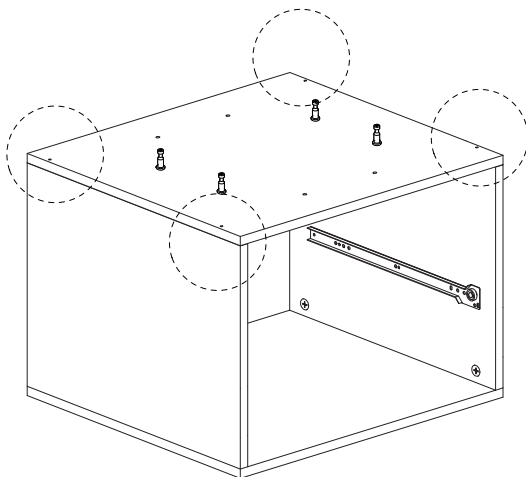


x 4

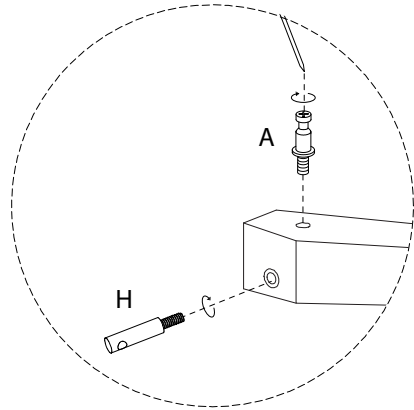
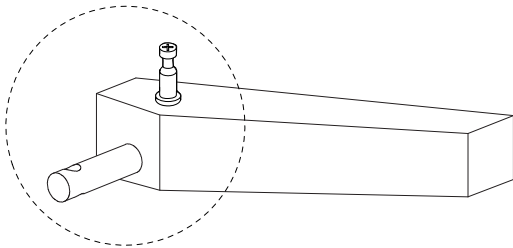
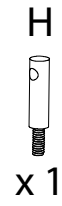
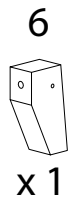
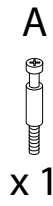
J



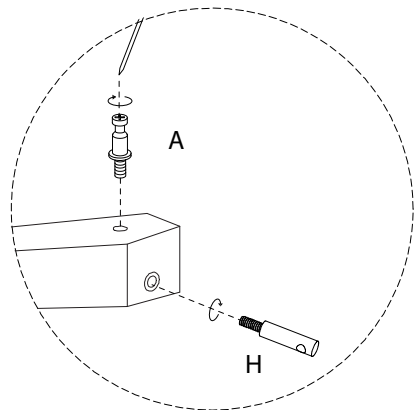
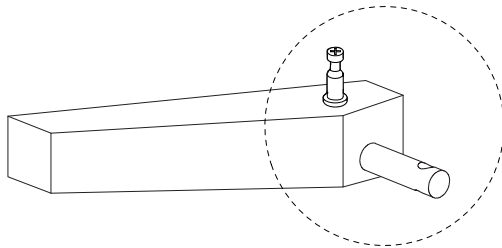
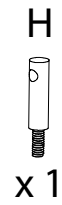
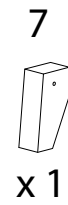
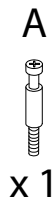
x 1



11 x 2

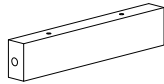


12 x 2



13 x 2

9

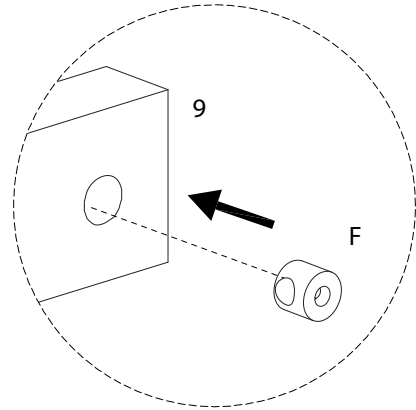
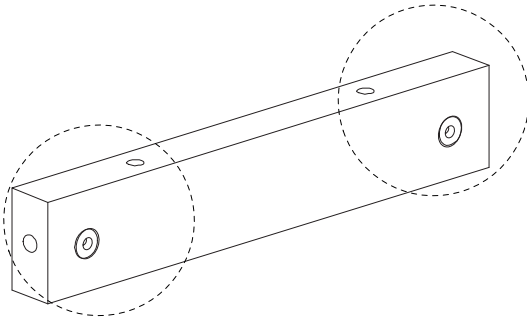


x 1

F

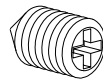


x 2

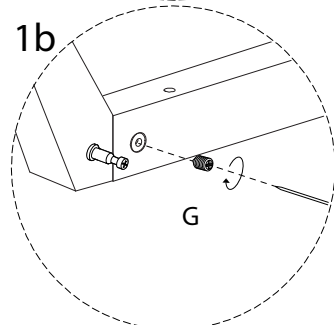
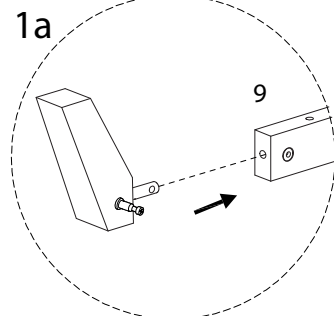
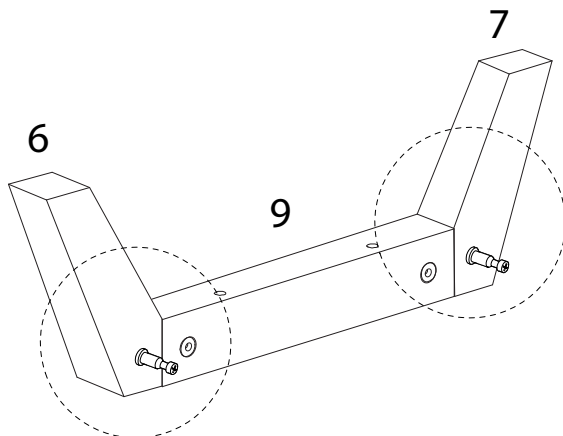


14 x 2

G

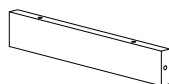


x 2

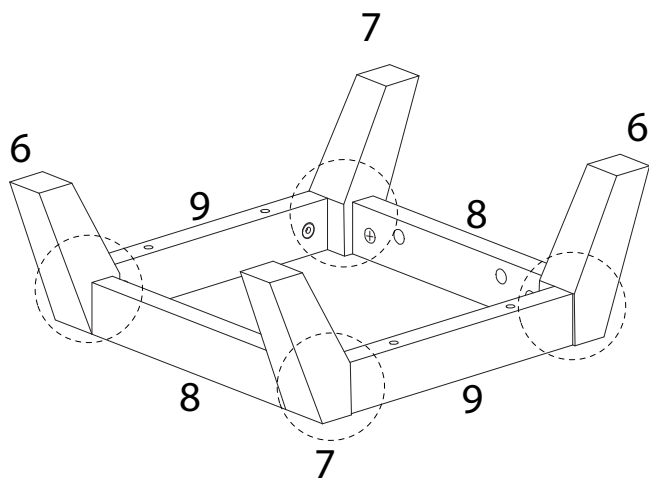


15

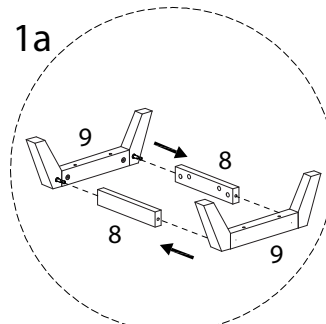
8



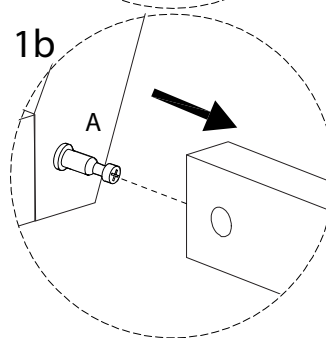
x 2



1a



1b

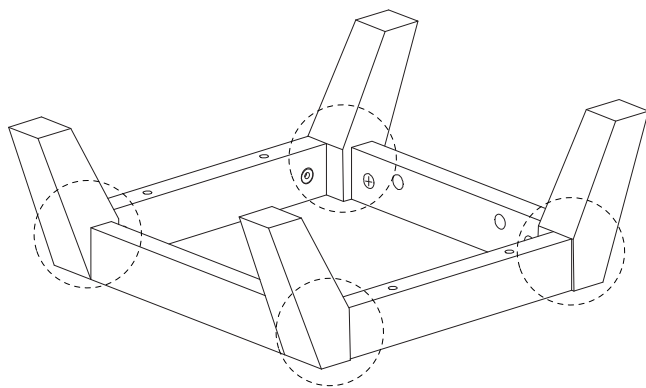


16

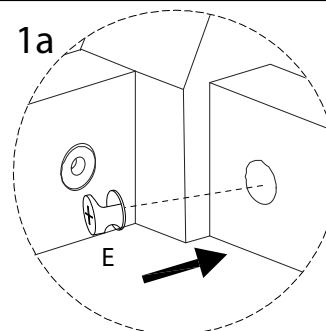
E



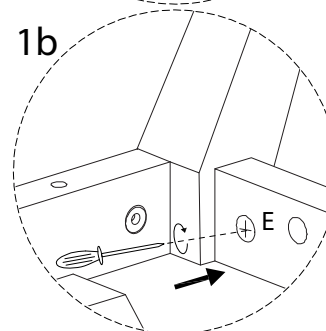
x 4



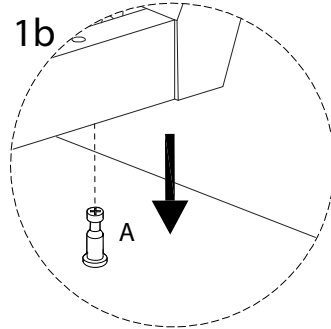
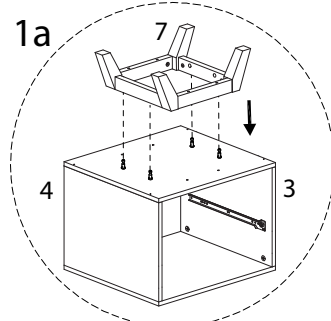
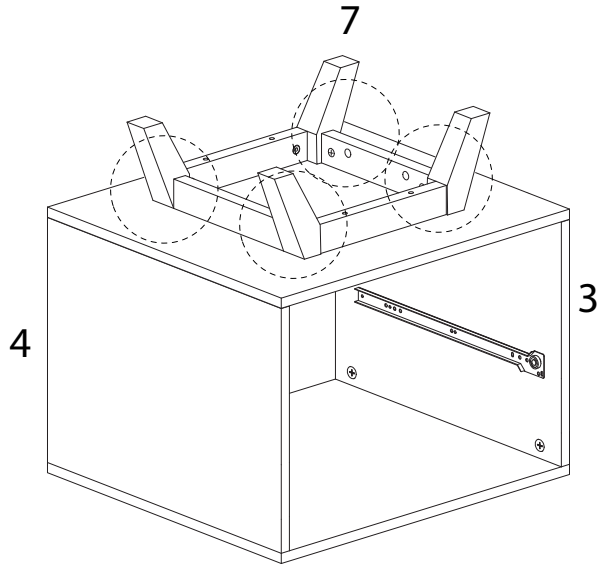
1a



1b



17

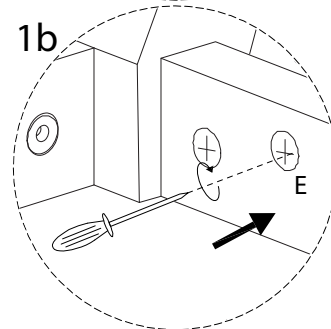
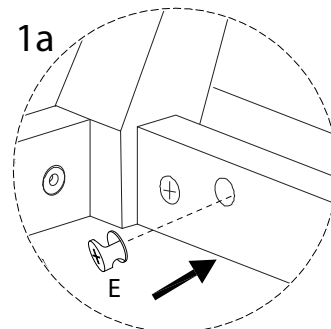
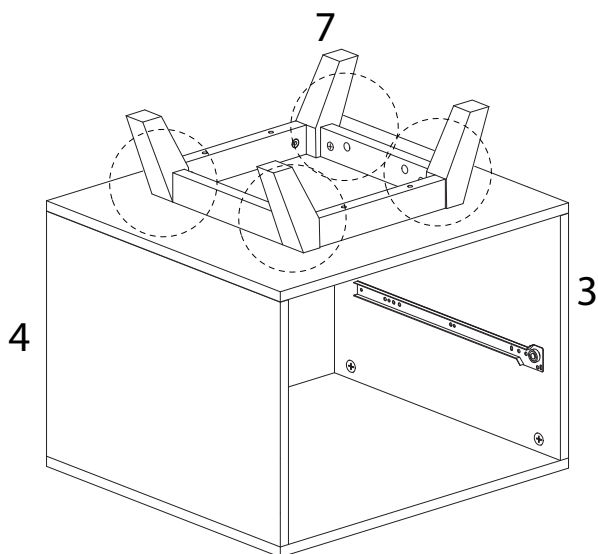


18

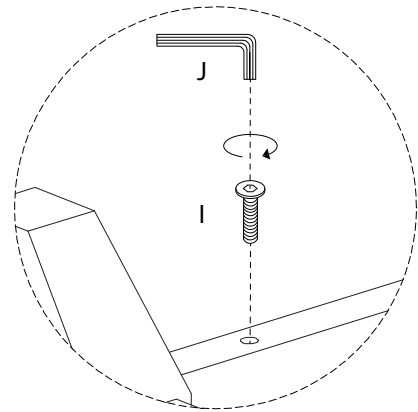
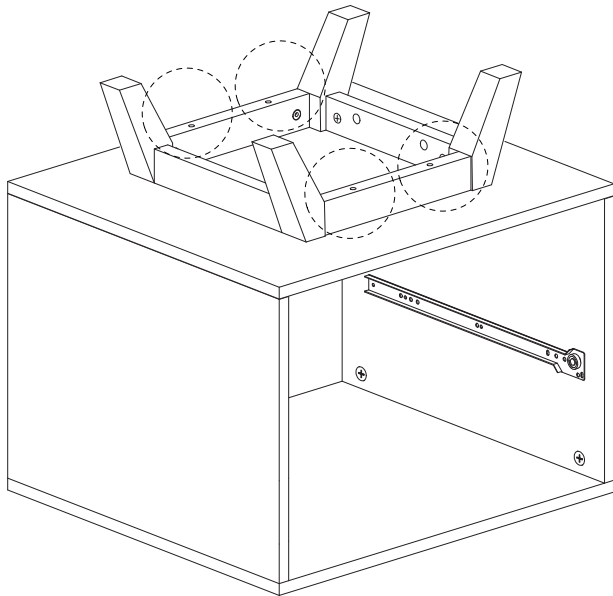
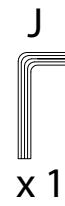
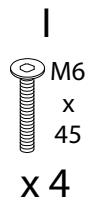
E



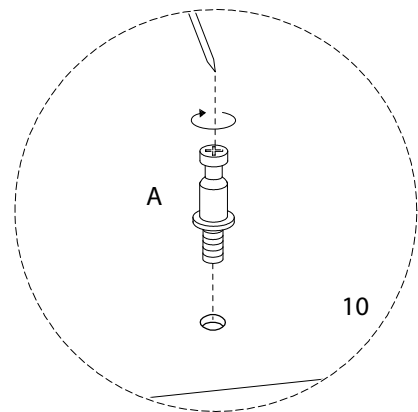
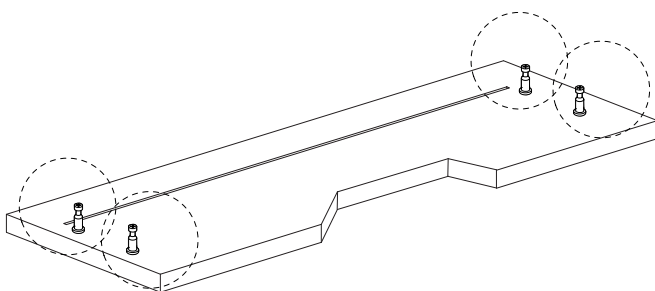
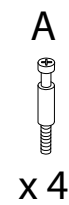
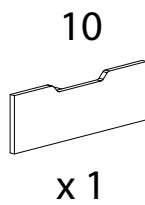
x 4



19

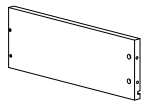


20



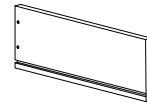
21

11



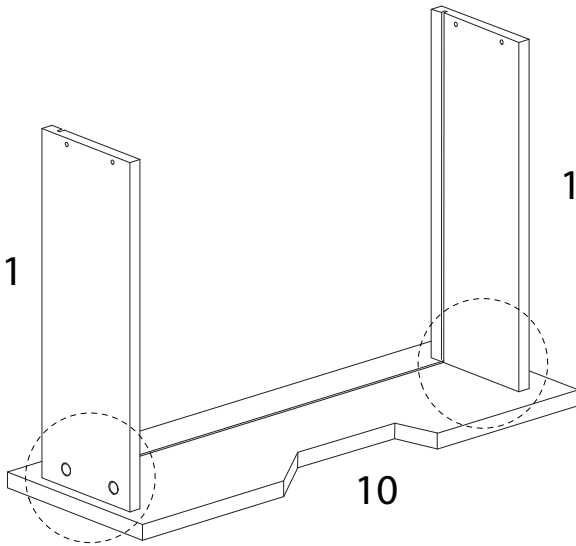
x 1

12



x 1

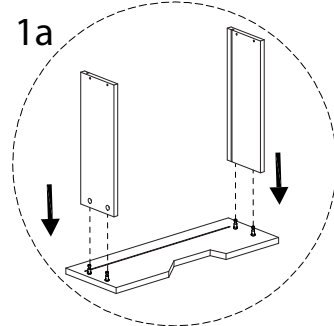
11



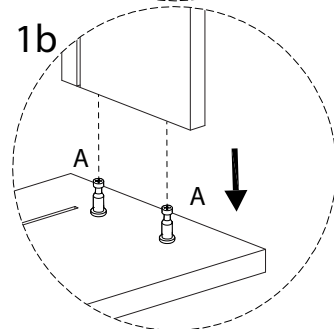
12

10

1a



1b



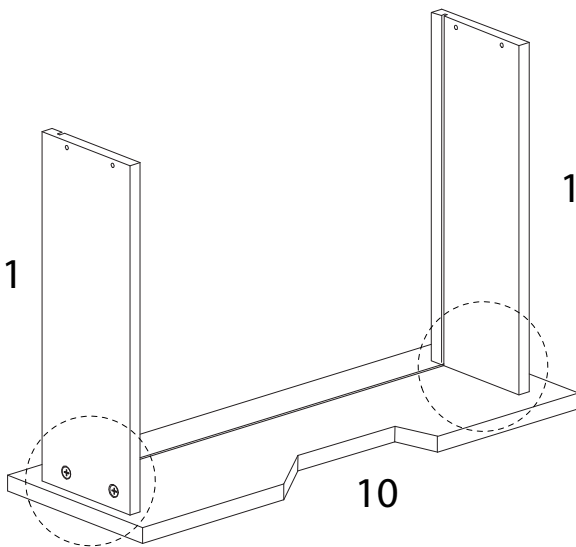
22

E



x 4

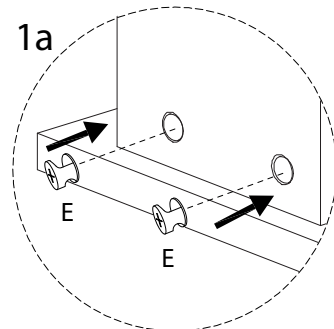
11



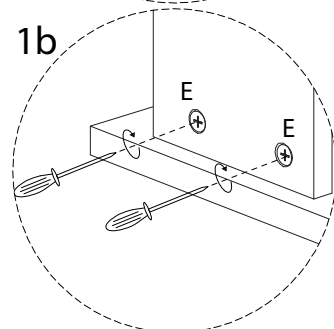
12

10

1a



1b

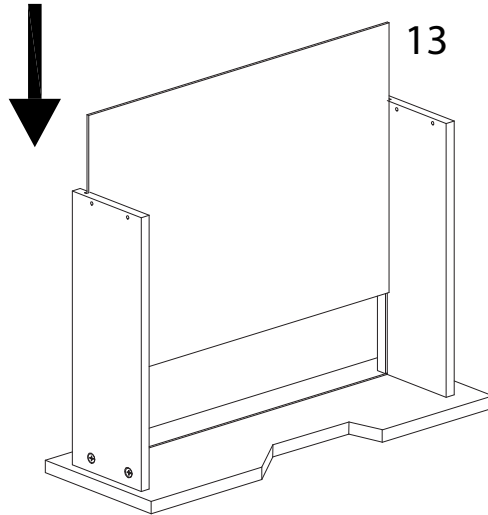


23

13

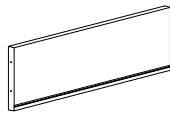


x 1



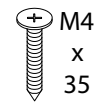
24

14

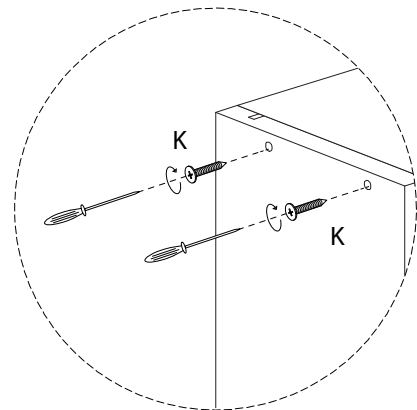
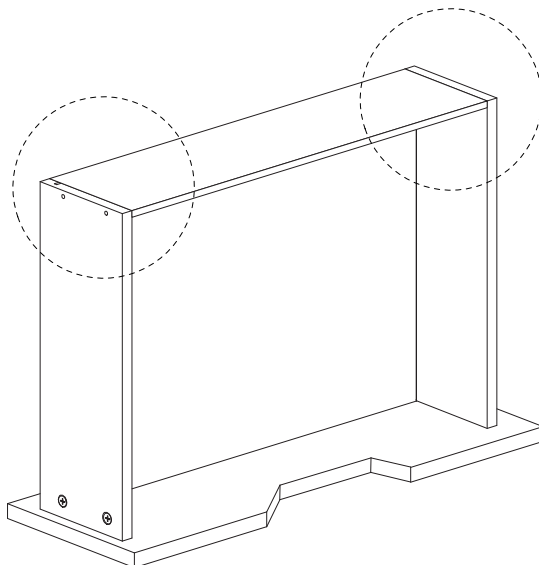


x 1

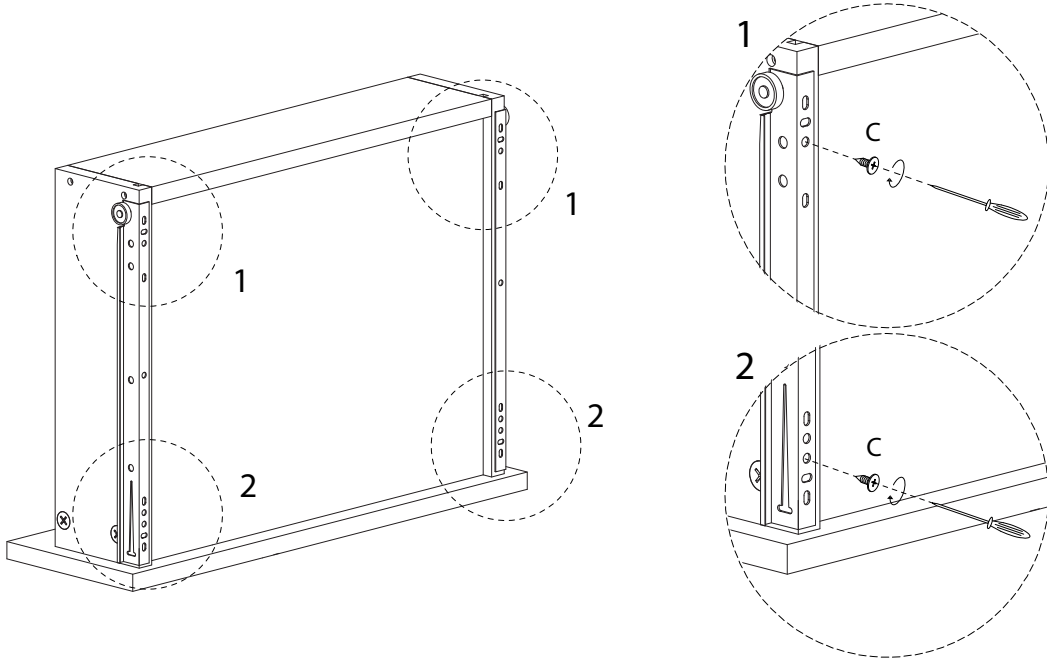
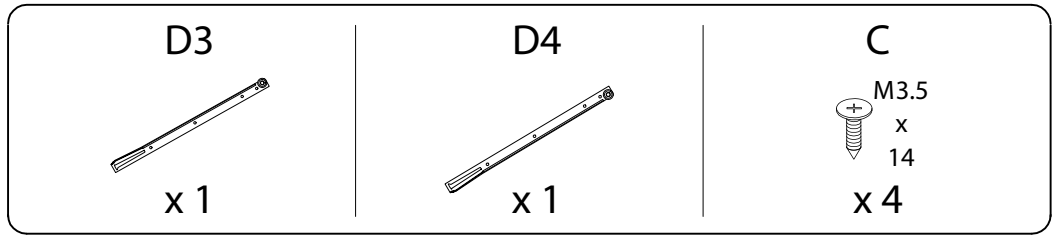
K



x 4



25



26

