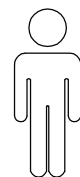
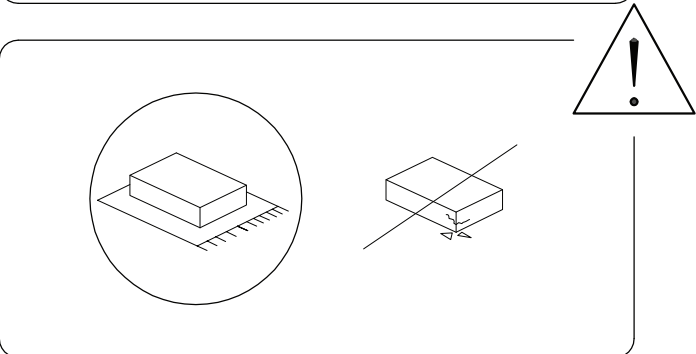
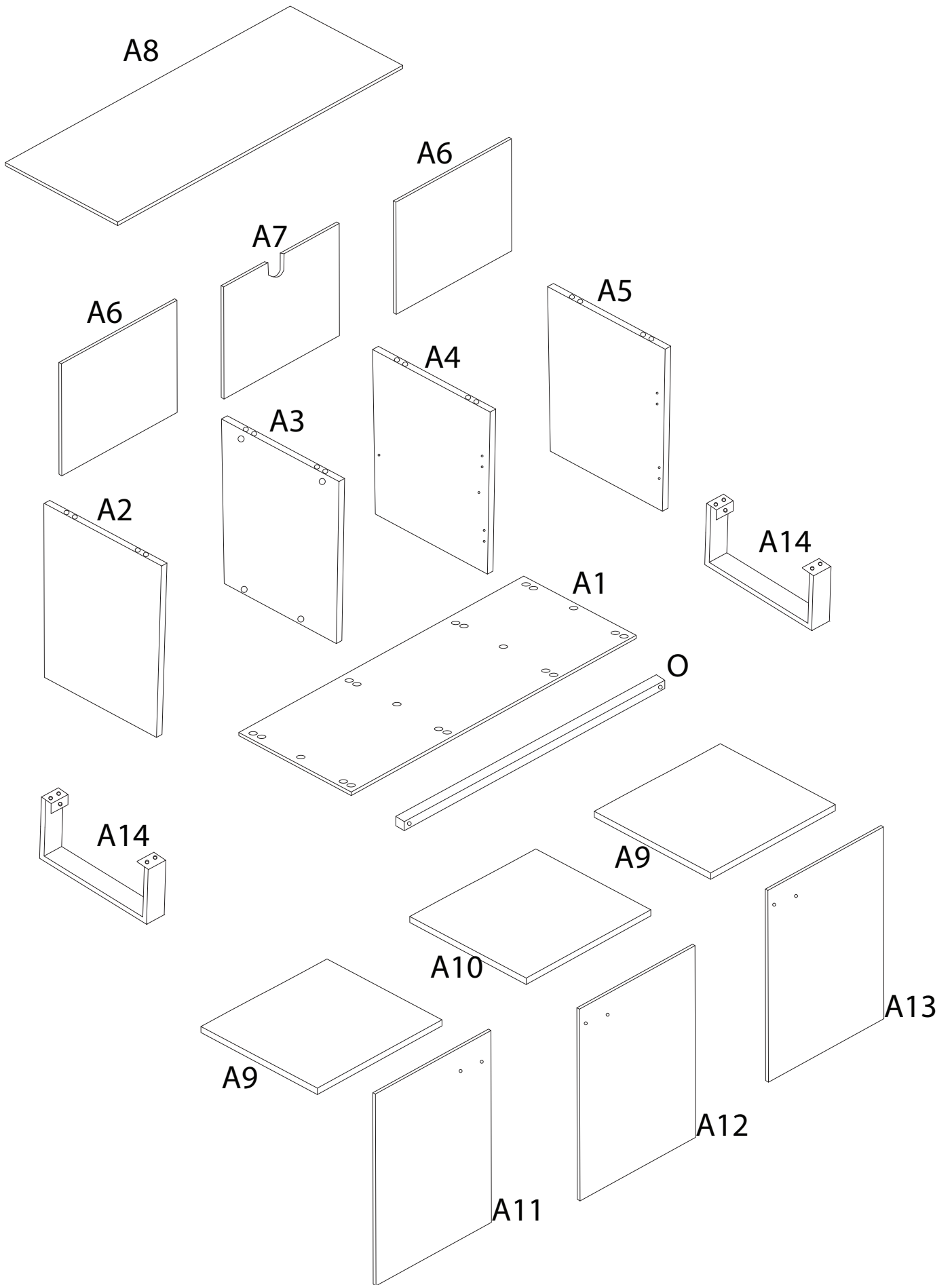
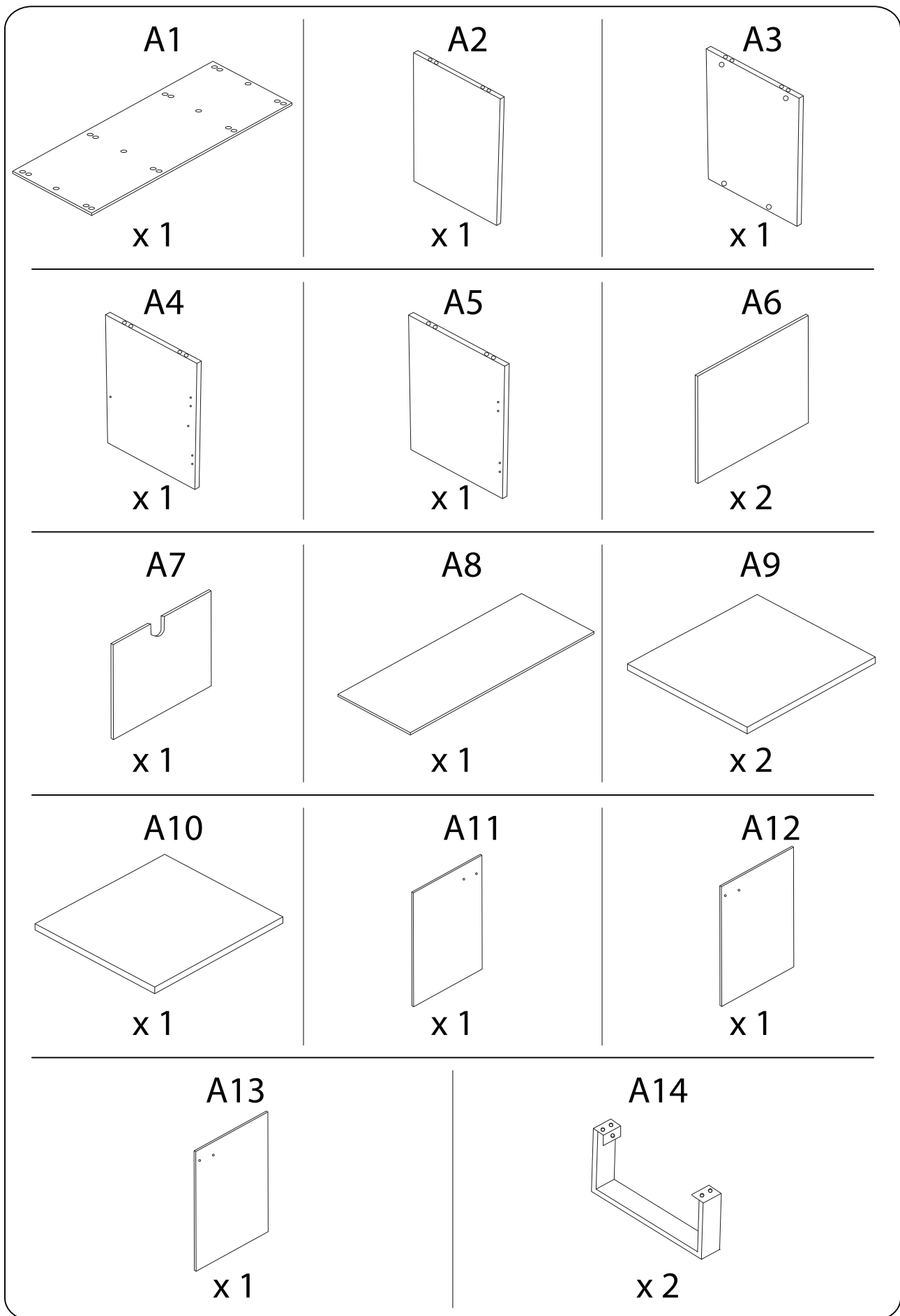


60'

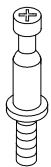


1



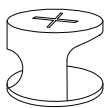


A



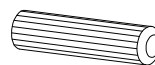
x 8

B



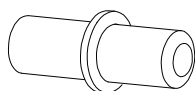
x 8

C



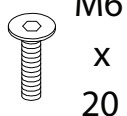
x 16

D



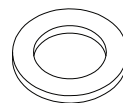
x 12

E



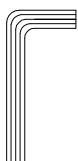
x 11

F



x 11

G



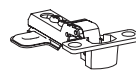
x 1

H



x 4

I



x 2

J



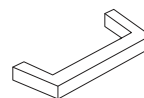
x 6

K



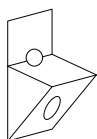
x 48

L



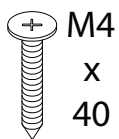
x 3

M



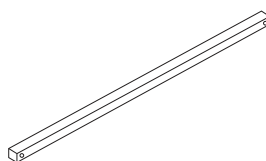
x 12

N



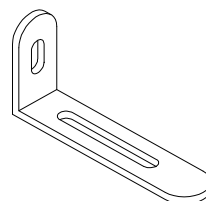
x 12

O



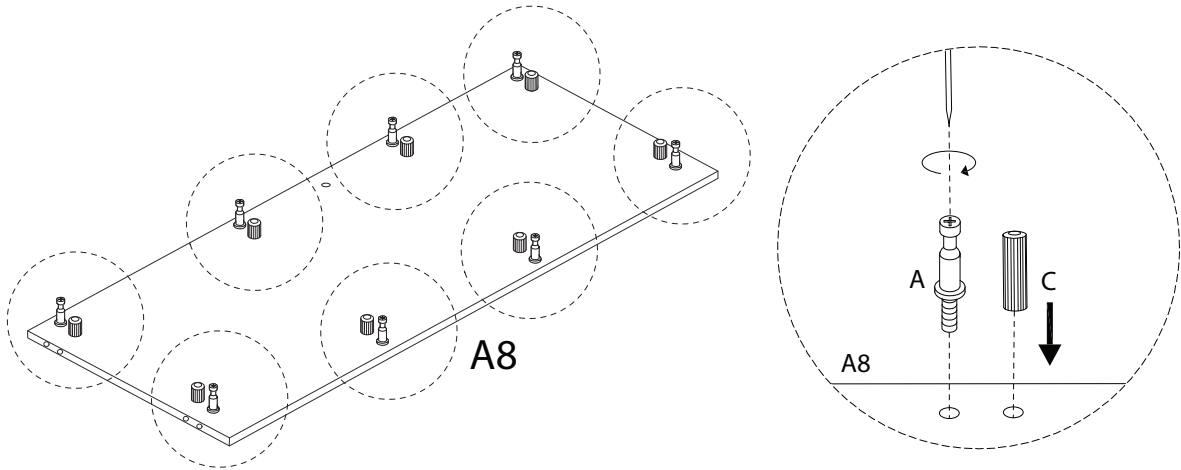
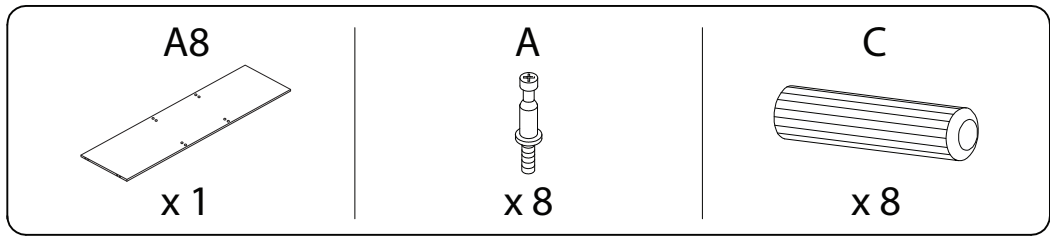
x 1

P

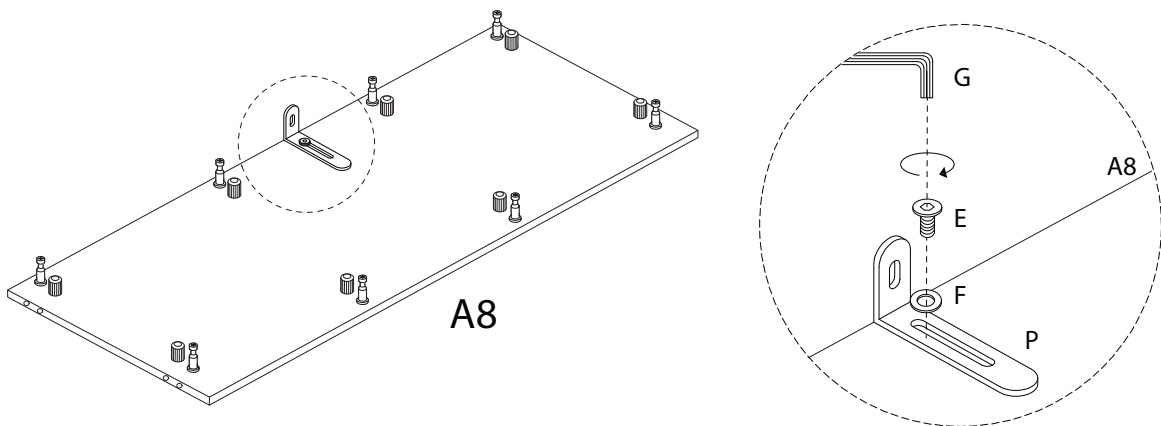
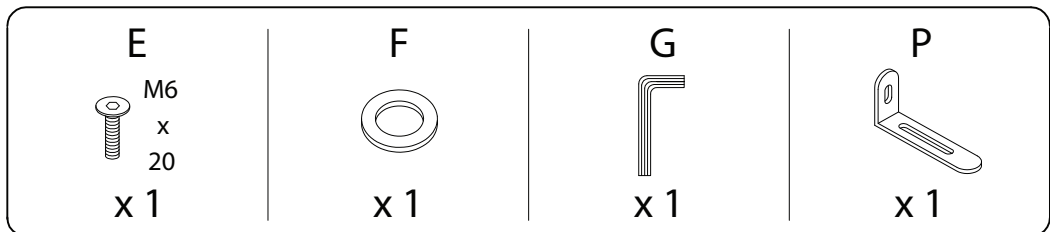


x 1

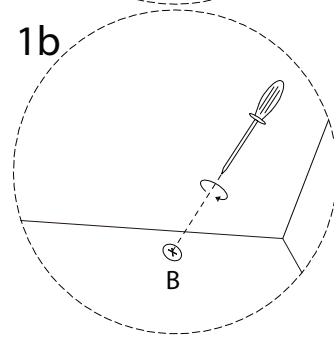
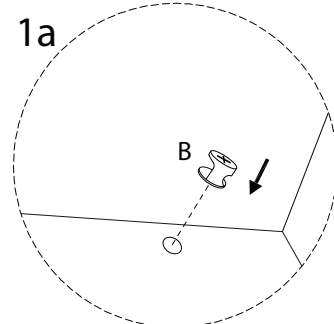
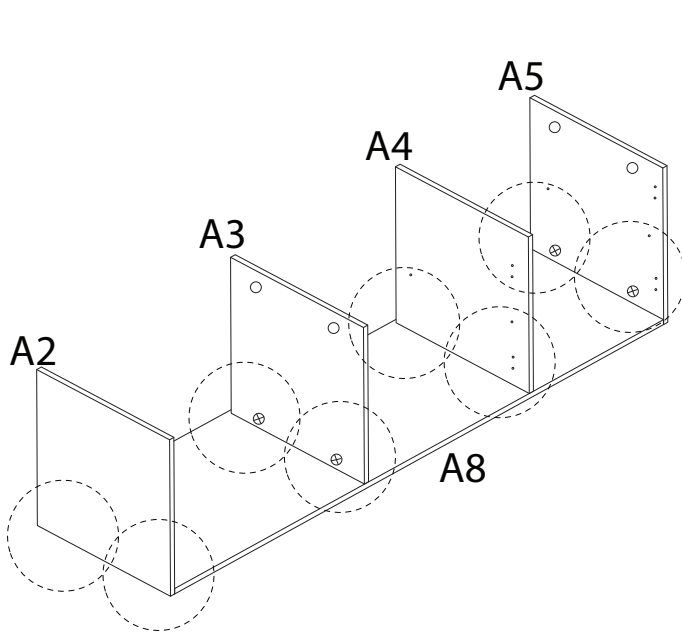
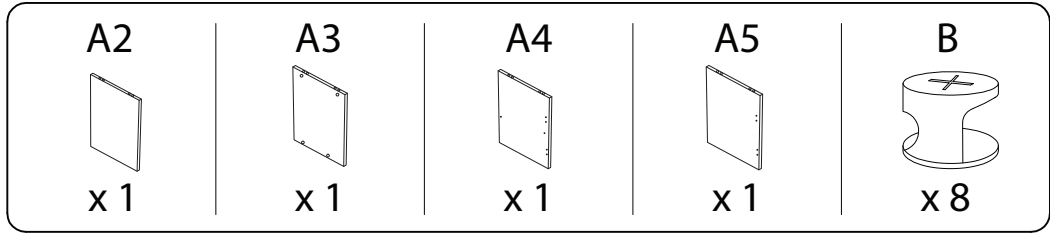
1



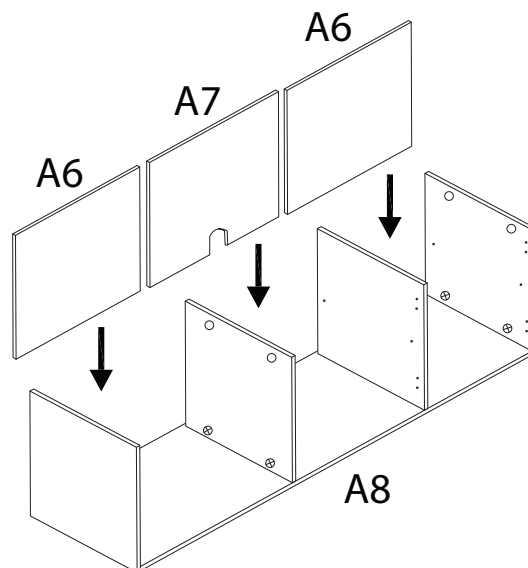
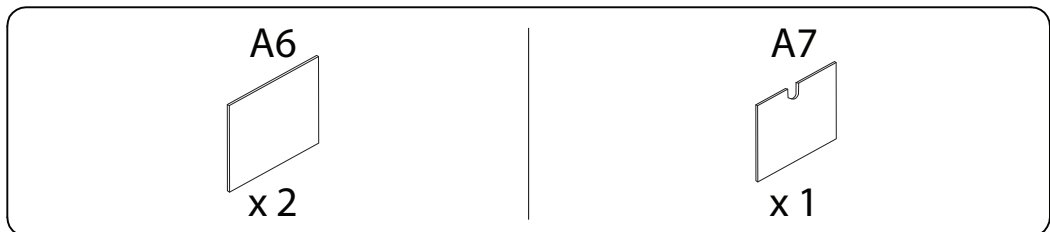
2



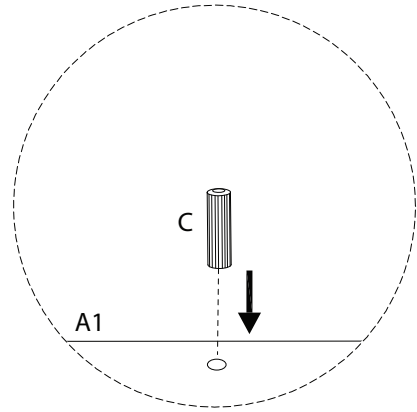
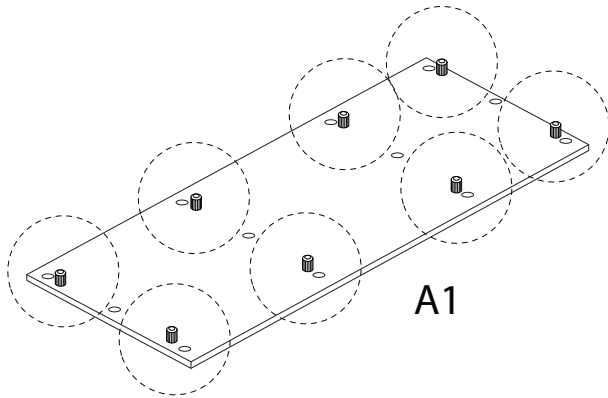
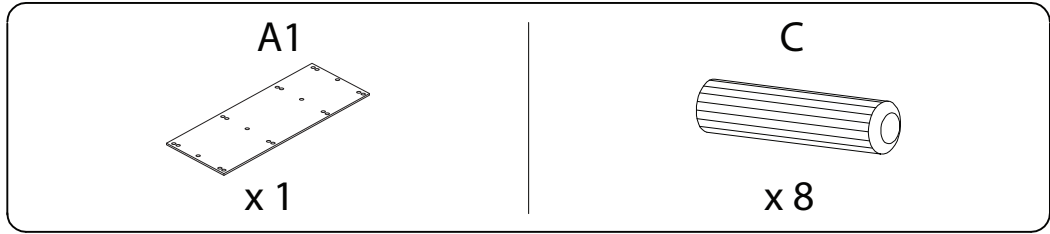
3



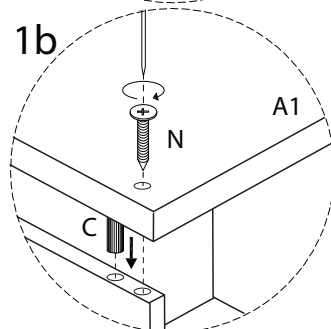
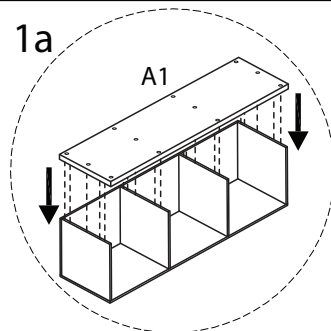
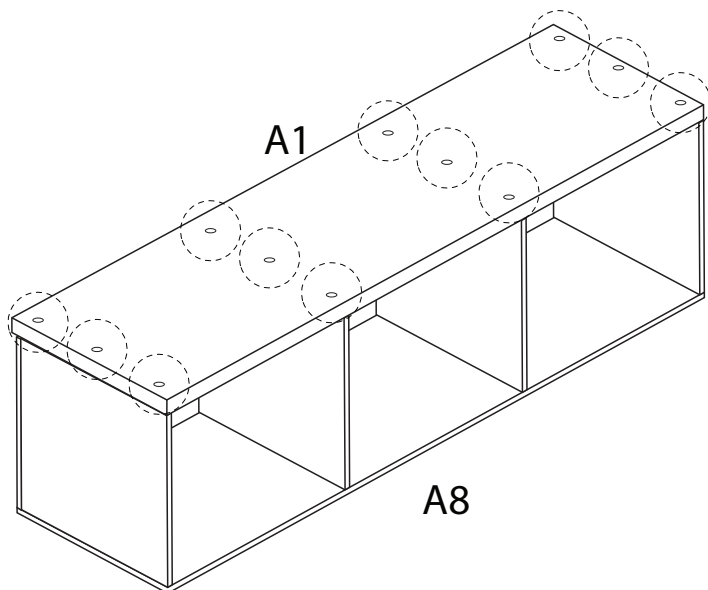
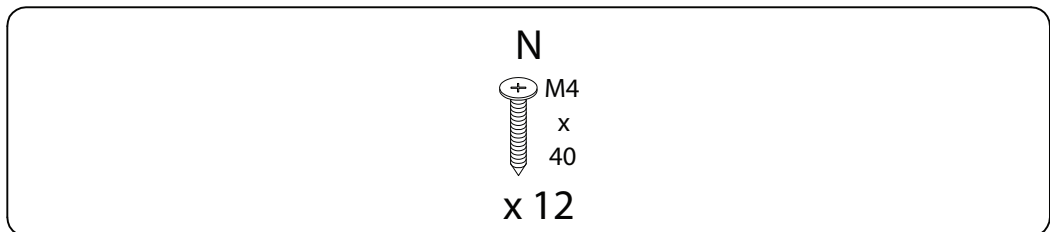
4



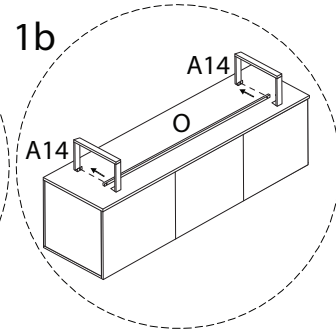
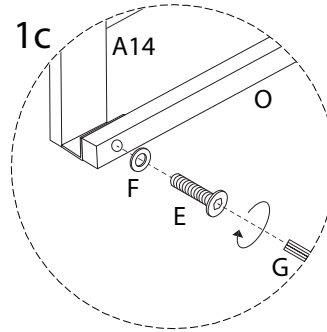
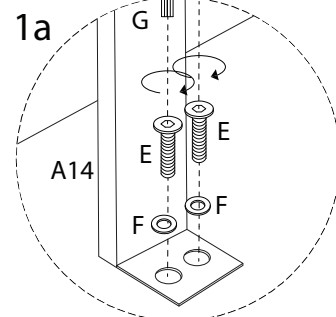
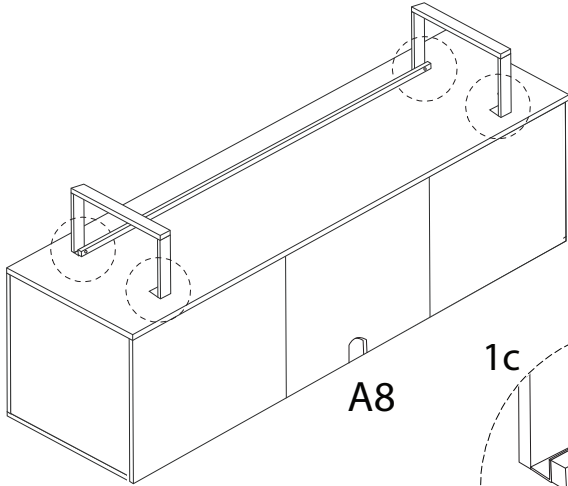
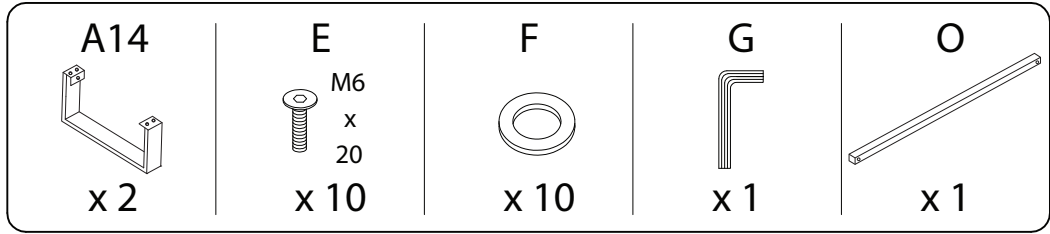
5



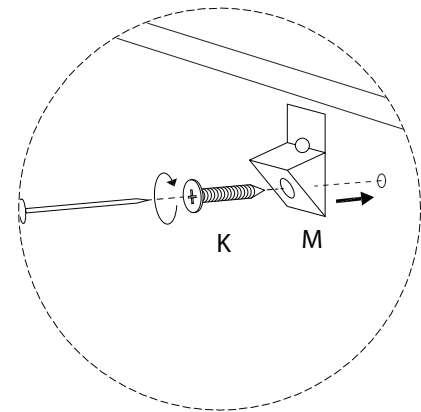
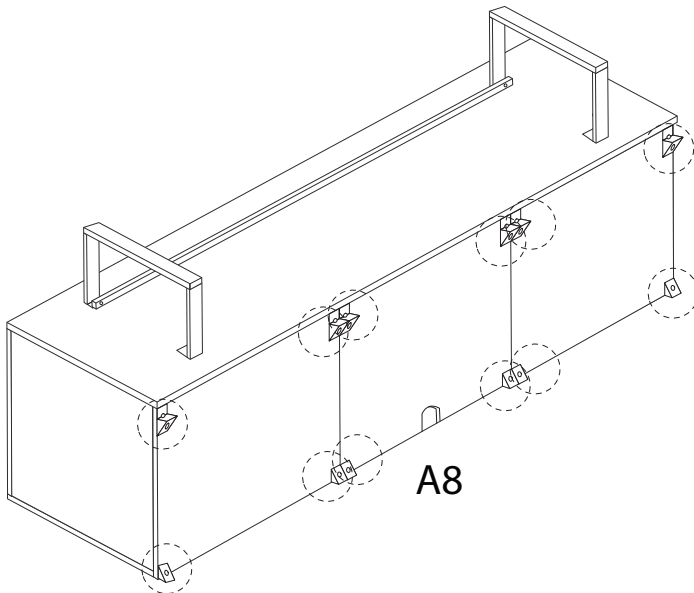
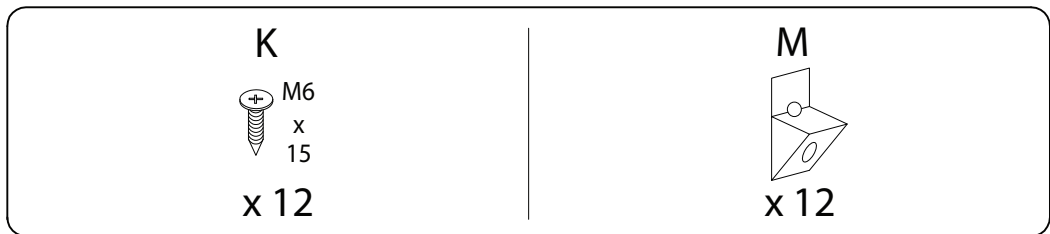
6



7

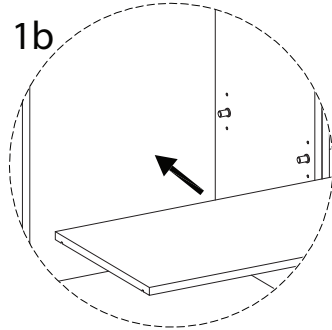
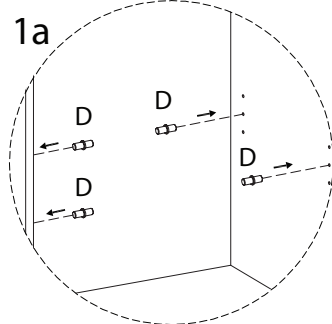
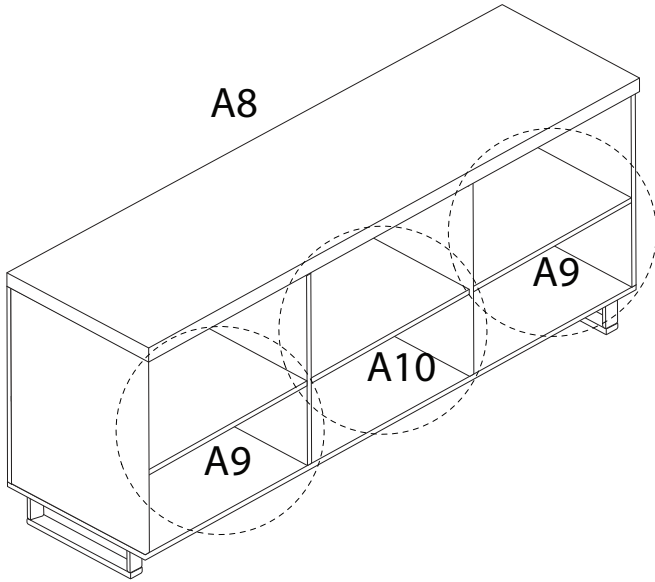
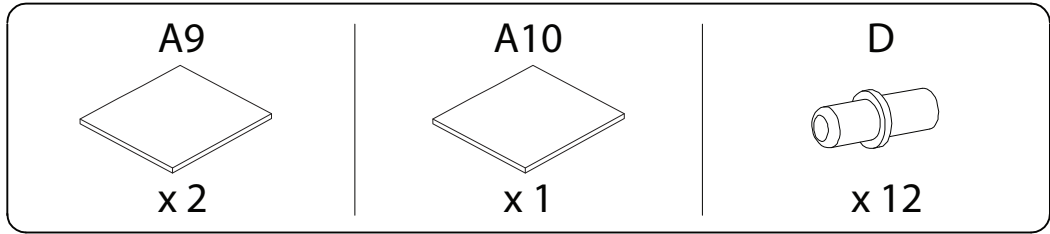


8

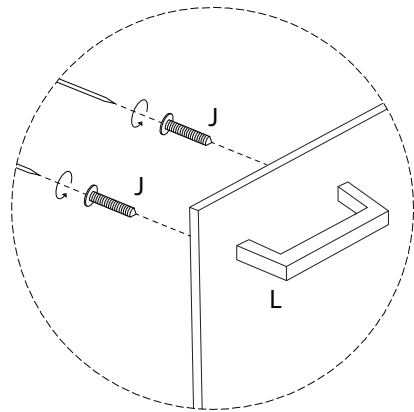
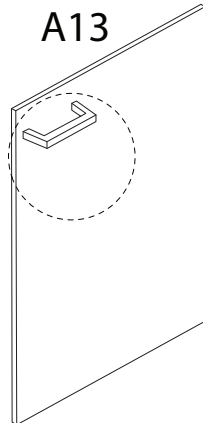
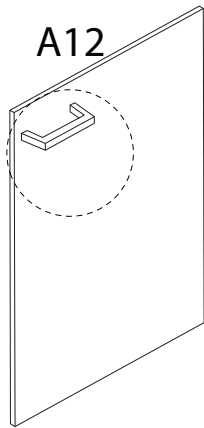
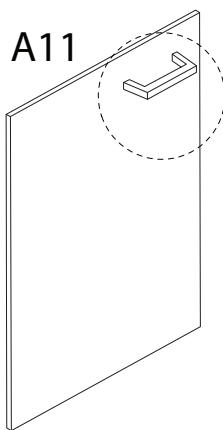
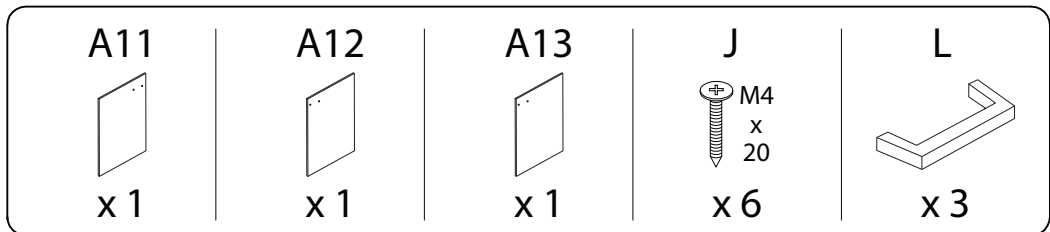




9



10



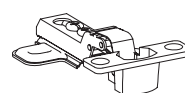
11

K

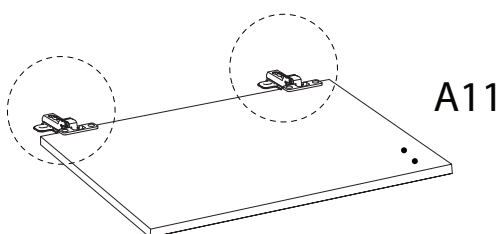


x 8

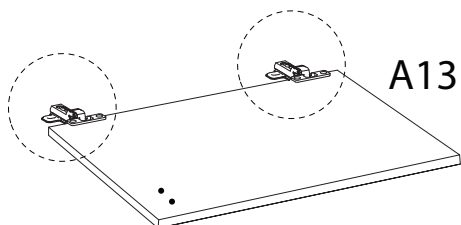
H



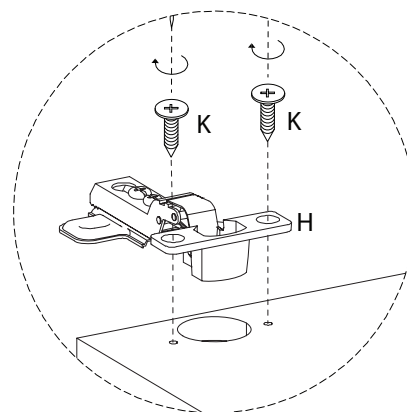
x 4



A11

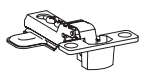


A13



12

I

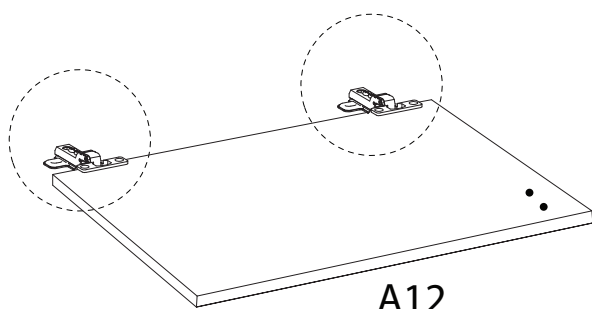


x 2

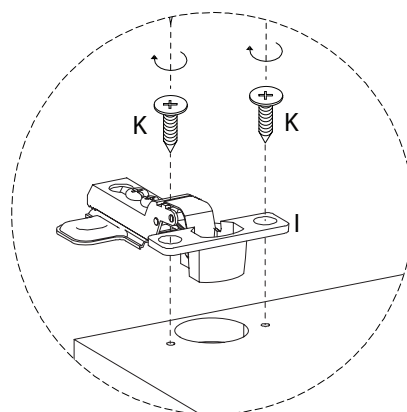
K



x 4

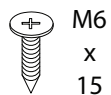


A12

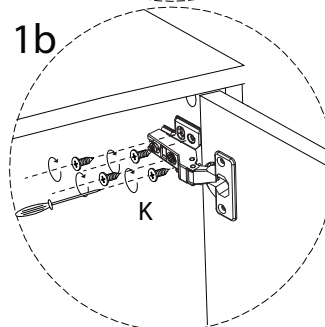
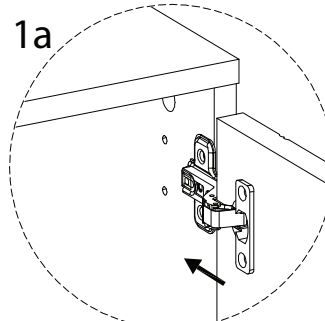
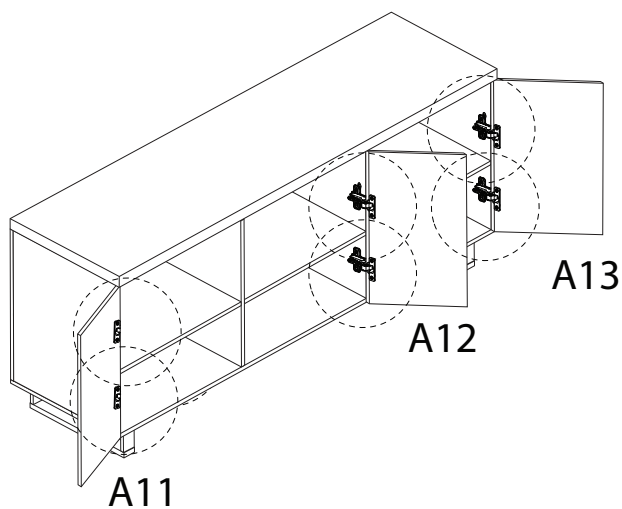


13

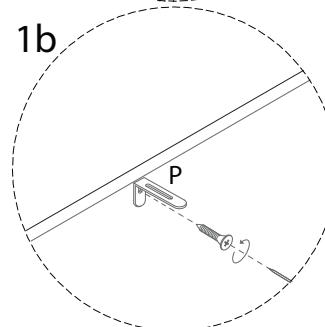
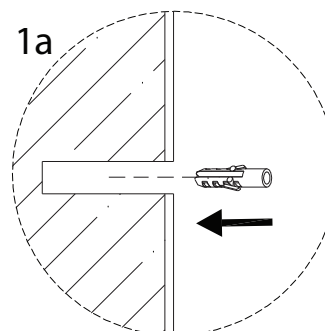
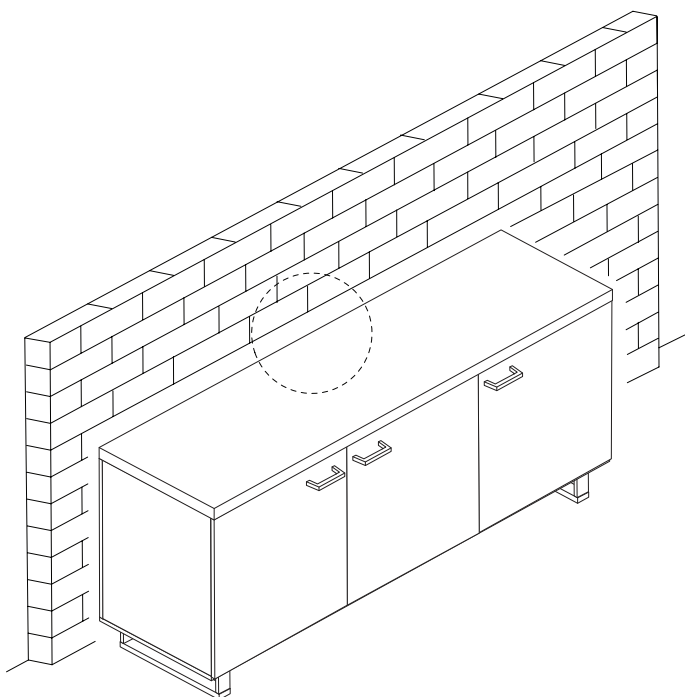
K



x 24



14



!

