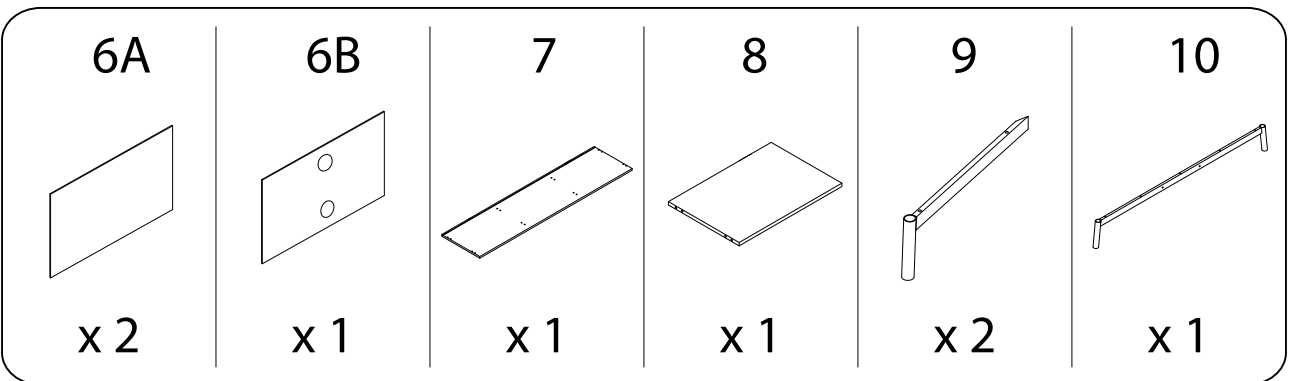
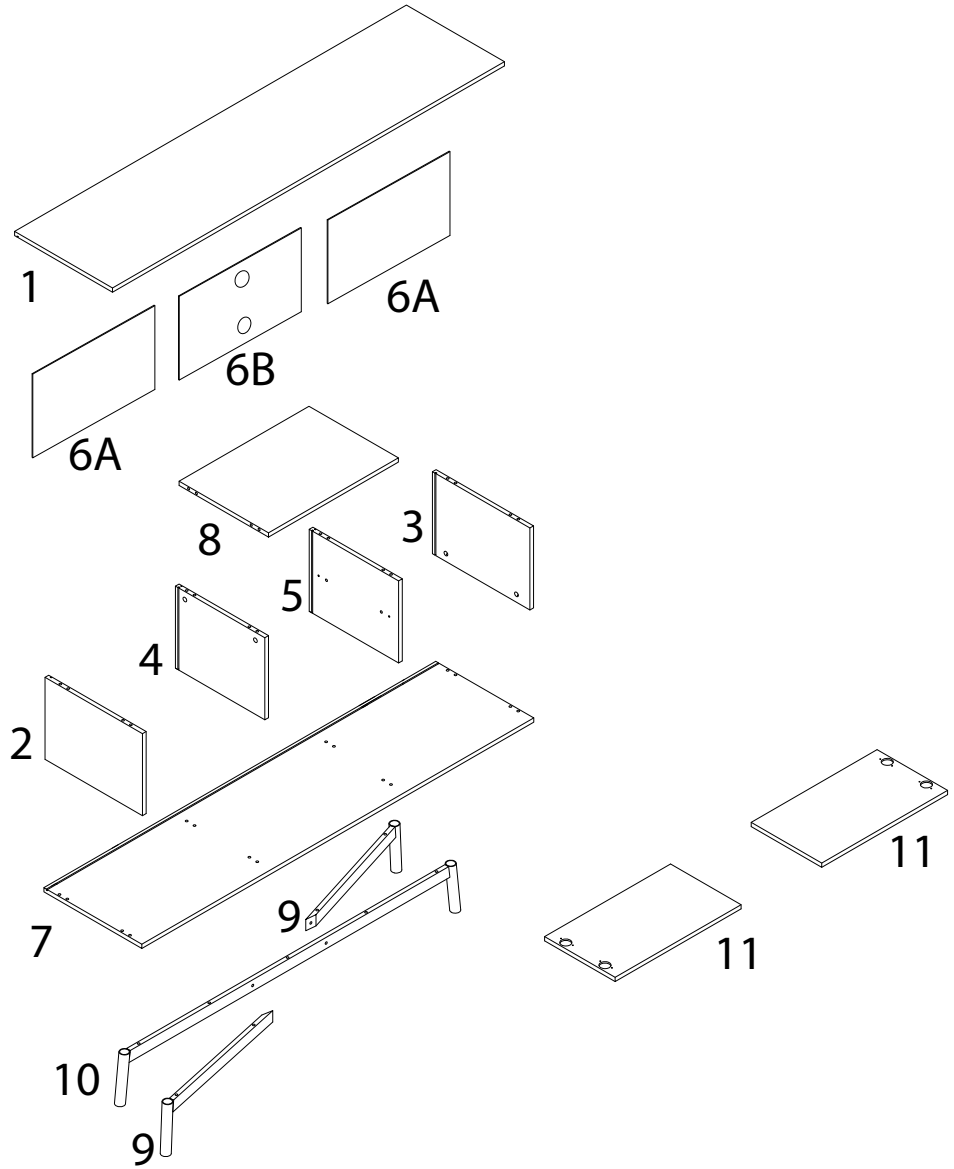
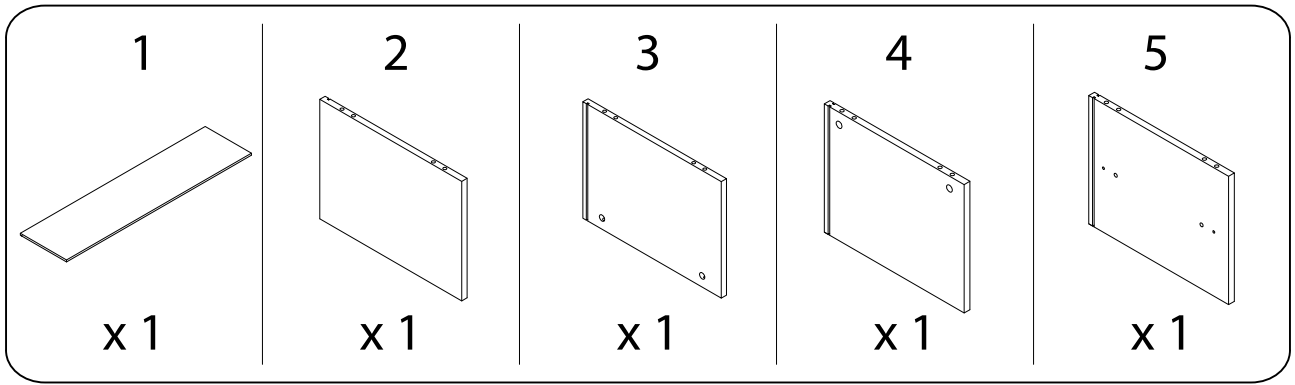
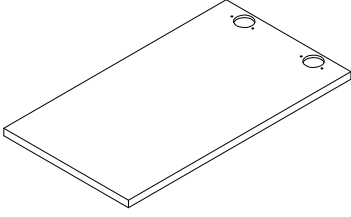

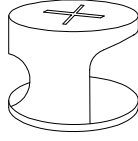
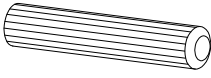
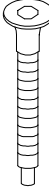
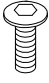
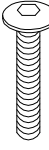
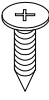
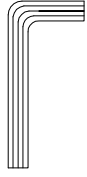
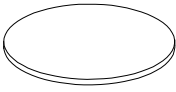
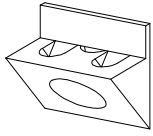
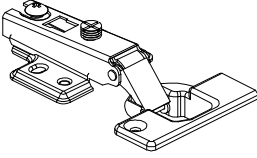


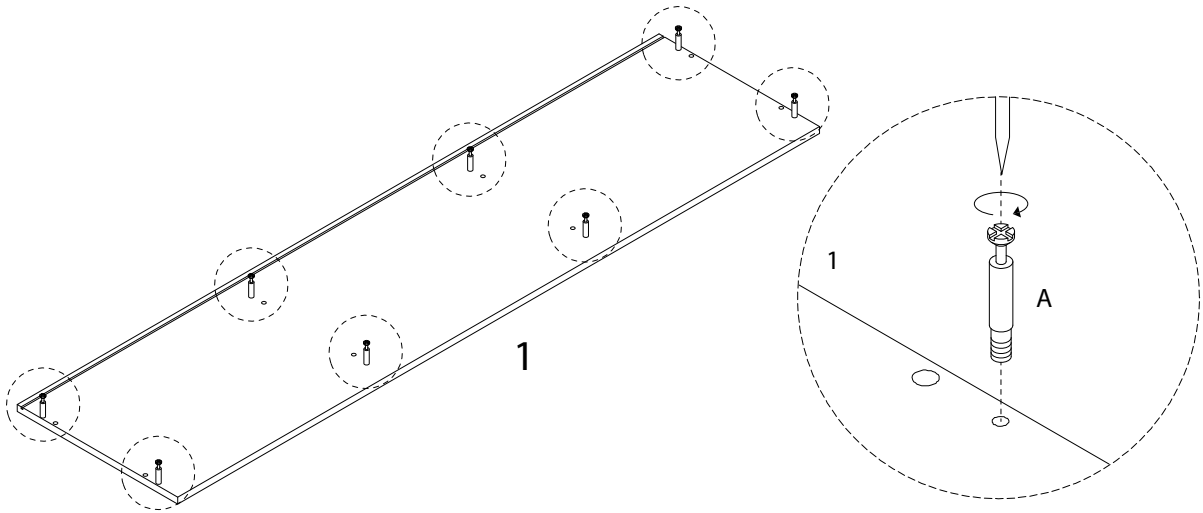
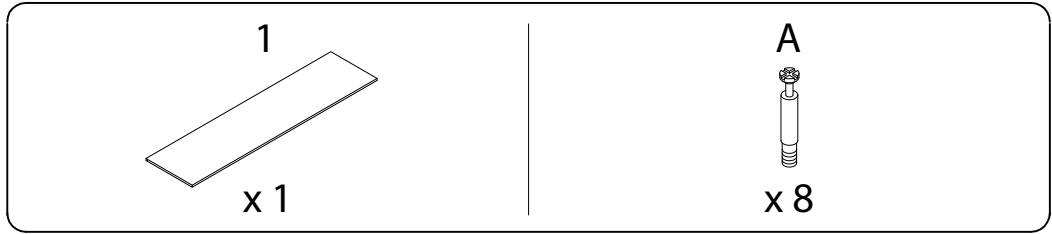
Assembly instructions for step 1/12:

- Tools:** A circle containing an L-shaped hex key and a screwdriver. A power drill is shown with a diagonal line through it, indicating it should not be used.
- Warning:** A triangle with an exclamation mark.
- Time:** A clock icon with the text "30'" below it, indicating a 30-minute assembly time.
- Personnel:** A stick figure icon with the number "2" below it, indicating that two people are required for assembly.
- Diagram:** A circle showing a rectangular block being placed on a textured surface. A second diagram shows the block being tilted, with a diagonal line through it, indicating that the block should be placed flat and not tilted.

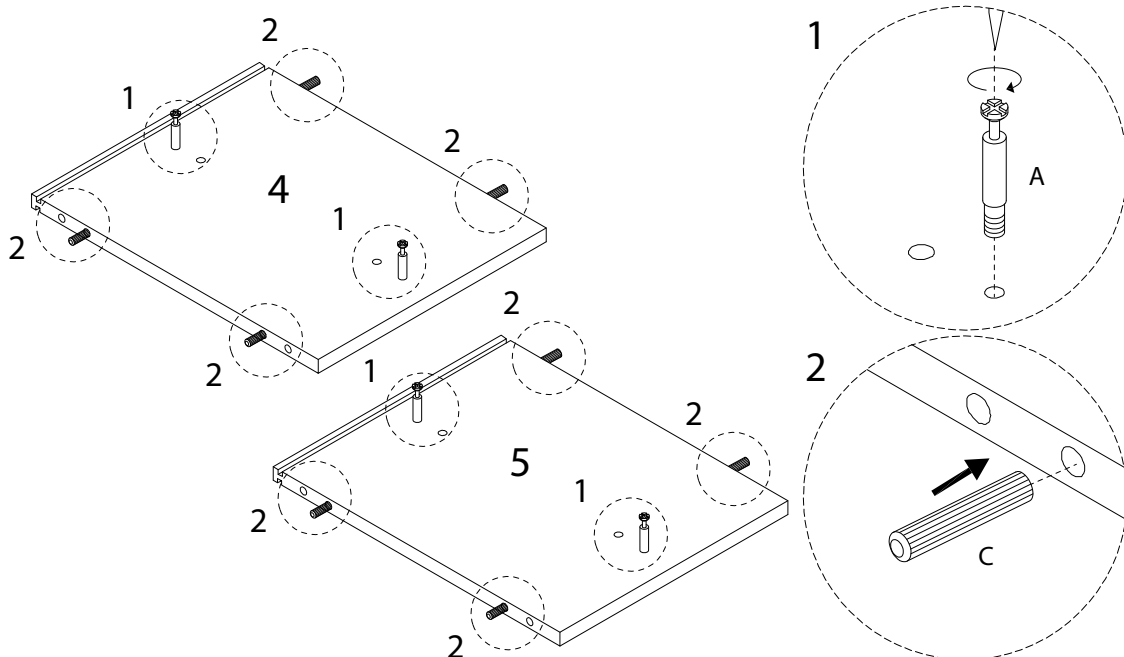
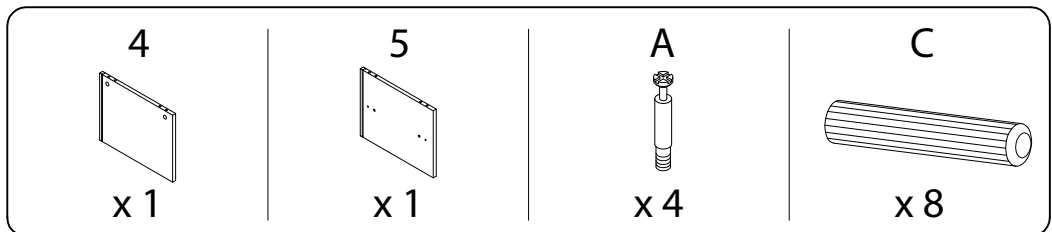


| | | |
|--|---|--|
| <p>11</p>  <p>x 2</p> | <p>A</p>  <p>x 12</p> | <p>B</p>  <p>x 12</p> |
| <p>C</p>  <p>x 20</p> | <p>D</p>  <p>M7 x 50</p> <p>x 8</p> | <p>E</p>  <p>M6 x 25</p> <p>x 2</p> |
| <p>F</p>  <p>M6 x 50</p> <p>x 9</p> | <p>G</p>  <p>M3.5 x 14</p> <p>x 36</p> | <p>H</p>  <p>x 1</p> |
| <p>I</p>  <p>x 8</p> | <p>J</p>  <p>x 12</p> | <p>K</p>  <p>x 4</p> |

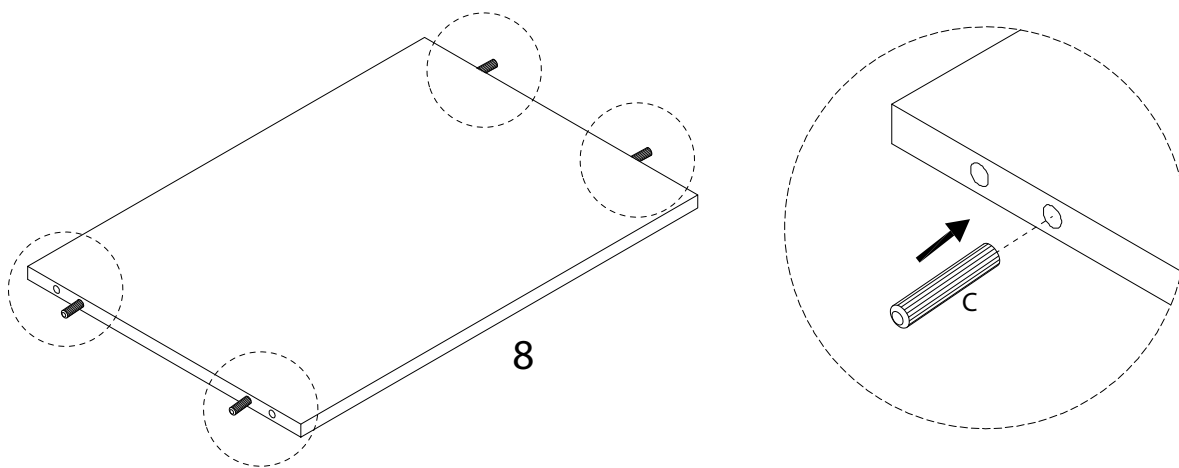
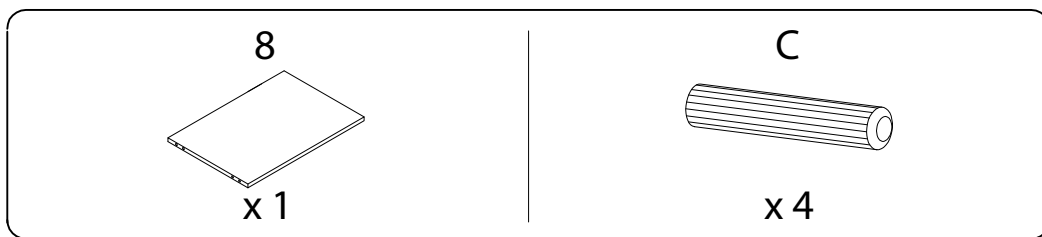
1



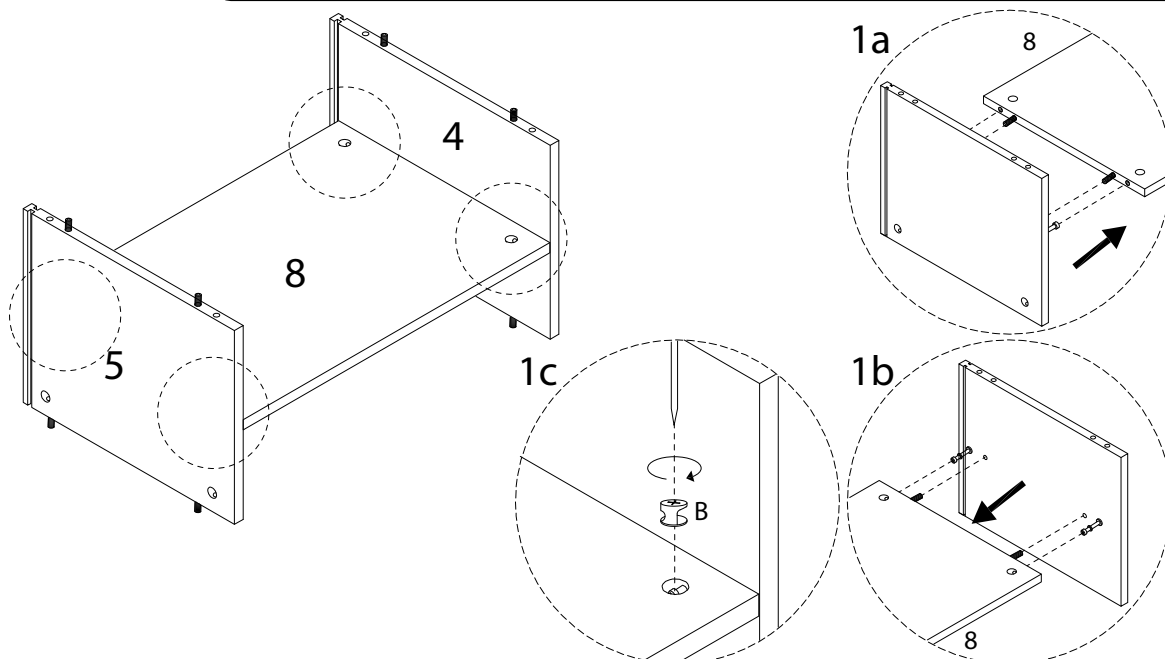
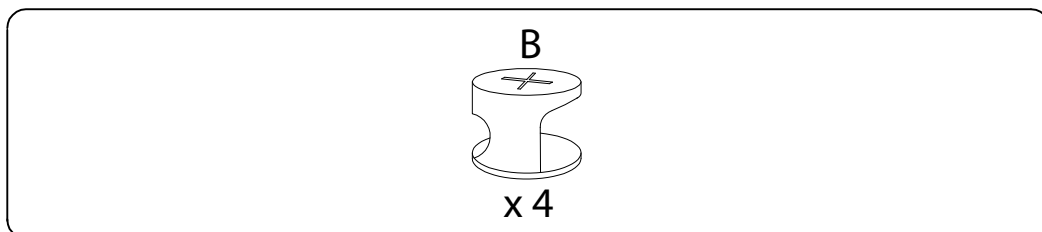
2



3

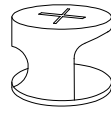


4

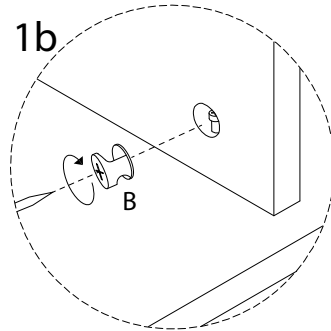
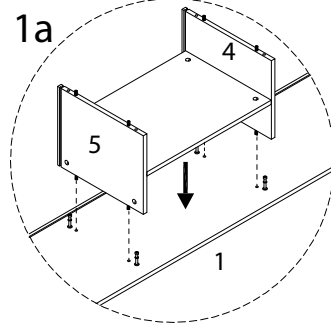
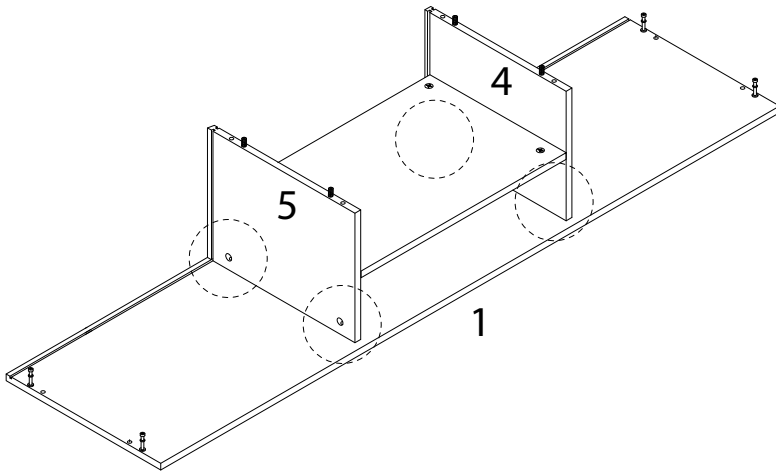


5

B

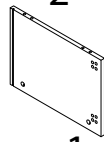


x 4



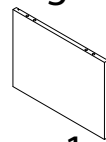
6

2



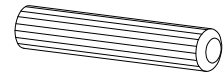
x 1

3

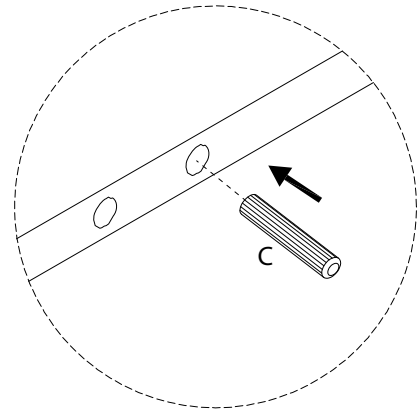
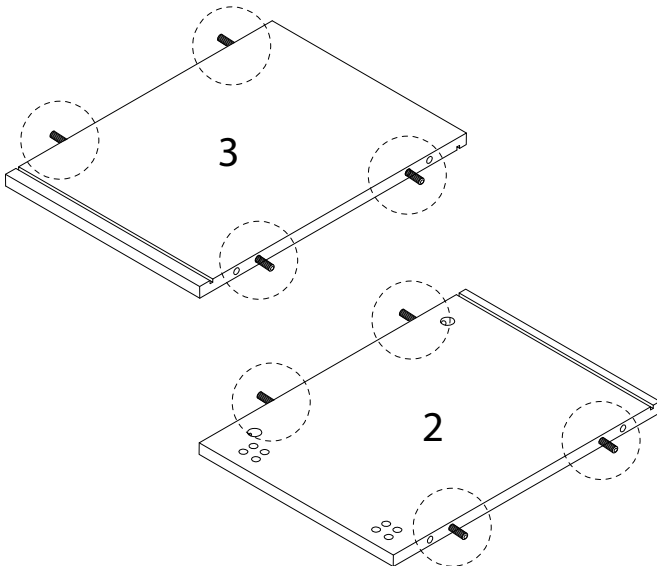


x 1

C

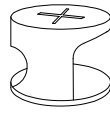


x 8

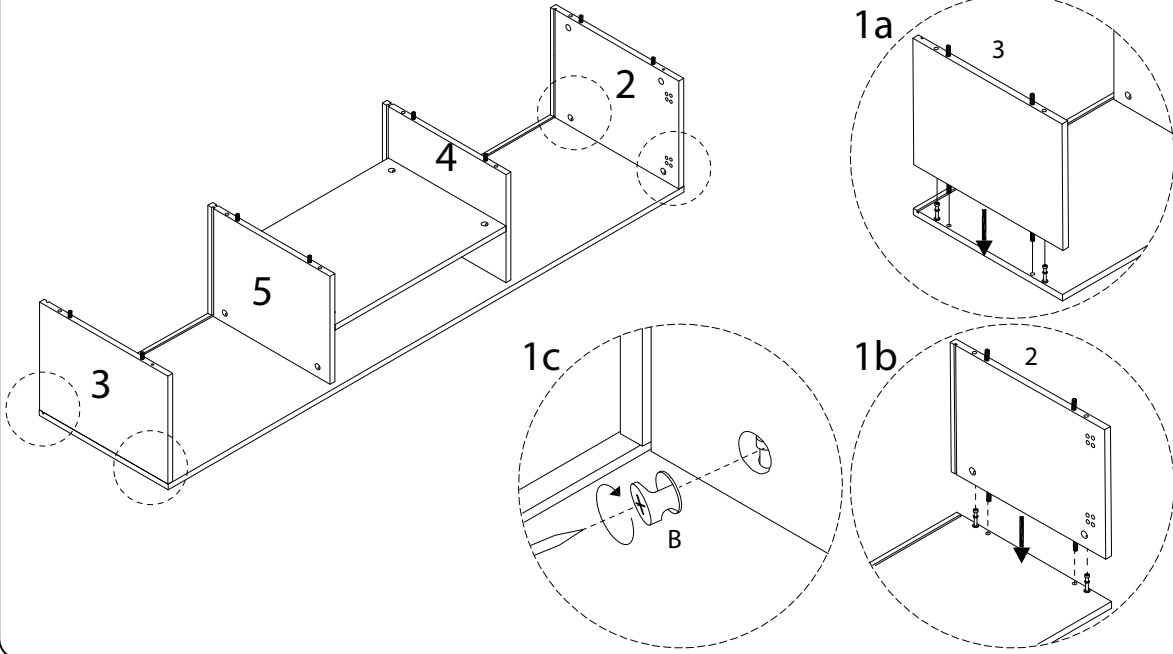


7

B



x 4

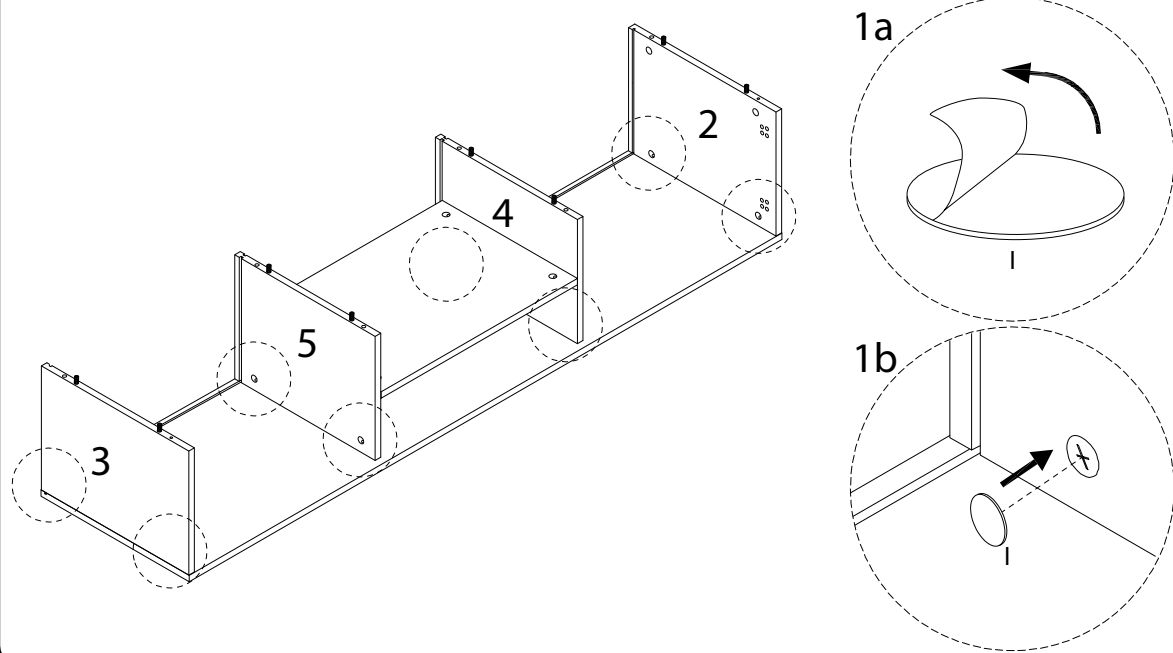


8

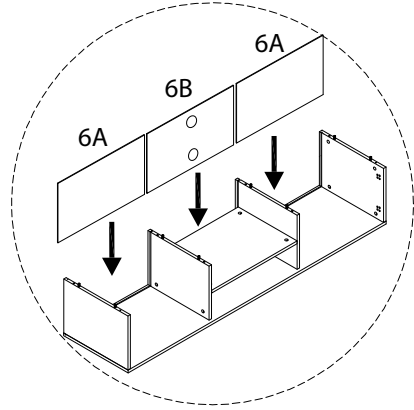
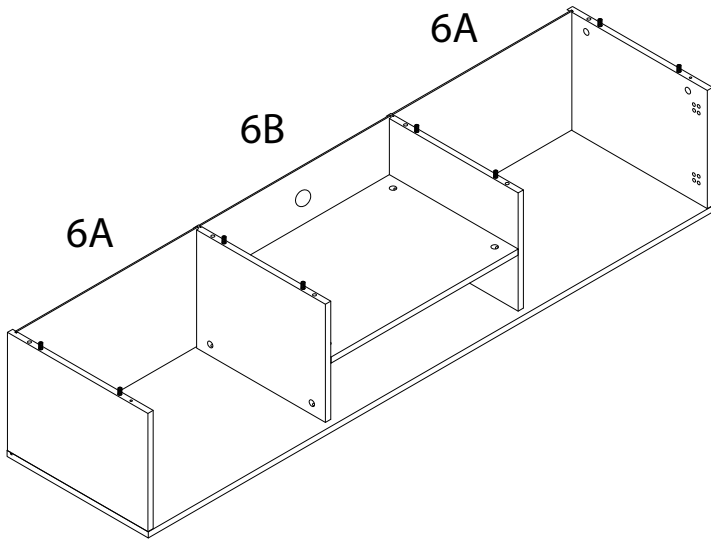
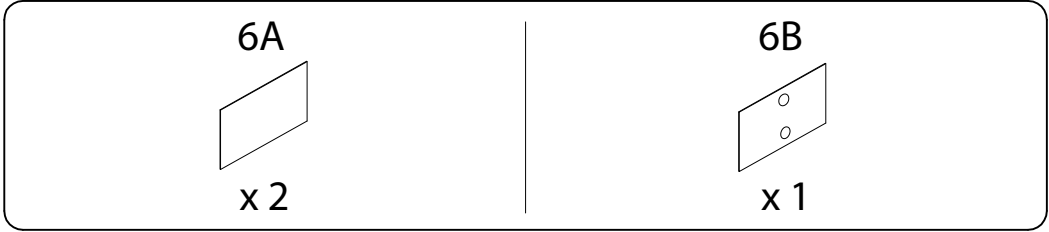
I



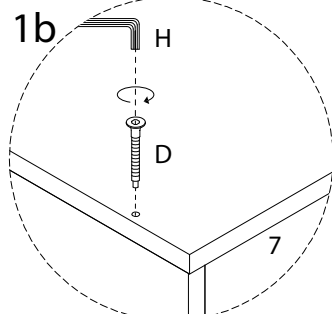
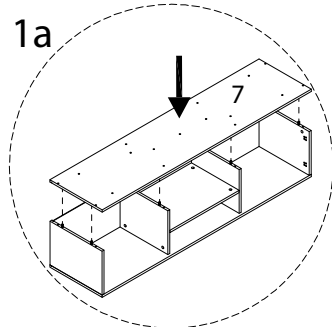
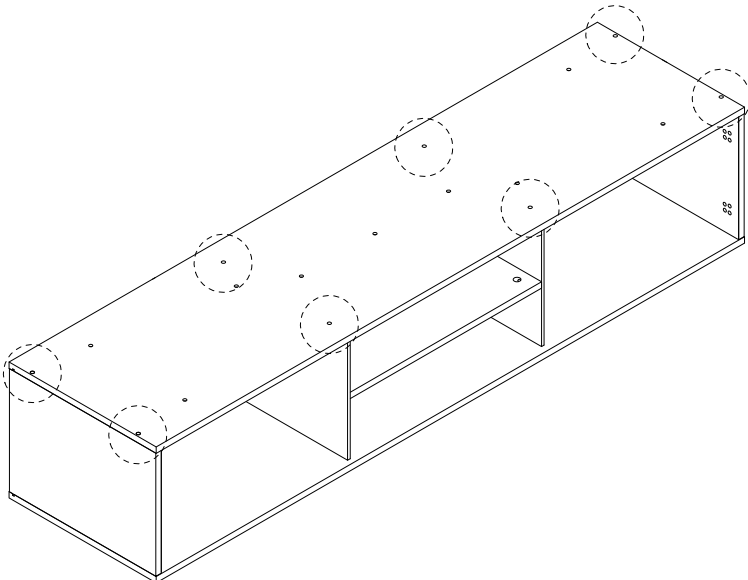
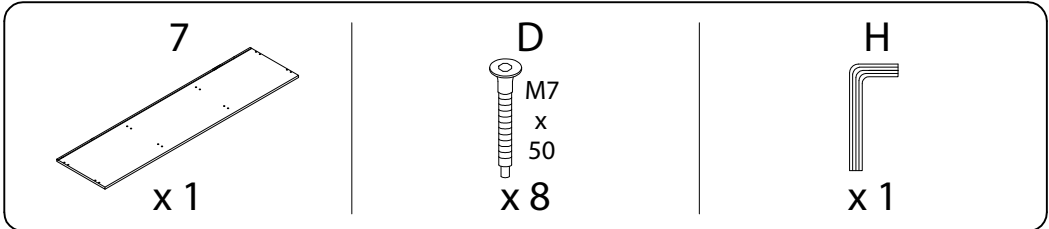
x 8



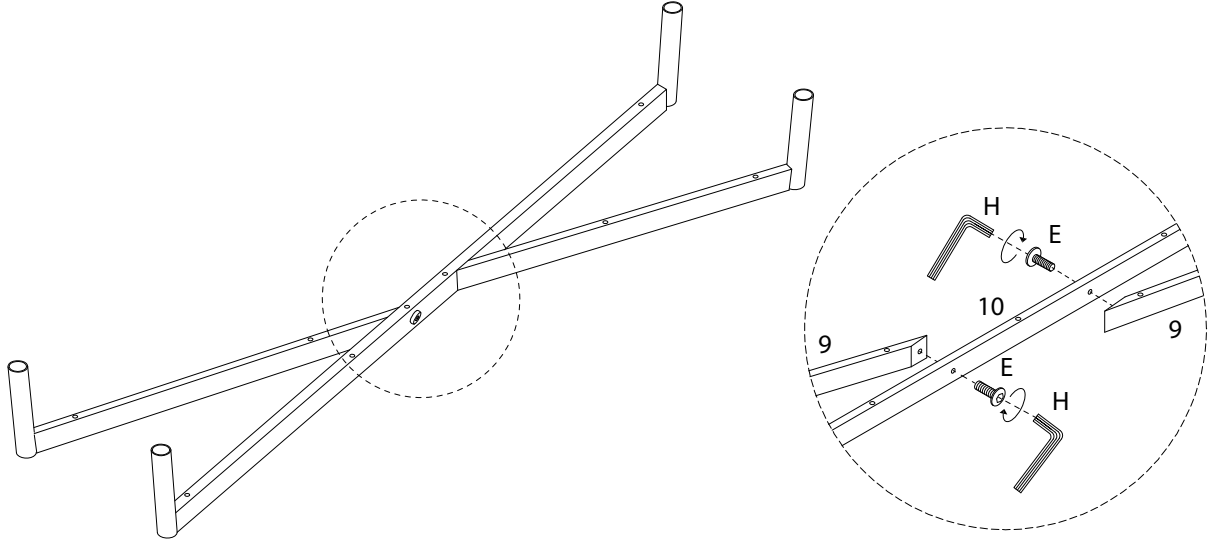
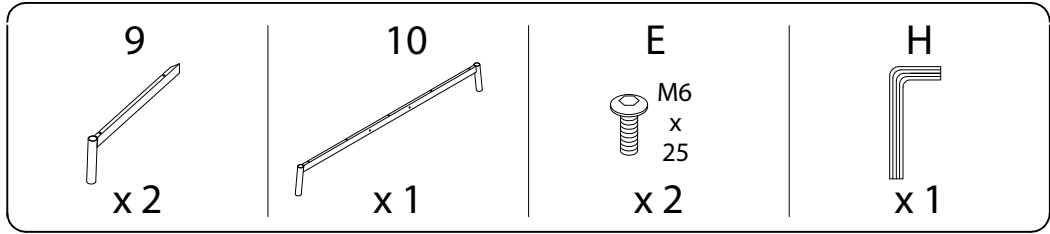
9



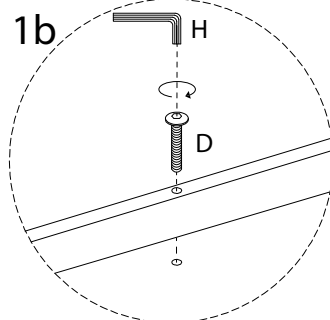
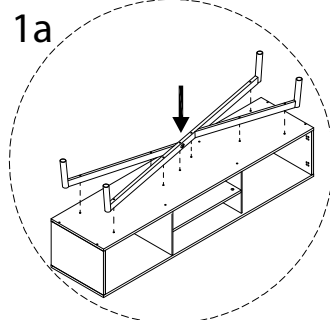
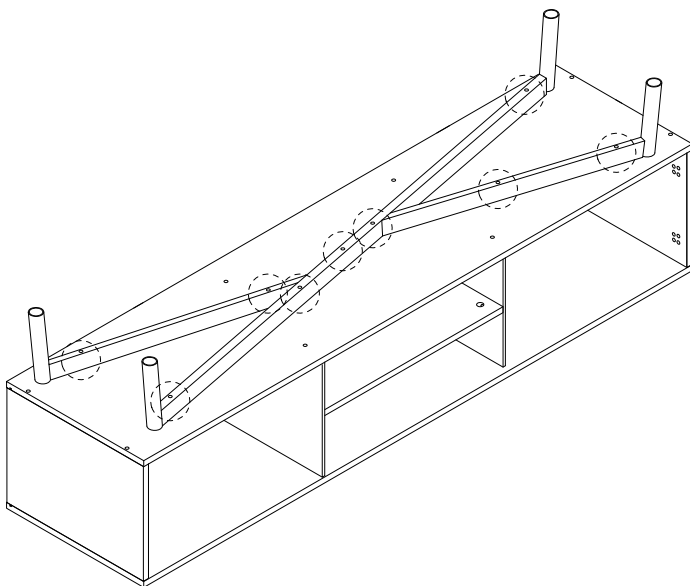
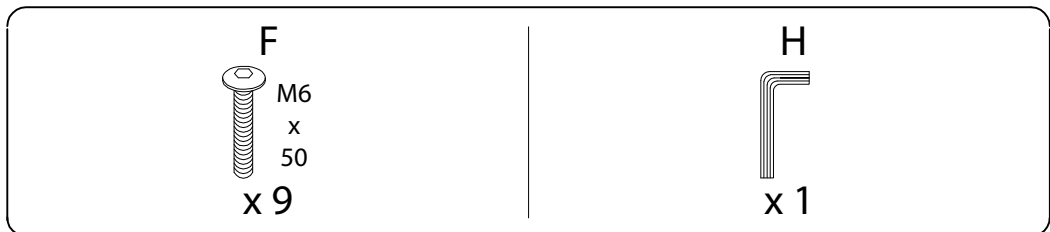
10



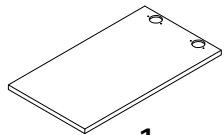
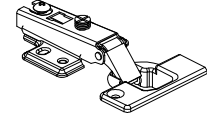

11

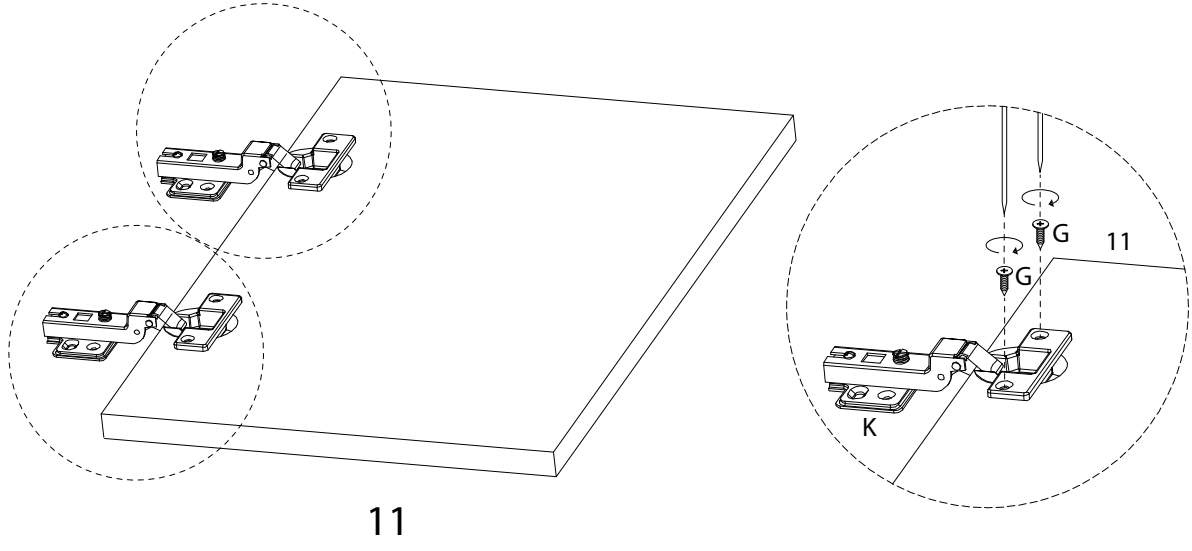


12

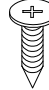


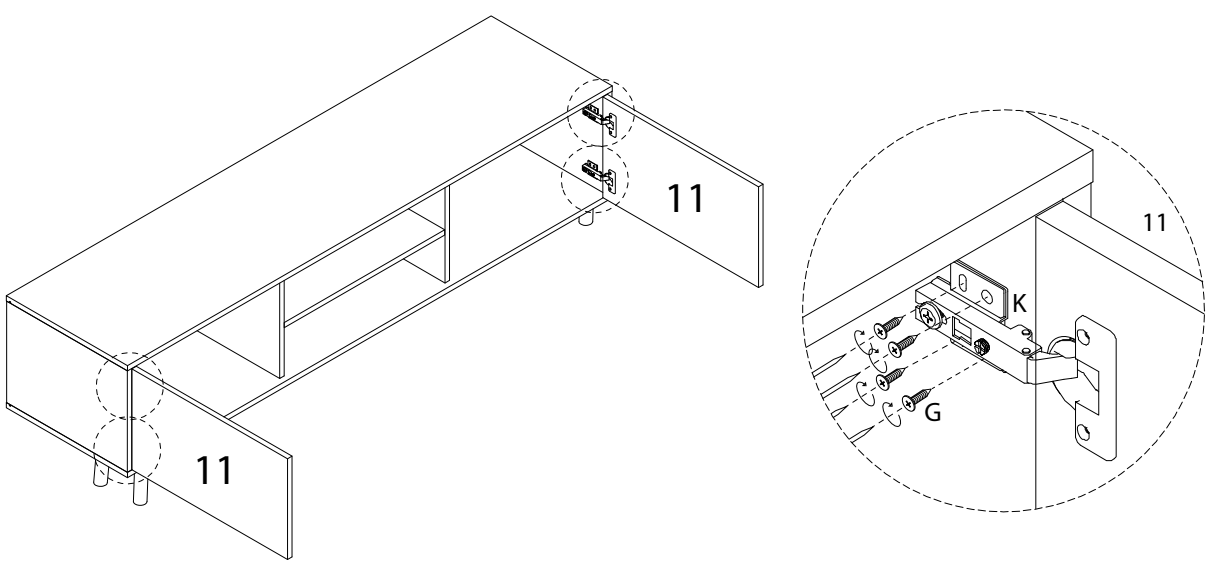
13 x 2

| | | |
|--|--|--|
| <p>11</p>  <p>x 1</p> | <p>K</p>  <p>x 2</p> | <p>G</p>  <p>M3.5 x 14</p> <p>x 4</p> |
|--|--|--|

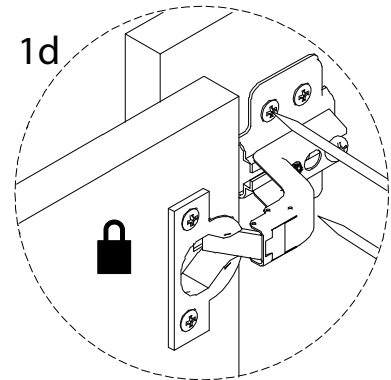
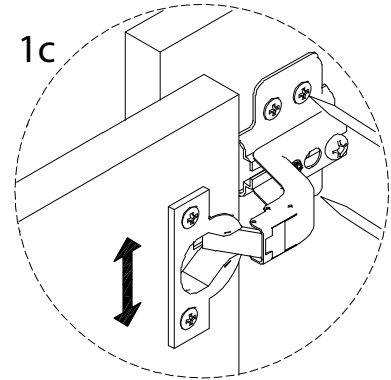
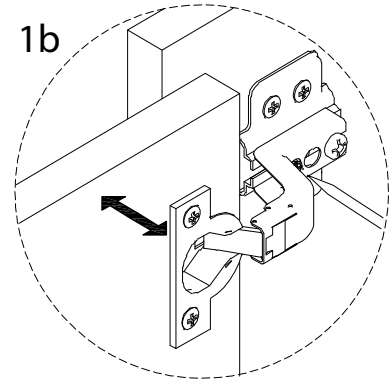
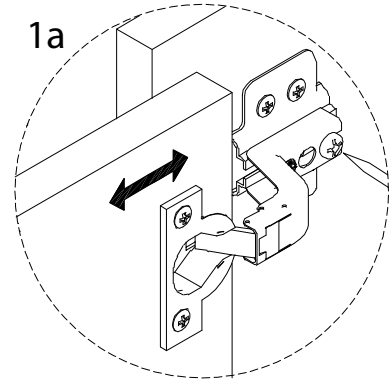
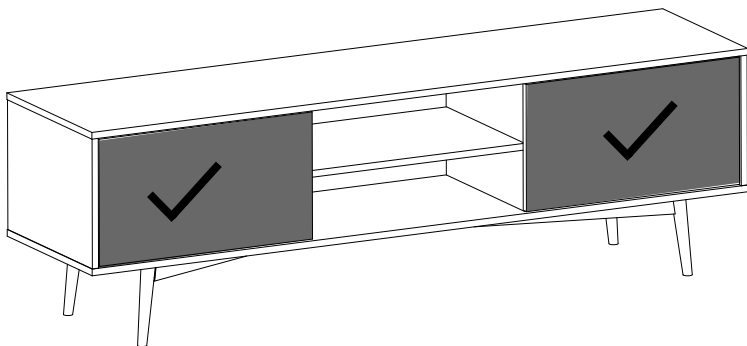
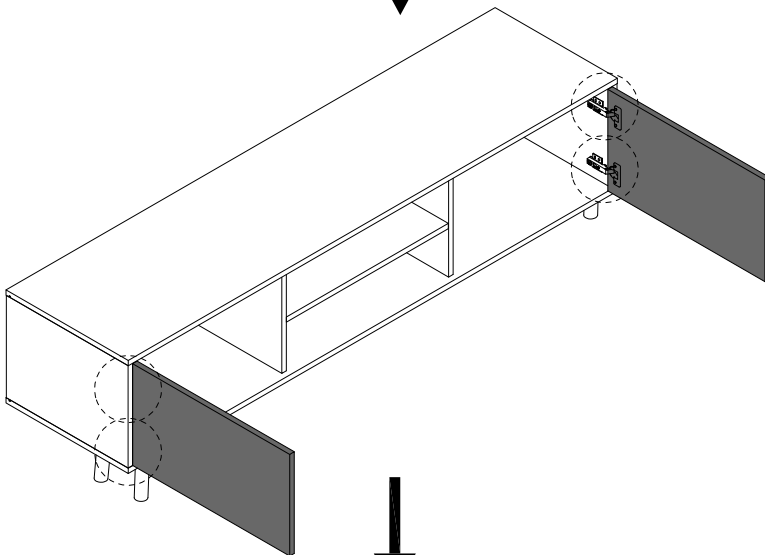
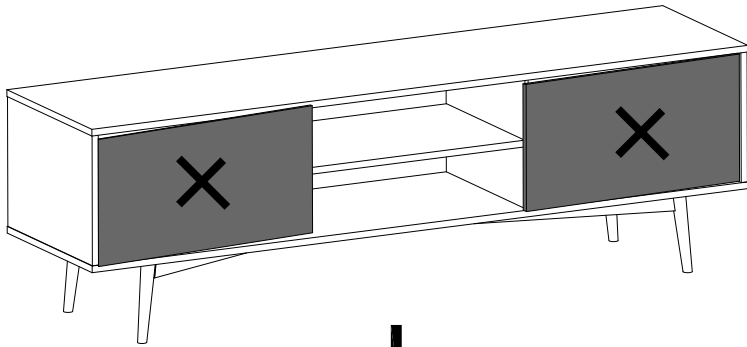


14

| |
|---|
| <p>G</p>  <p>M3.5 x 14</p> <p>x 16</p> |
|---|

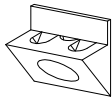


!



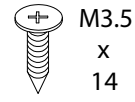
15

J



x 12

G



x 12

