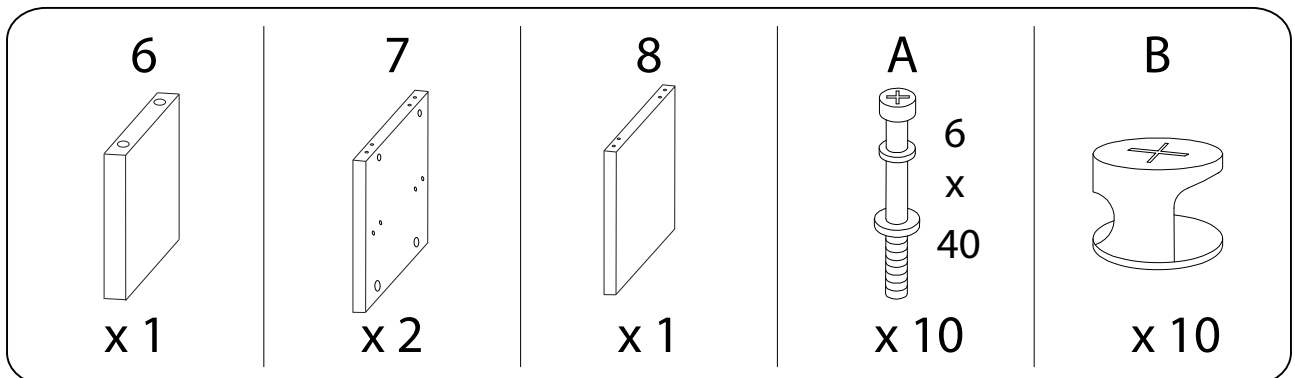
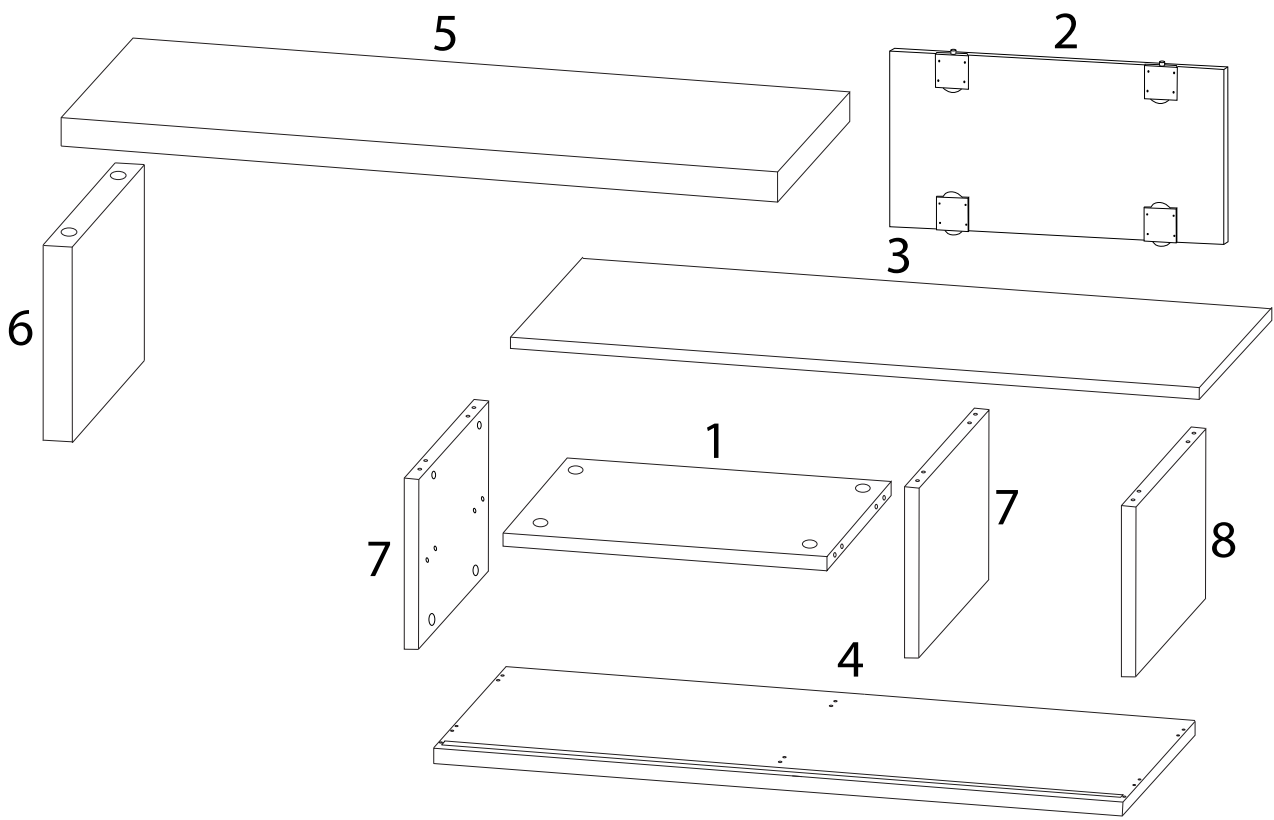
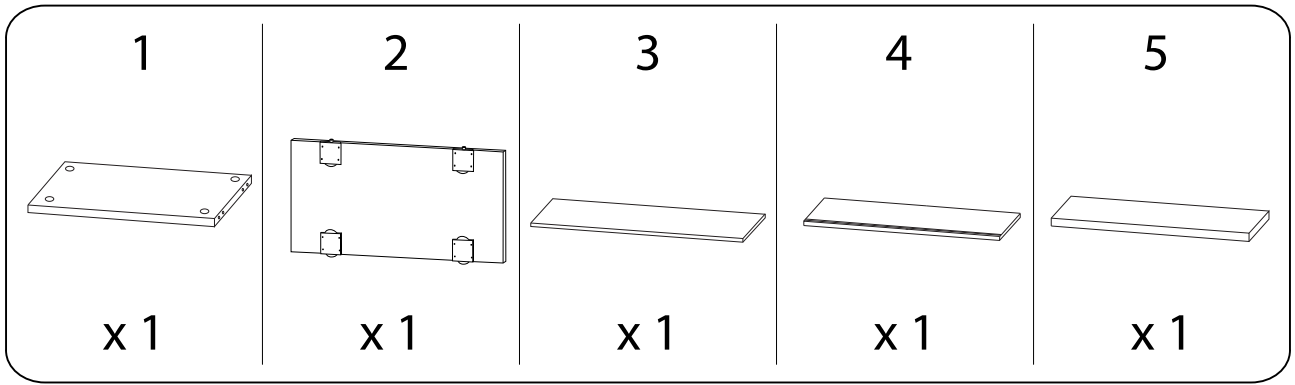
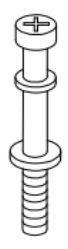


Assembly instructions for step 1/9:


- Tools:** An icon shows an Allen key and a screwdriver. A power drill is crossed out with a diagonal line, indicating it should not be used.
- Warning:** A triangle with an exclamation mark indicates a warning.
- Time:** A clock icon is shown above the number "40'", indicating an estimated assembly time of 40 minutes.
- Personnel:** An icon of a person is shown above the number "1", indicating that one person is required for assembly.



A

6
x
40
x 10

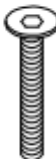
B

x 10

C

x 18


D

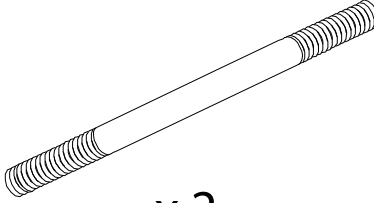
x 6

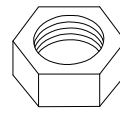
E

M6
x
60
x 6

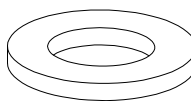
F

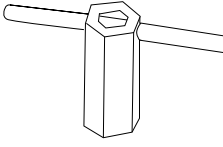
x 1

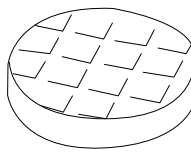
G

x 8

H

x 2

I

x 2

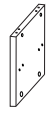
J

x 2

K

x 1

L

x 6

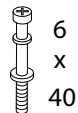
1 x2

7



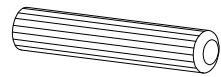
x1

A

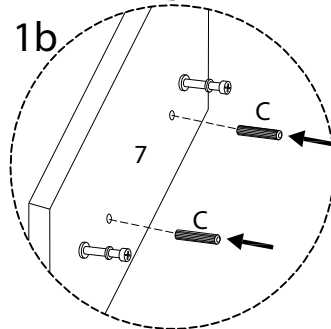
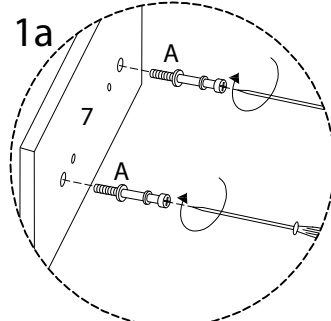
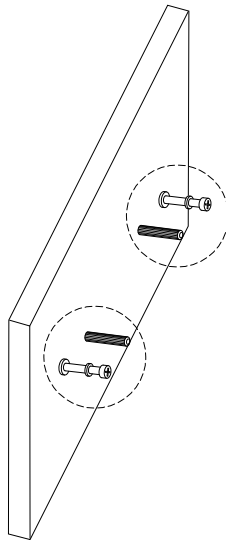


x2

C

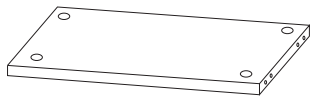


x2



2

1

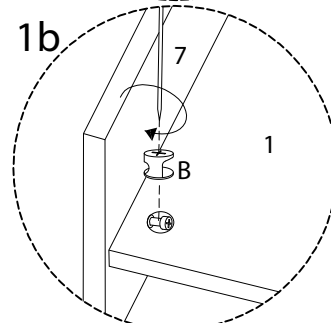
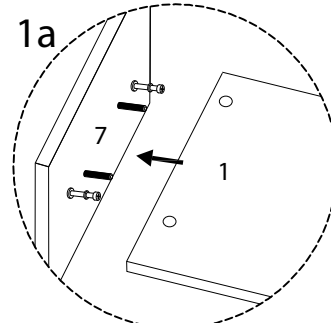
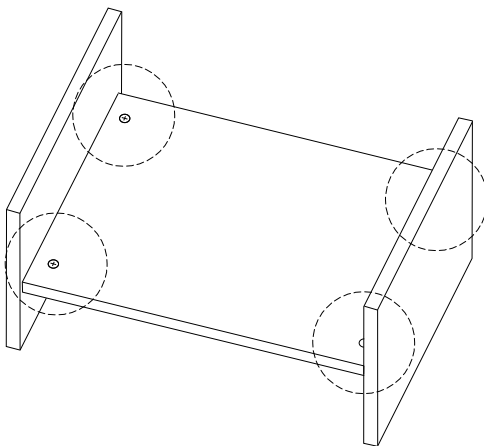


x1

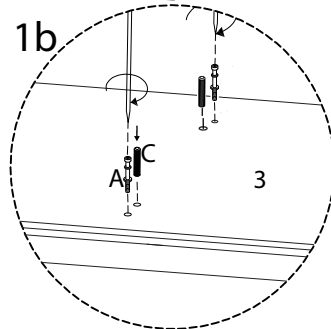
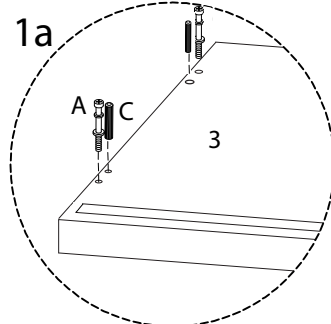
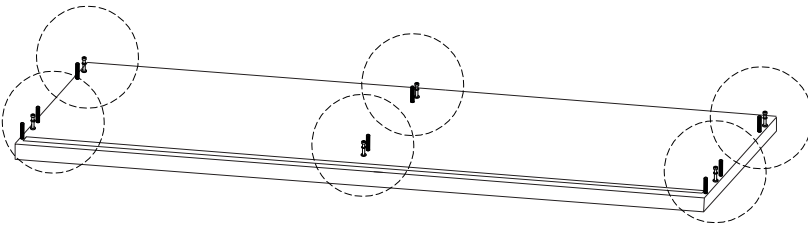
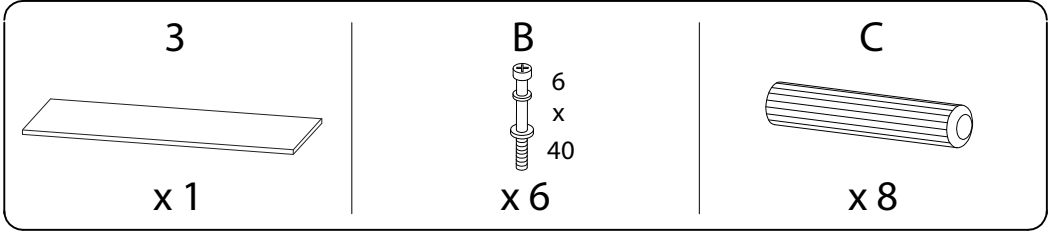
B



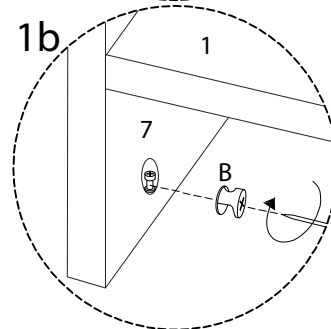
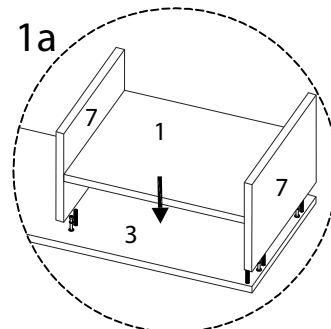
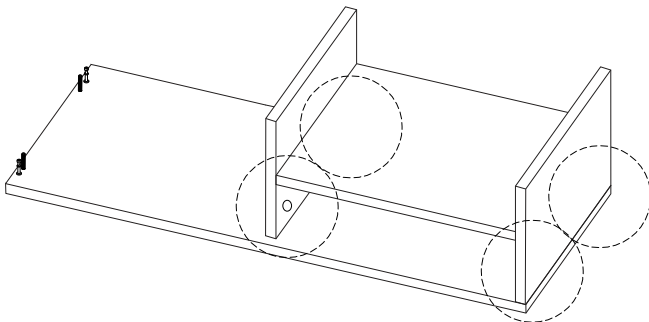
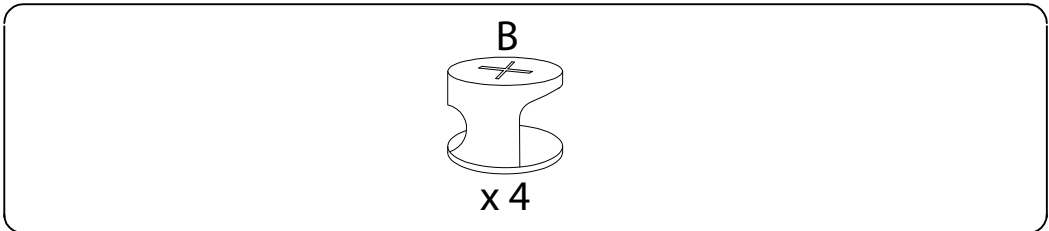
x4



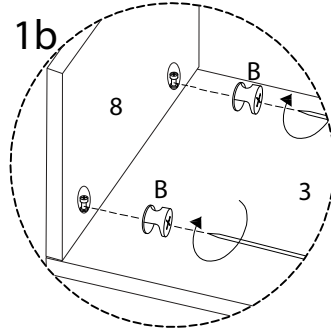
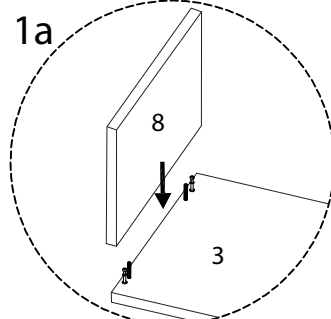
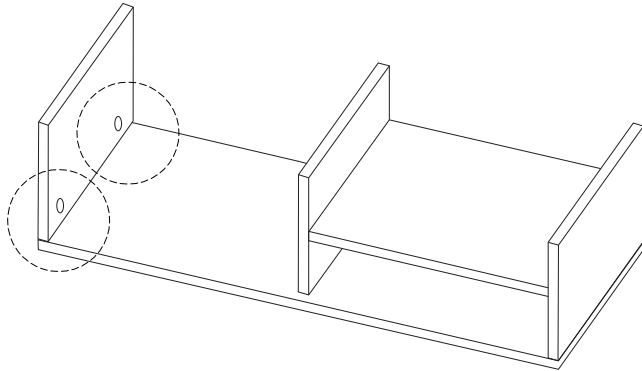
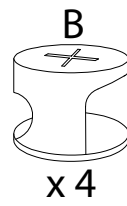
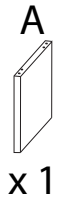
3



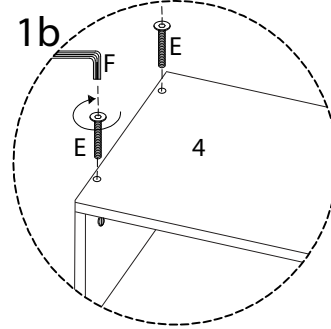
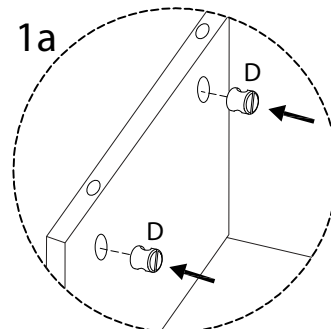
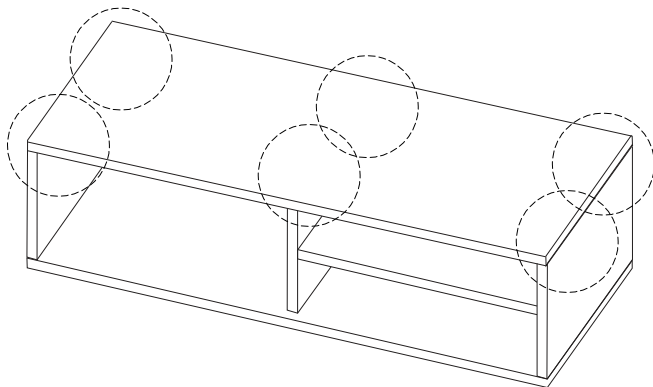
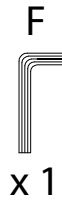
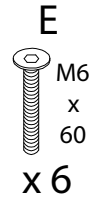
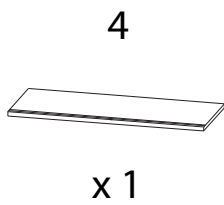
4



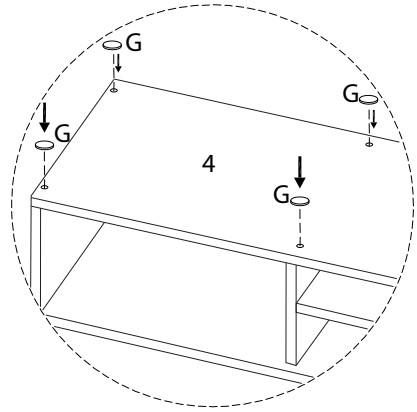
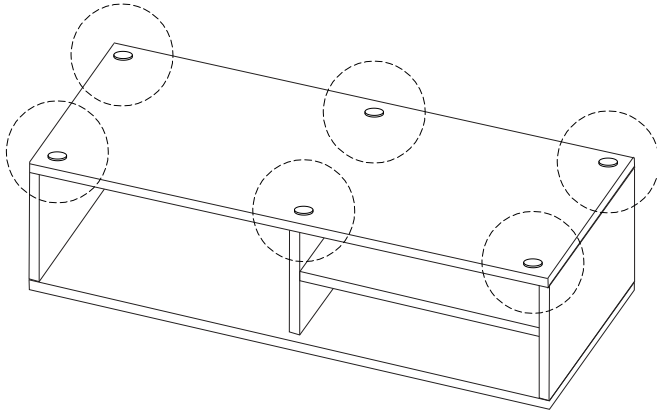
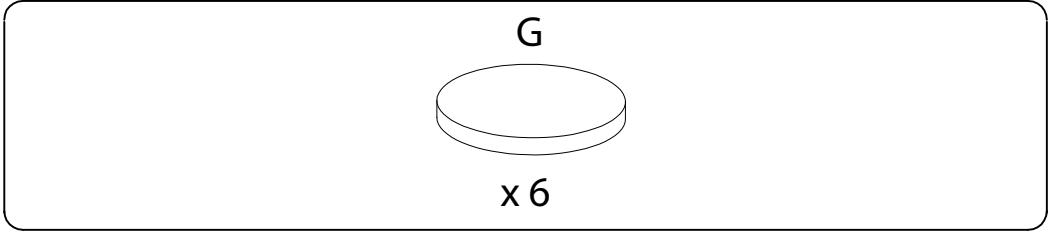
5



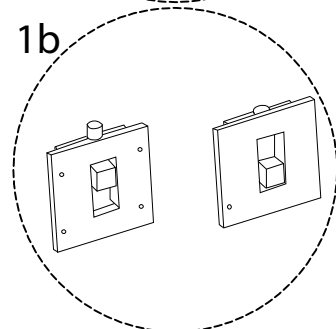
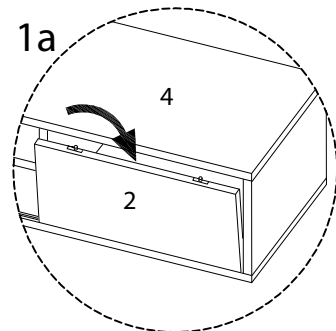
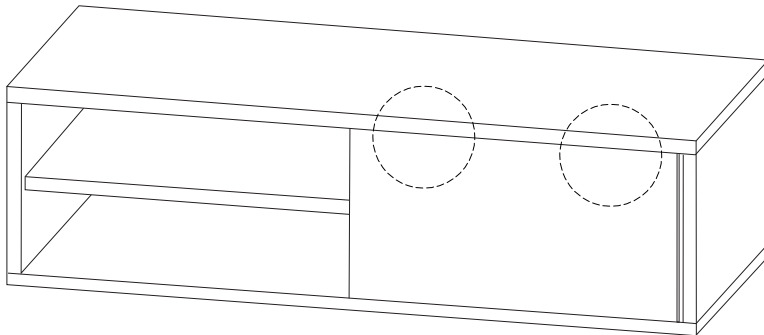
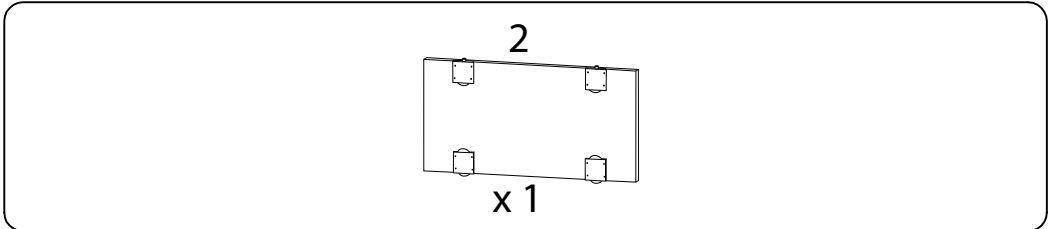
6



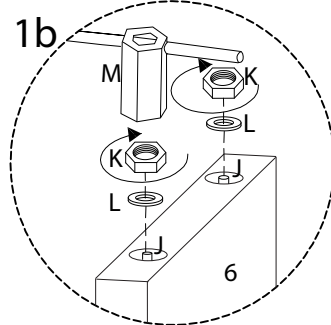
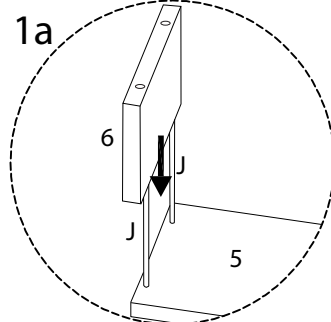
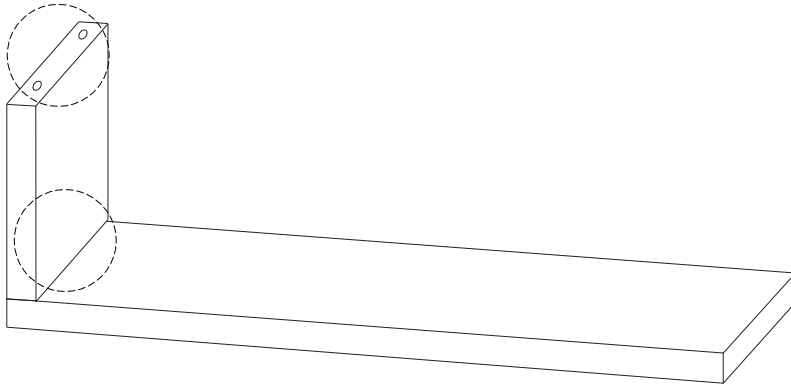
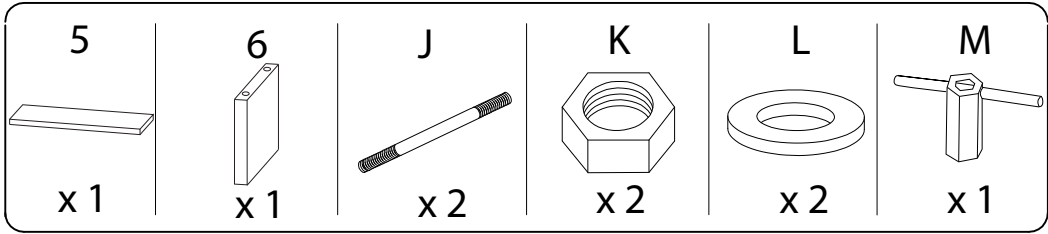
7



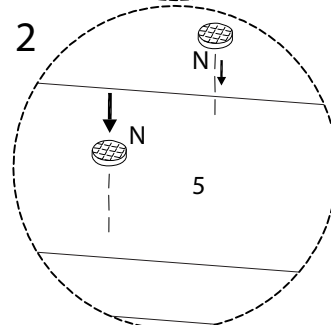
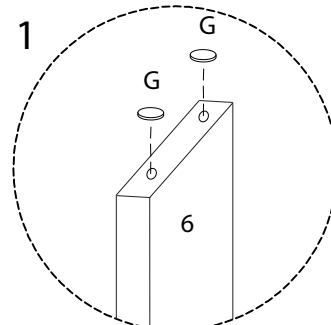
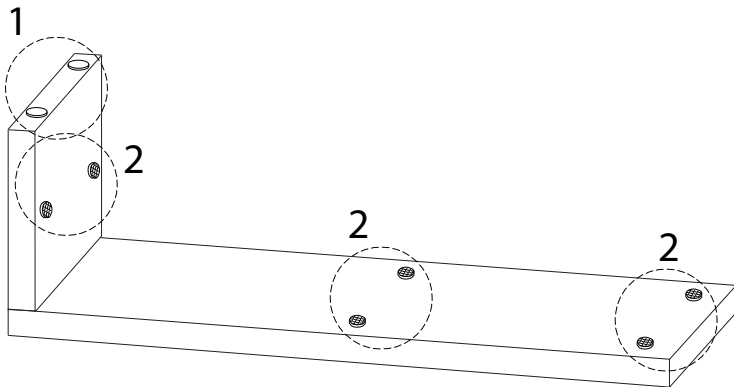
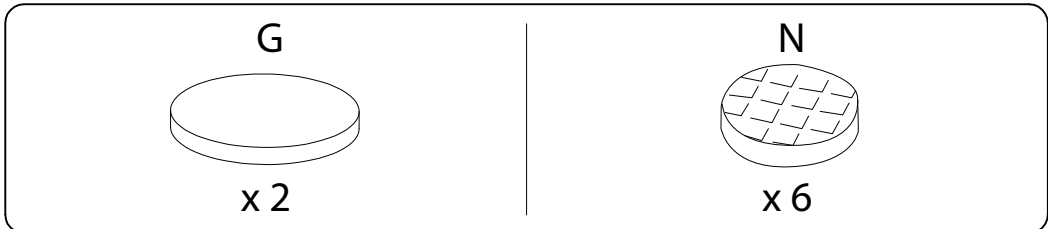
8



9



10



11

