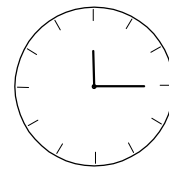
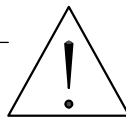
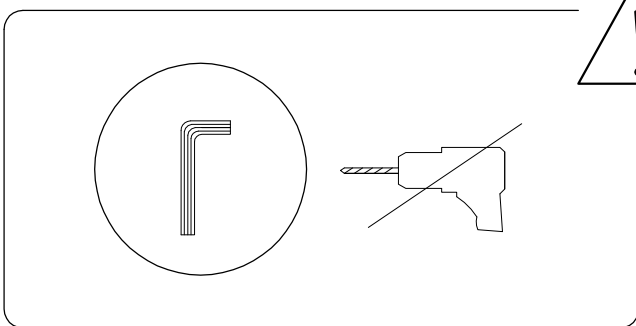
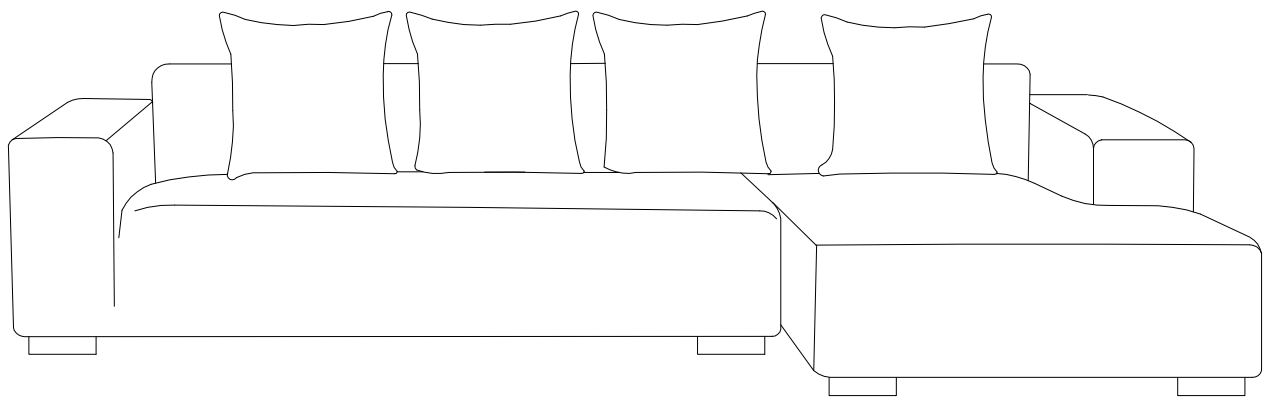
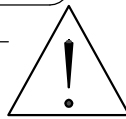
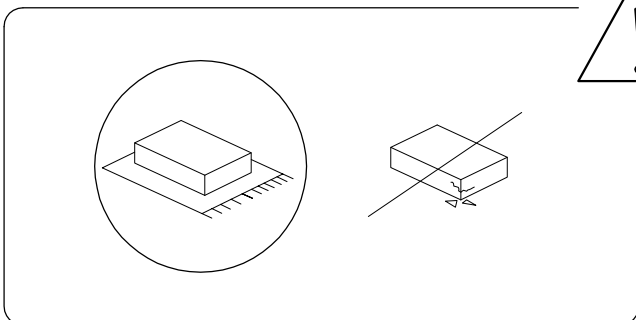


B

A

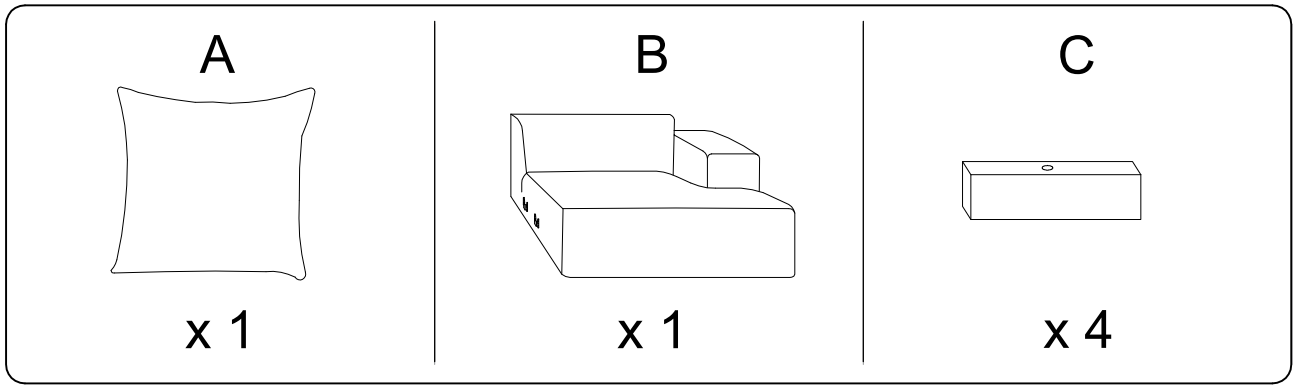


15'

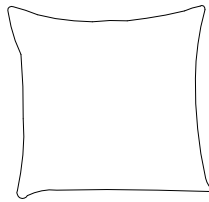


2

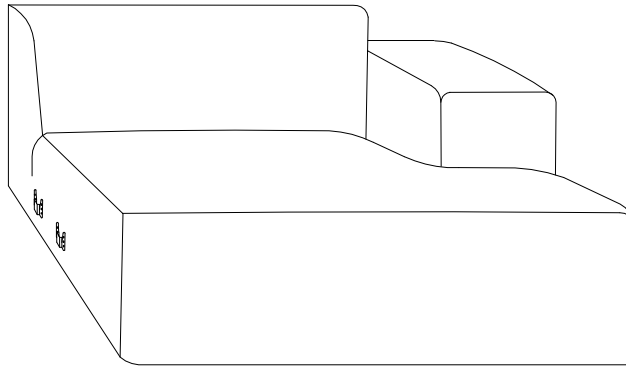
A



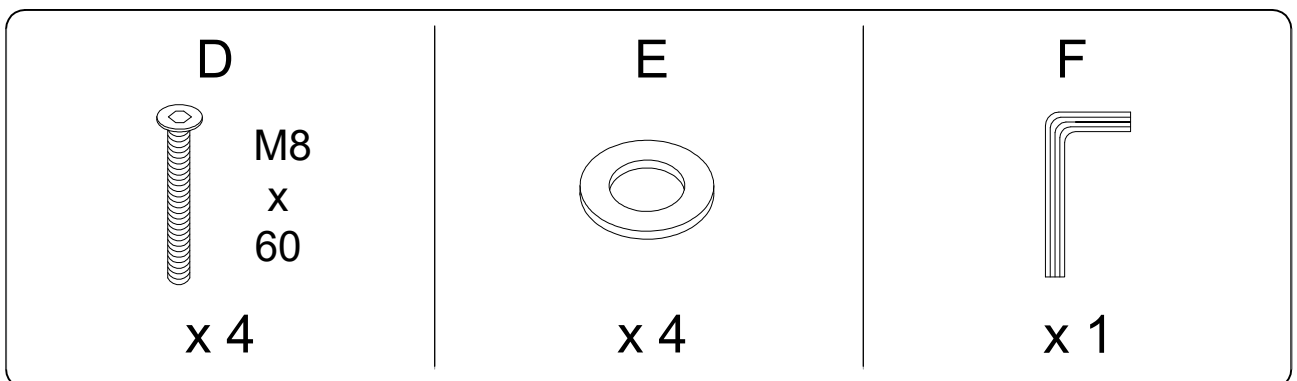
A



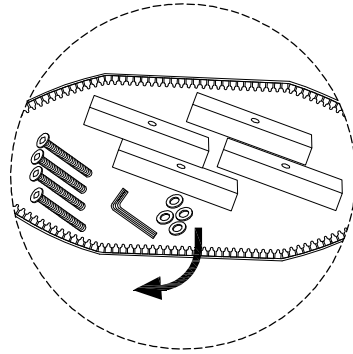
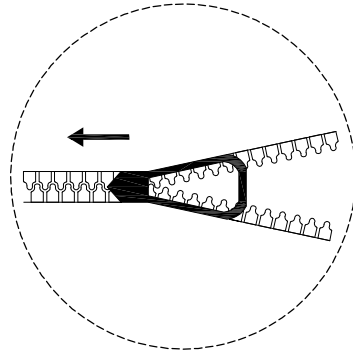
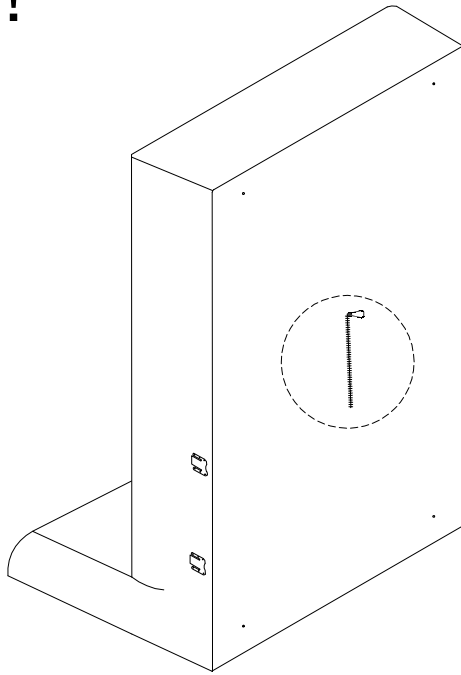
B



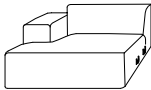
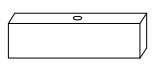
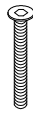
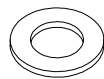

C x 4

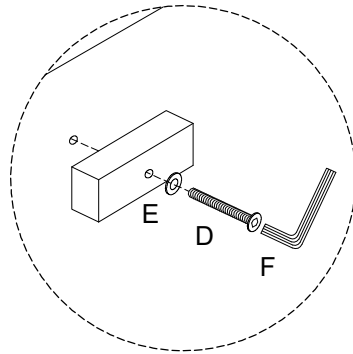
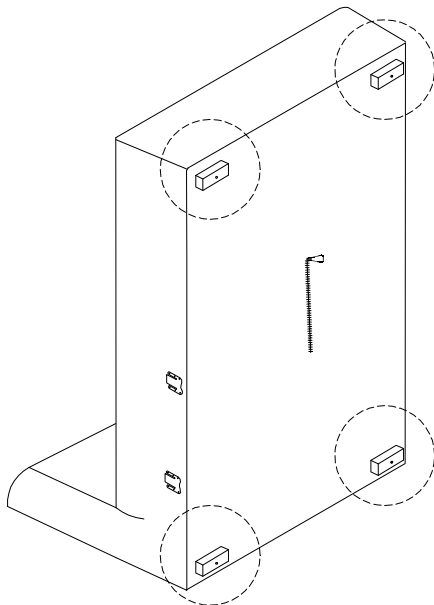


!

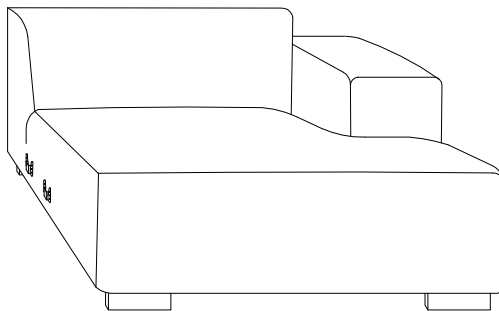
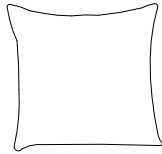
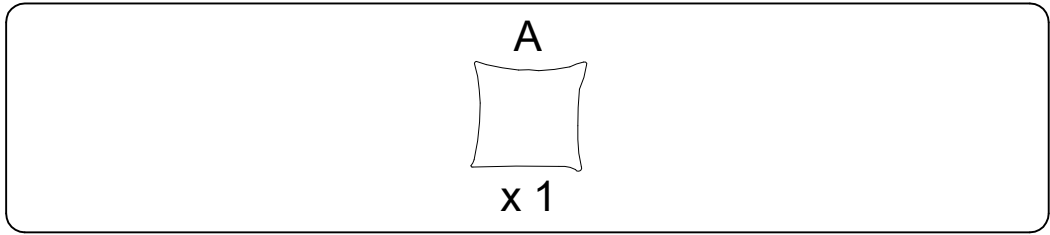


1

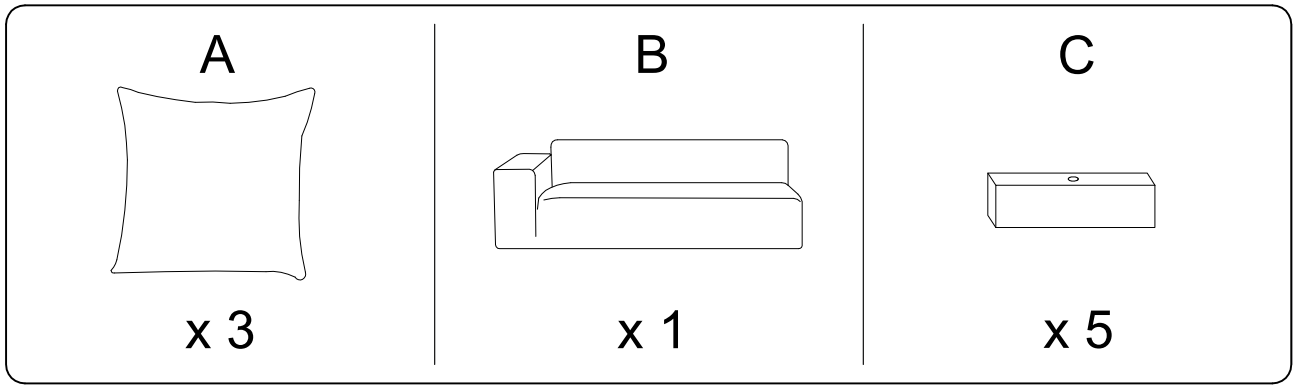
B  x 1	C  x 1	D  M8 x 60 x 4	E  x 4	F  x 1
--	--	---	--	--



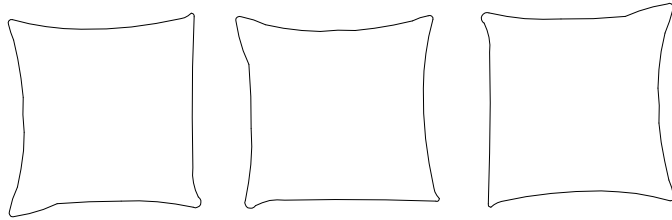
2



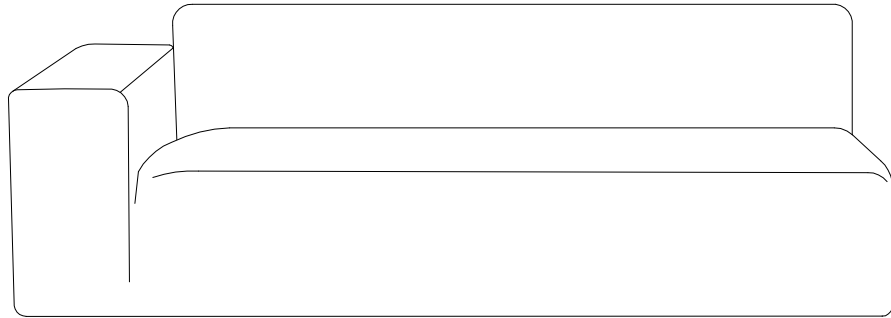
B



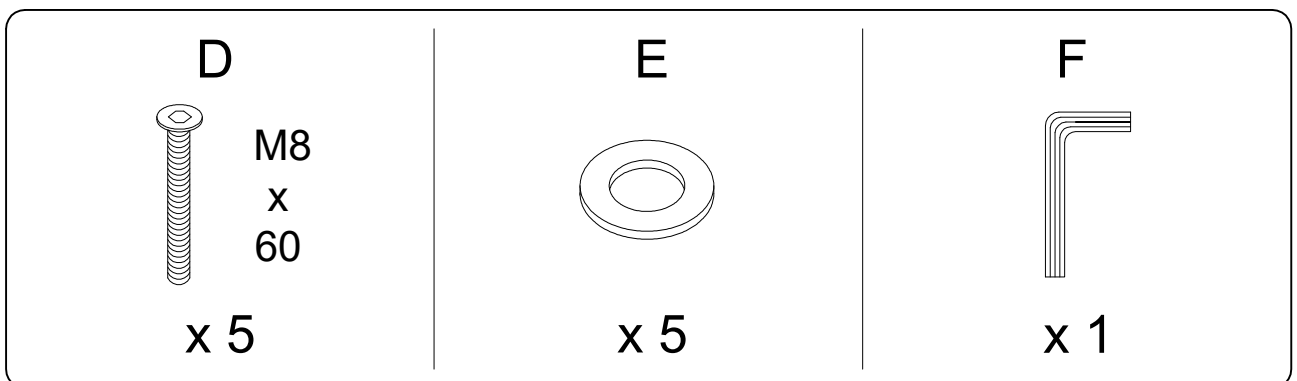
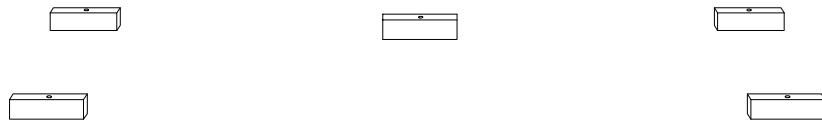
A x 3



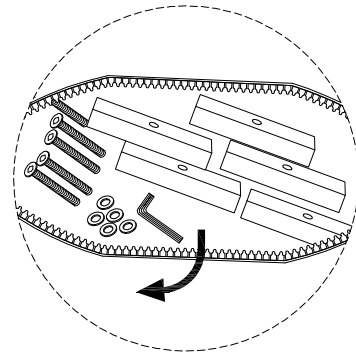
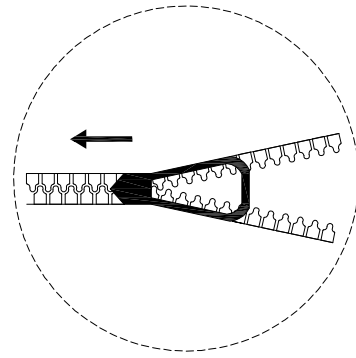
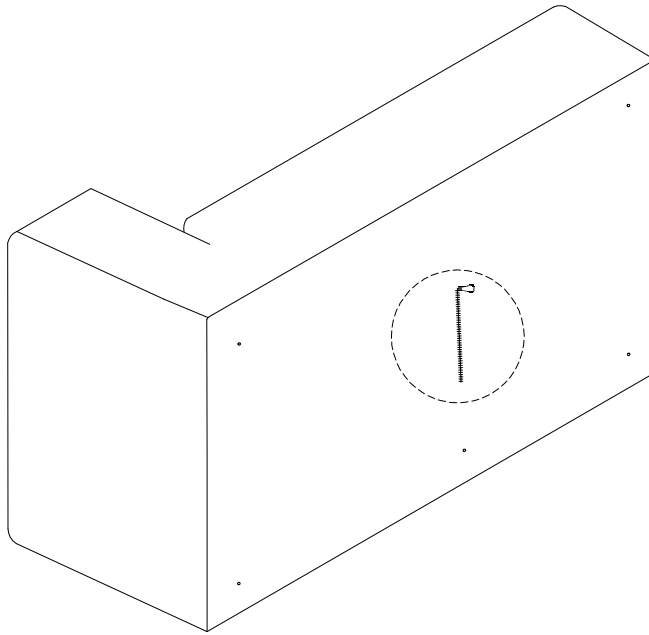
B



C x 5

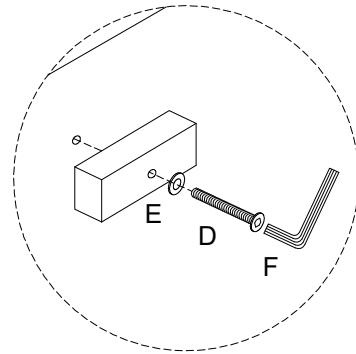
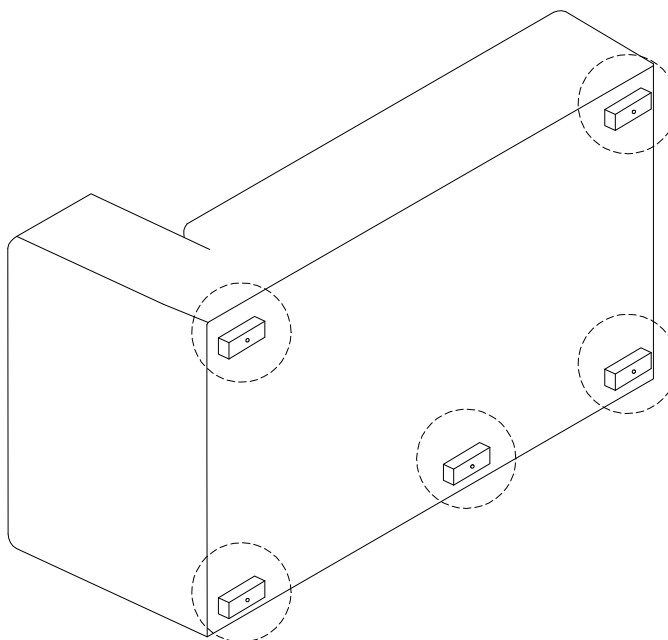


!

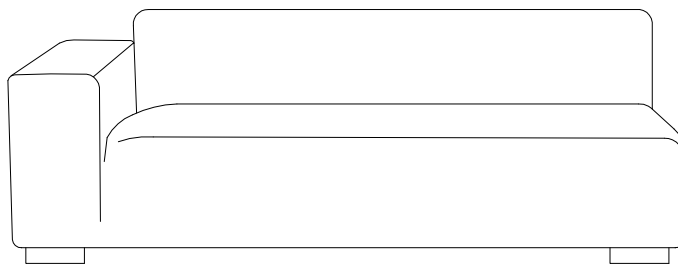
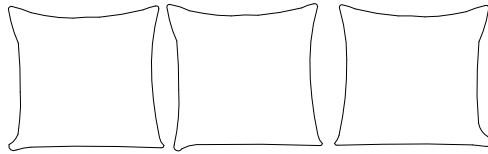
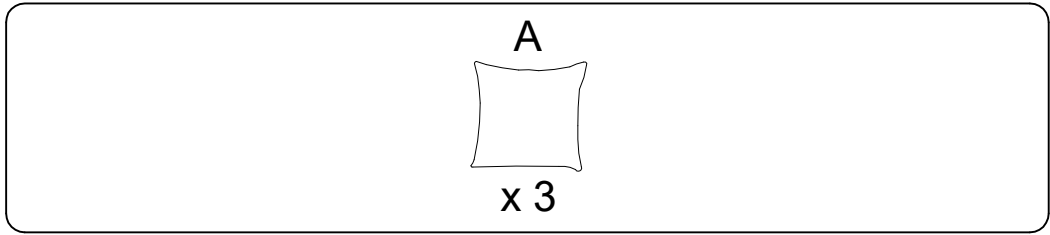


1

B x 1	C x 1	D M8 x 60 x 5	E x 5	F x 1
---------------------	---------------------	-----------------------------------	---------------------	---------------------



2



!

