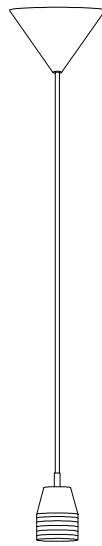
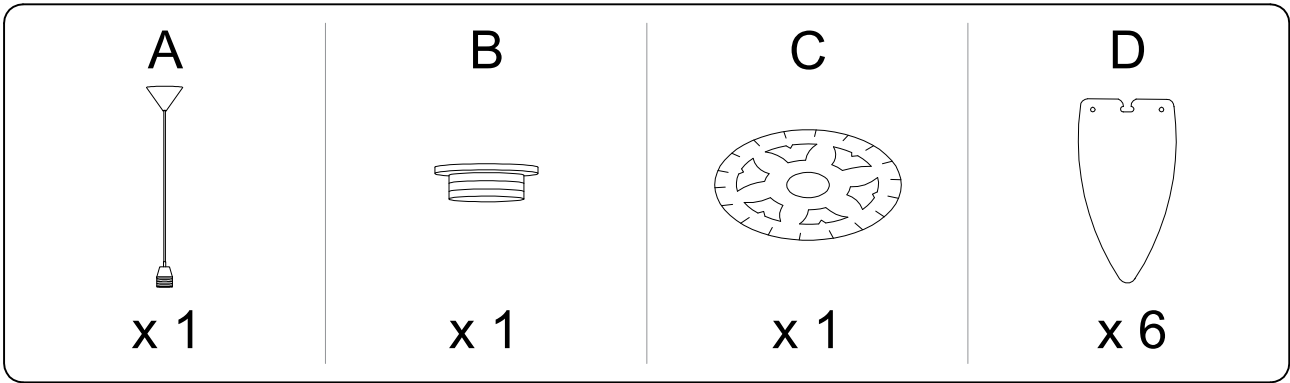


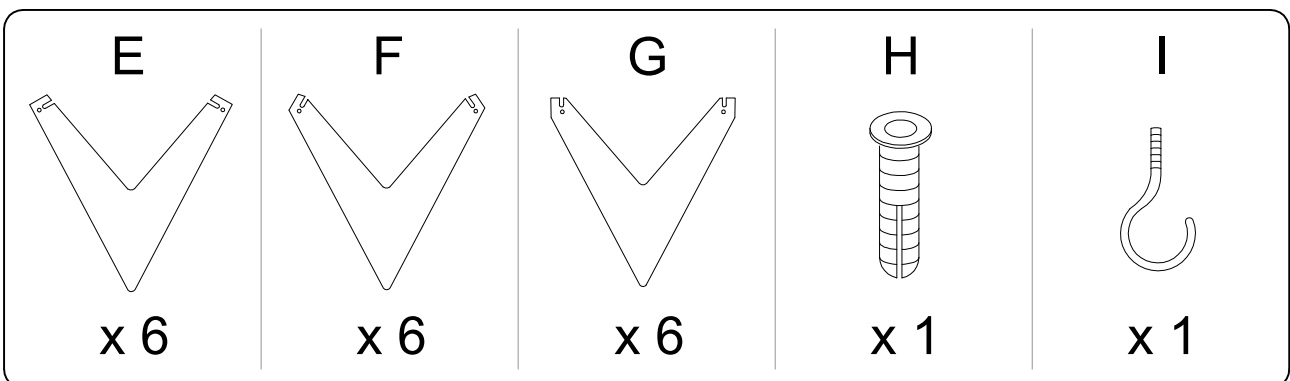
1/6



A

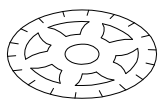


B



1

C

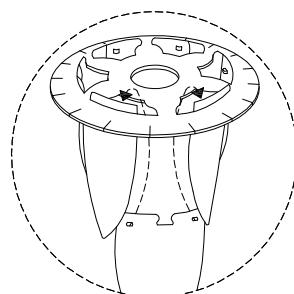
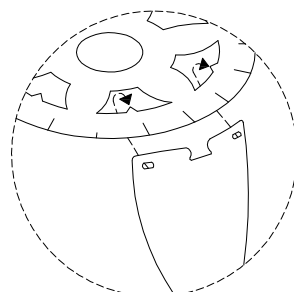
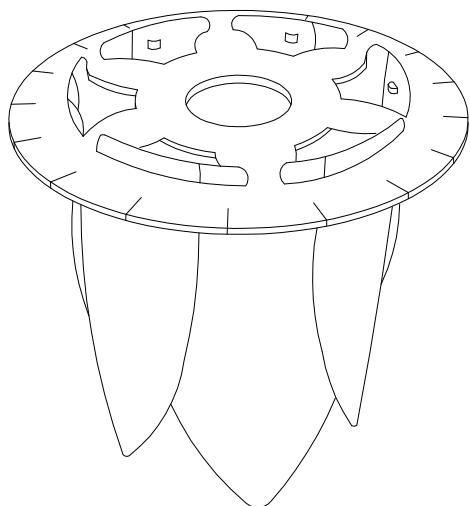


x 1

D

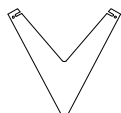


x 6

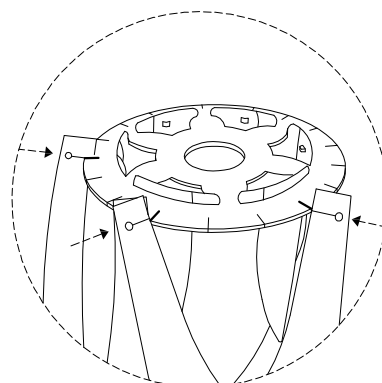
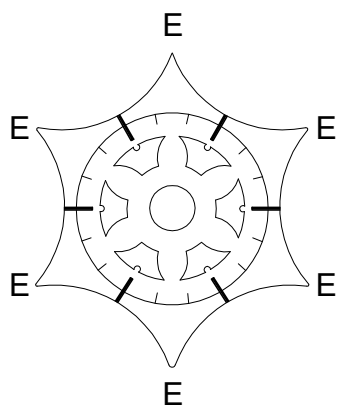
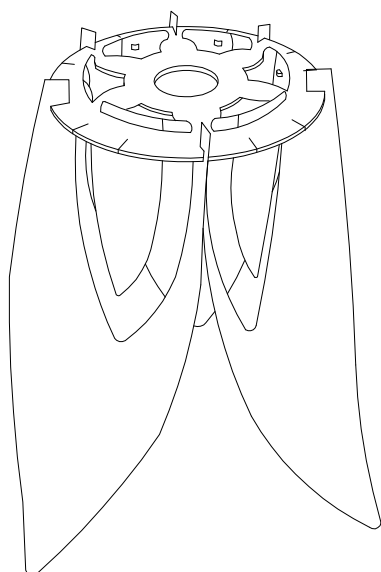


2

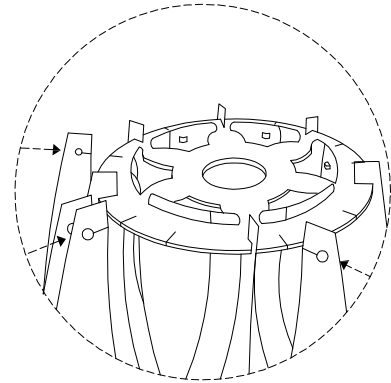
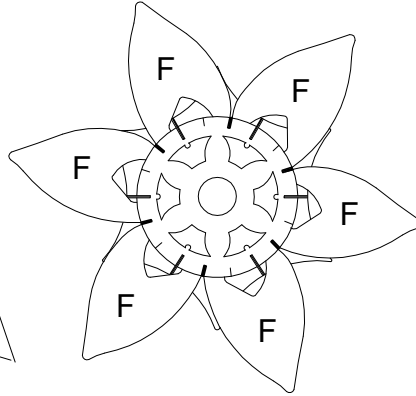
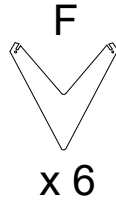
E



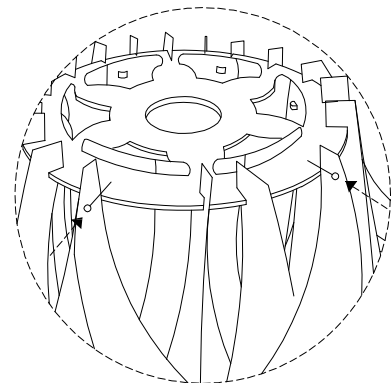
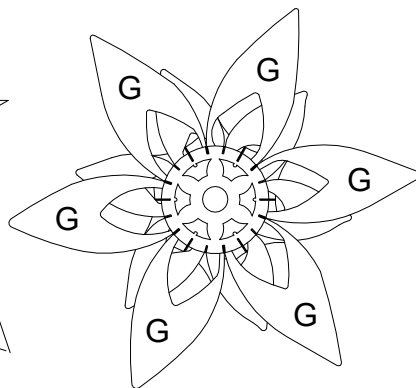
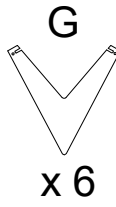
x 6



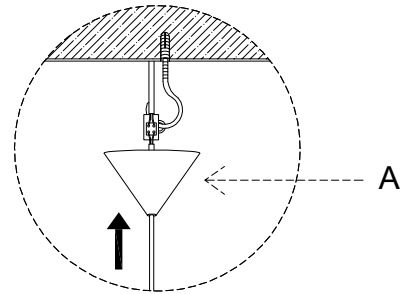
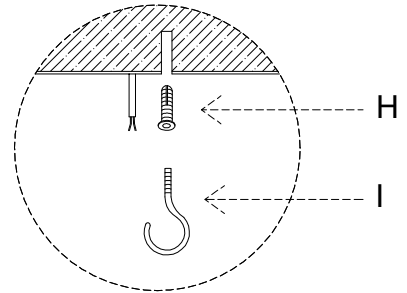
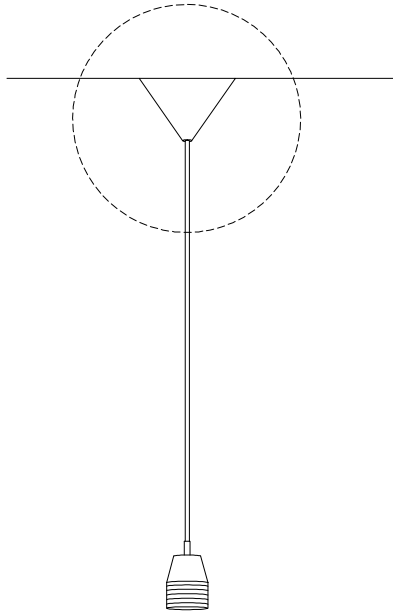
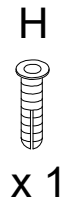
3



4

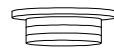


5

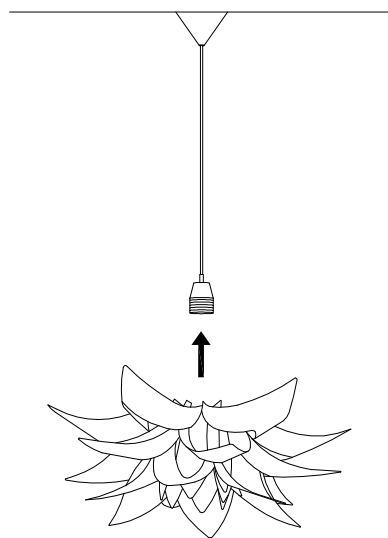


6

B



x 1



7

