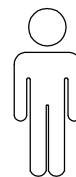
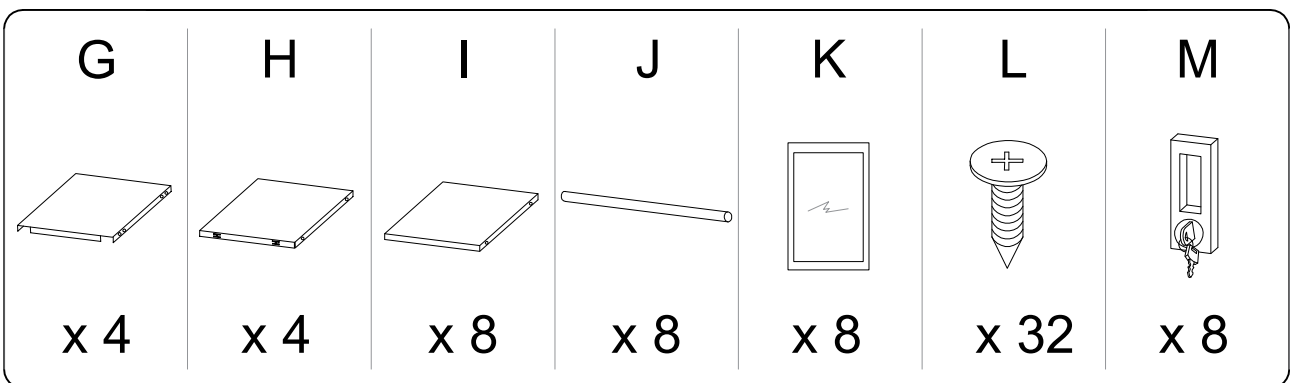
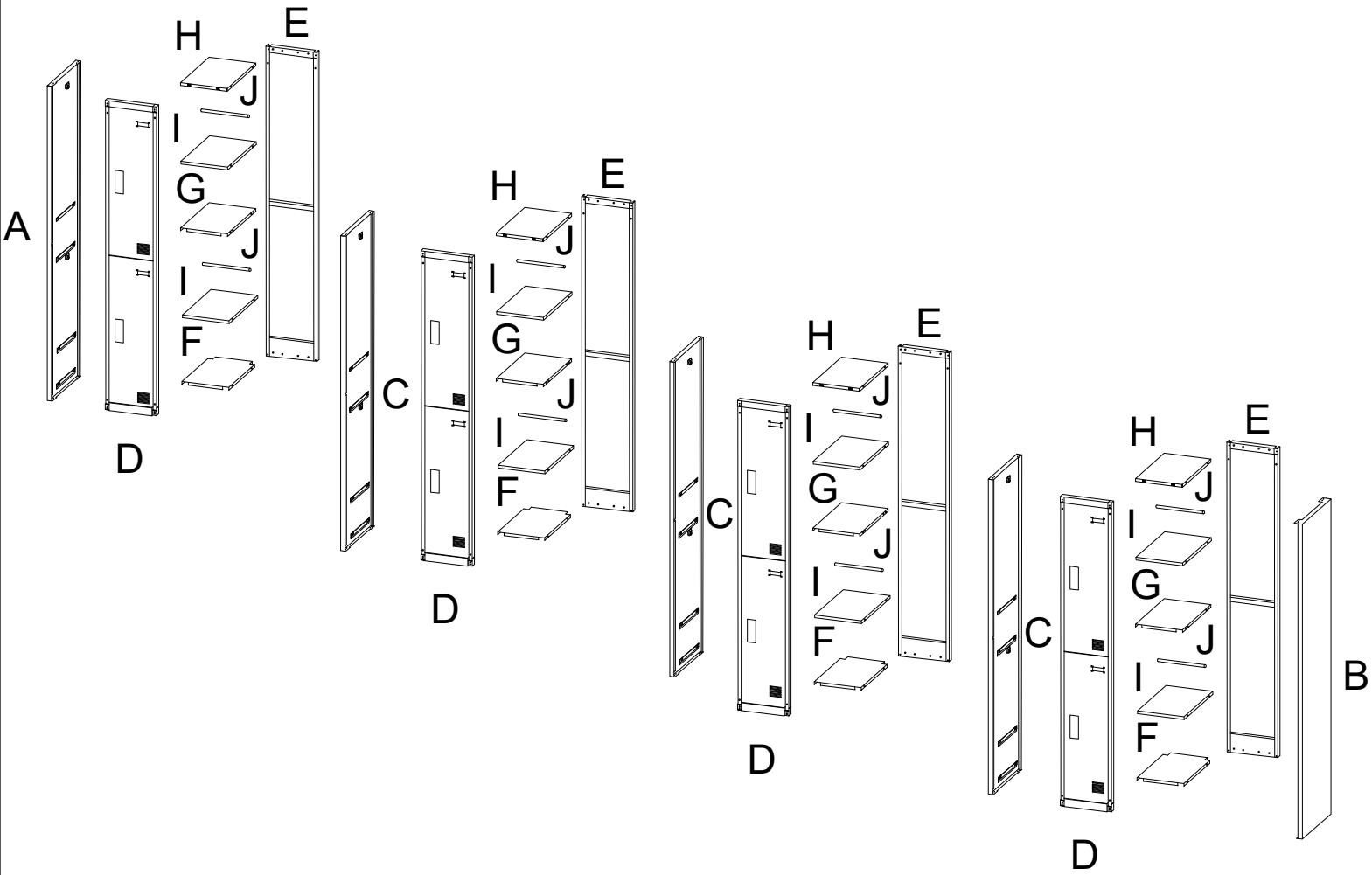
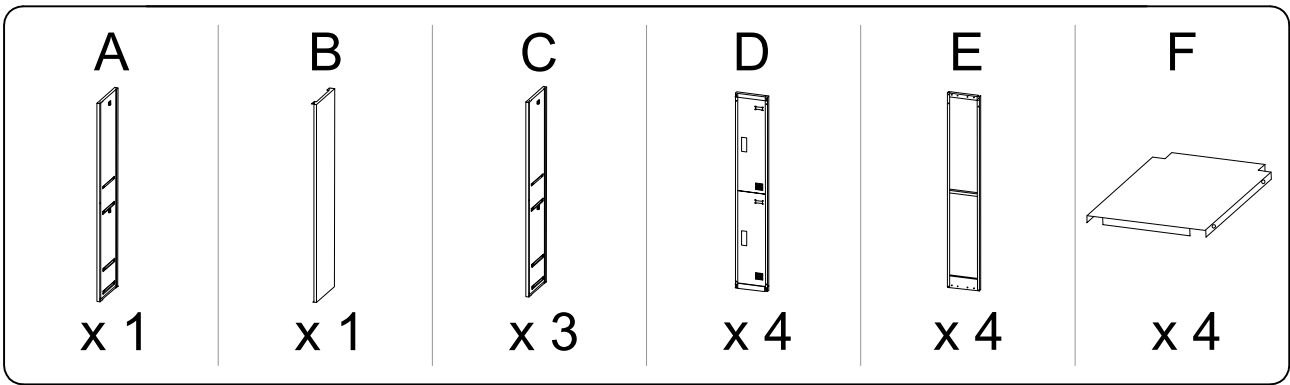


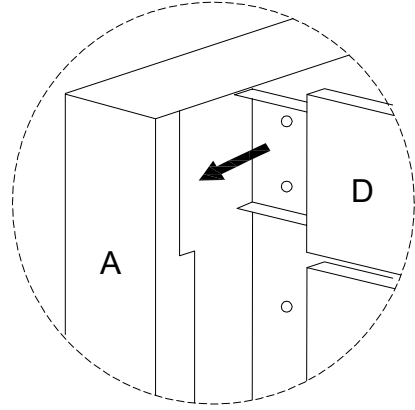
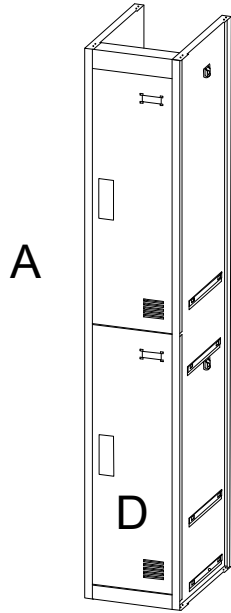
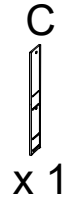
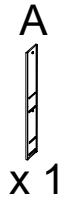
90'



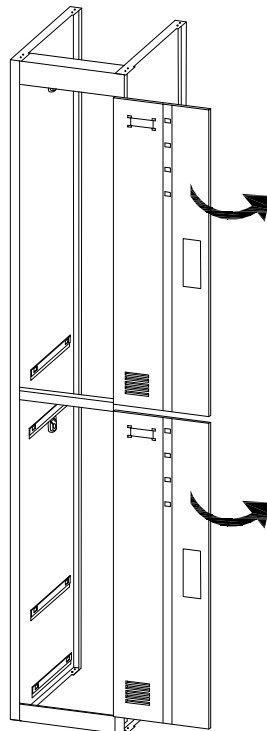
2



1



!



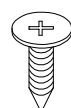
2

E

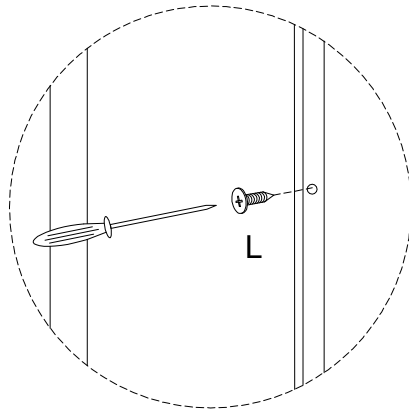
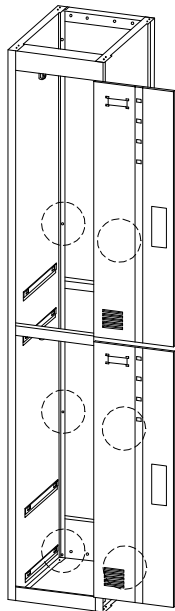


x 1

L

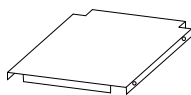


x 6



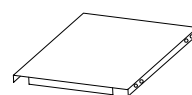
3

F

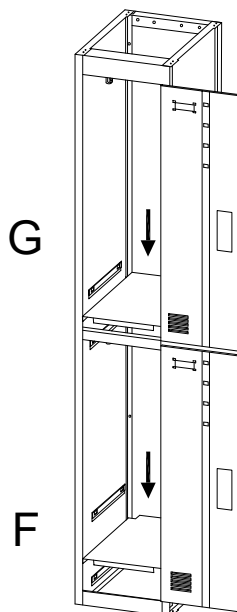


x 1

G



x 1



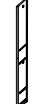
4

B



x 1

C

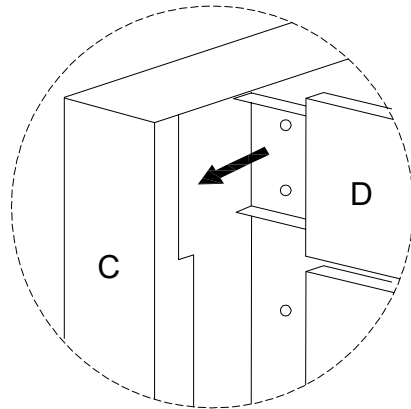
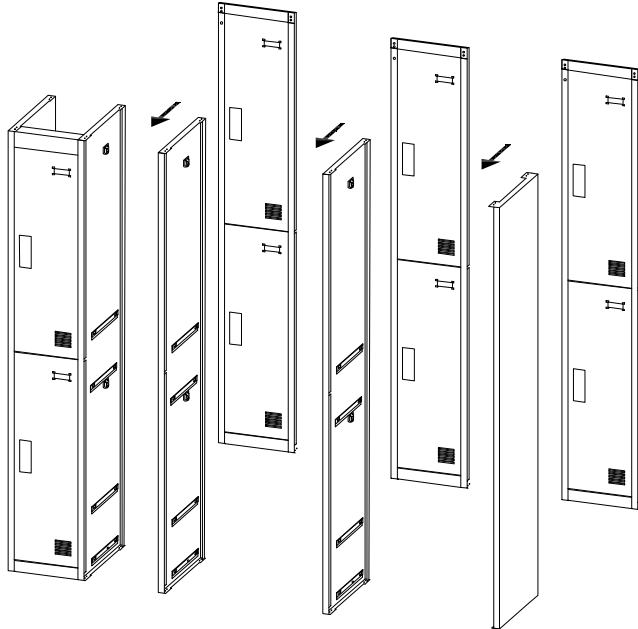


x 2

D



x 3



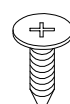
5

E

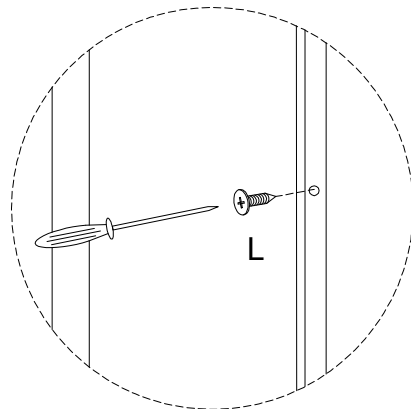
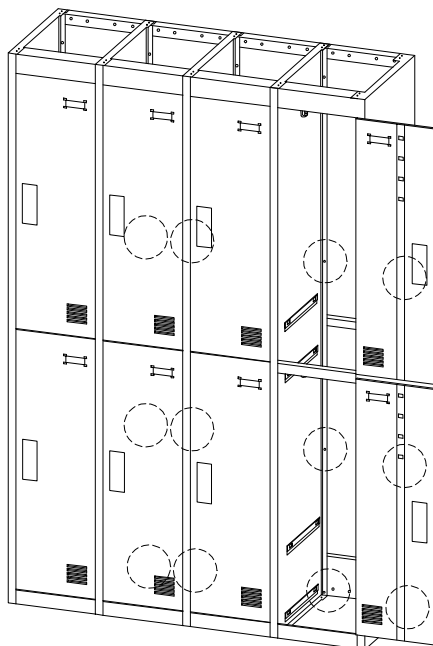


x 3

L

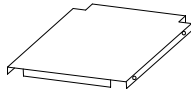


x 18



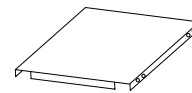
6

F

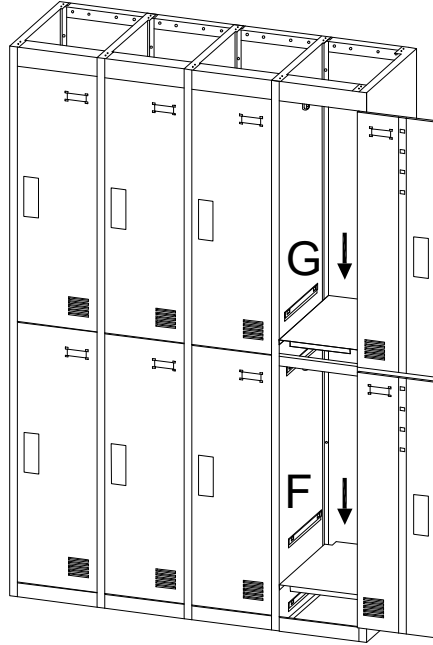


x 3

G



x 3



7

H

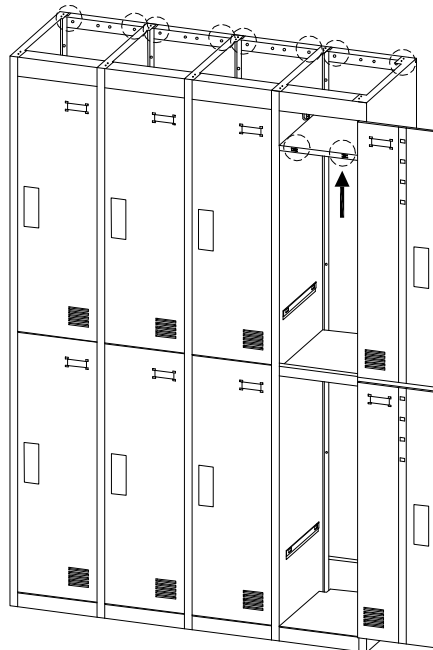


x 4

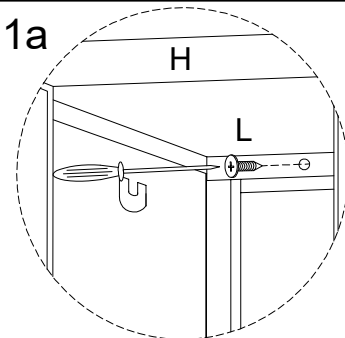
L



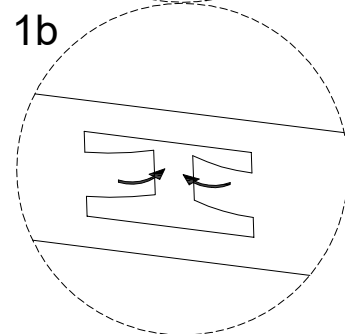
x 8



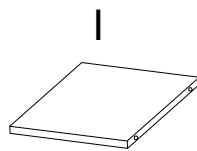
1a



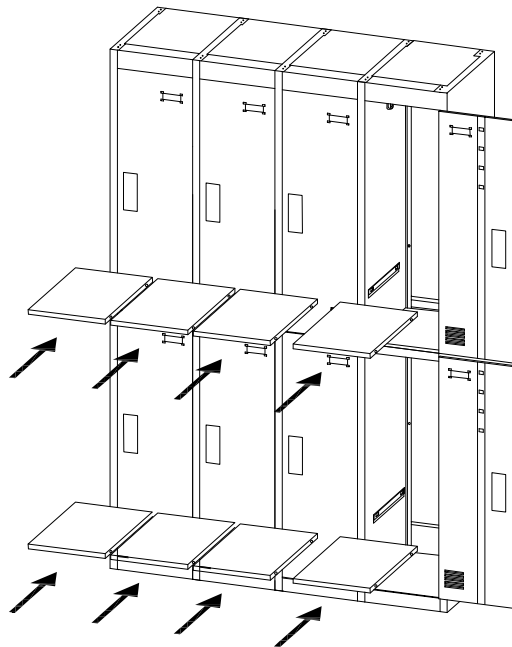
1b



8



x 8

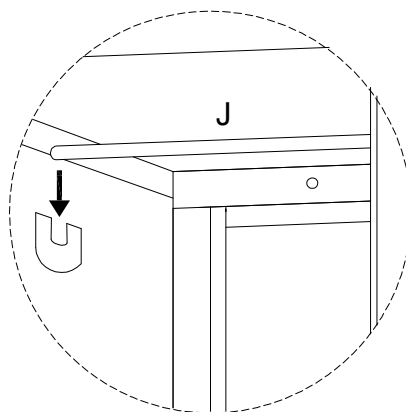
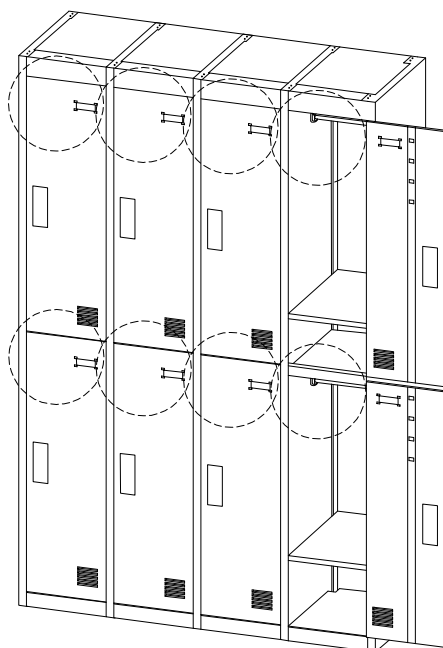


9

J



x 8

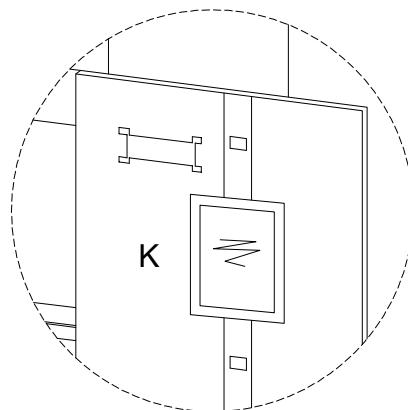
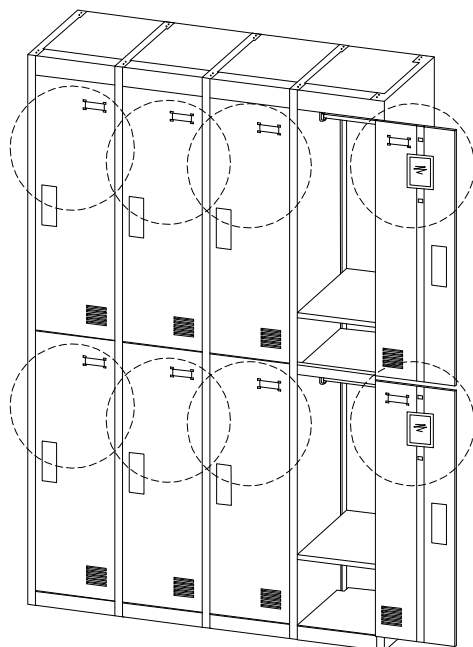


10

K



x 8



11

M



x 8

